



INSTALLATION MANUAL

ES-350-OWLCR-M

ES-350-OMLCR-L

ES-350-SNDBAR-30-BLK

ES-350-SNDBAR-40-BLK

ES-350-SNDBAR-50-BLK

ES-350-SNDBAR-60-BLK

ES-550-SNDBAR-40-BLK

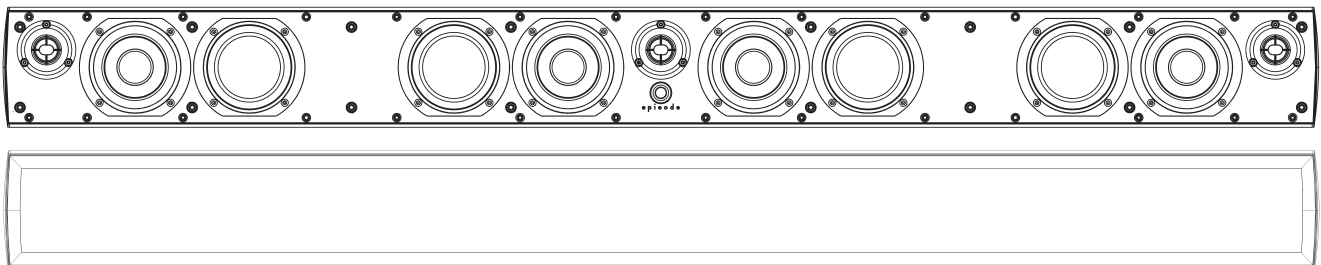
ES-550-SNDBAR-50-BLK

ES-550-SNDBAR-60-BLK

ES-550T-SNDBR-40-BLK

ES-550T-SNDBR-50-BLK



ES-550T-SNDBR-60-BLK





**All images show ES-350-SNDBAR-60 inch model unless otherwise noted*

REAL. LIFE. SOUND.

	CAUTION Risk of Electrical Shock! DO NOT OPEN!	
ATTENTION ! RISQUE DE CHOC ! ÉLECTRIQUE PAS OUVRIR !		

	The lightning flash with arrowhead symbol, within an equilateral triangle, is intended to alert the user to the presence of uninsulated dangerous voltage within the product's enclosure that may be of sufficient magnitude to constitute a risk of electric shock to persons.
	The exclamation point within an equilateral triangle is intended to alert the user to the presence of important operating and maintenance (servicing) instructions in the literature accompanying the appliance.

- A. Read these instructions.
- B. Keep these instructions.
- C. Heed all warnings.
- D. Follow all instructions.
- E. Do not use this apparatus near water.
- F. Clean only with dry cloth.
- G. Do not block any ventilation openings. Install in accordance with the manufacturer's instructions.
- H. Do not install near any heat sources such as radiators, heat registers, stoves, or other apparatus (including amplifiers) that produce heat.
- I. Do not defeat the safety purpose of the polarized or grounding type plug. A polarized plug has two blades with one wider than the other. A grounding type plug has two blades and a third grounding prong. The wide bladed or the third prong are provided for your safety. If the provided plug does not fit into your outlet, consult an electrician for replacement of the obsolete outlet.
- J. Protect the power cord from being walked on or pinched particularly at plugs, convenience receptacles, and the point where they exit from the apparatus.
- K. Only use attachments/accessories specified by the manufacturer.
- L.  Use only with the cart, stand, tripod, bracket, or table specified by the manufacturer, or sold with the apparatus. When a cart is used, use caution when moving the cart/apparatus combination to avoid injury from tip-over.
- M. Unplug this apparatus during lightning storms or when unused for long periods of time.
- N. Refer all servicing to qualified service personnel. Servicing is required when the apparatus has been damaged in any way, such as power-supply cord or plug is damaged, liquid has been spilled or objects have fallen into the apparatus, the apparatus has been exposed to rain or moisture, does not operate normally, or has been dropped.
- O. The equipment shall be used at maximum 45 degree C ambient temperature.
- P. To reduce the risk of electrical shock, do not open the equipment. For safety reasons it is only allow to the opened by qualified service personnel.
- Q. **WARNING:** To reduce the risk of fire or electric shock, do not expose this apparatus to rain or moisture. Additionally, the apparatus shall not be exposed to dripping or splashing and no objects filled with liquids shall be placed on the apparatus.
- R. The mains plug is used as the disconnect device and shall remain readily operable.
- S. The product shall be used on open bench.
- T. No naked flame sources, such as lighted candles, should be placed on the apparatus.
- U.  The apparatus should be connected to a mains socket outlet with a protective earthing connection.

OVERVIEW

Welcome to Episode® Speakers. We appreciate your purchase and are committed to providing the highest-quality products possible.

The Episode® Soundbar models are a superb choice for almost every type of home theater or home audio installation. They have been designed with advanced technological components that allow for high performance and a lifetime of enjoyment.

IMPORTANT INSTRUCTIONS AND CONSIDERATIONS

Read and understand all instructions.

Before beginning installation, carefully plan location accounting for potential electrical, plumbing or other obstacles.

RECOMMENDED AMPLIFIER POWER

To get the best performance from the Soundbar, an amplifier or receiver with the following power rating is recommended:

ES-350-OWLCR-M – between 20 and 100 Watts RMS per channel

ES-350-OMLCR-L – between 20 and 100 Watts RMS per channel

ES-350-SNDBAR-30-BLK – between 20 and 100 Watts RMS per channel

ES-350-SNDBAR-40-BLK – between 20 and 100 Watts RMS per channel

ES-350-SNDBAR-50-BLK – between 20 and 100 Watts RMS per channel

ES-350-SNDBAR-60-BLK – between 20 and 100 Watts RMS per channel

ES-550-SNDBAR-40-BLK – between 20 and 100 Watts RMS per channel

ES-550-SNDBAR-50-BLK – between 20 and 100 Watts RMS per channel

ES-550-SNDBAR-60-BLK – between 20 and 100 Watts RMS per channel

ES-550T-SNDBR-40-BLK – between 20 and 100 Watts RMS per channel

ES-550T-SNDBR-50-BLK – between 20 and 100 Watts RMS per channel

ES-550T-SNDBR-60-BLK – between 20 and 100 Watts RMS per channel

SPEAKER WIRE

To connect the Soundbar to an AV Receiver or Amplifier, high-quality 14 to 16 gauge stranded speaker wire is recommended. The wire may be connected directly to the speaker's removable screw-down terminals. Remember that you will need 3 runs of speaker wire to the Soundbar location as it contains the left, center, and right speaker. A special wire management channel has been included in the rear of the speaker so that a wall mounted speaker can sit flush on the wall.

FEATURES

- Replaces Left, Center, and Right channels in one convenient speaker
- Extremely Low-Profile, Extruded Aluminum Cabinet
- Knockout for Hidden IR Receiver
- Flexible Mounting Options
 - Cabinet Top or Shelf Placement with included kickstands
 - On-Wall with included mounting plate
 - Flat-Screen with optional accessory that attaches to TV mount

WHAT'S INCLUDED

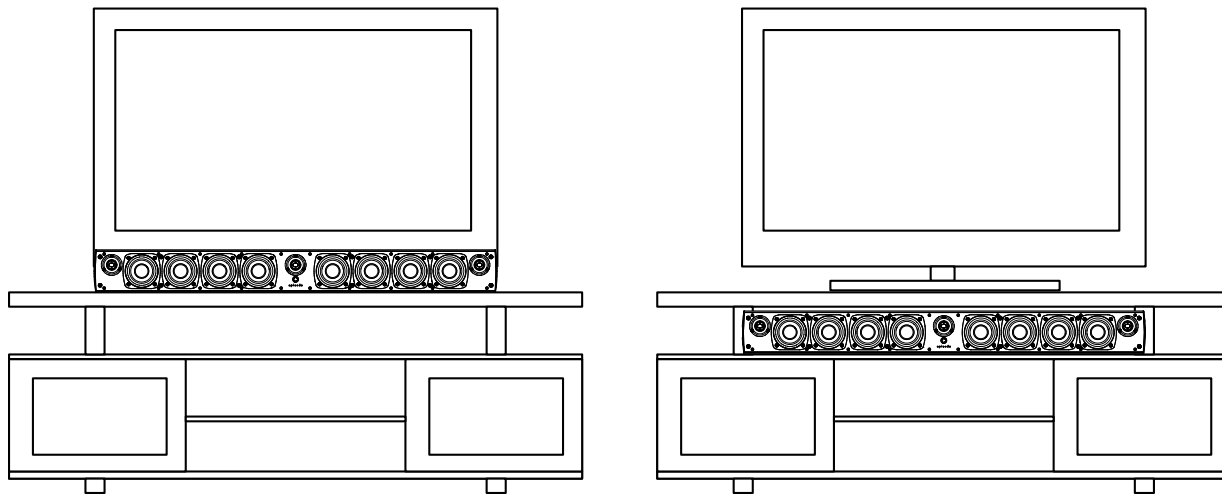
- (1) ES-350-SNDBAR-XX, ES-550-SNDBAR-XX, or ES-550T-SNDBR-50
- (2) Kickstands for Cabinet placement
- (2) Shoulder bolts for Kickstand and Wall Plates
- (2) Large Flat Washers for Kickstands
- (2) Rubber Feet
- (1) Wall Plate Bracket with adjustable knobs
- (4) Wood Screws for Wall Plate
- (4) Small Flat Washers for Wall Plate
- (1) IR Receiver Spacer

INSTALLATION

SPEAKER PLACEMENT

The ES passive series of soundbars are designed to be the Left, Center, and Right speakers of a home theater surround system. For most applications, placement should be below a flat screen TV on a cabinet top or shelf. Other options for placement include On-Wall using the included bracket, or attached to a Flat Panel mount using the optional Strong mount bracket.

INSTALLING ON OR IN A CABINET

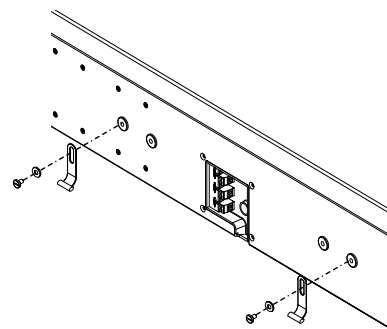


Considerations for Placement

When placing the Soundbar on a cabinet shelf, the front edge of the speaker should be flush with the front of the shelf. Placing the speaker further back on the shelf will degrade the sound quality of the speaker.

Attaching the Kickstand

The kickstand for the Soundbar allows for the angle of the Soundbar to be adjusted to maintain proper audio performance. When placing the Soundbar, adjust the kickstand height to angle the Soundbar towards the listener's ears. See **Adjusting the Kickstand** for more information.

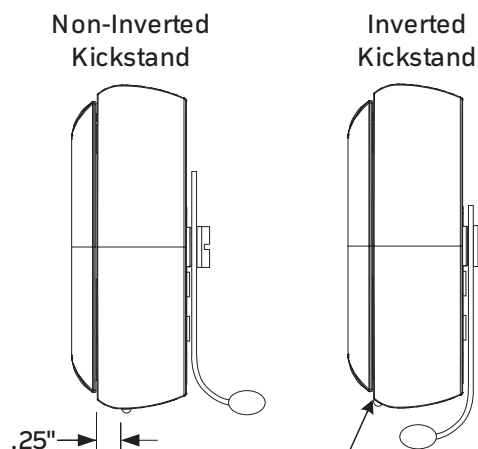


1. Place the included Kickstands on the rear of Soundbar as shown.
2. Using a shoulder bolt and washer for each Kickstand, tighten to secure the Kickstand to the Soundbar.

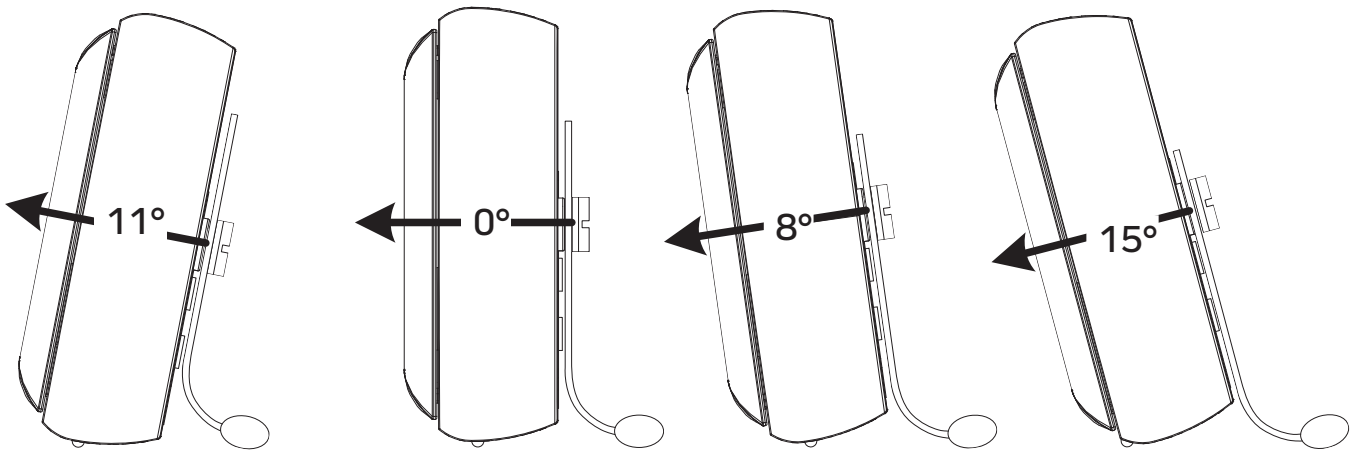
Attaching the Feet

To ensure that the Soundbar will not slip when using the kickstands, (2) rubber feet have been included. The feet must be installed when using the kickstand. Place the feet 3" from the left and right outer edge, and 1/4" from the front edge of the Soundbar.

Note: When using the kickstand in the inverted position, the feet should be placed at the front edge of the speaker

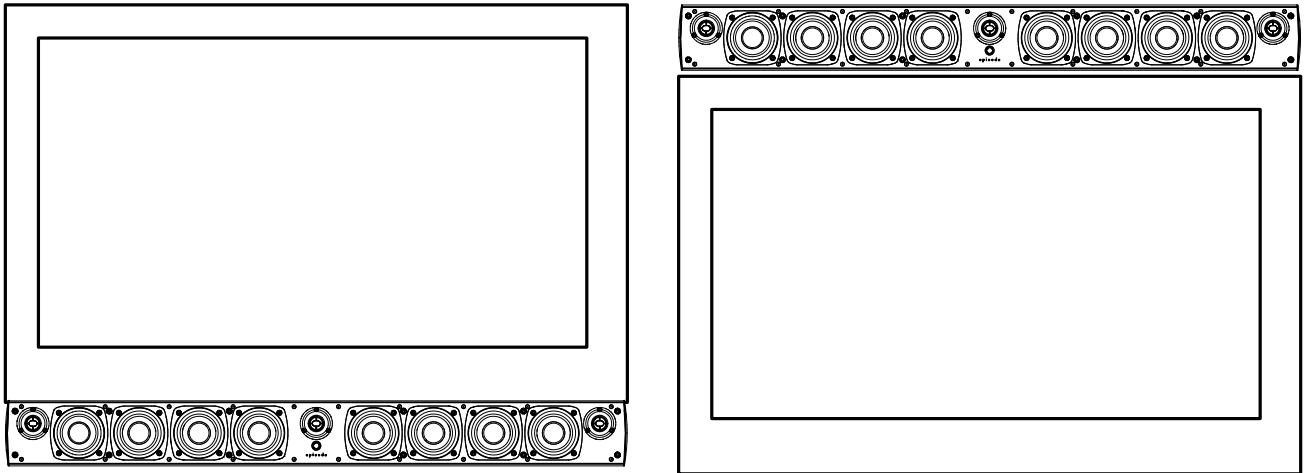


Adjusting the Kickstand



After installing the kickstand and placing the Soundbar, adjust the angle of the speakers towards the listener's ears. If the speakers point away from the listener's ears, slide the kickstand up or down to achieve the proper angle. Note that the kickstand can be inverted when the Soundbar is pointing down.

Mounting on a Wall



CONSIDERATIONS FOR WALL MOUNTING

To maintain a high level listening experience, the Soundbar should be as close to the TV as possible. Placing To maintain a proper listening experience, the Soundbar should be as close to the TV as possible. Placing the Soundbar more than 3" from the screen will separate the audio from the video and provide a poor viewing and listening experience, keep this in mind when locating the Soundbar.

Before Installing the Mount

- Locate and install the TV mount.
- With the TV on the mount
 - Mark the position of the bottom of the TV.
 - Mark the position of the TV's Center Point.
- Remove the TV from the mount

Attaching the Wall Bracket

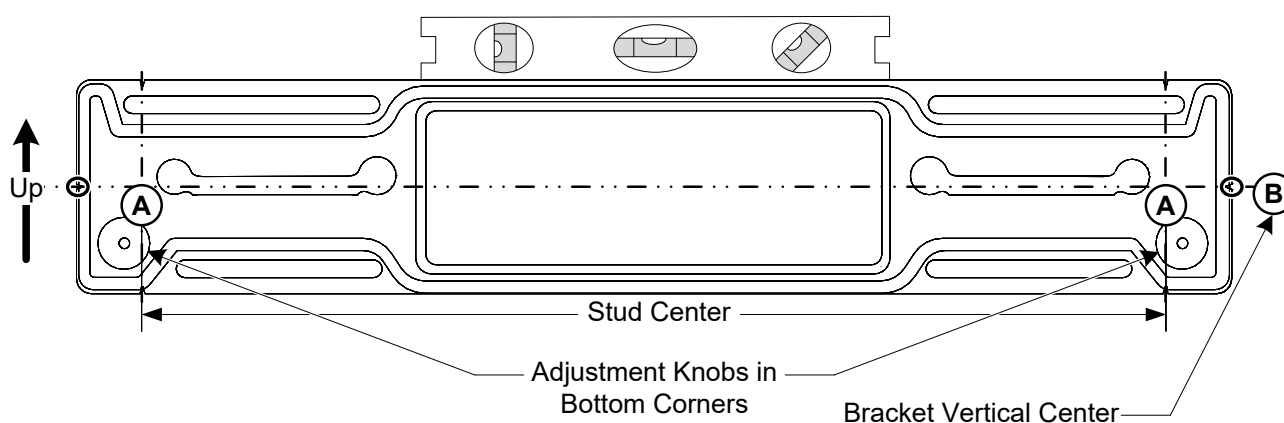
Note: For ease of installation of the bracket and the Soundbar, we recommend that the TV be removed from the mount. This allows for the Soundbar to be placed properly.

INSTALLING THE MOUNT (ES-550, AND ES-350)

1. Locate wall studs using a stud finder (not included).
2. Place the Bracket on the wall with the flat side towards the wall. Ensure the center of the bracket is lined up with the center point of the installed television.
3. Position the center of the bracket 2 1/4" from the bottom of the TV. This will place the Soundbar flush with the bottom of the TV when installed.

Tip: To allow for extra clearance, position the center of the bracket, 2 5/16" from the bottom of the TV. This will provide an extra 1/16" clearance (recommended for Tilt Mounts) allowing for any tolerance differences that may occur.

4. Level the bracket and attach it to the wall studs using the horizontal screw hole slots. All 4 screws should be used, making sure to keep the bracket flat to the wall and securely attached.



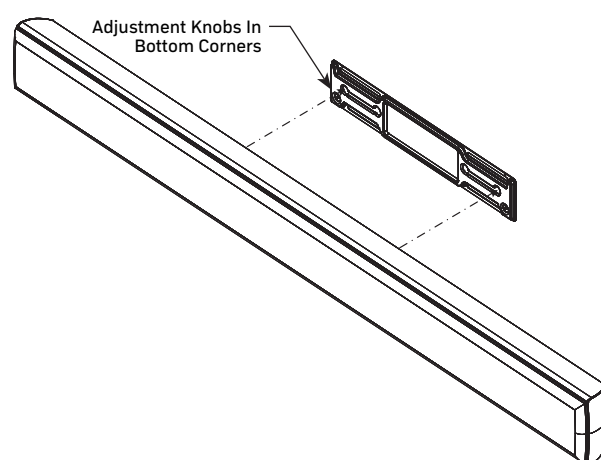
5. Attach the Soundbar to the bracket by placing the bracket's mounting bolts into the keyhole slots on the rear of the soundbar and dropping the Soundbar into place.

Note: Once installed, if the soundbar needs upward adjustment, the soundbar will need to be unattached from the bracket.

To Adjust:

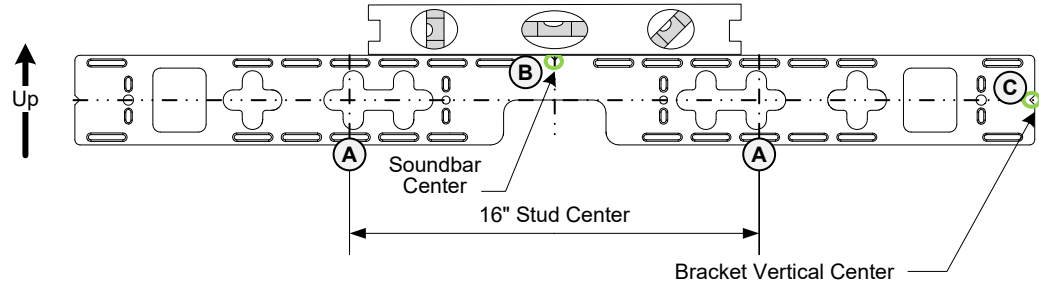
Remove the soundbar from the bracket, then adjust the thumbscrews on the bracket by hand or using a flathead screwdriver if necessary.

Replace the soundbar when adjustment is complete. Repeat the process if further adjustment is necessary.

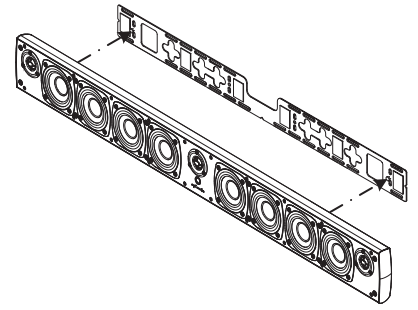


INSTALLING THE MOUNT (ES-500T)

1. Locate wall studs using a stud finder (not included).
 2. Place the Bracket on the wall with the flat side towards the wall and the notched center mark facing up. The Soundbar Center mark should be located at the center point of the installed television.
 3. Position the Bracket Vertical Center (C) v groove 2 ¼ " from the bottom of the TV. This will place the Soundbar flush with the bottom of the TV when installed.
- Tip:** To allow for some extra clearance, position the Bracket Vertical Center (C), 2 5/16" from the bottom of the TV. This will provide an extra 1/16" clearance (recommended for Tilt Mounts) allowing for the any tolerance differences that may occur.
4. Level the bracket and attach it to the wall studs using the horizontal screwhole slots. All 4 screws should be used, making sure to keep the bracket flat to the wall and securely attached.



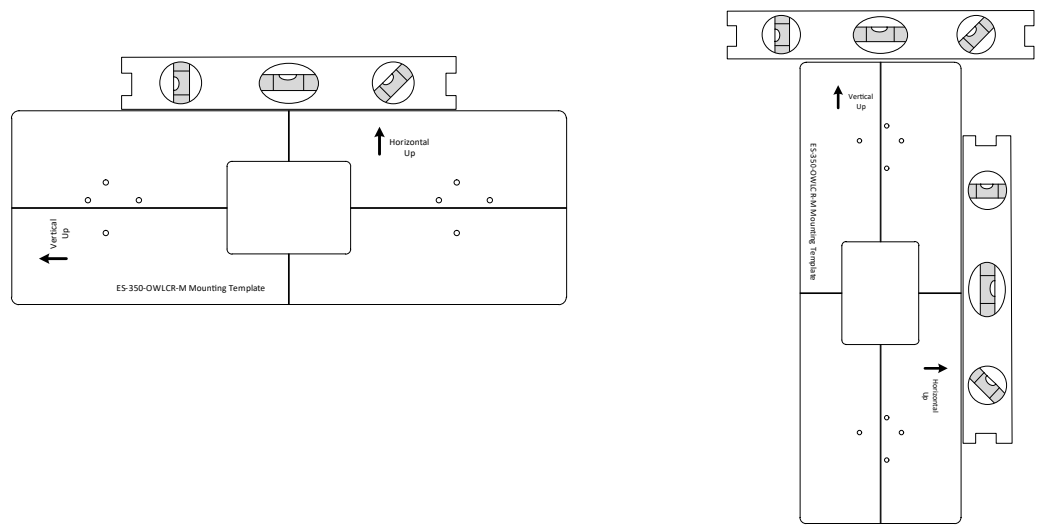
5. Attach the Soundbar to the bracket by placing the bracket's mounting bolts into the keyhole slots on the rear of the soundbar and dropping the Soundbar into place.



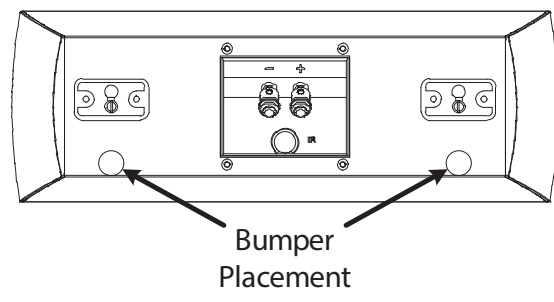
ATTACHING THE WALL BRACKET (ES-350-OWLCR)

A wall mounting template has been included; use this template for proper and accurate positioning of the OWLCR.

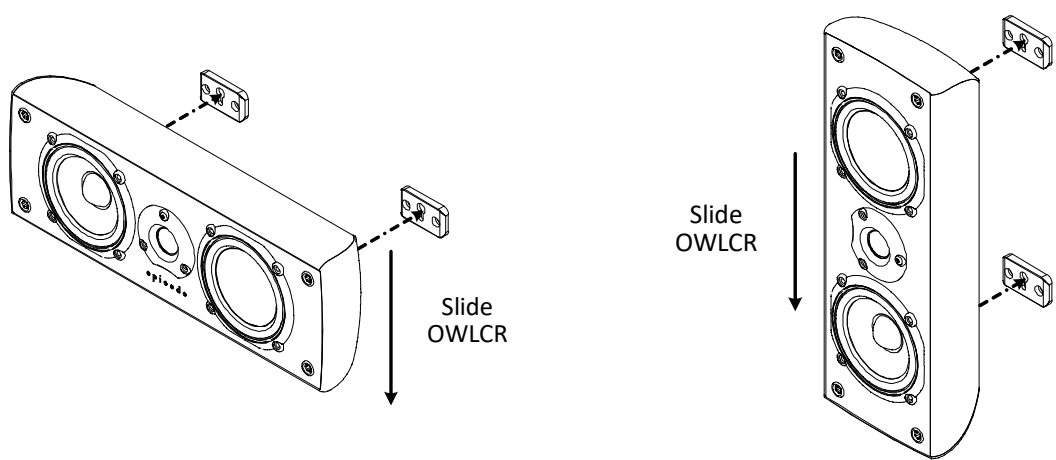
1. Locate wall studs using a stud finder (not included).
2. Position the provided template on the wall in the desired location of the speaker. If the location does not allow for this, use a wall molly or anchor with the appropriate weight rating for the Soundbar.
3. Level the template and mark the wall with the screw locations.



4. Secure the brackets to the wall.
5. If mounting the OWLCR in a horizontal orientation, place the provided rubber bumpers in line with the brackets at the bottom of the speakers. These are not needed when mounting in an vertical orientation.



6. Place the Speaker onto the wall brackets with the rear screws in the slots. Slide the speaker onto the bracket. Your install is now complete.



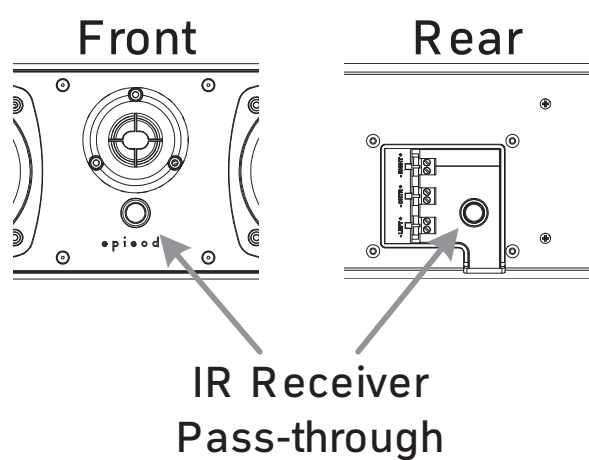
Installing on a Flat Panel Mount

The ES passive series of soundbars can be mounted directly to a Flat Panel Mount with the Strong™ SM-SBAR2-BKT-UNIV (available separately). Using the Flat Panel mount bracket allows for the speaker to move with the TV when mounted to articulating arm mounts. This provides an optimum listening experience for these installations.

Installing an IR Receiver

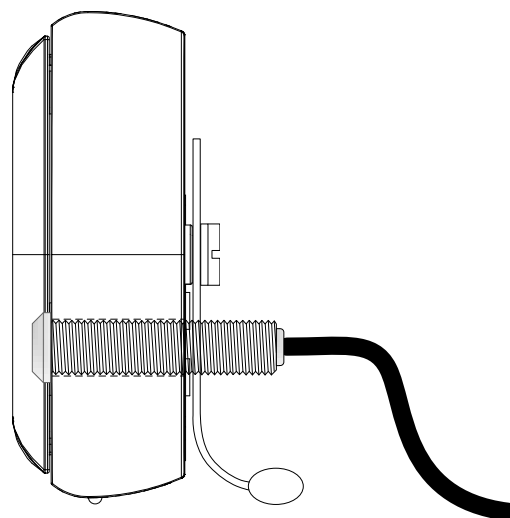
The ES passive series of soundbars have the option of installing an optional IR Receiver directly into the speaker behind the grille cloth, eliminating the need to surface mount a stick-on receiver. Simply punch out the center of the pass-through and slide the IR Receiver through the exposed hole.

Note: Due to the extremely low profile of the ES-500T soundbars, most IR tube receivers will protrude through the rear of the Soundbar. **An opening in the wall may be needed for clearance.**



To maintain accurate IR reception, a spacer has been included to allow for the front edge of the IR receiver to be flush with the back of the grille cloth. This will ensure that IR reception is at its maximum level.

TIP: With some IR receivers, a layer of electrical tape around the threads can create a more snug fit within the Soundbar



Connecting and Calibrating

Proper Connections are important to the performance of any loudspeaker within an audio system. Performing the following steps will ensure proper connections for optimum speaker performance:

1. At each loudspeaker connection, ensure that the outer jacket is separated by at least 2 inches.
2. Strip the insulation on each conductor approximately ¼” and insert into the speaker terminals.
 - A. Ensure that there are no stray strands of wire protruding from the connectors.
 - B. Observe proper polarity (+ to + and – to –) for each speaker and at the amplifier).
3. Turn on the home theater receiver and calibrate all loudspeakers in the system according to the receiver (or surround processor) manufacturer’s instructions.

Verifying Phase

When proper polarity is not maintained, the speakers play at the opposite ‘time’ from each other, or out of phase. The result is audio with lack of bass and vocals that sound thin or distant. If during or after calibrating your receiver you suspect the sound is not right and you cannot see any markings on the wire to verify polarity is correct, try this simple test:

1. Sit in the normal listening position for the system.
2. Play some music with your receiver set to Mono.
3. Listen to the music and observe the audio.
 - A. Does the bass sound full and even with the other audio?
 - B. Do the vocals sound centered and even in volume?
 - C. If either of the answers are YES, follow steps 3 and 4 with the other loudspeakers in the system.
4. Turn off your receiver and reverse the connections for one of the speakers.
5. Repeat your test at the same volume level. When the sound has the loudest and best sounding bass, and vocals are centered and clear, your connections are correct and in-phase.

GENERAL MAINTENANCE

INSTALLING AND REMOVING THE GRILLE

- The grill is held by pins. To remove the grill, pull gently around the edge away from the speaker, slowly working your way from one end of the speaker to the other .
- To re-install, align the grill pins with the cups in the speaker and push into place.

CLEANING

- Use a dampened soft cloth or paper towel to clean the cabinet. The grill is best cleaned by brushing it off with a lint-free cloth.

SPECIFICATIONS

Model	ES-350-0WLCR-M	ES-350-0WLCR-L
Woofers Construction	4" anodized aluminum cone w/ High Temp Voice Coil	4" anodized aluminum cone w/ High Temp Voice Coil
Woofers Magnet Diameter	35mm OD Neo magnet	35mm OD Neo magnet
Voice Coil Size	35mm (1.25")	35mm (1.25")
Tweeters Construction	1" Titanium Dome Neodymium, ferrofluid cooled	1" Titanium Dome Neodymium, ferrofluid cooled
Passive Radiators	N/A	4" anodized aluminum cone
# of Woofers	4	4
# of Tweeters	3	3
# of Passive Radiators	0	4
Power Handling RMS (w)	20-100W RMS	20-100W RMS
Power Handling Peak (w)	250W	250W
Recommended Amplifier Power	6 ohms	6 ohms
Nominal Impedance (Ω)	6 ohms	6 ohms
Frequency Response	110Hz - 22kHz	100Hz - 22kHz
Sensitivity (2.83v @ 1m)	88dB	88dB
Crossover Type	12dB / octave woofer and tweeter sections	12dB / octave woofer and tweeter sections
Crossover Frequency	2.5kHz	2.5kHz
Product Weight	10.8lbs	12.3lbs
Grill Type	Acoustically Transparent Cloth	Acoustically Transparent Cloth
Finished Dimensions	40.56"L x 5.17"H x 1.83"D	48.92"L x 5.17"H x 1.83"D
1/2" IR Knockout	Yes	Yes
Mounting Options	Wall-Mount, Table-Top, TV Mount (optional)	Wall-Mount, Table-Top, TV Mount (optional)
Connector Type	Removable Screw-down terminal	Removable Screw-down terminal
Wire Size Accepted	Up to 14AWG	Up to 14AWG

Model	ES-350-SNDBAR-30	ES-350-SNDBAR-40	ES-350-SNDBAR-50	ES-350-SNDBAR-60
Woofer Construction	4" anodized aluminum cone w/ High Temp Voice Coil	4" anodized aluminum cone w/ High Temp Voice Coil	4" anodized aluminum cone w/ High Temp Voice Coil	4" anodized aluminum cone w/ High Temp Voice Coil
Woofer Magnet Diameter	35mm OD Neo magnet	35mm OD Neo magnet	35mm OD Neo magnet	35mm OD Neo magnet
Voice Coil Size	35mm (1.25")	35mm (1.25")	35mm (1.25")	35mm (1.25")
Tweeter Construction	1" Titanium Dome Neodymium, ferrofluid cooled	1" Titanium Dome Neodymium, ferrofluid cooled	1" Titanium Dome Neodymium, ferrofluid cooled	1" Titanium Dome Neodymium, ferrofluid cooled
Passive Radiators	N/A	4" anodized aluminum cone	4" anodized aluminum cone	4" anodized aluminum cone
# of Woofers	4	4	4	4
# of Tweeters	3	3	3	3
# of Passive Radiators	0	4	4	4
Power Handling RMS (w)	20-100W RMS	20-100W RMS	20-100W RMS	20-100W RMS
Power Handling Peak (w)	250W	250W	250W	250W
Recommended Amplifier Power	6 ohms	6 ohms	6 ohms	6 ohms
Nominal Impedance (Ω)	6 ohms	6 ohms	6 ohms	6 ohms
Frequency Response	110Hz - 22kHz	100Hz - 22kHz	100Hz - 22kHz	85Hz - 22kHz
Sensitivity (2.83v @ 1m)	88dB	88dB	88dB	88dB
Crossover Type	12dB / octave woofer and tweeter sections	12dB / octave woofer and tweeter sections	12dB / octave woofer and tweeter sections	12dB / octave woofer and tweeter sections
Crossover Frequency	2.5kHz	2.5kHz	2.5kHz	2.5kHz
Product Weight	10.8lbs	12.3lbs	12.3lbs	13.6lbs
Grill Type	Acoustically Transparent Cloth	Acoustically Transparent Cloth	Acoustically Transparent Cloth	Acoustically Transparent Cloth
Finished Dimensions	32"L x 4.5"H x 2.8"D	40.2"L x 4.5"H x 2.83"D	48.8"L x 4.5"H x 2.83"D	56.6"L x 4.5"H x 2.8"D
1/2" IR Knockout	Yes	Yes	Yes	Yes
Mounting Options	Wall-Mount, Table-Top, TV Mount (optional)	Wall-Mount, Table-Top, TV Mount (optional)	Wall-Mount, Table-Top, TV Mount (optional)	Wall-Mount, Table-Top, TV Mount (optional)
Connector Type	Removable Screw-down terminal	Removable Screw-down terminal	Removable Screw-down terminal	Removable Screw-down terminal
Wire Size Accepted	Up to 14AWG	Up to 14AWG	Up to 14AWG	Up to 14AWG

Model	ES-550-SNDBAR-40	ES-550-SNDBAR-50	ES-550-SNDBAR-60
Woofers Construction	4" anodized aluminum cone w/ High Temp Voice Coil	4" anodized aluminum cone w/ High Temp Voice Coil	4" anodized aluminum cone w/ High Temp Voice Coil
Woofers Magnet Diameter	35mm OD Neo magnet	35mm OD Neo magnet	35mm OD Neo magnet
Voice Coil Size	35mm (1.25")	35mm (1.25")	35mm (1.25")
Tweeter Construction	1" Titanium Dome Neodymium, ferrofluid cooled	1" Titanium Dome Neodymium, ferrofluid cooled	1" Titanium Dome Neodymium, ferrofluid cooled
Passive Radiators	N/A	4" anodized aluminum cone	4" anodized aluminum cone
# of Woofers	4	4	4
# of Tweeters	3	3	3
# of Passive Radiators	0	4	4
Power Handling RMS (w)	20-100W RMS	20-100W RMS	20-100W RMS
Power Handling Peak (w)	250W	250W	250W
Recommended Amplifier Power	6 ohms	6 ohms	6 ohms
Nominal Impedance (Ω)	6 ohms	6 ohms	6 ohms
Frequency Response	110Hz - 22kHz	100Hz - 22kHz	85Hz - 22kHz
Sensitivity (2.83v @ 1m)	88dB	88dB	88dB
Crossover Type	12dB / octave woofer and tweeter sections	12dB / octave woofer and tweeter sections	12dB / octave woofer and tweeter sections
Crossover Frequency	2.5kHz	2.5kHz	2.4kHz
Product Weight	10.8lbs	12.3lbs	17.1lbs
Grill Type	Acoustically Transparent Cloth	Acoustically Transparent Cloth	Acoustically Transparent Cloth
Finished Dimensions	40.56"L x 5.17"H x 1.83"D	48.92"L x 5.17"H x 1.83"D	56.6"L x 5.17"H x 2.83"D
1/2" IR Knockout	Yes	Yes	Yes
Mounting Options	Wall-Mount, Table-Top, TV Mount (optional)	Wall-Mount, Table-Top, TV Mount (optional)	Wall-Mount, Table-Top, TV Mount (optional)
Connector Type	Removable Screw-down terminal	Removable Screw-down terminal	Removable Screw-down terminal
Wire Size Accepted	Up to 14AWG	Up to 14AWG	Up to 14AWG

Model	ES-550T-SNDBR-40	ES-550T-SNDBR-50	ES-550T-SNDBR-60
Woofer Construction	4" anodized aluminum cone w/ High Temp Voice Coil	4" anodized aluminum cone w/ High Temp Voice Coil	4" anodized aluminum cone w/ High Temp Voice Coil
Woofer Magnet Diameter	35mm OD Neo magnet	35mm OD Neo magnet	35mm OD Neo magnet
Voice Coil Size	35mm (1.25")	35mm (1.25")	35mm (1.25")
Tweeter Construction	1" Titanium Dome Neodymium, ferrofluid cooled	1" Titanium Dome Neodymium, ferrofluid cooled	1" Titanium Dome Neodymium, ferrofluid cooled
Passive Radiators	N/A	4" anodized aluminum cone	4" anodized aluminum cone
# of Woofers	4	4	4
# of Tweeters	3	3	3
# of Passive Radiators	0	4	4
Power Handling RMS (w)	20-100W RMS	20-100W RMS	20-100W RMS
Power Handling Peak (w)	250W	250W	250W
Recommended Amplifier Power	6 ohms	6 ohms	6 ohms
Nominal Impedance (Ω)	6 ohms	6 ohms	6 ohms
Frequency Response	110Hz - 22kHz	100Hz - 22kHz	105Hz - 22kHz
Sensitivity (2.83v @ 1m)	88dB	88dB	88dB
Crossover Type	12dB / octave woofer and tweeter sections	12dB / octave woofer and tweeter sections	12dB / octave woofer and tweeter sections
Crossover Frequency	2.5kHz	2.5kHz	2.4kHz
Product Weight	10.8lbs	12.3lbs	14.8lbs
Grill Type	Acoustically Transparent Cloth	Acoustically Transparent Cloth	Acoustically Transparent Cloth
Finished Dimensions	40.56"L x 5.17"H x 1.83"D	48.92"L x 5.17"H x 1.83"D	56.6"L x 5.17"H x 1.83"D
1/2" IR Knockout	Yes	Yes	Yes
Mounting Options	Wall-Mount, Table-Top, TV Mount (optional)	Wall-Mount, Table-Top, TV Mount (optional)	Wall-Mount, Table-Top, TV Mount (optional)
Connector Type	Removable Screw-down terminal	Removable Screw-down terminal	Removable Screw-down terminal
Wire Size Accepted	Up to 14AWG	Up to 14AWG	Up to 14AWG

TROUBLESHOOTING

Episode amplifiers are designed to function trouble-free. Most problems that occur are due to simple issues. If having trouble, check the list of simple fixes below. If the problem persists, contact Episode technical support at 866-838-5052.

No audio output	<ul style="list-style-type: none"> • Power cable to the amplifier is incorrectly connected or plugged into an outlet that does not have power. Check connections and verify power at the outlet. • Audio cable to the source component is not connected properly, connection to output or the cable is defective. Check connections or replace cable with one that has been verified as good. • Amplifier is in standby mode and needs to be turned on (blue LED). • Check the connections of the speaker wire at both the speaker and amplifier. • The level adjustment is turned down. Slowly turn the dial to the right to raise the volume.
Hum or buzzing sound is heard	<ul style="list-style-type: none"> • Check RCA input cables by removing them one at a time (powering down the amplifier before disconnecting) and verify connections.
Amplifier will not turn on	<ul style="list-style-type: none"> • Ensure the amplifier is plugged into a live outlet. • Ensure the power switch on the front panel is on (blue LED). • Fuse is blown. Replace with T8AL/250V fuse type. • The power mode may be set to the wrong mode for the system's configuration or setup.
Unable to control menu	<ul style="list-style-type: none"> • Ensure amplifier is not in Lock Mode. Hold for 10 seconds to unlock menu.

CONTACTING TECHNICAL SUPPORT

As a thank you for purchasing Episode® Electronics products, direct technical support services are available via phone or e-mail. We encourage you to use this resource for any questions or concerns about our products. Visit our website for more support documentation.

(866) 838-5052

techsupport@snapav.com

snapav.com

WARRANTY

Limited Lifetime Warranty

Episode Soundbar Speakers have a Lifetime Limited Warranty. This warranty includes parts and labor repairs on all components found to be defective in material or workmanship under normal conditions of use. This warranty shall not apply to products which have been abused, modified or disassembled. Products to be repaired under this warranty must be returned to SnapAV or a designated service center with prior notification and an assigned return authorization number (RA).



© 2018 Episode®
Rev: 180315-1055