



engineered by  
**Snap**  
av

**OWNER'S MANUAL**

**>> SOUNDBARS**

**ES-300-SNDBAR-30 ES-300-SNDBAR-40**



## OVERVIEW

Welcome to Episode® Speakers. We appreciate your purchase and are committed to providing the highest-quality products possible.

The Episode® Soundbar models are a superb choice for almost every type of home theater or home audio installation. They have been designed with advanced technological components that allow for high performance and a lifetime of enjoyment.

## IMPORTANT INSTRUCTIONS AND CONSIDERATIONS

Read and understand all instructions.

Before beginning installation, carefully plan location accounting for potential electrical, plumbing or other obstacles.

## RECOMMENDED AMPLIFIER POWER

To get the best performance from the ES-300-SNDBAR, an amplifier or receiver with the following power rating is recommended:

*ES-300-SNDBAR-30* — between **20** and **80** Watts RMS per channel

*ES-300-SNDBAR-40* — between **20** and **90** Watts RMS per channel

## SPEAKER WIRE

To connect the ES-300-SNDBAR-30 or ES-300-SNDBAR-40 speaker to your amplifier, high-quality 14 to 16 gauge stranded speaker wire is recommended. The wire may be connected directly to the speaker's binding posts. Remember that you will need 3 runs of speaker wire to the Soundbar location as it contains the left, center, and right speaker.

## Features

- Replaces Left, Center, and Right channels in one convenient speaker
- Low-Profile, Extruded Aluminum Cabinet
- Knockout for Hidden IR Receiver
- Flexible Mounting Options
  - Cabinet Top or Shelf Placement with included kickstands
  - On-Wall with included mounting plate
  - Flat-Screen with optional accessory that attaches to TV mount

## What's Included

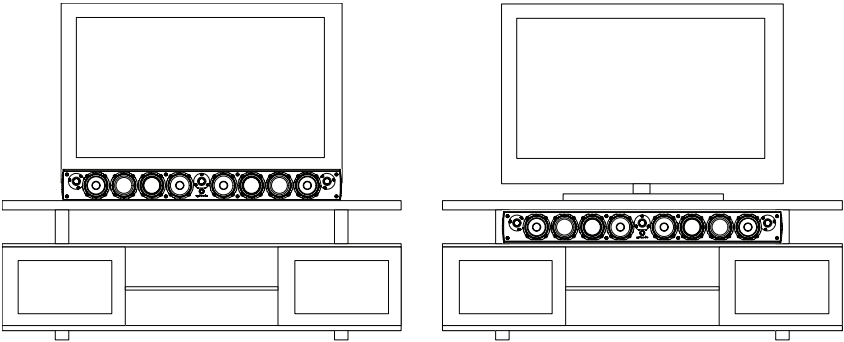
- (1) ES300-SNDBAR-30 or ES300-SNDBAR-40
- (2) Kickstands for Cabinet placement
- (2) Shoulder bolts for Kickstand and Wall Plates
- (2) Large Flat Washers for Kickstands
- (4) Rubber Feet
- (1) Wall Plate Bracket
- (4) Wood Screws for Wall Plate
- (4) Small Flat Washers for Wall Plate
- (1) IR Receiver Spacer

## INSTALLATION

### SPEAKER PLACEMENT

The ES-300-SNDBAR is designed to be the Left, Center, and Right speakers of a home theater surround system. For most applications, placement should be below a flat screen TV on a cabinet top or shelf. Other options for placement include On-Wall using the included bracket, or attached to a Flatscreen mount using the optional Strong mount brackets.

#### Installing On or In a Cabinet



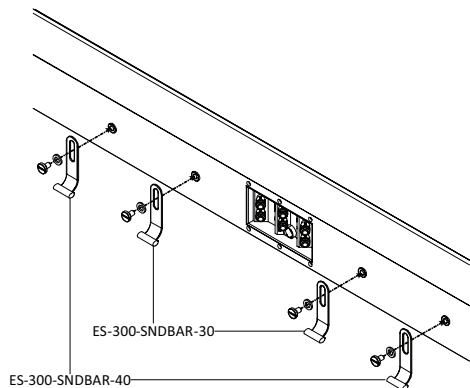
#### Considerations for Placement

When placing the Soundbar on a cabinet shelf, the front edge of the speaker should be flush with the front of the shelf. Placing the speaker further back on the shelf will degrade the sound quality of the speaker.

#### Attaching the Kickstand

The kickstand for the Soundbar allows for the angle of the Soundbar to be adjusted to maintain proper audio performance. When placing the Soundbar, adjust the kickstand height to angle the Soundbar towards the listener's ears. See Adjusting the Kickstand for more information.

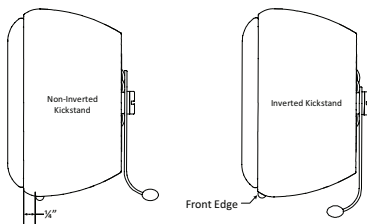
1. Remove the 2 screws on the back of the soundbar.
2. Place the included Kickstand on the rear of Soundbar.
3. Hand Tighten the screws to secure the kickstand to the Soundbar.



### Attaching the Feet

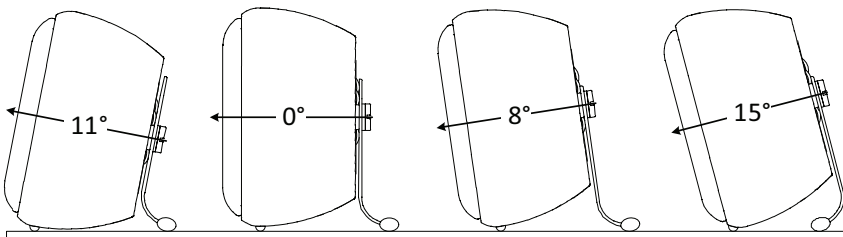
To ensure that the Soundbar will not slip when using the kickstands, (2) rubber feet have been included. The feet must be installed when using the kickstand. Place the feet 3" from the left and right outer edge, and 1/4" from the front edge of the Soundbar.

*Note: When using the kickstand in the inverted position, the feet should be placed at the front edge of the speaker.*

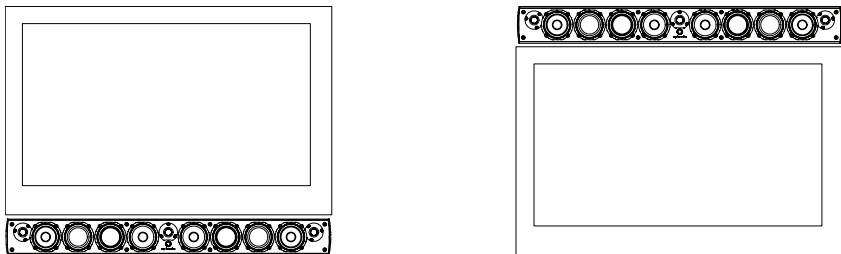


### Adjusting the Kickstand

After installing the kickstand and placing the Soundbar, adjust the angle of the speakers towards the listener's ears. If the speakers point away from the listener's ears, slide the kickstand up or down to achieve the proper angle. Note that the kickstand can be inverted when the Soundbar is pointing down.



### Mounting on a Wall



### Considerations for Wall Mounting

Place the speaker as close to the TV as possible. Placing the speaker more than 3" from the screen will separate the audio from the video and provide a poor viewing and listening experience.

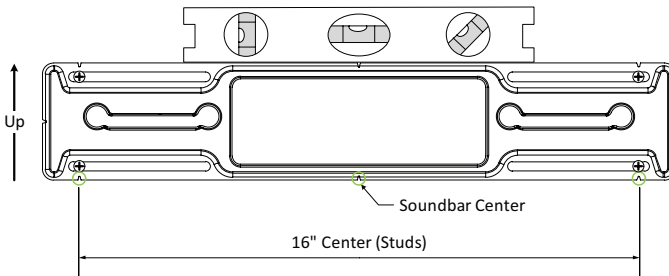
### Attaching the Wall Bracket

When mounting the bracket to the wall, place the flat side of the bracket towards the wall and verify that it is level. There are small V-shaped notches on the top and bottom of the bracket; these marks are 16" on center allowing for alignment with wall studs.

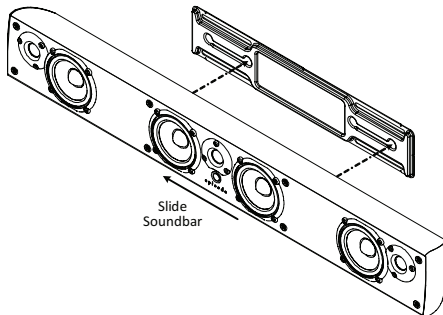
1. Locate wall studs using a stud finder (not included).
2. Position the provided Bracket on the wall with the V shaped notches over wall studs. If the location does not allow for this, use a wall molly or anchor with the appropriate weight rating for the Soundbar.

*Note the orientation of the holes for the mounting slots as indicated in the leveling diagram.*

3. Level the bracket and secure to the wall using the included screws.



4. Attach the supplied shoulder bolts to the inner bolt locations on the rear of the Soundbar.
5. Place the Soundbar onto the wall bracket with the rear screws in the slots. Slide the Soundbar onto the bracket.  
Adjust for proper centering with HDTV. Your install is now complete.

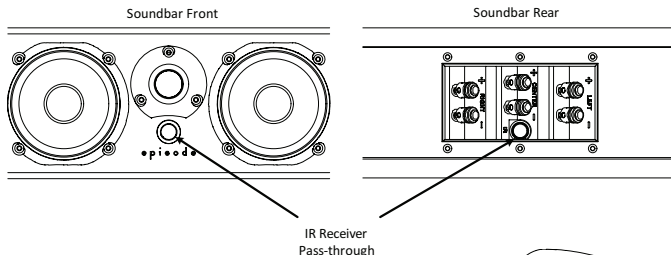


### Installing on a Flatscreen Mount

The ES-300-SNDBAR can be mounted directly to a Flatscreen Mount with the Strong™ SM-BKT-SBAR bracket (available separately). Using the Flatscreen mount bracket allows for the speaker to move with the TV when mounted to articulating arm mounts. This provides an optimum listening experience for these installations.

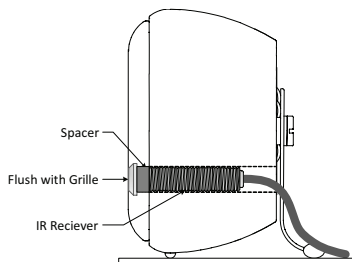
### Installing an IR Receiver

The ES-300-SNDBAR has the option of installing an optional IR Receiver directly into the speaker behind the grille cloth, eliminating the need to surface mount a stick-on receiver. Simply punch out the center of the pass-through and slide the IR Receiver through the exposed hole.



To maintain accurate IR reception, a spacer has been included to allow for the front edge of the IR receiver to be flush with the back of the grille cloth. This will ensure that IR reception is at its maximum level.

*TIP: With some IR receivers, a layer of electrical tape around the threads can create a more snug fit within the Soundbar.*



### Connecting and Calibrating

Proper Connections are important to the performance of any loudspeaker within an audio system. Performing the following steps will ensure proper connections for optimum speaker performance:

1. At each loudspeaker connection, ensure that the outer jacket is separated by at least 2 inches.
2. Strip the insulation on each conductor approximately  $\frac{1}{4}$ " and insert into the speaker terminals.
  - a. Ensure that there are no stray strands of wire protruding from the connectors.
  - b. Observe proper polarity (+ to + and - to -) for each speaker and at the amplifier).
3. Turn on the home theater receiver and calibrate all loudspeakers in the system according to the receiver (or surround processor) manufacturer's instructions.

### Verifying Phase

When proper polarity is not maintained, the speakers play at the opposite 'time' from each other, or out of phase. The result is audio with lack of bass and vocals that sound thin or distant. If during or after calibrating your receiver you suspect the sound is not right and you cannot see any markings on the wire to verify polarity is correct, try this simple test:

1. Sit in the normal listening position for the system.
2. Play some music with your receiver set to Mono.
 

*Listen to the music and observe the audio.*

  - Does the bass sound full and even with the other audio?
  - Do the vocals sound centered and even in volume?

*If either of the answers are YES, follow steps 3 and 4.*
3. Turn off your receiver and reverse the connections for one of the speakers.
4. Repeat your test at the same volume level. When the sound has the loudest and best sounding bass, and vocals are centered and clear, your connections are correct and in-phase.

## GENERAL MAINTENANCE

### INSTALLING AND REMOVING THE GRILLE

- The grill is held by pins. To remove the grill, pull gently around the edge away from the speaker, slowly working your way from one end of the speaker to the other .
- To re-install, align the grill pins with the cups in the speaker and push into place.

### CLEANING

- Use a dampened soft cloth or paper towel to clean the cabinet. The grill is best cleaned by brushing it off with a lint-free cloth.

### WARRANTY

#### *Limited Lifetime Warranty*

Episode Soundbar Speakers have a Lifetime Limited Warranty. This warranty includes parts and labor repairs on all components found to be defective in material or workmanship under normal conditions of use. This warranty shall not apply to products which have been abused, modified or disassembled. Products to be repaired under this warranty must be returned to SnapAV or a designated service center with prior notification and an assigned return authorization number (RA).



engineered by  
**Snap**  
av