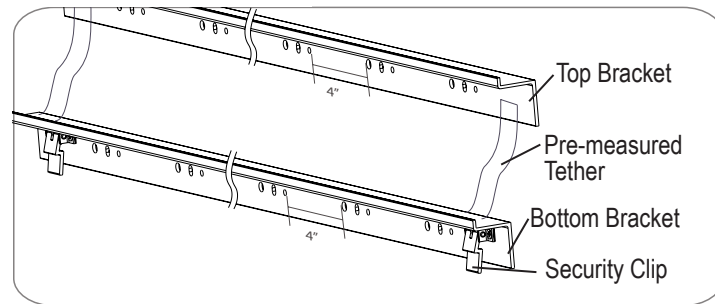
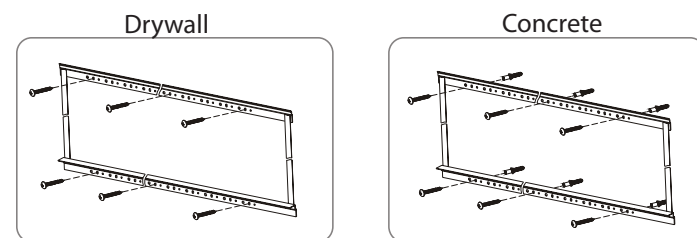


Mounting the screen onto the wall

- Select an appropriate area to mount the screen. Make sure the position selected will not interfere with existing features of your room; wall sockets, switches, etc... these all should be avoided.
- DO NOT install the screen over an electrical outlet or switch. Doing so poses a serious fire hazard.
- For homes with stud-wall construction, use stud finder or carefully measure to determine where the studs are located in the wall. The screen MUST be mounted to the studs- NEVER rely on gypsum board, drywall, or thin wall materials to support the weight of the screen!
- The screen is equipped with a set of pre-measured tethered mounting brackets. There are security clips in the bottom bracket. The screen should sit centered on the mounting bracket when installed.

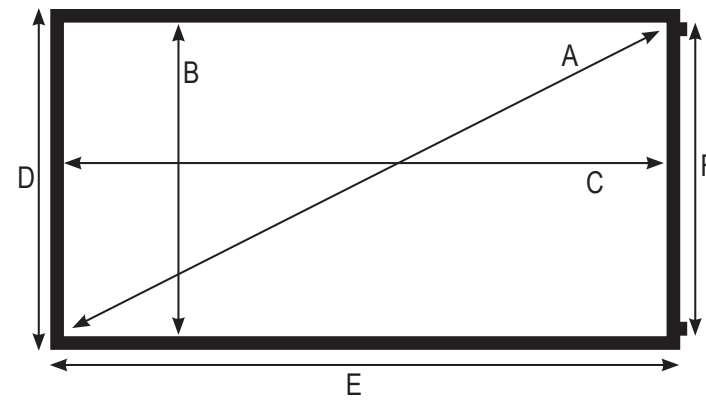
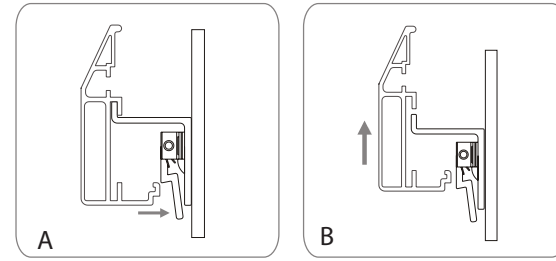


- **Drywall/Stud Installation:** Using a stud finder, locate studs in wall. Hang top bracket first (subtracting 1/2" from top of screen to mark corner edge of top of bracket) with 5X40mm Philips head screws and washers directly into studs. Pre-drilling studs with a 5/32" drill bit is recommended.
- Let the bottom bracket drop and, while pulling tethers taut, mark locations for screws. Repeat mounting procedure used with the top bracket. For best support, 3 screws per bracket should be used.
- **Concrete Installation:** Hang top bracket first (subtracting 1/2" from top of screen to mark corner edge of top of bracket). Pre-drill 3 holes into concrete with 1/4" concrete bit and insert concrete anchors. Position top bracket over holes and insert 5X40mm Philips head screws and washers.
- Let the bottom bracket drop and, while pulling tethers taut, mark locations for screws. Repeat mounting procedure used with the top bracket. For best support, 3 screws per bracket should be used.



- Start by lifting screen frame onto top bracket, letting the bottom rest against bottom bracket. Carefully lift bottom of screen onto bottom bracket (Figure A & B). Security clips will lock bottom of screen in place. Installation is complete.

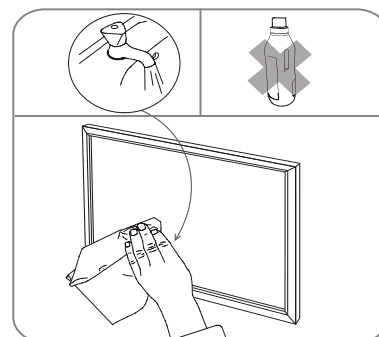
- To release, simply push in clips and carefully lift bottom of screen up and away from wall.



	A	B	C	D	E	F
DF-SL-84-MW / HC	84"	41.14"	73.19"	47.48"	79.53"	47.36"
DF-SL-92-MW / HC	92"	45.08"	80.2"	51.42"	86.54"	51.3"
DF-SL-100-MW / HC	100"	49.02"	87.17"	55.35"	93.5"	55.24"
DF-SL-106-MW / HC	106"	51.93"	92.36"	58.27"	98.7"	58.15"
DF-SL-110-MW / HC	110"	53.9"	95.87"	60.24"	102.2"	60.12"
DF-SL-120-MW / HC	120"	58.82"	104.57"	65.16"	110.9"	65"
DF-SL-133-MW / HC	133"	65.2"	116"	71.54"	122.24"	71.38"

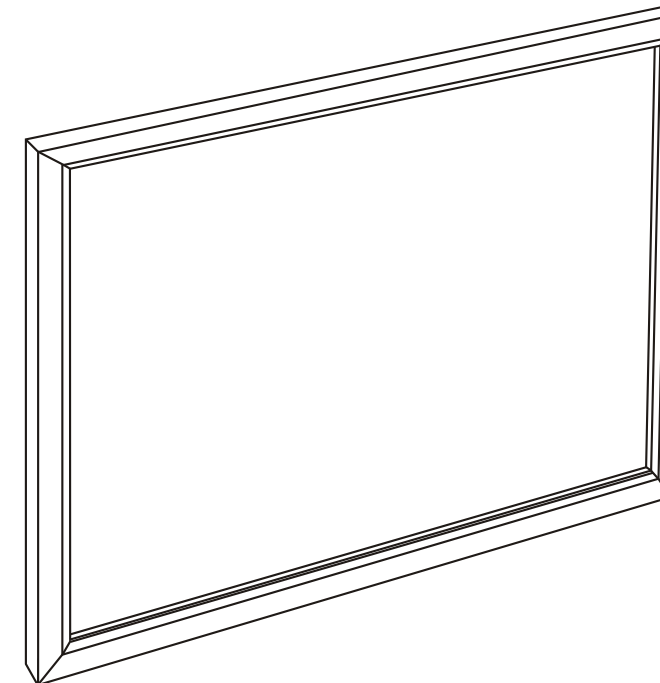
Care and cleaning

- Your new screen can be effectively cleaned with a soft cloth using mild soap and water. DO NOT use harsh detergents, chemicals, distilled spirits or petro-chemicals to clean the screen; doing so may result in severe damage to the screen or the frame coating.
- If the felt covering on the frame gets dusty or covered with lint, use a household vacuum cleaner with a brush or furniture cleaning attachment to clean the felt. We do not recommend using excessive amounts of water on the felt.

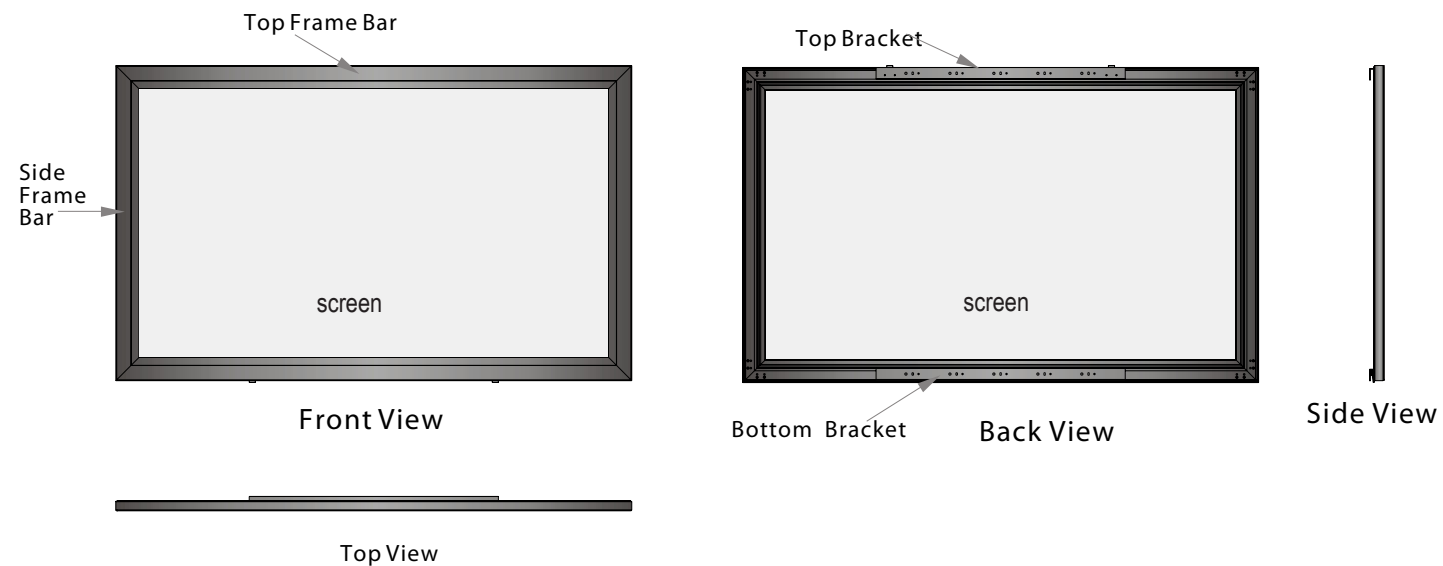


dragonfly

Fixed Film Screen with Black Velvet Frame



Assembly & Installation Instructions

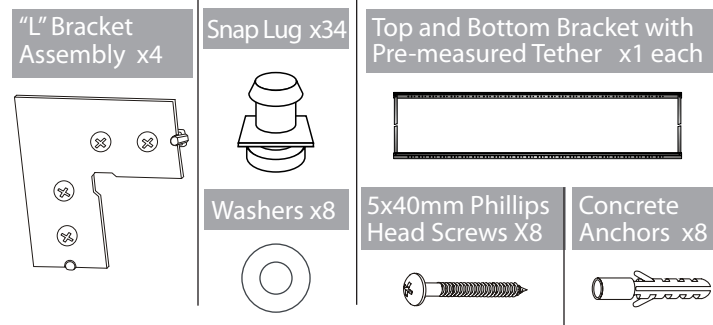
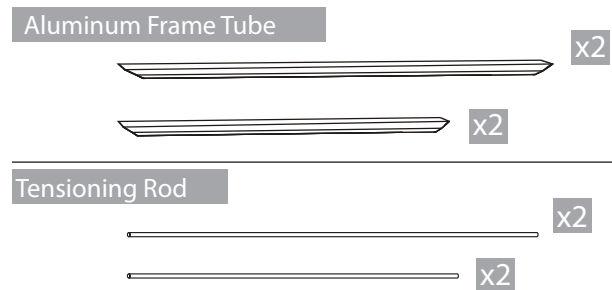


Please follow the assembly and installation instructions carefully. With proper assembly and installation, your new screen will deliver years of trouble-free service

Preparing your screen for installation

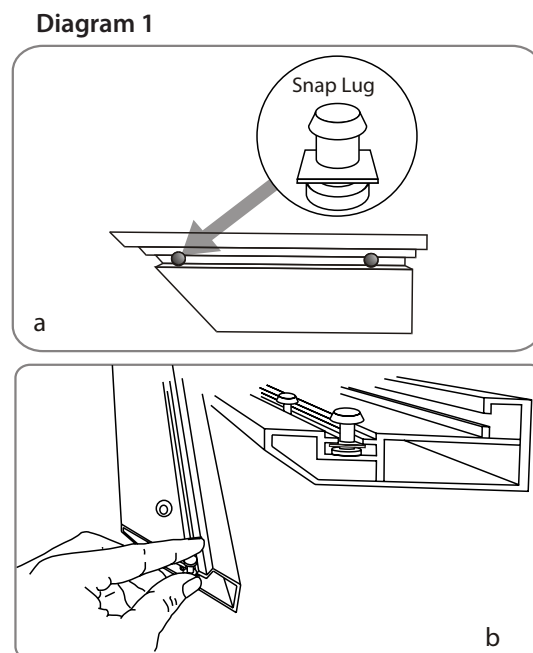
- Carefully open the package and lay out all the parts on a clean, flat surface
- Use extreme caution when unpacking the screen; do not use knives or sharp objects to open the packing boxes.
- Do not unpack the screen material at this time.

Part List



Installing the snap lugs

- Slide the snap lugs into the section of the extruded aluminum frame as shown in Diagram 1.



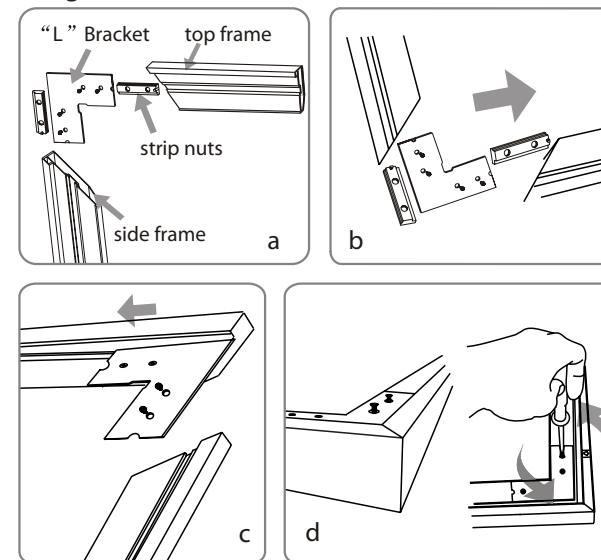
- The snap lugs line up with the arrow decals on the frame tubes. Alignment is not critical at this stage of the installation. Note that the screen is supplied with 2 extra snap lugs; should you lose or break a snap lug, one of the spares is a convenient replacement.

Assembling the frame

- Place all of the frame tubes face down on the work surface and carefully line up the ends to form shape of the finished screen.

- The 4 supplied "L" shaped corner bracket assemblies are used to join the individual frame tubes together.
- Loosen the 4 screws on the "L" brackets. Next, carefully slip the brackets into the aluminum frame channel as shown in diagram 2.
- It will help to leave the screws loose until you get all of the brackets in place.
- Carefully line up the frame corners and tighten the screws slightly; repeat this step at each corner.
- Note that you may have to loosen and adjust the brackets and frame tubes in order to get the frame perfectly square. A carpenter's square is very helpful with this stage of the assembly.

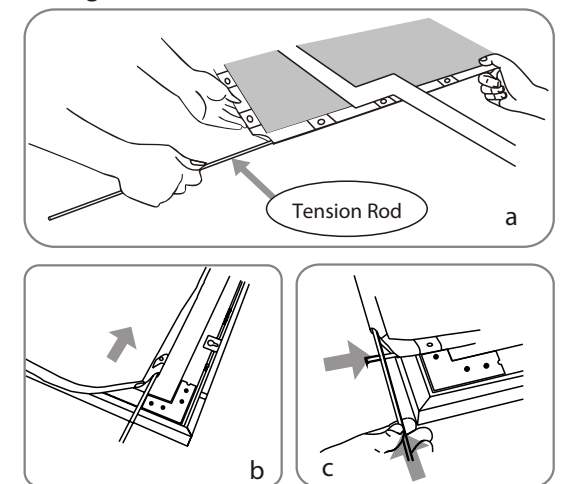
Diagram 2



Installing the screen material

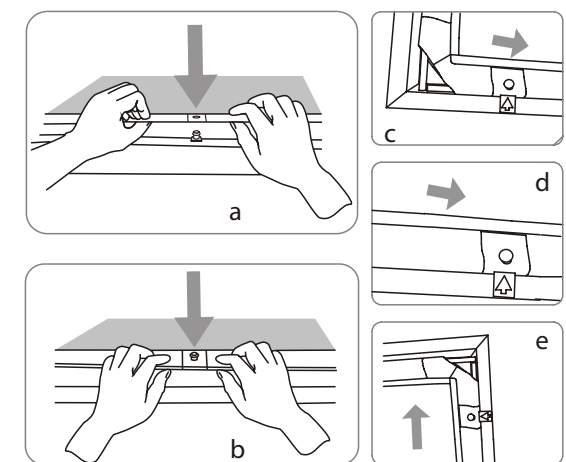
- Make sure that hands and work area are clean before working with the screen materials
- Carefully unpack the screen material- Use caution as the 4 tensioning rods are contained inside the cardboard tube.
- Carefully lay out the screen material so that it roughly lines up with the frame- Exact position is not critical at this stage of the assembly. It is important that the screen material is facing the correct direction. It is easy to identify the back side of the screen as it will have the stitched or welded seam visible.
- Unpack the 4 metal tensioning rods.
- Insert the long metal tensioning rods into the longer edges of the screen material, one rod per side. It is easier if the screen is flat on the floor. Use care when installing the rod; do not force it or damage to the screen material may occur (See Diagram 3).
- Insert the shorter tensioning rods into the corresponding sides of the screen; as with the longer rods, use caution to avoid damage to the screen (See Diagram 3).

Diagram 3



- Line up the snap lugs and the screen material with the frame and press the snap lug through the corresponding hole in the material. Some adjustment and re-adjustment is often necessary; this is normal. Note that the tensioning rod goes to the outside of the snap lug (See Diagram 4).

Diagram 4



- Repeat this process all the way around the frame. As you position the tensioning rod behind the snap lugs, the screen will become tighter on the frame and any wrinkles or creases will disappear. It may also be helpful or necessary to temporarily "unsnap" or loosen the snap lug for adjustment, especially as you work to the final corners of the screen.
- Once the screen is in place and the tensioning rods are seated behind all of the snap lugs, inspect the front of the screen. Make sure that the screen material is flat and wrinkle-free. Also, check the corners to make sure that the screen is properly positioned. If there are any wrinkles or positioning issues, simply lay the screen face down and adjust accordingly.
- **Note that some very small fold lines or wrinkles may exist for a few hours; this is due to the packing of the screen and they will disappear within a short time.**