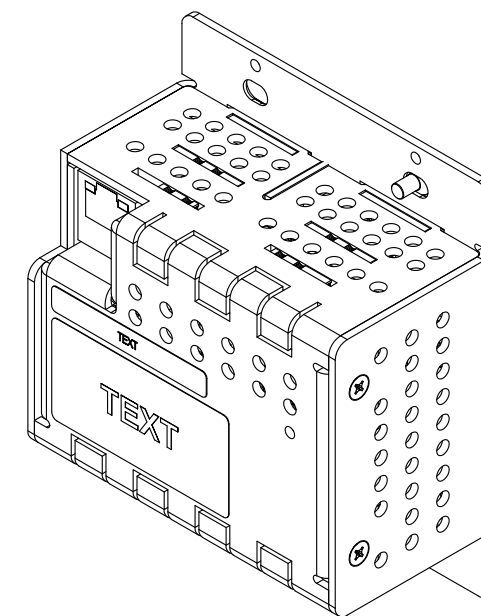
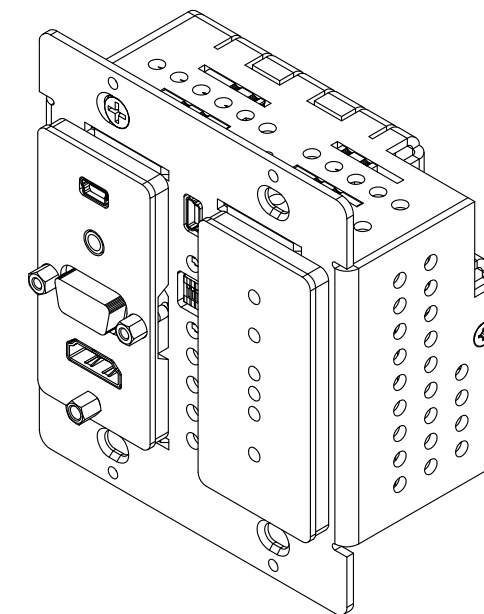
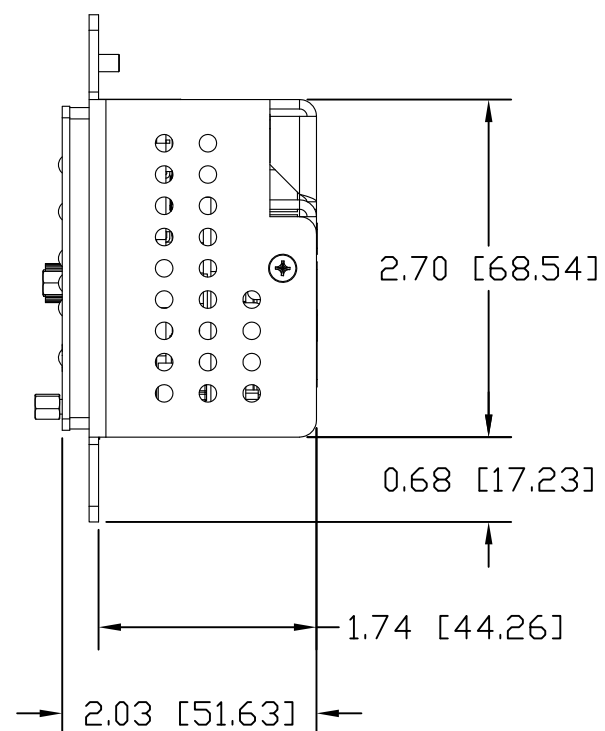
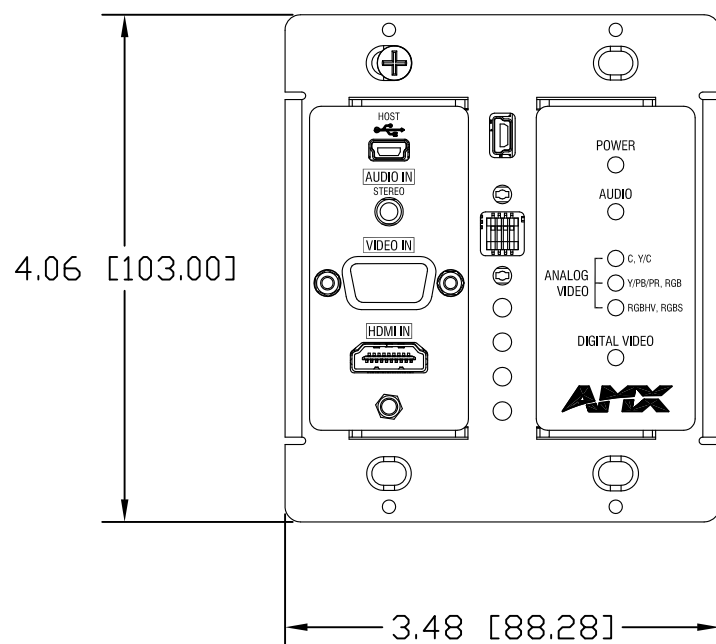
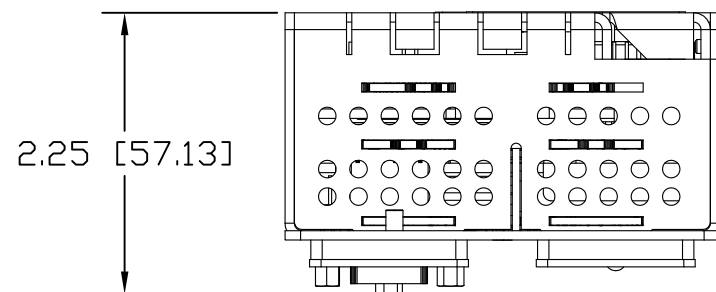


NOTES, UNLESS OTHERWISE SPECIFIED:

1. ALL DIMENSIONS IN [ ] ARE MILLIMETERS.

REVISIONS				
REV	ECN	DESCRIPTION	DATE	APPROVED
A	20269	INITIAL RELEASE	12/12/12	P. LE



NOTICE: This drawing is the property of AMX LLC. All information contained herein that is not generally known shall be confidential except to the extent the information has been previously established. This drawing may not be copied, reproduced, or used as the basis for manufacture or sale without written permission.

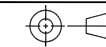
**UNLESS OTHERWISE SPECIFIED**

TOLERANCE ON DECIMAL DIMENSIONS: .X = ± 0.1  
 .XX = ± 0.01  
 .XXX = ± 0.005  
 ANGLES: ± 0.5°

SURFACE FLATNESS .003 TIR PER LINEAR INCH  
 ALL DIMENSIONS IN INCHES.

**DO NOT SCALE DRAWING**

THIRD ANGLE PROJECTION



AMX LLC  
 3000 RESEARCH DRIVE  
 RICHARDSON, TX 75082

**PICTORIAL DRAWING,  
 DXLINK MULTI DECOR HDCP TX,  
 AVB-DWP-TX-MULTI-DXLINK**

SIZE D	DWG. NO. 95-1010-325	REV. A
SCALE N/A	ACAD FILE NO. 92-1010-325_A	SHEET 1 OF 1