

## 3/4" Mini-Grommet

- HPG-10-10K (FG570-01-10K), Pack of 10
- HPG-10-25K (FG570-01-25K), Pack of 25
- HPG-10-50K (FG570-01-50K), Pack of 50
- HPG-10-101K (FG570-01-100), Pack of 100

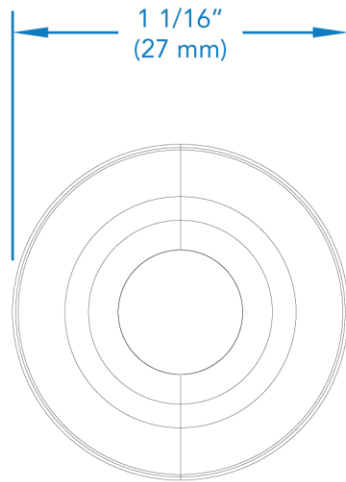
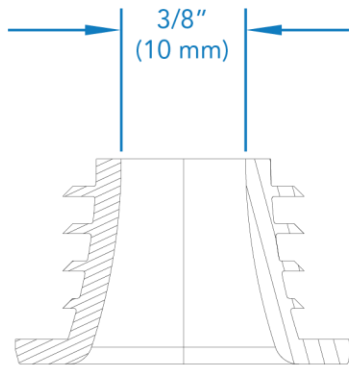


### Overview

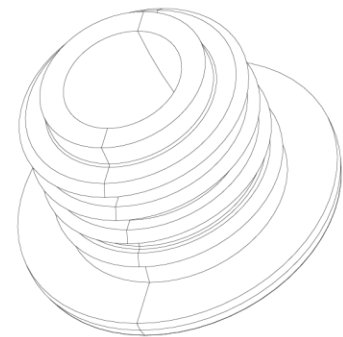
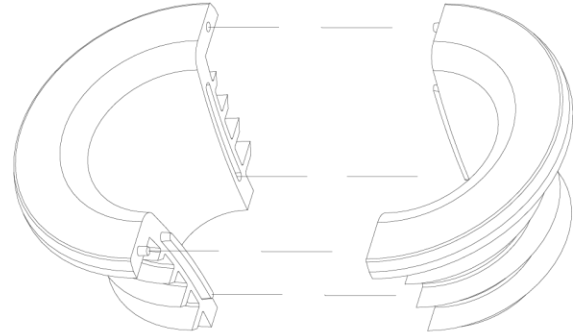
The HPG-10 module provides an elegant cable management solution for smaller tables or special locations on a table.

### Specifications

General	
Dimensions	Max above mounting surface: .08" (2mm) Max below mounting surface: N/A Mounting surface footprint: 1.1" (27mm) diameter Min mounting surface thickness: 1/2" (13mm) Max mounting surface thickness: N/A Table cutout dimensions: 3/4" (19mm) round hole
Weight	1 oz (.05 Kg)
Enclosure	Black plastic



HPG-10  
(Top View)



HPG-10  
(Side View)

**About AMX**

AMX hardware and software solutions simplify the implementation, maintenance, and use of technology to create effective environments. With the increasing number of technologies and operating platforms at work and home, AMX solves the complexity of managing this technology with reliable, consistent and scalable systems. Our award-winning products span control and automation, system-wide switching and audio/video signal distribution, digital signage and technology management. They are implemented worldwide in conference rooms, homes, classrooms, network operation / command centers, hotels, entertainment venues, broadcast facilities, and more. ©2011 AMX. All rights reserved.

**Specifications subject to change. Revised 18-Nov-11.**