

### Overview

HydraPort Retractable Cable Modules are designed to be used in conjunction with the HPX-600/900/1200 or the HydraPort Touch (7"/10") Connection Port base assembly, to provide the convenience of various types of cables in a HydraPort System.

The **HPX-AV102-DP-R** DisplayPort 4K60 Module with Retractable MyTurn Ready Cable (FG552-33) provides a Display cable for resolutions up to 4K60 in a retractable spool that mounts into the HydraPort base assembly (FIG. 1).

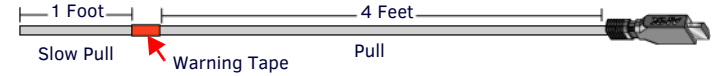
With the addition of a MyTurn™ Source Selection Button (FG554-21) optional accessory, participants can send their content to the display at the press of a button without moving from their seat. Any MyTurn-Ready cable may be equipped with the MyTurn solution. See "Optional MyTurn™ Source Selector Button" on page 2.

The HPX-AV102-DP-R also features Dual Mode DisplayPort (DP++) compatibility and includes a DP to HDMI adapter for connection to HDMI inputs. The retractable module is detachable from the module faceplate for easier installation and replacement

The HPX-AV102-DP-R RCM cable cartridge has a new mounting scheme from underneath the table to simplify installation and upgrade of retractable cable modules. This version RCM has a detachable mounting collar that is installed into the HydraPort base first and then the cable cartridge is reattached to the mounting collar.

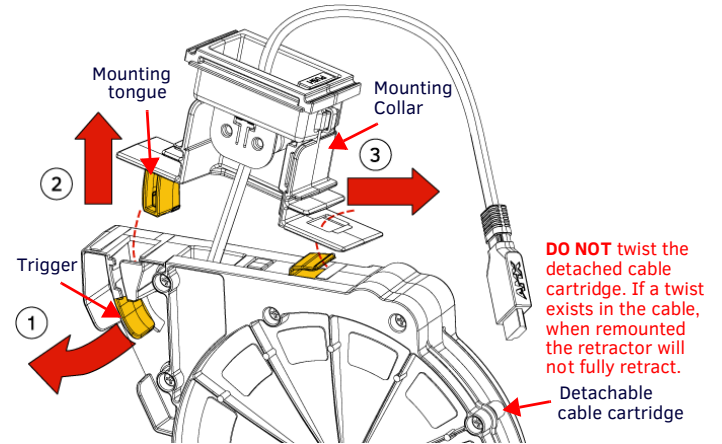
Securely holding the HPX-AV102-ETH-R RCM, extract enough cable to lay the cable cartridge on the floor while installing the mounting collar into the HPX Base Assembly (~3ft). When extracting 5 foot (1.5m) cable from the RCM, follow these simple steps:

4. Pull up to 1.5 meters of cable straight up out of the RCM and then lay it down.
5. Watch for red tape on the cable when extracting. It is a warning to slow pull for the final 1 foot to avoid damage to the RCM (FIG. 3).



**FIG. 3** EXTRACTING CABLE - WARNING BAND

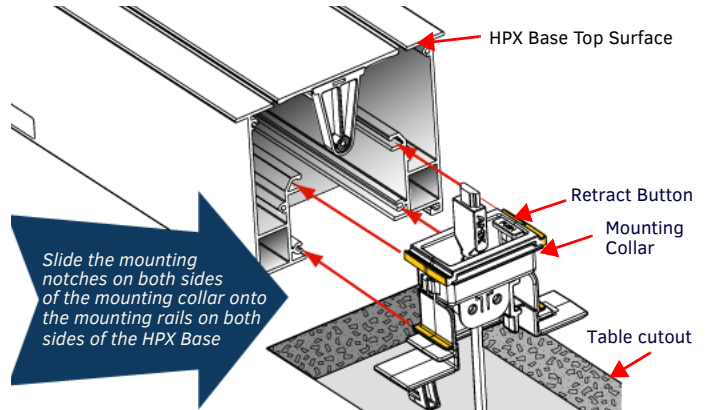
6. Pull the cable cartridge trigger (FIG. 4) to release the mounting collar tongue.



**FIG. 4** HPX-AV102-DP-R MOUNTING COLLAR REMOVAL

7. Lift the mounting collar away from the cable cartridge until the tongue is clear and then slide to the side to clear the hook.
8. Feed the mounting collar up through the table cutout to reach the HPX base assembly. Align the mounting notches on the mounting collar with the mounting rails on the HPX (FIG. 5).

**Note:** Module mounting collars are notched in a "tongue and groove" type fashion to ensure that all modules are oriented correctly in the HPX. Note the orientation of the notched mounting collar on each module before sliding the module(s) into the HPX assembly. On RCMs, ensure the retract buttons are all on the same side.



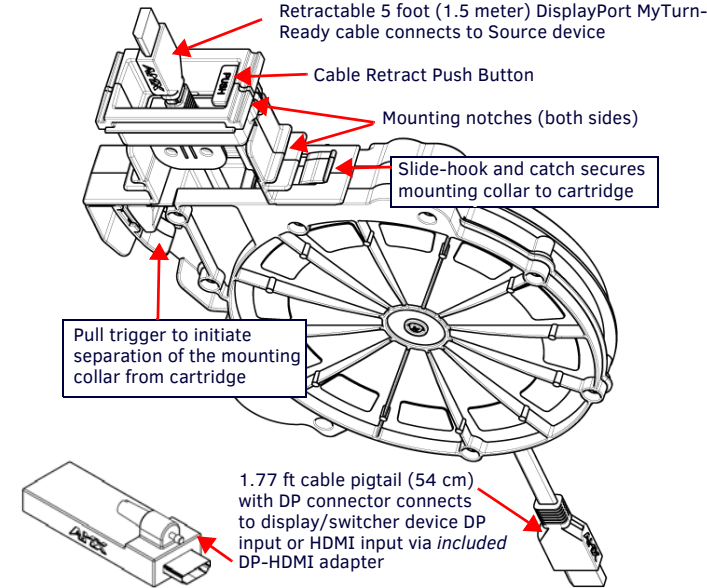
**FIG. 5** RETRACTABLE CABLE MODULE - MOUNTING INTO AN HPX BASE ASSEMBLY

9. Slide the mounting collar into position.
10. Install any remaining module mounting collars into the HPX base.

### Re-Install the End-Cap

**Caution:** Do not use a high-powered torque screw driver. Over-tightening these screws can damage the product.

1. Align the Mounting Notches on the End Cap with the Mounting Rails on the HPX base.
2. Slide the End Cap into the HPX base until it is fully inserted against the end of the base assembly. Watch out for the tension spring under the pivot pawl popping the pivot pawl off the end cap while pressing against the lid pivot point.
3. Secure the End Cap with the 4 to 6 (black) sheet metal screws (FIG. 2).
4. Replace the (silver) pivot screw in the center of the End Cap.



**FIG. 1** HPX-AV102-DP-R DISPLAYPORT MODULE WITH RETRACTABLE CABLE

### Installation

**Warning!** - Do not attempt to open the retractable cable module enclosure. There are no serviceable parts inside the module.

- Opening the module enclosure may result in an uncontrolled release of spring forces which could cause serious injury and/or equipment damage.

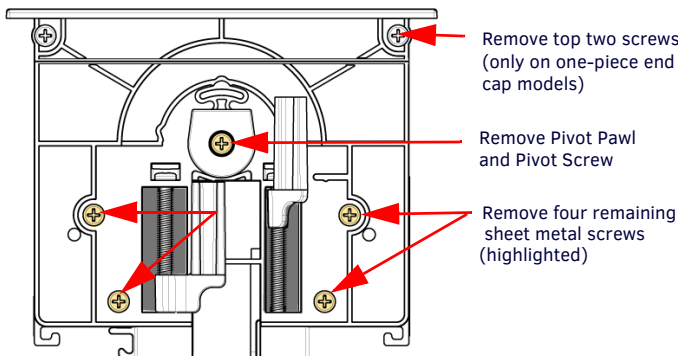
- Opening the module enclosure will void the product warranty.

**Warning!** - installation of the HydraPort in the table should ensure the pull-out length of the cable can reach all potential users of connectivity, as excessively pulling on a fully extended cable can irreparably damage the retractor module.

**Caution:** Only use a hand-held #2 Phillips-head screwdriver for mounting this unit. Over-tightening the screws can hinder performance or damage the unit.

For existing HPX installations, the HPX base must be removed from the mounting surface. See "Existing Installations" on page 2. for HPX Base removal instructions.

1. Remove the (silver) pivot screw in the center of the End Cap (FIG. 2). There is an internal tooth washer underneath it. Keep them together for re-installation.
2. Remove the four (black) sheet metal screws that secure the two-piece End Cap to the HPX assembly (additional top two screws only on one-piece end cap models).



**FIG. 2** HPX BASE ASSEMBLY - MOUNTING/PIVOT SCREW LOCATIONS

3. Gently slide the End Cap out of the HPX base assembly.

## Mount the HPX into the Mounting Surface

**Caution:** Do not use a high-powered torque screw driver. Over-tightening these screws can damage the product.

**Note:** For detailed instructions on installing the HPX base assembly, refer to the HPX-600/900/1200 and HydraPort Touch (7"/10") Installation Guides (available online at [www.amx.com](http://www.amx.com)).

1. Carefully insert the HPX base into the cutout in the mounting surface.
2. Tighten the four mounting screws (FIG. 10) located inside and at each end of the HPX base assembly, to rotate the retaining tabs (FIG. 11) into locking position under the mounting surface.
3. Minding the twist in the cable, feed the excess cable up through the mounting collar and insert the cable cartridge hook into the mounting collar cutout.  
**Note:** If a twist in the cable occurs from rotating the cassette before insertion, the cable will bind and will not fully retract.
4. Push the cable cartridge trigger up onto the mounting collar tongue until it latches (opposite of FIG. 4).
5. Use the Push button to retract the cable into the cartridge.
6. Attach the display ends of the cables as necessary.
7. Use cable ties to secure cable bundles as necessary.

## Mounting Dimensions

FIG. 6 provides dimensions for the retractable cable module, when installed in an HPX-600/900/1200 or HPX-MSP-07/10 base assembly.

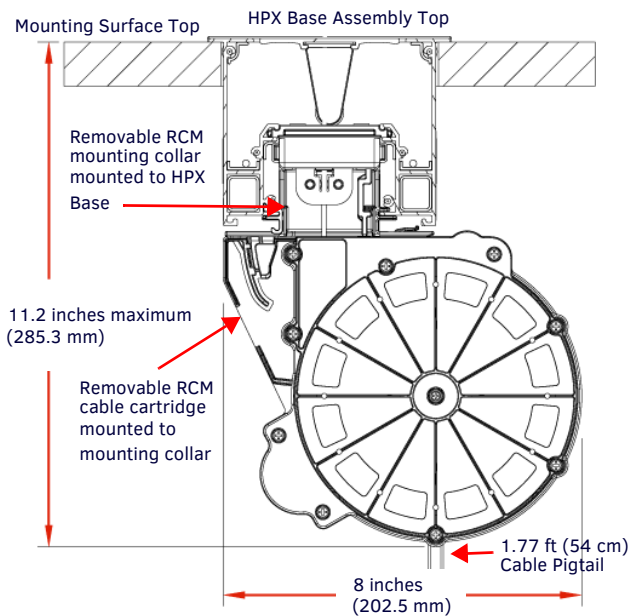


FIG. 6 RCM MODULE (INSTALLED IN AN HPX BASE) - DETAILED DIMENSIONS

## Optional MyTurn™ Source Selector Button

For customers who bought the optional HPA-MYT-TX MyTurn™ Source Selector Button (FG554-21), it clips into the specially designed groove built into the end of a MyTurn ready cable. Users press to send the content on their device to the display. When pressed, the button transmits a signal to an optional receiver (FG554-23) that plugs directly into an AMX switching device such as a Solecis SDX, Enova DVX, or NX Series Controller.



FIG. 9 MYTURN SOURCE SELECTOR

MyTurn Source Selector Buttons are illuminated briefly when that specific device is selected, making it easy to determine whose content is being shown on the display at any given time. Refer to the HPA-MYT-TX documentation for further details.

## Existing Installations

For existing HPX installations, the HPX Base Assembly must be removed from the table surface before the Retractable Cable Modules can be installed.

**Note:** It may be necessary to reorient existing 1st generation RCMs in the chassis to ensure they fit against the non lip edge of MyTurn-Ready 2nd generation RCMs. Otherwise a 1/2 M blank panel (FG558-01) or other non retractable cable module needs to be installed between the 1st Generation and MyTurn-Ready 2nd Generation RCMs.

1. Cut/remove any cable ties that would restrict the removal of the HPX Base Assembly.
2. Loosen the four mounting screws located inside and at each end of the HPX base assembly (FIG. 10), in order to rotate the retaining tabs from under the mounting surface.

**Note:** When the cover of the HPX base is open, only two of these screws are visible. To access the other two screws, tip the cover over to the opposite open position.

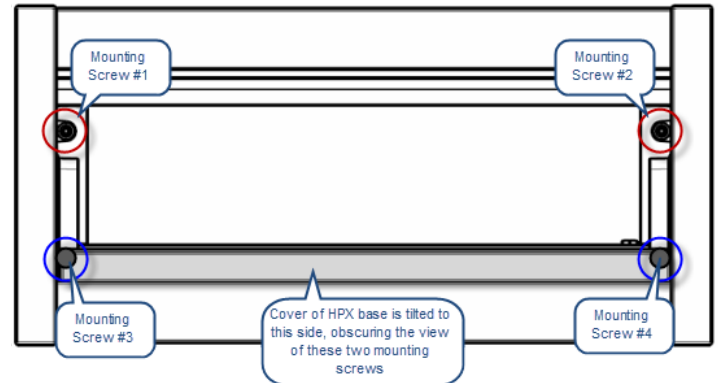


FIG. 10 HPX BASE ASSEMBLY (SHOWN MOUNTED) - MOUNTING SCREWS LOCATIONS

3. Once the retaining tabs have been rotated out from under the mounting surface, the HPX assembly can be lifted away from the mounting surface.

FIG. 11 provides a cutaway view of the End Cap, showing the retaining tabs highlighted in both the loose position and the tightened (secure) position.

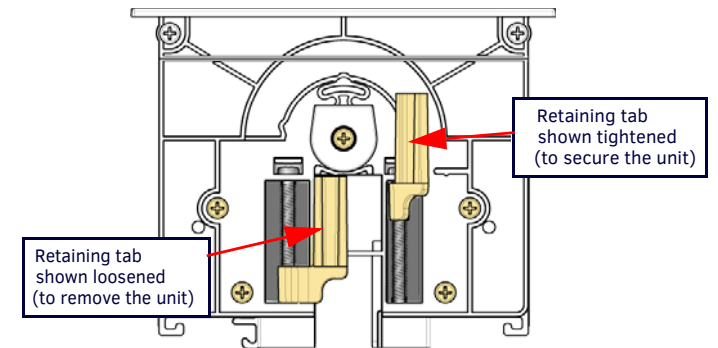


FIG. 11 HPX BASE ASSEMBLY (SHOWN MOUNTED) - MOUNTING SCREWS LOCATIONS

4. Return to the installation section at the bottom left column of page 1 to continue with installing the RCM into the HPX Base assembly.

## Replacing MyTurn-Ready RCMs

Removal of the HPX Base assembly is not required to replace this RCM:

1. Detach the cable cartridge from the mounting collar using the trigger and slide method described in FIG. 4.
2. From the top of the mounting collar, press a small flat blade screwdriver into the notch on the split side of the pop out panel and pop it out of place FIG. 10.
3. Slip the cable out through the mounting collar.
4. Replace with new RCM in reverse order ensuring the cable is not twisted and the pop out panel split is oriented towards the notch in the collar.

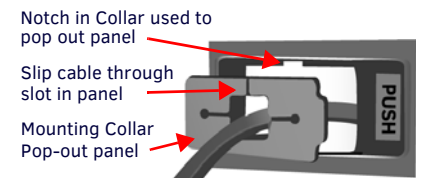


FIG. 10 RCM MOUNTING COLLAR POP-OUT PANEL

## Additional Documentation

Refer to the [Products > Architectural Connectivity](http://www.amx.com) catalog page on [www.amx.com](http://www.amx.com) (Dealer Site) for additional product documentation.

