



INSTRUCTION MANUAL

METREAU® KEYPADS

MET-6N 6-BUTTON KEYPAD WITH NAVIGATION

MET-7 & MET-13 KEYPADS

MET-6NE 6-BUTTON ETHERNET KEYPAD WITH NAVIGATION

MET-7E & MET-13E ETHERNET KEYPADS

MET-7X & MET-13X ETHERNET EXPANSION KEYPADS

DAS-MET6SRC 6-SOURCE AUDIO KEYPAD

DAS-MET-NUM NUMERIC AUDIO KEYPAD



IMPORTANT SAFETY INSTRUCTIONS

1. READ these instructions.
2. KEEP these instructions.
3. HEED all warnings.
4. FOLLOW all instructions.
5. DO NOT use this apparatus near water.
6. CLEAN ONLY with dry cloth.
7. DO NOT block any ventilation openings. Install in accordance with the manufacturer's instructions.
8. DO NOT install near any heat sources such as radiators, heat registers, stoves, or other apparatus (including amplifiers) that produce heat.
9. DO NOT defeat the safety purpose of the polarized or grounding type plug. A polarized plug has two blades with one wider than the other. A grounding type plug has two blades and a third grounding prong. The wider blade or the third prong are provided for your safety. If the provided plug does not fit into your outlet, consult an electrician for replacement of the obsolete outlet.
10. PROTECT the power cord from being walked on or pinched, particularly at plugs, convenience receptacles, and the point where they exit from the apparatus.
11. ONLY USE attachments/accessories specified by the manufacturer.



12. USE ONLY with a cart, stand, tripod, bracket, or table specified by the manufacturer, or sold with the apparatus. When a cart is used, use caution when moving the cart/apparatus combination to avoid injury from tip-over.
13. UNPLUG this apparatus during lightning storms or when unused for long periods of time.
14. REFER all servicing to qualified service personnel. Servicing is required when the apparatus has been damaged in any way, such as power-supply cord or plug is damaged, liquid has been spilled or objects have fallen into the apparatus, the apparatus has been exposed to rain or moisture, does not operate normally, or has been dropped.
15. DO NOT expose this apparatus to dripping or splashing and ensure that no objects filled with liquids, such as vases, are placed on the apparatus.
16. To completely disconnect this apparatus from the AC Mains, disconnect the power supply cord plug from the AC receptacle.
17. Where the mains plug or an appliance coupler is used as the disconnect device, the disconnect device shall remain readily operable.
18. DO NOT overload wall outlets or extension cords beyond their rated capacity as this can cause electric shock or fire.



The exclamation point, within an equilateral triangle, is intended to alert the user to the presence of important operating and maintenance (servicing) instructions in the literature accompanying the product.



The lightning flash with arrowhead symbol within an equilateral triangle is intended to alert the user to the presence of uninsulated "dangerous voltage" within the product's enclosure that may be of sufficient magnitude to constitute a risk of electrical shock to persons.



ESD Warning: The icon to the left indicates text regarding potential danger associated with the discharge of static electricity from an outside source (such as human hands) into an integrated circuit, often resulting in damage to the circuit.

- WARNING:** To reduce the risk of fire or electrical shock, do not expose this apparatus to rain or moisture.
- WARNING:** No naked flame sources - such as candles - should be placed on the product.
- WARNING:** Equipment shall be connected to a MAINS socket outlet with a protective earthing connection.

COPYRIGHT NOTICE

AMX© 2015, all rights reserved. No part of this publication may be reproduced, stored in a retrieval system, or transmitted, in any form or by any means, electronic, mechanical, photocopying, recording, or otherwise, without the prior written permission of AMX. Copyright protection claimed extends to AMX hardware and software and includes all forms and matters copyrightable material and information now allowed by statutory or judicial law or herein after granted, including without limitation, material generated from the software programs which are displayed on the screen such as icons, screen display looks, etc. Reproduction or disassembly of embodied computer programs or algorithms is expressly prohibited.

LIABILITY NOTICE

No patent liability is assumed with respect to the use of information contained herein. While every precaution has been taken in the preparation of this publication, AMX assumes no responsibility for error or omissions. No liability is assumed for damages resulting from the use of the information contained herein. Further, this publication and features described herein are subject to change without notice.

AMX WARRANTY AND RETURN POLICY

The AMX Warranty and Return Policy and related documents can be viewed/downloaded at www.amx.com.

ESD WARNING

	<p>To avoid ESD (Electrostatic Discharge) damage to sensitive components, make sure you are properly grounded before touching any internal materials.</p> <p>When working with any equipment manufactured with electronic devices, proper ESD grounding procedures must be followed to make sure people, products, and tools are as free of static charges as possible. Grounding straps, conductive smocks, and conductive work mats are specifically designed for this purpose. These items should not be manufactured locally, since they are generally composed of highly resistive conductive materials to safely drain static discharges, without increasing an electrocution risk in the event of an accident.</p> <p>Anyone performing field maintenance on AMX equipment should use an appropriate ESD field service kit complete with at least a dissipative work mat with a ground cord and a UL listed adjustable wrist strap with another ground cord</p>
-----------------------------------------------------------------------------------	------------------------------------------------------------------------------------------------------------------------------------------------------------------------------------------------------------------------------------------------------------------------------------------------------------------------------------------------------------------------------------------------------------------------------------------------------------------------------------------------------------------------------------------------------------------------------------------------------------------------------------------------------------------------------------------------------------------------------------------------------------------------------------------------------------------------------------------------------------------------------------------------------------------------------------------------------------------------

	<p>WARNING: Do Not Open! Risk of Electrical Shock. Voltages in this equipment are hazardous to life. No user-serviceable parts inside. Refer all servicing to qualified service personnel.</p> <p>Place the equipment near a main power supply outlet and make sure that you can easily access the power breaker switch.</p>
-----------------------------------------------------------------------------------	-------------------------------------------------------------------------------------------------------------------------------------------------------------------------------------------------------------------------------------------------------------------------------------------------------------------------------------

WARNING: This product is intended to be operated ONLY from the voltages listed on the back panel or the recommended, or included, power supply of the product. Operation from other voltages other than those indicated may cause irreversible damage to the product and void the products warranty. The use of AC Plug Adapters is cautioned because it can allow the product to be plugged into voltages in which the product was not designed to operate. If the product is equipped with a detachable power cord, use only the type provided with your product or by your local distributor and/or retailer. If you are unsure of the correct operational voltage, please contact your local distributor and/or retailer.

FCC AND CANADA EMC COMPLIANCE INFORMATION:

This device complies with part 15 of the FCC Rules. Operation is subject to the following two conditions:

- (1) This device may not cause harmful interference, and (2) this device must accept any interference received, including interference that may cause undesired operation.

NOTE: This equipment has been tested and found to comply with the limits for a Class B digital device, pursuant to part 15 of the FCC Rules. These limits are designed to provide reasonable protection against harmful interference in a residential installation. This equipment generates, uses and can radiate radio frequency energy and, if not installed and used in accordance with the instructions, may cause harmful interference to radio communications. However, there is no guarantee that interference will not occur in a particular installation. If this equipment does cause harmful interference to radio or television reception, which can be determined by turning the equipment off and on, the user is encouraged to try to correct the interference by one or more of the following measures:

- Reorient or relocate the receiving antenna.
- Increase the separation between the equipment and receiver.
- Connect the equipment into an outlet on a circuit different from that to which the receiver is connected.
- Consult the dealer or an experienced radio/TV technician for help.

Approved under the verification provision of FCC Part 15 as a Class B Digital Device.

Caution: Changes or modifications not expressly approved by the manufacturer could void the user's authority to operate this device.

This Class B digital apparatus complies with Canadian ICES-003.

Cet appareil numérique de la classe B est conforme à la norme NMB-003 du Canada.

EU COMPLIANCE INFORMATION:

Eligible to bear the CE mark; Conforms to European Union Low Voltage Directive 2006/95/EC; European Union EMC Directive 2004/108/EC; European Union Restriction of Hazardous Substances Recast (RoHS2) Directive 2011/65/EU; European Union WEEE (recast) Directive 2012/19/EU; European Union Registration, Evaluation, Authorization and Restriction of Chemicals (REACH) Directive 2006/121/EC.

You may obtain a free copy of the Declaration of Conformity by visiting <http://www.amx.com/techcenter/certifications.asp>.

WEEE NOTICE:

	<p>This appliance is labeled in accordance with European Directive 2012/19/EU concerning waste of electrical and electronic equipment (WEEE). This label indicates that this product should not be disposed of with household waste. It should be deposited at an appropriate facility to enable recovery and recycling.</p>
-------------------------------------------------------------------------------------	------------------------------------------------------------------------------------------------------------------------------------------------------------------------------------------------------------------------------------------------------------------------------------------------------------------------------

Table of Contents

Metreau® Keypads	10
Overview	10
Metreau Keypads with Ethernet	10
Metreau Keypads with AxLink	10
Metreau Audio Keypads (SWT Compatible)	10
Overview - Speaker Wire Technology (SWT).....	11
Metreau Keypads Device Family	11
MET-6N and MET-6NE 6-Button Keypads with Navigation.....	12
MET-6N Specifications	12
MET-6NE Specifications	13
Navigation Wheel.....	14
Pushbuttons 7-11	14
Navigation Wheel.....	14
MET-7, MET-7E, and MET-7X 7-Button Keypads.....	14
MET-7 Specifications	15
MET-7E Specifications	15
MET-7X Specifications	16
MET-13, MET-13E, and MET-13X 13-Button Keypads	17
MET-13 Specifications	17
MET-13E Specifications	18
MET-13X Specifications	18
DAS-MET-6SRC Metreau 6-Source Audio Keypad.....	19
DAS-MET-6SRC Specifications.....	19
Pushbuttons 1-6	20
Navigation Wheel.....	20
DAS-MET-NUM Metreau Numeric Audio Keypad.....	20
DAS-MET-NUM Specifications.....	21
Custom Button Installation	22
Overview	22
Removing Buttons	22
Button Kits	22
Audio.....	22
Residential	22
Commercial.....	22
Custom Keypads and Buttons	23
AxLink Device Addressing	24
Overview	24
Device Addressing on MET-6N Keypads.....	24
Setting the AxLink Device Address.....	24

Mounting and Installation	26
Overview	26
Mounting Dimensions	26
MET-6N, DAS-MET-6SRC	26
MET-6NE.....	27
MET-7	28
MET-7E, MET-7X	29
MET-13, DAS-MET-NUM	30
MET-13E, MET-13X	31
Mounting Procedures	31
Wallbox Mounting	31
Podium Mounting.....	31
Accent Frame	31
Daisy-Chaining Keypads (Ethernet Keypads only).....	32
Wiring and Connections	33
Overview	33
Ethernet Wiring	33
AxLink Wiring	34
MET-6N, MET-7, and MET-13 Rear Panel Components	34
AxLink Wiring Guidelines	34
Preparing Captive Wires	34
AxLink Data and Power Connections	35
Using AxLink for Data with an Auxiliary Power Supply.....	35
Orientation of AxLink Connectors.....	35
AxLink Status LED	36
SWT Wiring	36
DAS-MET-6SRC and DAS-MET-7 Rear Panel Components	36
Cable Type	36
Preparing Captive Wires	36
DAS-MET-6SRC - SWT Data and Power Connections.....	37
DAS-MET-NUM - Connecting to the Main DAS-MET-6SRC Keypad	37
Tango System Integration Drawings	38
Tango System Integration Drawing - Using Four-Conductor Speaker Wire	38
Tango System Integration Drawing - Using the Audio Zone Expander	38
SWT Special Wiring Configurations	39
Auxiliary Amplifier Configuration	39
Remote Amplifier Configuration	39
Two-Wire Configurations – Keypad for Control Only.....	40
Split Zone / Analog Volume Control	40
Configuring Metreau Keypads with Ethernet	41
Overview	41

Locating the IP Address of the Keypad	41
Simulating the ID Pushbutton	41
Toggling Between IP Addressing Modes: DHCP and Static IP	41
Assigning a Device ID to a Keypad	41
Resetting the Keypad.....	42
Restoring the Factory Image on the Keypad.....	42
Updating Firmware	43
Sending Firmware to Metreau Keypads (AxLink).....	43
Device Addressing on MET-6N Keypads	43
Sending Firmware to Metreau Keypads with Ethernet	44
Programming the SWT Metreau Keypads	44
Programming	45
Programming the Metreau Keypads	45
Button Layouts.....	45
Channels	45
Port Numbers.....	45
Programming the Navigation Wheel (MET-6N & MET-6NE)	46
Navigation Wheel - Buttons 7-11	46
Navigation Wheel - Buttons 12-13	46
Navigation Wheel - Level Control	46
Display Bargraph	46
Supported SEND_LEVELs	46
SEND_LEVEL.....	46
Supported SEND_COMMANDs.....	47
@BRT	47
@WBRT	47
BMODE	47
?EXPANSION	48
LED-DIS	48
LED-EN	48
REBOOT	48
SET_NDX_DESC	48
LED Feedback for 2-Position Pushbuttons	49
Terminal (Telnet) Commands	49
Establishing a Terminal Connection via Telnet	49
Telnet User Name and Password.....	50
Additional Notes	50
Setting a Telnet User Name and Password	50
Telnet Commands	50
? or Help.....	50
DEVICE STATUS	50
EXIT	50
FACTORYFWIMAGE.....	50
GET CONFIG	51
GET CONNECTION.....	51
GET DEVICE.....	51
GET DNS	51
GET ETHERNET MODE	51

GET FRIENDLY <name>	51
GET IP	52
GET LOCATION	52
GET SN	52
INFO	52
MSG [ON OFF]	52
NDP UNBIND	52
PING [ADDRESS]	52
REBOOT	52
RENEW DHCP	52
RESET FACTORY	52
SET CONNECTION	52
SET DEVICE	53
SET DNS	53
SET ETHERNET MODE	53
SET FRIENDLY	53
SET IP	54
SET LOCATION	54
SET TELNET PORT	54
SET TELNET USERNAME	54
SET TELNET PASSWORD	54
SHOW CONNECTION LOG	54
SHOW CONNECTION STATS	54
Notes on Specific Telnet Clients.....	55
Windows Client Programs	55
Linux Telnet Client	55
Enabling/Disabling Telnet on the Keypad	55
SHOW LOG	55
Basic Keypad Functions - DAS-MET-6SRC	56
Overview	56
DAS-MET-6SRC - Listening to a CD or DVD	56
Selecting the Source for Playback	56
Changing Tracks	56
Pausing Playback	56
Listening to an iPod	56
Listening to the Radio	57
Adjusting the Volume	57
DAS-MET-6SRC - Audio Adjustment Mode	58
Adjusting Bass Level For a Room/Zone	58
Adjusting Treble Level For a Room/Zone	58
Adjusting Balance For a Room/Zone	59
Adjusting SRS Settings For a Room/Zone	59
Turning SRS Off	59
DAS-MET-6SRC - Privacy Mode Off/On	60
Turning Off Privacy Mode	60
Working with Sources	60
DAS-MET-6SRC - Zone Control (On/Off)	61
Turning a Single Zone On/Off	61
Turning On a Source in All Zones	61
Turning Off/On a Source in All Zones	61

Turning Off All Zones (System OFF)	62
DAS-MET-6SRC - Zone Control (Dynamic Pause).....	62
Single Zone Listening To Source	62
Multiple Zones Listening To The Same Source.....	63
DAS-MET-6SRC - Using the Navigation Wheel	63
Using the Navigation Wheel with the Internal AM/FM Tuner.....	63
Using the Navigation Wheel with the Internal SIRIUS Tuner	63
Using the Navigation Wheel with a CD Player/Changer.....	63
Using the Navigation Wheel with a DVD Player/Changer.....	64
Using the Navigation Wheel with a Satellite Radio/Video Box.....	64
Using the Navigation Wheel with an Audio Server	64
Using the Navigation Wheel with an External Tuner	65
Using the Navigation Wheel with Other Sources.....	65
Advanced Functions - DAS-MET-6SRC	66
Overview	66
Direct Access	66
On-Board Tuner - Direct Selection of a Radio Station	66
CD Player - Direct Selection of a Disk and Track.....	66
CD Player - Direct Selection of a Track on the Current Disk	67
Cable and Satellite - Direct Selection of a Channel	67
Working with Presets	68
Creating a Preset	68
Recalling a Preset	68
Clearing All Presets	69
Working with Favorites.....	69
Creating a Favorite for a Specific Source	69
Clearing Favorites for All Sources in a Specific Zone	70
Working with Zone Grouping.....	70
Adding a Zone to a Group	70
Grouping All Zones	71
Un-Grouping All Zones	71
Grouping Volume Control	71
Working with Alarms	72
Setting the System Clock on the Tango Audio Controller	72
Setting an Alarm in a Zone.....	72
Clearing the Alarm for a Specific Zone	72
Clearing All Alarms for All Zones	73
Keypad Lockout	73
Locking a Keypad.....	73
Unlocking a Keypad	74
Unlocking All Keypads	74
Using the NetLinx Module	77

Overview	77
Main Page (Initial View)	77
Main Pages	78
Location/Device Pages	78
Zone Options	79
Change Source	79
Device Control Pages.....	80
Internal Tuner.....	80
Internal Sirius.....	81
DVD.....	82
CD.....	83
Audio Server	84
Satellite.....	85
External Tuner	86
Other	87
Setup Pages.....	88
Setup - Zones	88
Setup - Alarms	89
Adding an Alarm	89
Removing an Alarm.....	91
SWT Troubleshooting	92
Overview	92
Power Connections	92
Zone Connection Problems	92
Dead Zones	92
LED Does Not light.....	92
Source Connections.....	93
No Keypad Activity	93
Keypad Lights, No Sound	93

Metreau® Keypads

Overview

Metreau keypads are a convenient, versatile, cost-effective option for achieving effortless control of virtually anything through a NetLinX® control system. Metreau keypads offer easy installation within Decora-style wall plates and sleek styling that complements NetLinX Integrated Controllers (all keypads) and Tango Distributed Audio Systems (Audio Keypads only).

There are three basic variations within the Metreau device family:

Metreau Keypads with Ethernet

The MET-6NE, MET-7E and MET-13E keypads connect to a NetLinX control system via category cable. These keypads can be used as individual keypads or in conjunction with the MET-7X or MET-13X Metreau Ethernet Expansion Keypads.

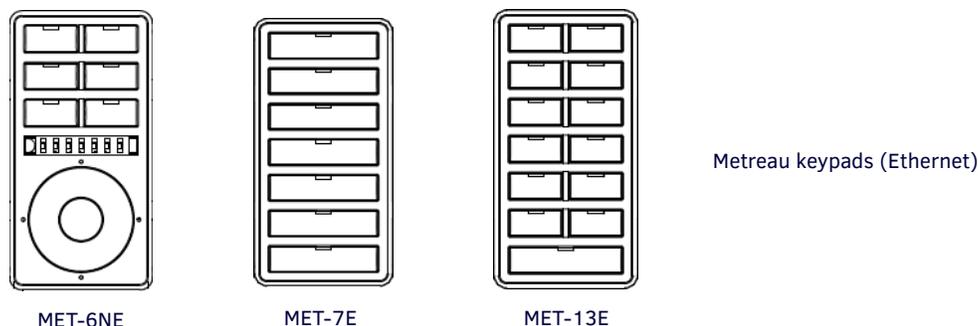


FIG. 1 Metreau Keypads with Ethernet

Metreau Keypads with AxLink

The MET-6N, MET-7 and MET-13 keypads are AxLink-compatible, for use with NetLinX control systems (FIG. 2).

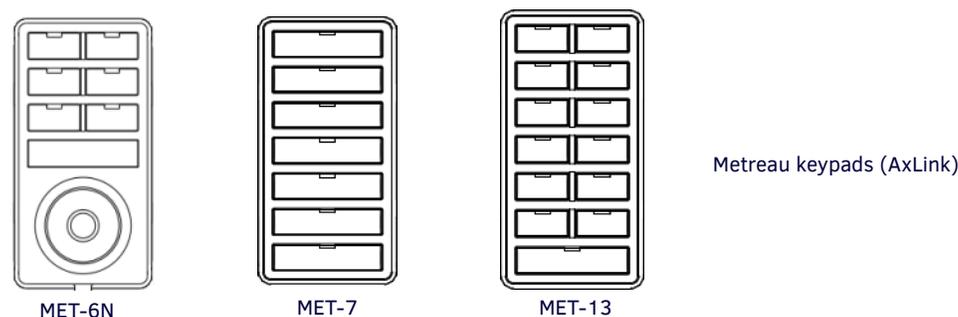


FIG. 2 Metreau Keypads with AxLink

Metreau Audio Keypads (SWT Compatible)

The DAS-MET-6SRC and DAS-MET-NUM are SWT-compatible, for use with Matrix Audio distribution systems, via Speaker Wire Technology (SWT). Metreau Audio keypads are compatible with all Matrix products including Tango and Mi Series Audio Controllers as well as XA Carbon Series Amplifiers (FIG. 3).

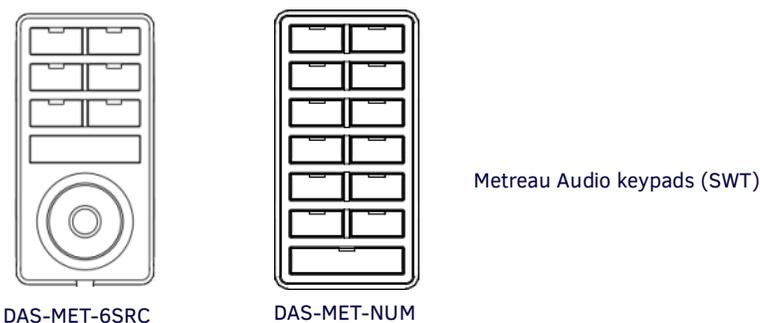


FIG. 3 Metreau Audio keypads

Note: In terms of SWT functionality, the Metreau Audio keypads (DAS-MET-6SRC & DAS-MET-NUM) are a close match to previous versions of Matrix KP and NUM keypads.

Overview - Speaker Wire Technology (SWT)

Speaker Wire Technology (SWT) allows both data and audio signals to travel over the same four conductor wire. This remarkable technology removes the need for control wire since the control and audio signals are shared on the same wire. The reliability and simplicity of this system has been proven for years. AMX Matrix Audio is the only company that offers a “retrofit solution”, one which allows the replacement of volume controls with AMX Matrix Audio keypads and Controllers, giving full control over the sources.

Additionally, the versatility of SWT also allows AMX Matrix Audio products to be connected where the control wire has been run separately from the speaker cable.

Metreau Keypads Device Family

All Metreau keypads are available in two colors: White and Black. Some older models are also available in Light Almond. The following table lists the keypads in the Metreau family, with descriptions and FG#s for each color.

Metreau Keypads Device Family		
Name	Description	Colors/FG#s
MET-6N	Metreau 6-Button Keypad with Navigation	<ul style="list-style-type: none"> White (FG5794-01-WH) Black (FG5794-01-BL) Light Almond (FG5794-01-LA)
MET-7	Metreau 7-Button Keypad	<ul style="list-style-type: none"> White (FG5794-03-WH) Black (FG5794-03-BL) Light Almond (FG5794-03-LA)
MET-13	Metreau 13-Button Keypad	<ul style="list-style-type: none"> White (FG5794-02-WH) Black (FG5794-02-BL) Light Almond (FG5794-02-LA)
MET-6NE	Metreau 6-Button Ethernet Keypad with Navigation	<ul style="list-style-type: none"> White (FG5793-01-WH) Black (FG5793-01-BL)
MET-7E	Metreau 7-Button Ethernet Keypad	<ul style="list-style-type: none"> White (FG5793-03-WH) Black (FG5793-03-BL)
MET-13E	Metreau 13-Button Ethernet Keypad	<ul style="list-style-type: none"> White (FG5793-02-WH) Black (FG5793-02-BL)
MET-7X	Metreau 7-Button Ethernet Expansion Keypad	<ul style="list-style-type: none"> White (FG5793-13-WH) Black (FG5793-13-BL)
MET-13X	Metreau 13-Button Ethernet Expansion Keypad	<ul style="list-style-type: none"> White (FG5793-12-WH) Black (FG5793-12-BL)
DAS-MET-6SRC	Metreau 6-Source Audio Keypad	<ul style="list-style-type: none"> White (FG1122-01-WH) Black (FG1122-01-BL) Light Almond (FG1122-01-LA)
DAS-MET-NUM	Metreau Numeric Audio Keypad	<ul style="list-style-type: none"> White (FG1122-02-WH) Black (FG1122-02-BL) Light Almond (FG1122-02-LA)

MET-6N and MET-6NE 6-Button Keypads with Navigation

The Metreau 6-button keypads feature source control, visual volume feedback, and a navigation wheel that adjusts volume and provides up, down, left, right and center button options. FIG. 4 displays the MET-6N. The MET-6NE differs slightly in appearance, but has the same button functionality as the MET-6N.

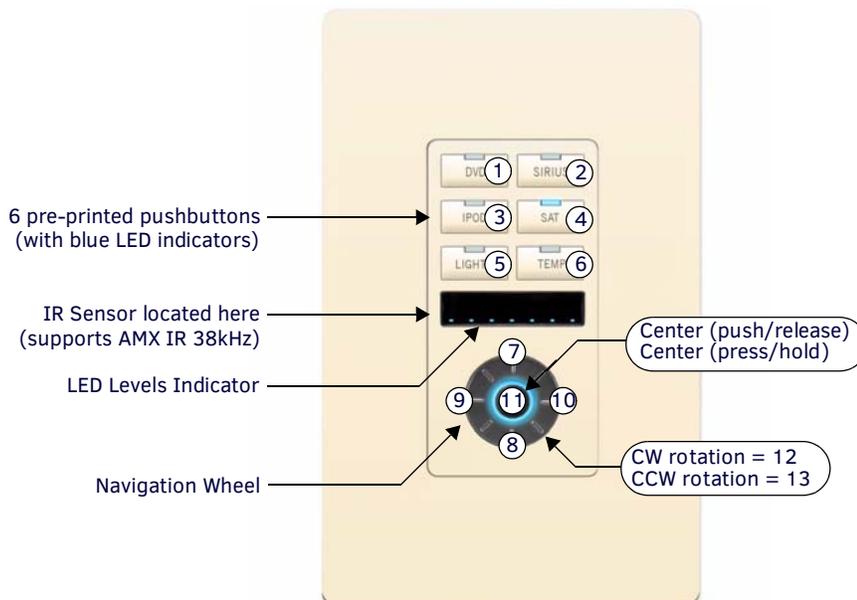


FIG. 4 MET-6N Metreau 6-Button keypad with Navigation (Light Almond shown)

The MET-6N is an AxLink keypad, suitable for use in NetLinx Control Systems.

MET-6N Specifications

MET-6N Specifications	
Power:	12 VDC, 75 mA
Front Panel Components:	<ul style="list-style-type: none"> Pushbuttons - 6 tactile pushbuttons with blue LED indicators that illuminate when pressed to confirm the source/function was selected and that it is currently being used. These pre-printed buttons are field-replaceable. IR Sensor - Supports standard AMX IR (38 kHz only). LED Levels Indicator - set of 7 blue LEDs provide level feedback. Navigation Wheel - consists of 5 pushbuttons: 4 directional pushbuttons (Up, Down, Right, Left), 1 center pushbutton, and bi-directional rotating wheel for channel adjustments. The Navigation wheel itself provides two button functions as well (rotate CW = button #12, and rotate CCW = button #13, as indicated in FIG. 5).
Rear Panel Components:	<ul style="list-style-type: none"> DIP switch - 8 position mini DIP switch used to set the device address for the keypad on the AxLink Bus (1-255). AxLink connector - 4 pin 3.5mm Phoenix connector for AxLink connection to the NetLinx Master.
Dimensions (HWD):	<ul style="list-style-type: none"> Keypad and Mounting Plate: 4.055" x 1.772" x 0.997" (103mm x 45mm x 25.32mm) Mounts into standard Decora-style wall plates.
Weight:	0.15 lbs. (0.068 kg)
Operating Environment:	<ul style="list-style-type: none"> Operating Temperature: 32° - 104° F (0° - 40° C). Relative Humidity: 5% - 85%, non-condensing. Intended for indoor use only.
Certifications:	<ul style="list-style-type: none"> FCC Class B CE IEC60950 RoHS
Colors:	<ul style="list-style-type: none"> White (FG5794-01-WH) Black (FG5794-01-BL) Light Almond (FG5794-01-LA)
Optional Accessories:	<ul style="list-style-type: none"> Single Button Kit (FG5794-10) Lutron Cairo Wallplates (available in a variety of sizes and colors)

The MET-6NE is an Ethernet keypad, suitable for use in NetLinx Control Systems.

MET-6NE Specifications

MET-6NE Specifications	
Power:	<ul style="list-style-type: none"> PoE: PoE (Power over Ethernet), 802.3af, class 0 Power Connector: (1) RJ-45 Ethernet Connector, 10/100
Power Supply:	POE injector or switch (external, required), conforming to the 802.3af standard including AMX's PS-POE-AF-TC (FG423-83), not included
Front Panel Components:	<ul style="list-style-type: none"> Pushbuttons - 6 tactile pushbuttons with blue LED indicators that illuminate when pressed to confirm the source/function was selected and that it is currently being used. These pre-printed buttons are field-replaceable. IR Sensor - Supports standard AMX IR (38 kHz only). LED Levels Indicator - set of 7 blue LEDs provide level feedback. Navigation Wheel - consists of 5 pushbuttons: 4 directional pushbuttons (Up, Down, Right, Left), 1 center pushbutton, and bi-directional rotating wheel for channel adjustments. The Navigation wheel itself provides two button functions as well (rotate CW = button #12, and rotate CCW = button #13, as indicated in FIG. 5).
Rear Panel Components:	<ul style="list-style-type: none"> (1) RJ-45 Ethernet connector, 10/100 (1) 10-pin IDC-type connector for connection to expansion keypads
Dimensions (HWD):	<ul style="list-style-type: none"> Keypad and Mounting Plate: 4" x 1 3/4" x 1" (10.3 cm x 4.5 cm x 2.5 cm) Mounts into standard Decora-style wall plates.
Weight:	0.17 lbs. (0.07 kg)
Operating Environment:	<ul style="list-style-type: none"> Operating Temperature: 32° - 104° F (0° - 40° C). Relative Humidity: 5% - 85%, non-condensing. Intended for indoor use only.
Certifications:	<ul style="list-style-type: none"> FCC Class B CE IEC60950 RoHS
Colors:	<ul style="list-style-type: none"> White (FG5793-01-WH) Black (FG5793-01-BL)
Optional Accessories:	<ul style="list-style-type: none"> PS-POE-AF-TC, PoE Injector, 802.3AF Compliant (FG423-83) ALD-CW-1, 1-Gang Claro Wallplate (FG2605-81-BL/FG2605-81-WH) ALD-CW-2, 2-Gang Claro Wallplate (FG2605-82-BL/FG2605-82-WH) ALD-CW-3, 3-Gang Claro Wallplate (FG2605-83-BL/FG2605-83-WH) <p>Can be used in conjunction with up to two Metreau Ethernet Expansion Keypads:</p> <ul style="list-style-type: none"> MET-13X-WH, Metreau 13-Button Expansion Keypad (FG5793-12-WH) MET-13X-BL, Metreau 13-Button Expansion Keypad (FG5793-12-BL) MET-7X-WH, Metreau 7-Button Expansion Keypad (FG5793-13-WH) MET-7X-BL, Metreau 7-Button Expansion Keypad (FG5793-13-BL)

Navigation Wheel

FIG. 5 shows the button layout of the Navigation Wheel:

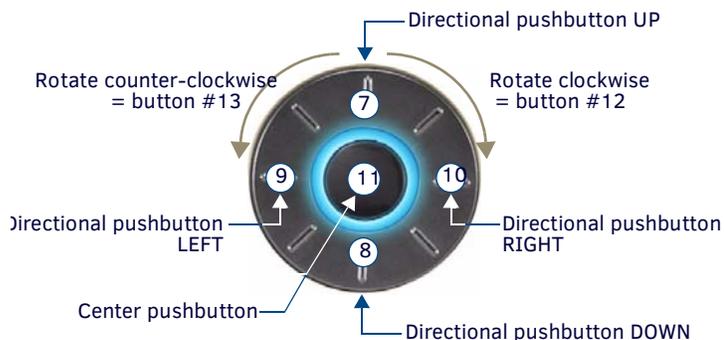


FIG. 5 Navigation Wheel - button layout (MET-6N displayed)

Pushbuttons 7-11

The top, bottom, left, right and center points on the Navigation Wheel are pushbuttons #7, #8, #9, #10 and #11, and can be programmed like any other button.

Navigation Wheel

The Navigation Wheel itself can be rotated clockwise and counterclockwise, and is intended to provide level control (for example volume or lighting levels).

- When rotated clockwise, the Navigation Wheel provides a channel event on button #12.
- When rotated counter-clockwise, the Navigation Wheel provides a channel event on button #13.
- The light on the Navigation Wheel can be illuminated by activating channel #11 (MET-6N only).

MET-7, MET-7E, and MET-7X 7-Button Keypads

The Metreau 7-button keypads offer 7 double-width buttons that can be used as in individual keypad or in conjunction with the 6- and 13-button Metreau keypads. FIG. 6 displays the MET-7. The MET-7E differs slightly in appearance, but has the same button functionality as the MET-7.

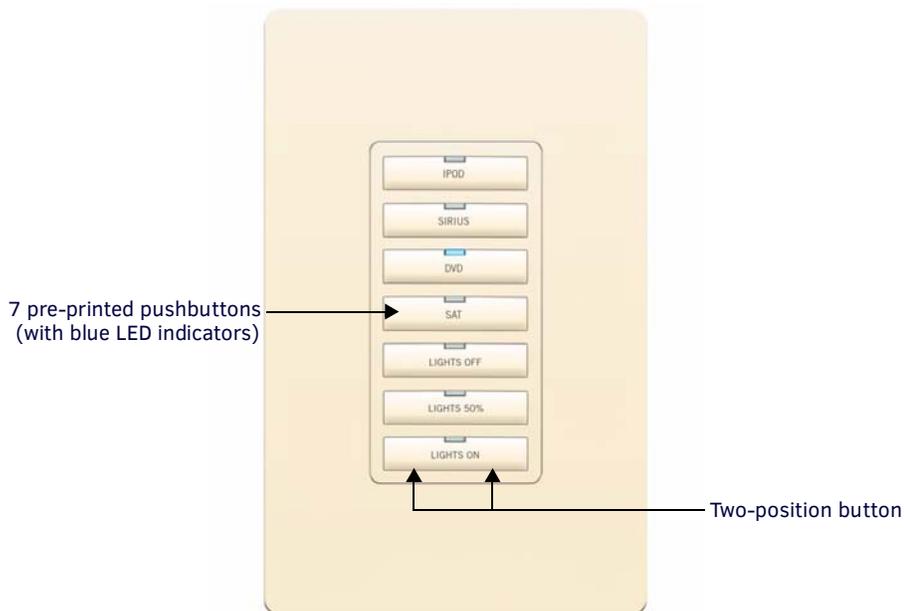


FIG. 6 MET-7 Metreau 7-Button keypad (Light Almond shown)

The MET-7 is an AxLink keypad, suitable for use in NetLinx Control Systems.

MET-7 Specifications

MET-7 Specifications	
Power:	12 VDC, 30 mA
Front Panel Components:	Pushbuttons - 7 tactile pushbuttons with blue LED indicators that illuminate when pressed to confirm the source/function was selected and that it is currently being used. These pre-printed buttons are field-replaceable. The bottom button functions as 2 buttons - there are 2 positions (left and right) that allow the user to control channel/levels (up/down).
Rear Panel Components:	<ul style="list-style-type: none"> DIP switch - 8-position mini DIP switch used to set the device address for the keypad on the AxLink Bus (1-255). AxLink connector - 4-pin 3.5mm Phoenix connector for AxLink connection to the NetLinx Master.
Dimensions (HWD):	<ul style="list-style-type: none"> Keypad and Mounting Plate: 4.055" x 1.772" x 0.818" (103mm x 45mm x 207mm) Mounts into standard Decora-style wall plates.
Weight:	0.15 lbs. (0.068 kg)
Operating Environment:	<ul style="list-style-type: none"> Operating Temperature: 32° - 104° F (0° - 40° C). Relative Humidity: 5% - 85%, non-condensing. Intended for indoor use only.
Certifications:	<ul style="list-style-type: none"> FCC Class B CE IEC60950 RoHS
Colors:	<ul style="list-style-type: none"> White (FG5794-03-WH) Black (FG5794-03-BL) Light Almond (FG5794-03-LA)
Optional Accessories:	<ul style="list-style-type: none"> Single Button Kit (FG5794-10) Double Button Kit (FG5794-11) Lutron Cairo Wallplates (available in a variety of sizes and colors)

MET-7E Specifications

The MET-7E is an Ethernet keypad, suitable for use in NetLinx Control Systems.

MET-7E Specifications	
Power:	<ul style="list-style-type: none"> PoE: PoE (Power over Ethernet), 802.3af, class 0 Power Connector: (1) RJ-45 Ethernet Connector, 10/100
Power Supply:	POE injector or switch (external, required), conforming to the 802.3af standard including AMX's PS-POE-AF-TC (FG423-83), not included
Front Panel Components:	Pushbuttons - 7 tactile pushbuttons with blue LED indicators that illuminate when pressed to confirm the source/function was selected and that it is currently being used. These pre-printed buttons are field-replaceable.
Rear Panel Components:	<ul style="list-style-type: none"> (1) RJ-45 Ethernet connector, 10/100 (1) 10-pin IDC-type connector for connection to expansion keypads
Dimensions (HWD):	<ul style="list-style-type: none"> Keypad and Mounting Plate: 4" x 1 3/4" x 1" (10.3 cm x 4.5 cm x 2.5 cm) Mounts into standard Decora-style wall plates.
Weight:	0.18 lbs. (0.08 kg)
Operating Environment:	<ul style="list-style-type: none"> Operating Temperature: 32° - 104° F (0° - 40° C). Relative Humidity: 5% - 85%, non-condensing. Intended for indoor use only.
Certifications:	<ul style="list-style-type: none"> FCC Class B CE IEC60950 RoHS
Colors:	<ul style="list-style-type: none"> White (FG5793-01-WH) Black (FG5793-01-BL)
Optional Accessories:	<ul style="list-style-type: none"> PS-POE-AF-TC, PoE Injector, 802.3AF Compliant (FG423-83) ALD-CW-1, 1-Gang Claro Wallplate (FG2605-81-BL/FG2605-81-WH) ALD-CW-2, 2-Gang Claro Wallplate (FG2605-82-BL/FG2605-82-WH) ALD-CW-3, 3-Gang Claro Wallplate (FG2605-83-BL/FG2605-83-WH) <p>Can be used in conjunction with up to two Metreau Ethernet Expansion Keypads:</p> <ul style="list-style-type: none"> MET-13X-WH, Metreau 13-Button Expansion Keypad (FG5793-12-WH) MET-13X-BL, Metreau 13-Button Expansion Keypad (FG5793-12-BL) MET-7X-WH, Metreau 7-Button Expansion Keypad (FG5793-13-WH) MET-7X-BL, Metreau 7-Button Expansion Keypad (FG5793-13-BL)

MET-7X Specifications

The MET-7X is an Ethernet Expansion keypad, suitable for use in NetLinx Control Systems.

MET-7X Specifications	
Power:	PoE: The Expansion Keypad receives power from the Metreau Ethernet Keypad it is connected to (options include MET-6NE, MET-7E and MET-13E) via the ribbon cable. See the power options for the connected Ethernet keypad for PoE specifications
Front Panel Components:	(7) tactile pushbuttons with blue LED indicators that illuminate when pressed to confirm the source/function was selected and that it is currently being used. These pre-printed buttons are field-replaceable.
Rear Panel Components:	<ul style="list-style-type: none"> • (1) 10-pin IDC-type connector for connection to additional expansion keypads • (1) ribbon cable for connection to Ethernet keypads
Dimensions (HWD):	<ul style="list-style-type: none"> • Keypad and Mounting Plate: 4" x 1 3/4" x 1" (10.3 cm x 4.5 cm x 2.5 cm) • Mounts into standard Decora-style wall plates.
Weight:	0.14 lbs. (0.06 kg)
Operating Environment:	<ul style="list-style-type: none"> • Operating Temperature: 32° - 104° F (0° - 40° C). • Relative Humidity: 5% - 85%, non-condensing. • Intended for indoor use only.
Certifications:	<ul style="list-style-type: none"> • FCC Class B • CE • IEC60950 • RoHS
Colors:	<ul style="list-style-type: none"> • White (FG5793-01-WH) • Black (FG5793-01-BL)
Optional Accessories:	<ul style="list-style-type: none"> • ALD-CW-1, 1-Gang Claro Wallplate (FG2605-81-BL/FG2605-81-WH) • ALD-CW-2, 2-Gang Claro Wallplate (FG2605-82-BL/FG2605-82-WH) • ALD-CW-3, 3-Gang Claro Wallplate (FG2605-83-BL/FG2605-83-WH)

MET-13, MET-13E, and MET-13X 13-Button Keypads

The Metreau 13-button keypads offer 13 buttons (12 single-width and 1 double-width) and can be used as in individual keypad or in conjunction with the 6- and 7-button Metreau keypads. FIG. 7 displays the MET-13. The MET-13E differs slightly in appearance, but has the same button functionality as the MET-13.

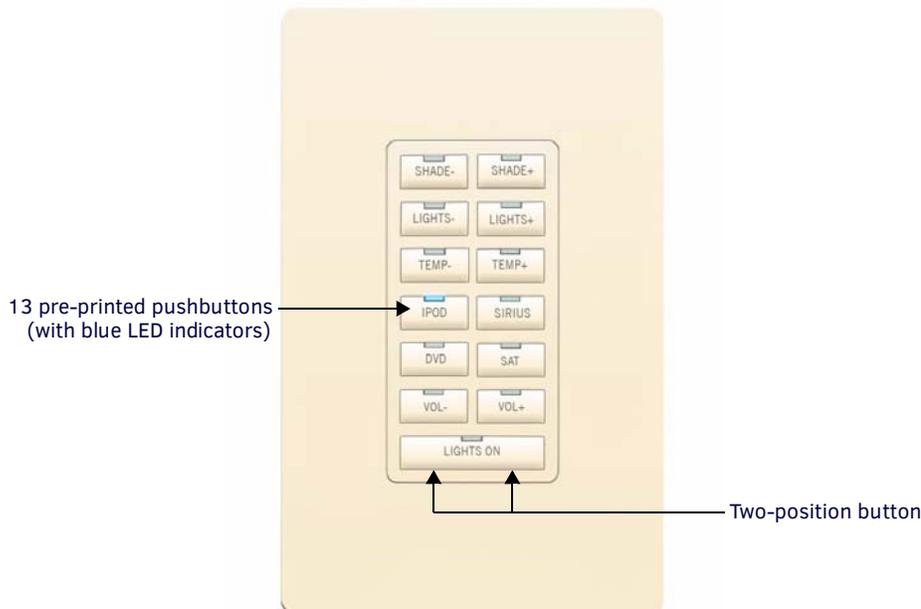


FIG. 7 MET-13 Metreau 13-Button keypad (Light Almond shown)

The MET-13 is an AxLink keypad, suitable for use in NetLinx Control Systems.

MET-13 Specifications

MET-13 Specifications	
Power:	12 VDC, 30 mA
Front Panel Components:	Pushbuttons - 13 tactile pushbuttons with blue LED indicators that illuminate when pressed to confirm the source/function was selected and that it is currently being used (12 single-width, 1 double-width). These pre-printed buttons are field-replaceable. The bottom button functions as 2 buttons - there are 2 positions (left and right) that allow the user to control channels (up/down).
Rear Panel Components:	<ul style="list-style-type: none"> DIP switch - 8-position mini DIP switch used to set the device address for the keypad on the AxLink Bus (1-255). AxLink connector - 4-pin 3.5mm Phoenix connector for AxLink connection to the NetLinx Master.
Dimensions (HWD):	<ul style="list-style-type: none"> Keypad and Mounting Plate: 4.055" x 1.772" x 0.818" (103mm x 45mm x 207mm) Mounts into standard Decora-style wall plates.
Weight:	0.15 lbs. (0.068 kg)
Operating Environment:	<ul style="list-style-type: none"> Operating Temperature: 32° - 104° F (0° - 40° C). Relative Humidity: 5% - 85%, non-condensing. Intended for indoor use only.
Certifications:	<ul style="list-style-type: none"> FCC Class B CE IEC60950 RoHS
Colors:	<ul style="list-style-type: none"> White (FG5794-02-WH) Black (FG5794-02-BL) Light Almond (FG5794-02-LA)
Optional Accessories:	<ul style="list-style-type: none"> Single Button Kit (FG5794-10) Double Button Kit (FG5794-11) Lutron Cairo Wallplates (available in a variety of sizes and colors)

MET-13E Specifications

The MET-13E is an Ethernet keypad, suitable for use in NetLinX Control Systems.

MET-13E Specifications	
Power:	<ul style="list-style-type: none"> PoE: PoE (Power over Ethernet), 802.3af, class 0 Power Connector: (1) RJ-45 Ethernet Connector, 10/100
Power Supply:	POE injector or switch (external, required), conforming to the 802.3af standard including AMX's PS-POE-AF-TC (FG423-83), not included
Front Panel Components:	(13) tactile pushbuttons with blue LED indicators that illuminate when pressed to confirm the source/function was selected and that it is currently being used. These pre-printed buttons are field-replaceable.
Rear Panel Components:	<ul style="list-style-type: none"> (1) RJ-45 Ethernet connector, 10/100 (1) 10-pin IDC-type connector for connection to expansion keypads
Dimensions (HWD):	<ul style="list-style-type: none"> Keypad and Mounting Plate: 4" x 1 3/4" x 1" (10.3 cm x 4.5 cm x 2.5 cm) Mounts into standard Decora-style wall plates.
Weight:	0.18 lbs. (0.08 kg)
Operating Environment:	<ul style="list-style-type: none"> Operating Temperature: 32° - 104° F (0°- 40° C). Relative Humidity: 5% - 85%, non-condensing. Intended for indoor use only.
Certifications:	<ul style="list-style-type: none"> FCC Class B CE IEC60950 RoHS
Colors:	<ul style="list-style-type: none"> White (FG5793-01-WH) Black (FG5793-01-BL)
Optional Accessories:	<ul style="list-style-type: none"> PS-POE-AF-TC, PoE Injector, 802.3AF Compliant (FG423-83) ALD-CW-1, 1-Gang Claro Wallplate (FG2605-81-BL/FG2605-81-WH) ALD-CW-2, 2-Gang Claro Wallplate (FG2605-82-BL/FG2605-82-WH) ALD-CW-3, 3-Gang Claro Wallplate (FG2605-83-BL/FG2605-83-WH) <p>Can be used in conjunction with up to two Metreau Ethernet Expansion Keypads:</p> <ul style="list-style-type: none"> MET-13X-WH, Metreau 13-Button Expansion Keypad (FG5793-12-WH) MET-13X-BL, Metreau 13-Button Expansion Keypad (FG5793-12-BL) MET-7X-WH, Metreau 7-Button Expansion Keypad (FG5793-13-WH) MET-7X-BL, Metreau 7-Button Expansion Keypad (FG5793-13-BL)

MET-13X Specifications

The MET-13X is an Ethernet Expansion keypad, suitable for use in NetLinX Control Systems.

MET-13X Specifications	
Power:	PoE: The Expansion Keypad receives power from the Metreau Ethernet Keypad it is connected to (options include MET-6NE, MET-7E and MET-13E) via the ribbon cable. See the power options for the connected Ethernet keypad for PoE specifications
Front Panel Components:	(13) tactile pushbuttons with blue LED indicators that illuminate when pressed to confirm the source/function was selected and that it is currently being used. These pre-printed buttons are field-replaceable.
Rear Panel Components:	<ul style="list-style-type: none"> (1) 10-pin IDC-type connector for connection to additional expansion keypads (1) ribbon cable for connection to Ethernet keypads
Dimensions (HWD):	<ul style="list-style-type: none"> Keypad and Mounting Plate: 4" x 1 3/4" x 1" (10.3 cm x 4.5 cm x 2.5 cm) Mounts into standard Decora-style wall plates.
Weight:	0.14 lbs. (0.06 kg)
Operating Environment:	<ul style="list-style-type: none"> Operating Temperature: 32° - 104° F (0°- 40° C). Relative Humidity: 5% - 85%, non-condensing. Intended for indoor use only.
Certifications:	<ul style="list-style-type: none"> FCC Class B CE IEC60950 RoHS
Colors:	<ul style="list-style-type: none"> White (FG5793-01-WH) Black (FG5793-01-BL)
Optional Accessories:	<ul style="list-style-type: none"> ALD-CW-1, 1-Gang Claro Wallplate (FG2605-81-BL/FG2605-81-WH) ALD-CW-2, 2-Gang Claro Wallplate (FG2605-82-BL/FG2605-82-WH) ALD-CW-3, 3-Gang Claro Wallplate (FG2605-83-BL/FG2605-83-WH)

DAS-MET-6SRC Metreau 6-Source Audio Keypad

The DAS-MET-6SRC 6-button keypad (FIG 8) features source control, visual volume feedback and a navigation wheel that adjusts volume and provides up, down, left, right and center button options (see the *Basic Keypad Functions - DAS-MET-6SRC* section on page 56 for information).

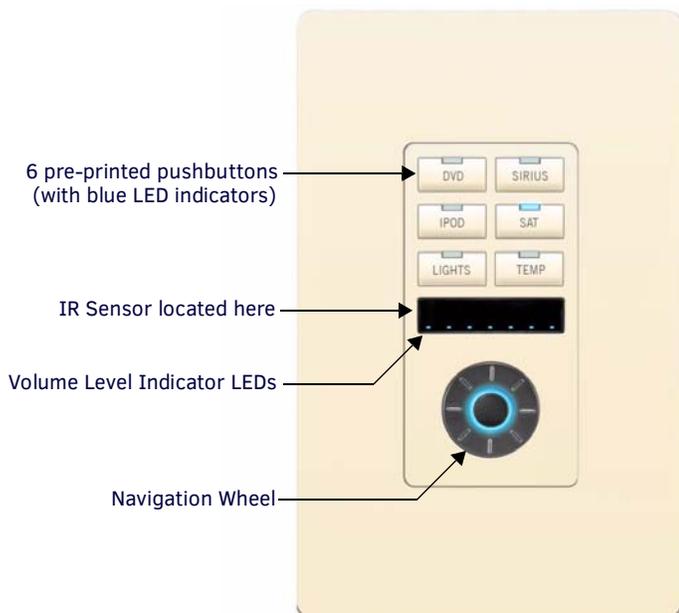


FIG. 8 DAS-MET-6SRC Metreau 6-Source Audio keypad (Light Almond shown)

The DAS-MET-6SRC is a SWT keypad, suitable for use in Matrix Distributed Audio Systems.

DAS-MET-6SRC Specifications

DAS-MET-6SRC Specifications	
Power:	12 VDC, 125 mA
Front Panel Components:	<ul style="list-style-type: none"> Pushbuttons - 6 tactile pushbuttons with blue LED indicators that illuminate when the source is selected, and stay lit until the source is turned off. These pre-printed buttons are field-replaceable. IR Sensor - Works specifically with the MIO-R1-AUDIO remote controller (38 kHz only). LED Levels Indicator - set of 7 blue LEDs provide volume level feedback. Navigation Wheel - consists of 5 pushbuttons: 4 directional pushbuttons (Up, Down, Right, Left), 1 center pushbutton, and bi-directional rotating wheel for volume adjustments. Note that the center pushbutton is dual-purpose: a push/release provides one function, while a press/hold provides another.
Rear Panel Components:	Wiring connection - Two 4-pin SWT connectors that provide connection from the Matrix Audio Controller, and to the speakers.
Dimensions (HWD):	<ul style="list-style-type: none"> Keypad and Mounting Plate: 4.055" x 1.772" x 0.997" (103mm x 45mm x 25.32mm) Mounts into standard Decora-style wall plates.
Weight:	0.15 lbs. (0.068 kg)
Operating Environment:	<ul style="list-style-type: none"> Operating Temperature: 32° - 104° F (0° - 40° C). Relative Humidity: 5% - 85%, non-condensing. Intended for indoor use only.
Certifications:	<ul style="list-style-type: none"> FCC Class B CE IEC60950 RoHS
Colors:	<ul style="list-style-type: none"> White (FG1122-01-WH) Black (FG1122-01-BL) Light Almond (FG1122-01-LA)
Optional Accessories:	<ul style="list-style-type: none"> Single Button Kit (FG5794-10) Lutron Cairo Wallplates (available in a variety of sizes and colors)

Pushbuttons 1-6

The top, bottom, left and right points on the Navigation Wheel are used for source control and can be programmed to provide any source functionality by learning the applicable IR code.

The center pushbutton is dual-purpose: a push/release on this button provides one function, while a press/hold provides another. The center pushbutton are also used for source control and can be programmed to provide any source functionality (again, by learning the applicable IR code).

Navigation Wheel

FIG. 9 shows the button layout of the Navigation Wheel:

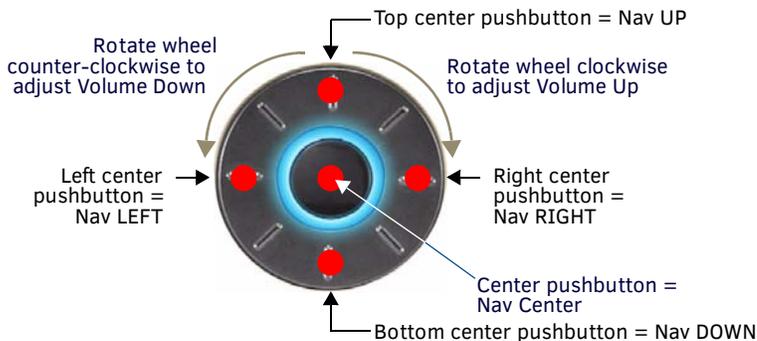


FIG. 9 Navigation Wheel - button layout

The Navigation Wheel can be rotated bi-directionally, and provides volume level control:

- Clockwise rotation increases the volume level, counter-clockwise rotation decreases the volume level.
- The range for volume is 0 - 70.

DAS-MET-NUM Metreau Numeric Audio Keypad

The DAS-MET-NUM Metreau numeric keypad (FIG. 10) connects to the Main DAS-MET-6SRC keypad via a 14-pin connector. Used in conjunction with the DAS-MET-6SRC Metreau keypad, it provides direct numeric access, setting & recalling presets, and access to advanced functionality such as grouping, Setting Favorites, Alarm, and Keypad lockout functionality (see the *Advanced Functions - DAS-MET-6SRC* section on page 66 for information).

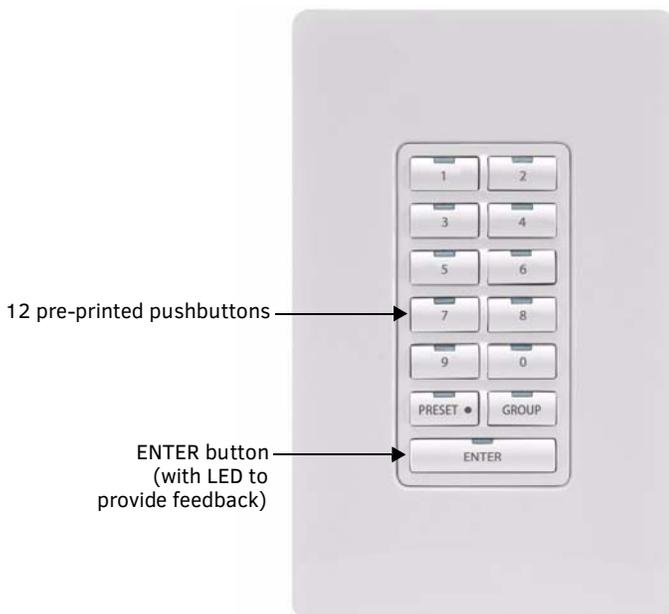


FIG. 10 DAS-MET-NUM Metreau Numeric Audio keypad (White shown)

The DAS-MET-NUM is a SWT keypad, suitable for use in Matrix Distributed Audio Systems.

DAS-MET-NUM Specifications

DAS-MET-NUM Specifications	
Power:	12 VDC, 125 mA
Front Panel Components:	Pushbuttons - 13 tactile pushbuttons.
Rear Panel Components:	Wiring connection - One 14-pin connector that provides connection to the main 6 Source Metreau Keypad (DAS-MET-6SRC).
Dimensions (HWD):	<ul style="list-style-type: none"> Keypad and Mounting Plate: 4.055" x 1.772" x 0.818" (103mm x 45mm x 207mm) Mounts into standard Decora-style wall plates.
Weight:	0.15 lbs. (0.068 kg)
Operating Environment:	<ul style="list-style-type: none"> Operating Temperature: 32° - 104° F (0°- 40° C). Relative Humidity: 5% - 85%, non-condensing. Intended for indoor use only.
Certifications:	<ul style="list-style-type: none"> FCC Class B CE IEC60950 RoHS
Colors:	<ul style="list-style-type: none"> White (FG1122-02-WH) Black (FG1122-02-BL) Light Almond (FG1122-02-LA)
Optional Accessories:	<ul style="list-style-type: none"> Single Button Kit (FG5794-10) Double Button Kit (FG5794-11) Lutron Cairo Wallplates (available in a variety of sizes and colors)

Custom Button Installation

Overview

With the exception of the DAS-MET-NUM, all Metreau keypads feature field-replaceable pre-printed buttons. This section describes removing the original set of buttons and replacing them with custom buttons.

Removing Buttons

The easiest way to remove and replace buttons on the Metreau keypads is to place the keypad assembly (FIG. 11) face-down on a flat level surface, so that the buttons stay in position until you are ready to remove them.

IMPORTANT: *Disconnect the power supply and all wiring connections before removing/replacing buttons on the Metreau keypads.*

IMPORTANT: *Before touching the device, discharge the static electricity from your body by touching a grounded metal object.*

The Faceplate is attached to the Mounting Plate via four plastic tabs (two on each side of the Faceplate, as shown in FIG. 11). It is not necessary to remove the plastic faceplate from the Mounting Plate in order to replace buttons.

1. The faceplate is attached to the mounting plate via four plastic tabs (two on each side of the faceplate, see FIG. 11). To remove the faceplate, gently pry it from either side.
2. Gently lift each button off of their mounting posts on the circuit board.
3. Select the location of the custom buttons and gently snap them into place on the Circuit Board.
Be sure to note the orientation of the LED window on each button, to avoid accidentally mounting them upside down.
4. Reattach the plastic faceplate.

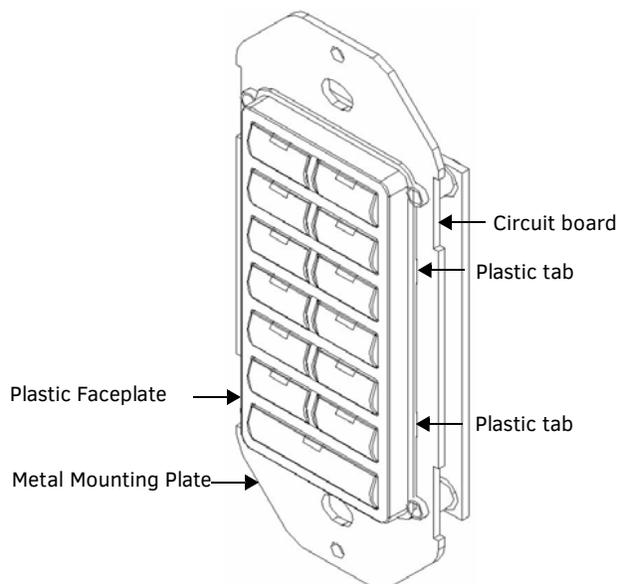


FIG. 11 Keypad assembly

Button Kits

Three different button kits, which accommodate most installations, are available for Metreau keypads:

Audio

SIRIUS, XM, IPOD, MP3, CD2, AUX2, DVD2, PC, FM.

Residential

LIGHTS, FAN, SHADES, HVAC+, HVAC -, UP, DOWN, TV.

Commercial

DISP, PROJ, VC, AC, HVAC, LIGHTS, SCREEN.

Custom Keypads and Buttons

If a requested keypad needs functions not offered in the standard Button Kits, a custom keypad may be built with the AMX Metreau Keypad Preview (FIG. 12), available at www.amx.com. This tool allows custom arrangement of default or custom button arrangements, creation of custom button text, previews of keypad type and color, and printouts of final keypad layouts and parts lists.



FIG. 12 Metreau Keypad Preview

AxLink Device Addressing

Overview

Metreau Keypads with AxLink used in NetLinx applications require a unique numeric AxLink device address of 1-255. Consider specifying the device address for each keypad before final installation.

NOTE: AxLink device addressing applies only to the MET-6N, MET-7, and MET-13 keypads. Metreau Audio Keypads (DAS-MET-6SRC and DAS-MET-13) do not require device addressing.

Device Addressing on MET-6N Keypads

- The MET-6N uses two AxLink device addresses - one for the keypad itself, and a second one for the IR Receiver.
- The device address of the IR Receiver is auto-assigned to be one number higher than the device address of the keypad itself (to which the firmware is uploaded).
- The MET-6N will appear as two devices in the *Devices* frame, because its built-in IR Receiver is recognized as a separate online device.
- Firmware is uploaded to the device address of the keypad (not the IR Receiver).

For example, if the MET-6N is set to device address 127, then the IR Receiver on that MET-6N will appear as device number 128. Firmware must be sent to the keypad, not the IR Receiver (in this example, device 127).

Setting the AxLink Device Address

AxLink-enabled Metreau keypads (MET-6N, MET-7 and MET-13) use an 8-position mini-DIP switch to specify a unique device address for each keypad in a NetLinx Control System (see FIG. 13).

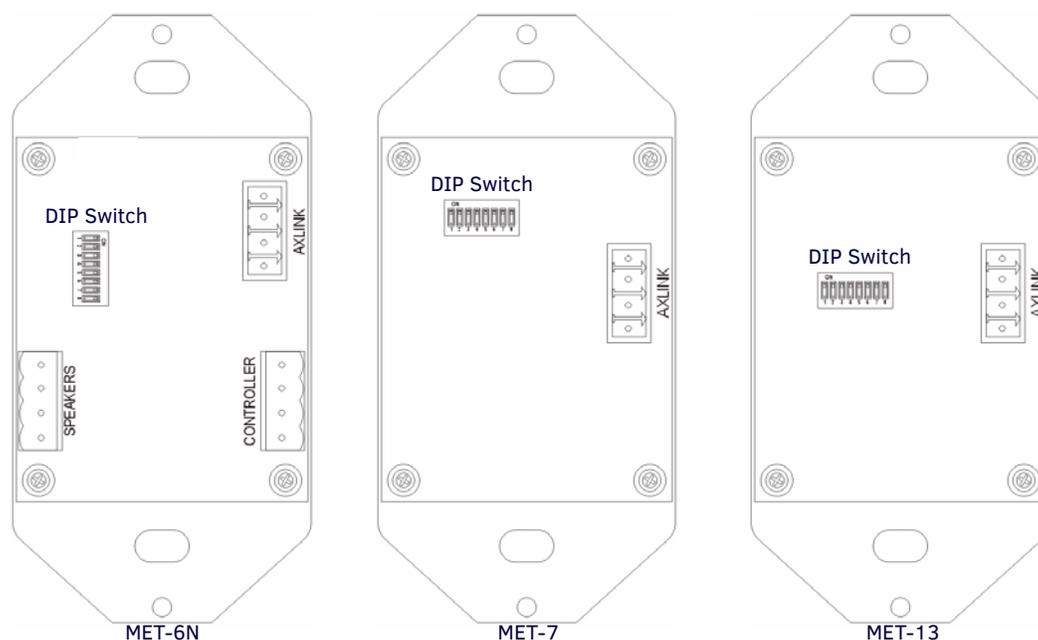


FIG. 13 DIP Switch and SWT Jumper locations

NOTE: Before touching the device, discharge the static electricity from your body by touching a grounded metal object.

1. If connected, disconnect the power supply.
2. Locate the 8-position mini-DIP switch on the rear panel.
3. Set the DIP switch according to the values shown below.

Switch	1	2	3	4	5	6	7	8
Value	1	2	4	8	16	32	64	128

The device number is set by the total value of DIP switch positions that are in the ON position. Note that the ON position is indicated on the DIP Switch.

As an example, the DIP switch in FIG. 14 defines AXlink device number 129 ($1 + 128 = 129$).



FIG. 14 8-position mini-DIP Switch

If you later change the device number, remove and reconnect the power connector to enter the new device number into memory.

NOTE: AMX has created the "Dip Switch2" software application to assist in calculating dip switch position values. Download the (free) program *Dip Switch2* from www.amx.com.

Mounting and Installation

Overview

Metreau keypads are designed to install into standard U.S. Decora-style wall plates and boxes (wallboxes not included).

IMPORTANT: Before touching the device, discharge the static electricity from your body by touching a grounded metal object.

Mounting Dimensions

MET-6N, DAS-MET-6SRC

FIG. 15 provides detailed dimensions for the MET-6N and DAS-MET-6SRC keypads.

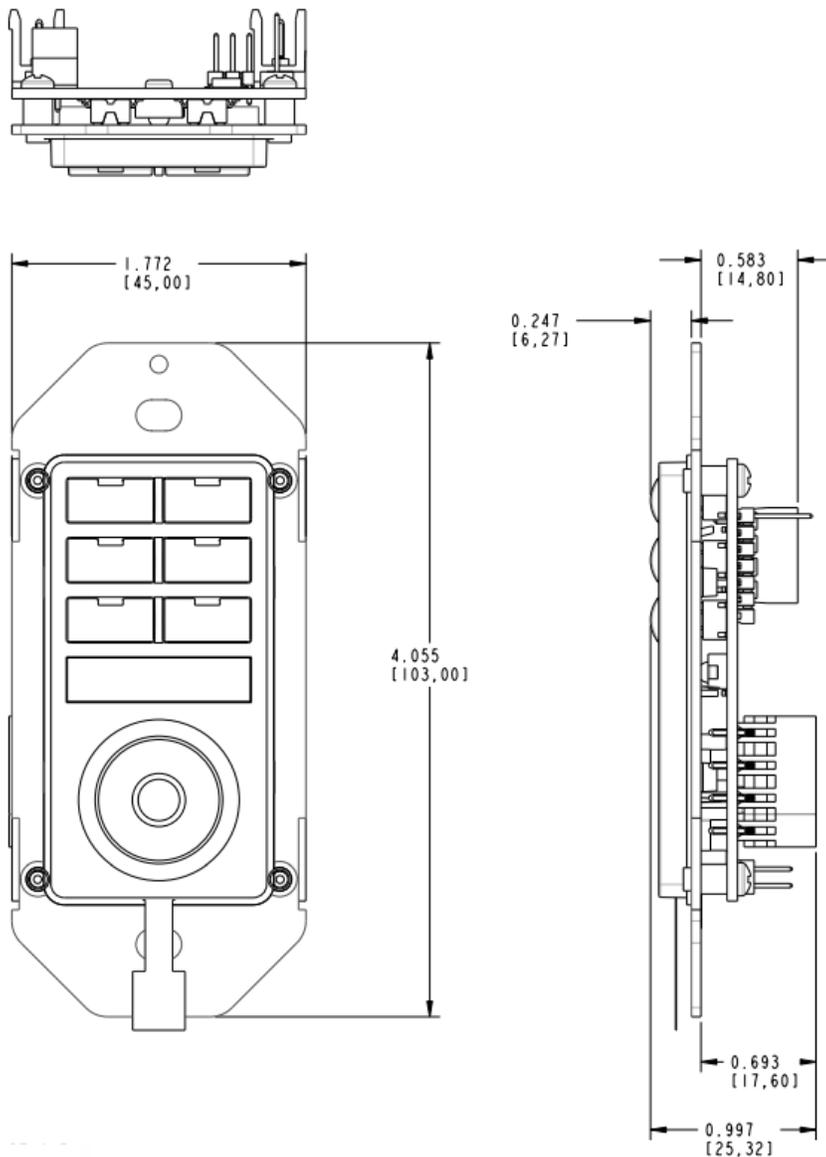


FIG. 15 MET-6N and DAS-MET-6SRC Mounting Dimensions

MET-6NE

FIG. 16 provides detailed dimensions for the MET-6NE keypad.

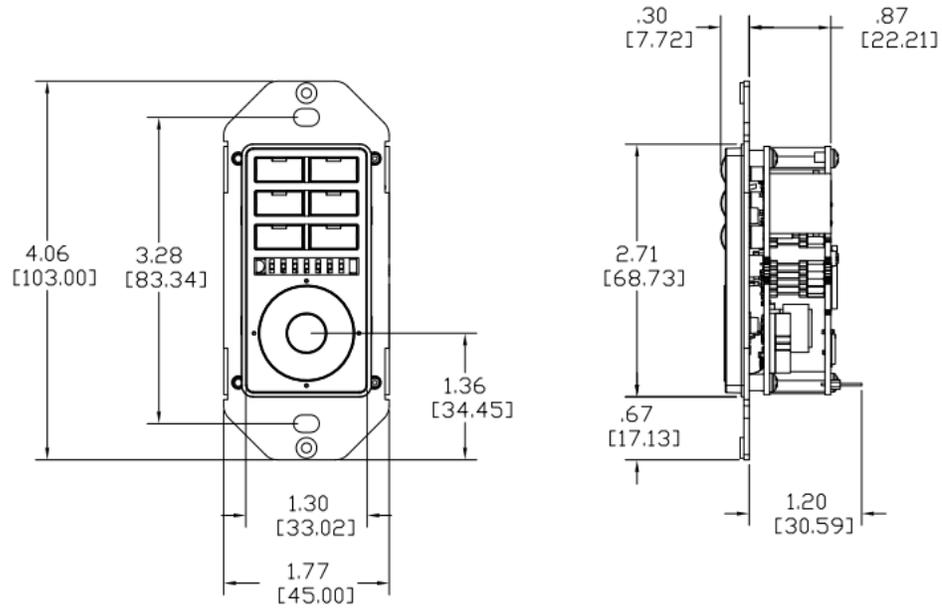


FIG. 16 MET-6NE Mounting Dimensions

MET-7

FIG. 17 provides detailed dimensions for the MET-7 keypads.

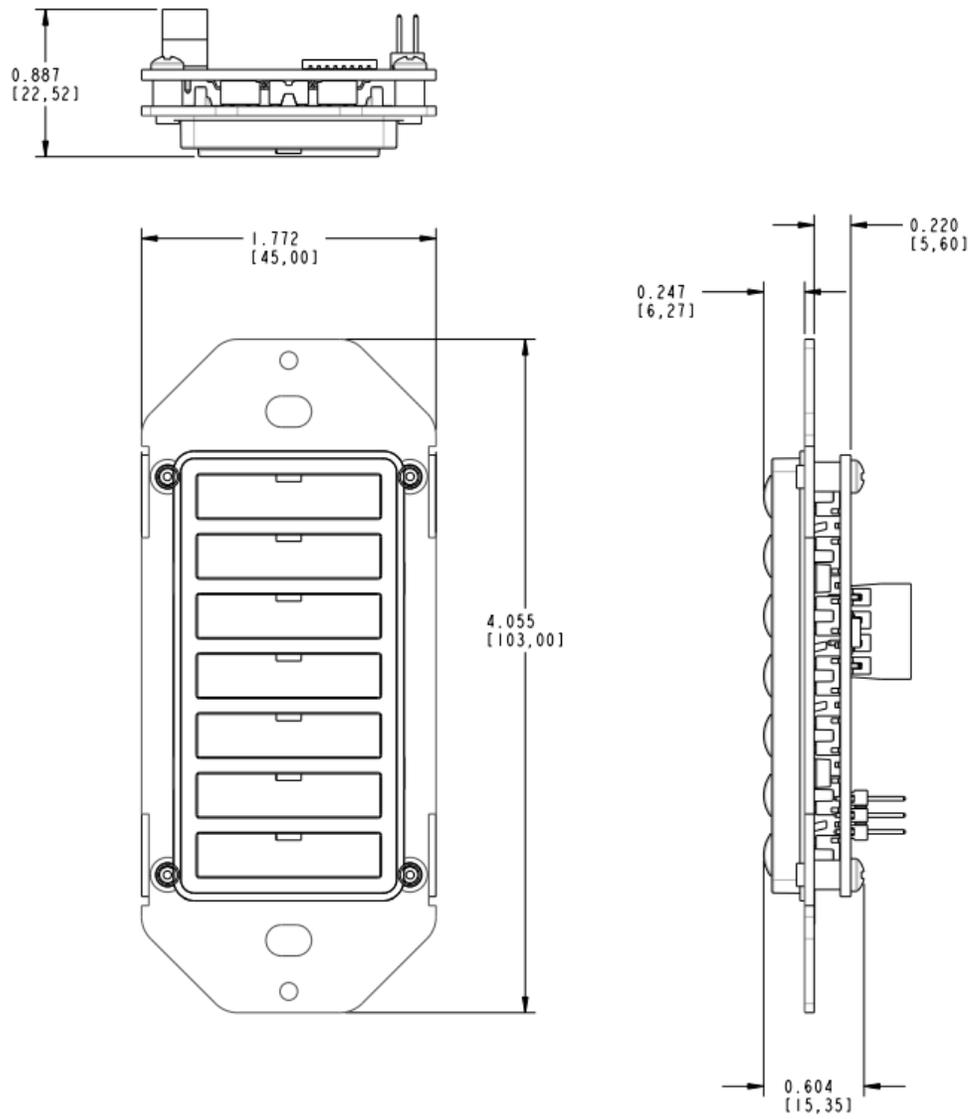


FIG. 17 MET-7 Mounting Dimensions

MET-7E, MET-7X

FIG. 18 provides detailed dimensions for the MET-7E and MET-7X keypads.

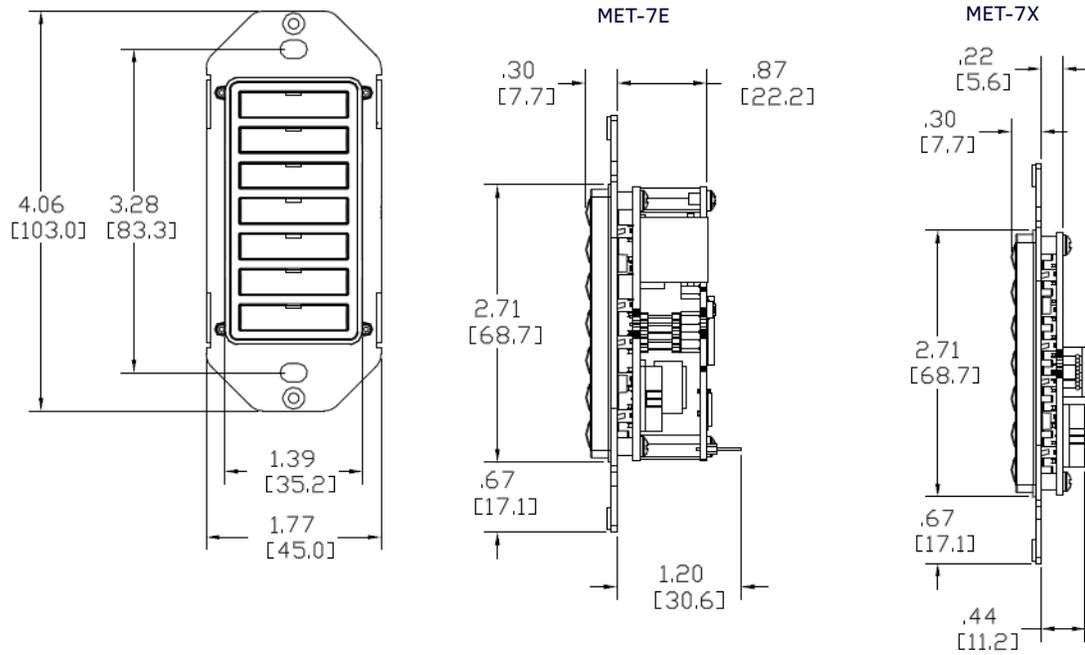


FIG. 18 MET-7E and MET-7X Mounting Dimensions

MET-13, DAS-MET-NUM

FIG. 19 provides detailed dimensions for the MET-13 and DAS-MET-NUM keypads.

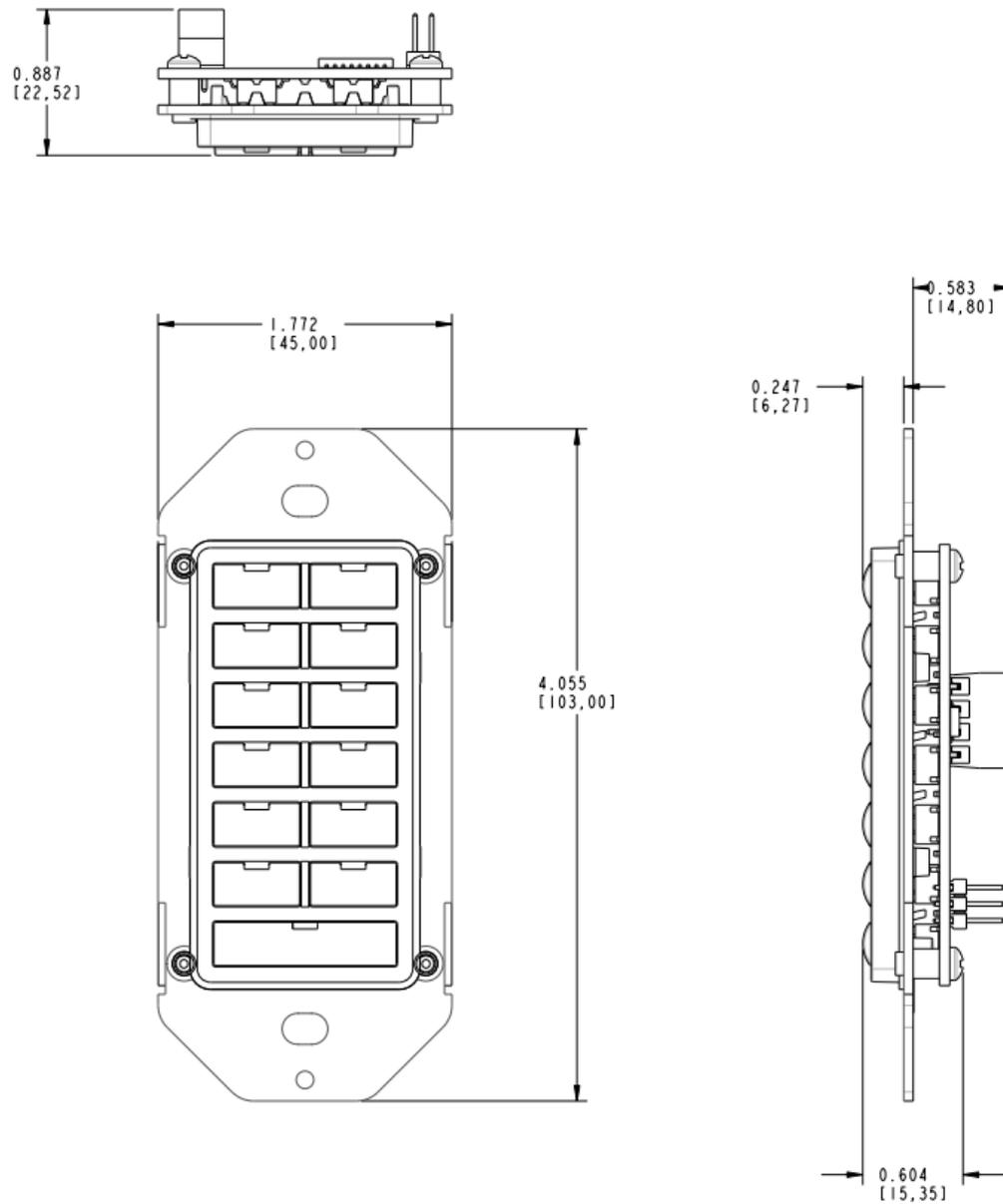


FIG. 19 MET-13 and DAS-MET-NUM Mounting Dimensions

MET-13E, MET-13X

FIG. 20 provides detailed dimensions for the MET-13E and MET-13X keypads: .

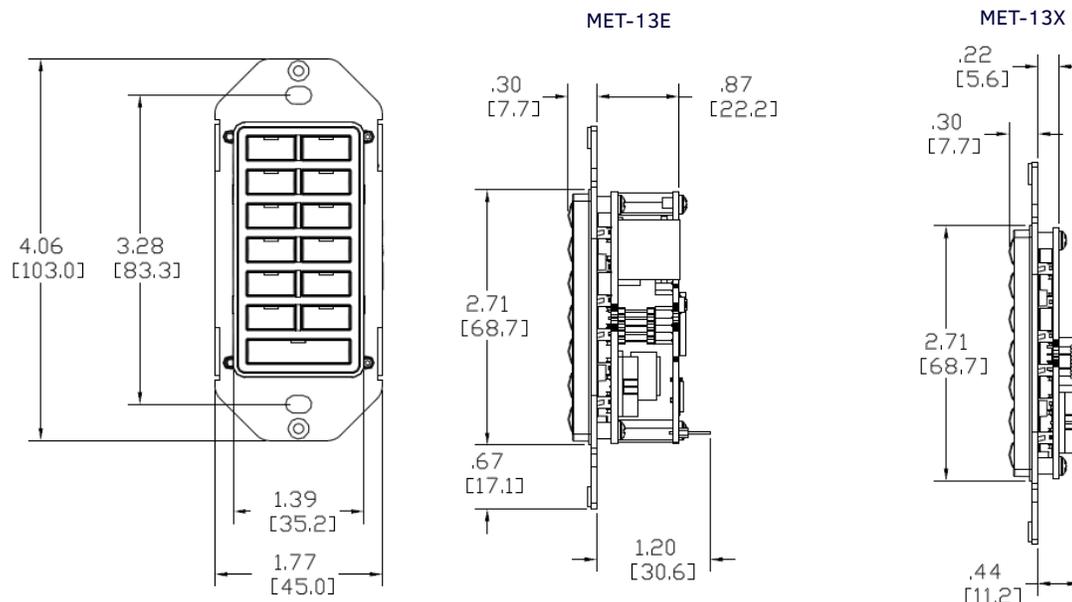


FIG. 20 MET-13E and MET-13X Mounting Dimensions

Mounting Procedures

AMX recommends mounting Metreau keypads in standard U.S.-style Decora wallboxes:

- Conduit box should meet NEC specs (section 370)
- Minimum internal clearance of (HWD) 2-5/8" x 1-3/4" x 1-5/8".

Wallbox Mounting

1. Use the cutout dimension for the wallbox to cutout the install surface.
2. Connect the AxLink connector (or SWT cable connectors) to the rear of the keypad.
3. Place the Mounting Plate on the wallbox; align the screw holes with the mounting holes and fasten the Mounting Plate to the wallbox using the screws supplied.

NOTE: Do not over-tighten the screws when mounting the Mounting Frame. The device should be flush with mounting surface.

Podium Mounting

1. Use the cutout dimension for the wallbox to cutout the Mounting Frame install surface for the keypad
2. Confirm that the terminal end of the AxLink cable is disconnected, and not receiving power.
3. Connect the AxLink power supply. The connector passes through the center of the Mounting Frame and connects to the board.
4. With the Mounting Frame resting in the cutout area, drill the mounting holes into the flat surface.

NOTE: Do not over-tighten the screws when mounting the Mounting Frame. The device should be flush with mounting surface.

Accent Frame

While the Metreau device family does fit into many International wallboxes, it may be necessary to utilize the optional Accent Frame to completely cover the wallbox.

To install the keypad with the optional Accent Frame:

1. Use the cutout dimension for the wallbox to cut out the install surface for the keypad.
2. Place the Accent Frame on the wallbox; align the screw holes with the mounting holes on the wallplate. Fasten the wallplate to the wallbox.

Based on the extensive number of international wallboxes it is not pragmatic to ship every possible screw that could be used. Please use the screws appropriate for your specific wallbox.

NOTE: Do not over-tighten the screws when mounting the Mounting Frame. The device should be flush with mounting surface.

3. Confirm that the terminal end of the AxLink cable is disconnected, and not receiving power.
4. Connect the power supply. The connector passes through the center of the Mounting Frame and connects to the board.
5. Place the Mounting Frame on the Accent Frame; align the screw holes with the mounting holes and fasten the Mounting Frame to the wallplate. The Accent Frame is shipped with two #6-32 x .187 long flat head screws (80-131); these are used to attach the keypad to the accent frames.

Daisy-Chaining Keypads (Ethernet Keypads only)

You can use the MET-6NE, MET-7E, or MET-13E Ethernet Keypads as individual keypads or in conjunction with the MET-7X or MET-13X Metreau Ethernet Expansion keypads. The expansion keypads connect to the Ethernet Keypad via the 10-conductor ribbon cable included with the expansion keypad.

Metreau keypads support daisy-chaining up to three keypads together. If you are daisy-chaining three keypads together, connect the third keypad in the chain to the first Expansion Keypad. Daisy-chained keypads receive power from a single Ethernet connection and appear as a single NetLinX device.

Use the 10-conductor ribbon included with the expansion keypad to connect to the Ethernet Keypad (FIG. 21):

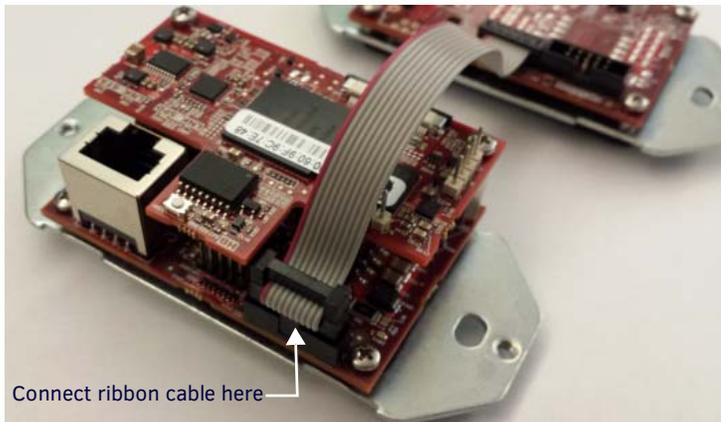


FIG. 21 Daisy-chained connection between the MET-7E and an Ethernet Expansion Keypad

NOTE: If you are installing a single expansion keypad into a 3-gang back box, install the expansion keypad in the space immediately adjacent to the primary Ethernet keypad (see FIG. 22). Daisy-chaining is supported across a distance of 4" (101.6 mm).

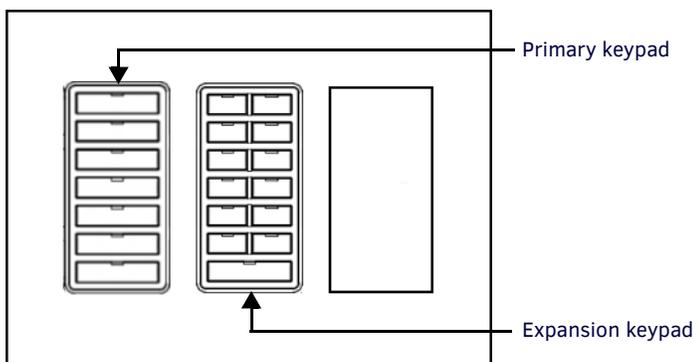


FIG. 22 Install the keypads immediately adjacent to each other in a 3-gang back box

NOTE: When the ribbon cable is connected, touching or moving the ribbon cable can cause a temporary disruption in communication causing the keypads to temporarily go offline and return to service shortly after the initial outset. Once the keypads are mounted and the ribbon cable is stable, no disruptions should occur.

Wiring and Connections

Overview

Some models of Metreau keypads support both AxLink and SWT wiring configurations. Each is described in the following sub-sections. For information on AxLink vs. SWT device addressing, refer to the *AxLink Device Addressing* section on page 24.

NOTE: Before touching the device, discharge the static electricity from your body by touching a grounded metal object.

Ethernet Wiring

Metreau Keypads with Ethernet and Metreau Ethernet Expansion Keypads use standard category cabling to provide power to the keypads. Applying power to the Metreau Keypads with Ethernet requires category cable and a PoE injector, such as the PS-POE-AF-TC (**FG423-83**) available from AMX. The network must be connected through the PoE injector to send power to the keypad. The category cable should only run through a common building. (A common building is defined as: Where the walls of the structure(s) are physically connected and the structure(s) share a single ground reference.)

Metreau Expansion Ethernet Keypads receive power from the Metreau Ethernet Keypad it is connected to via the 10-conductor ribbon cable on the expansion keypad.

Each Metreau keypad has a green LINK/ACTIVE LED on its rear panel that lights when the link is up and toggles off when a data packet is sent or received. Each Metreau keypad also has a green STATUS LED on its rear panel that is under firmware control.

The following table lists the modes and blink patterns for the LINK/ACT and STATUS LEDs on the Metreau keypads:

Modes and LED Blink Patterns		
Description	LINK/ACTIVE LED	STATUS LED
Normal Online with Master (Rest)	ON, if connected to a Master. Blinks OFF with data.	Follow Master's instruction for blink message if online with Master, otherwise ON
Normal Boot (DHCP found)	OFF	ON
Normal Boot (DHCP, no server)	Fast Blink, then normal operation	ON
Normal Boot (Static IP)	OFF, then normal operation (Off until connected to Master)	Fast Blink, then ON until first blink from Master
Boot with ID pushbutton held down	Slow Blink	Slow Blink
ID pushbutton held down long enough for reset to default parameters	Fast Blink until ID pushbutton is released, then OFF	Fast Blink until ID pushbutton is released, then OFF
ID pushbutton held down long enough for reset to default firmware image	Solid ON, transitions to OFF once the unit completes writing to flash and is ready to reboot	Solid ON, transitions to OFF once the unit completes writing to flash and is ready to reboot
In Auto ID Mode	Normal	Blink
ID pushbutton held down long enough to accept new ID	2 blinks, then normal	2 blinks, then normal
After boot: ID pushbutton held down, but not long enough for IP mode change	Slow Blink	Slow Blink
After boot: ID Pushbutton held down long enough for IP mode change	Fast Blink, then OFF	Fast Blink, then OFF
Downloading Firmware to Flash Due to an upgrade via NetLinx Studio	Fast Blink, alternating with STATUS LED	Fast Blink, alternating with LINK/ACTIVE LED

AxLink Wiring

In AxLink mode, Metreau keypads use a standard four-pin captive-wire AxLink connector for power and data.

CAUTION: If using power from AxLink, disconnect the wiring from the control system before wiring the Metreau keypad. Do not connect power to the keypads until the wiring is complete.

MET-6N, MET-7, and MET-13 Rear Panel Components

NOTE: Before touching the device, discharge the static electricity from your body by touching a grounded metal object.

FIG. 23 shows the basic rear components of the AxLink (MET-6N, MET-7, and MET-13) keypads:

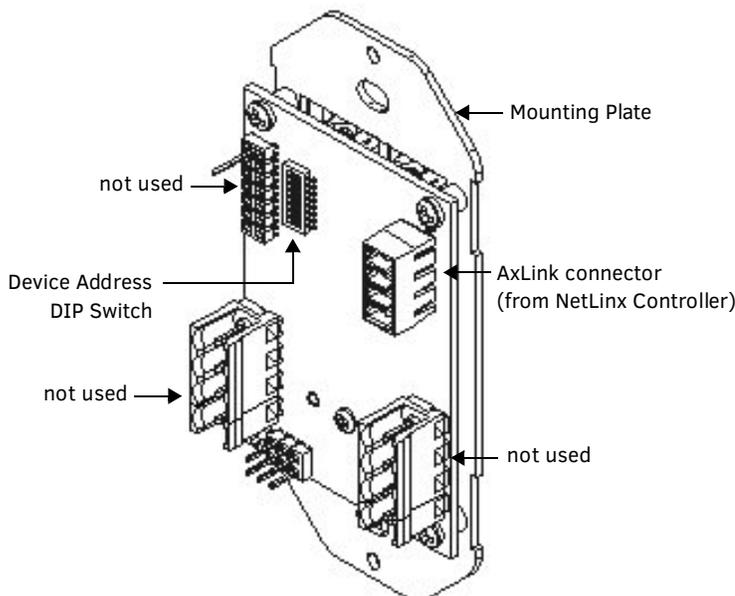


FIG. 23 MET-6SRC, MET-7 and MET-13 - Rear Components

AxLink Wiring Guidelines

Metreau keypads require 12 VDC power to operate properly. The necessary power is supplied via the AxLink cable. The maximum AxLink wiring distance is determined by power consumption, supplied voltage, and the wire gauge used for the cable.

The following table lists wire sizes and the maximum lengths allowable based on the maximum power consumption rating of 170 mA.

Wiring Guidelines at 170 mA	
Wire Size	Maximum Wiring Length
18 AWG	690.42 feet (210.43 m)
20 AWG	436.80 feet (133.13 m)
22 AWG	272.33 feet (83.00 m)
24 AWG	171.66 feet (52.32 m)

The maximum wiring lengths for using AxLink power are based on a minimum of 13.5 volts available.

Preparing Captive Wires

You will need a wire stripper, and flat-blade screwdriver to prepare and connect the captive wires.

1. Strip 0.25 inch (6.35 mm) of wire insulation off all wires.
2. Insert each wire into the appropriate opening on the connector according to the wiring diagrams and connector types described in this section.
3. Turn the flat-head screws clockwise to secure the wires in the connector.

NOTE: Do not over-torque the screws; doing so can bend the seating pins and damage the connector.

AxLink Data and Power Connections

Connect the NetLinx Controller's AxLink connector to the AxLink connector on the rear panel of the Metreau keypad for data and 12 VDC power as shown in FIG. 24.

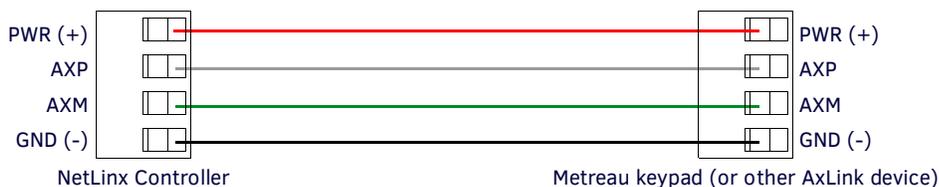


FIG. 24 AxLink straight-thru wiring

Using AxLink for Data with an Auxiliary Power Supply

Use an auxiliary 12 VDC power supply when the distance between the controller and server exceeds the limits described in the *AxLink Wiring Guidelines*. Connect only the GND (-) wire on the AxLink connector when using an auxiliary 12 VDC power supply. Connect the NetLinx Controller's AxLink connector to the AxLink connector on the rear panel of the Metreau keypad, as shown in FIG. 25.

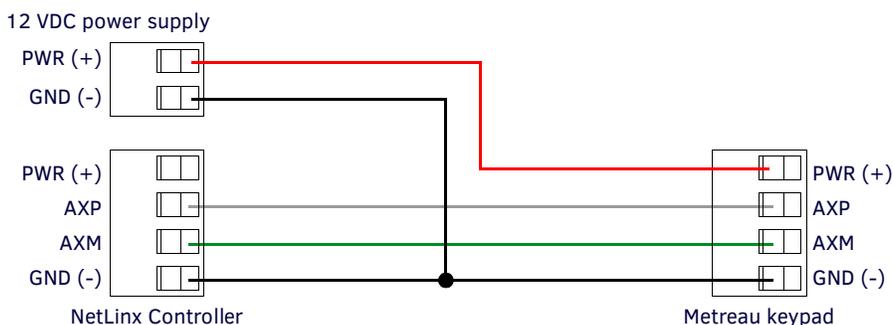


FIG. 25 AxLink and 12 VDC power supply wiring diagram

CAUTION: If you are not using power from AxLink, disconnect the wiring from the controller before wiring the Metreau keypad. Make sure the auxiliary power supply's PWR (+) is not connected to the controller's AxLink connector.

Orientation of AxLink Connectors

Note the orientation of the two AxLink 4-pin connectors; be sure to maintain straight-thru wiring as shown in the diagrams, relative to the connectors (FIG. 26):

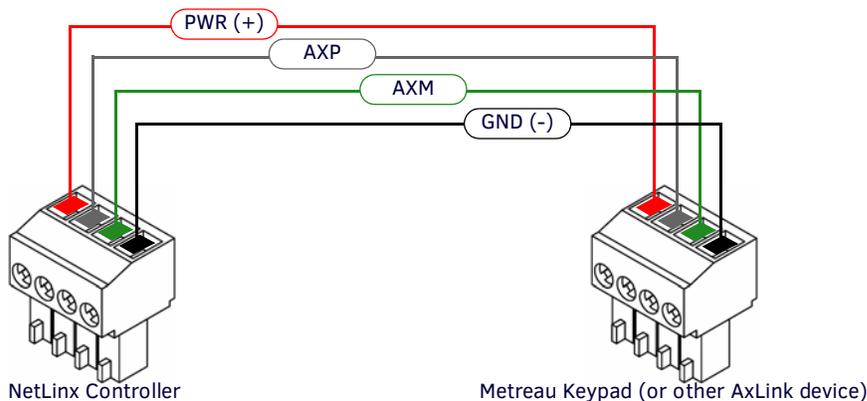


FIG. 26 AxLink wiring - orientation of the AxLink connectors

AxLink Status LED

The AxLink Status LED (located next to the AxLink connector), lights to indicate AxLink power/data status as follows:

AxLink LED Status	
• 1 blink per second:	Indicates power is active and AxLink communication is working.
• Full On:	Indicates the following conditions: <ul style="list-style-type: none"> • There is no AxLink control or activity, but power is On. • The Access program is not loaded.

If the LED is on and not flashing, disconnect the AxLink connector and recheck all AxLink connections. Then, reconnect the AxLink connector to the panel and verify the LED is flashing once per second.

SWT Wiring

DAS-MET-6SRC and DAS-MET-7 Rear Panel Components

NOTE: Before touching the device, discharge the static electricity from your body by touching a grounded metal object.

FIG. 27 shows the basic rear components of the SWT (DAS-MET-6SRC and DAS-MET-NUM) keypads:

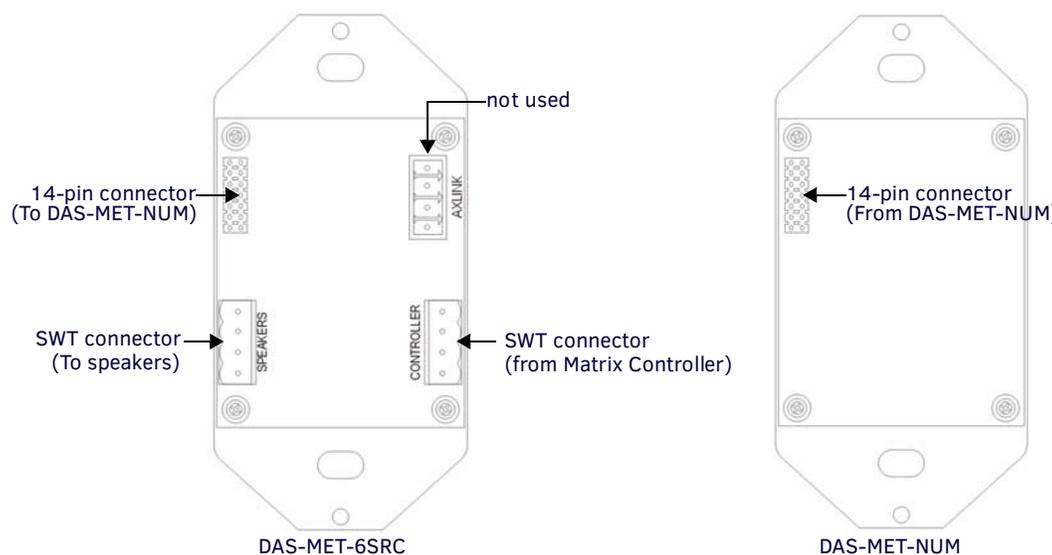


FIG. 27 DAS-MET-6SRC and DAS-MET-NUM - Rear Components

Cable Type

SWT wiring involves connecting the Mi-Series Controller, Metreau keypads, and speakers.

The Mi-Series Controller and Metreau keypads are cabled using standard four-conductor speaker cable originating at the Controller, passing through the keypad, and terminating at the speaker location.

AMX recommends using a bundled four-conductor 16-gauge stranded copper wire in a single continuous run.

Preparing Captive Wires

SWT wiring utilizes four-color "snap connectors" to secure the wires (no screws). You will need a wire stripper to prepare and connect the captive wires.

1. Strip 0.25 inch (6.35 mm) of wire insulation off all wires.
2. Insert each wire into the appropriate opening on the connector according to the wiring diagrams and connector types described in this section.

DAS-MET-6SRC - SWT Data and Power Connections

1. Connect the Matrix Controller's Zone Output connector to the four-pin connector on the rear panel of the Metreau keypad labeled TO CONTROLLER for data and 12 VDC power.
2. Connect the other four-pin connector on the keypad labeled TO SPEAKERS to the SWT speakers as shown in FIG. 24.

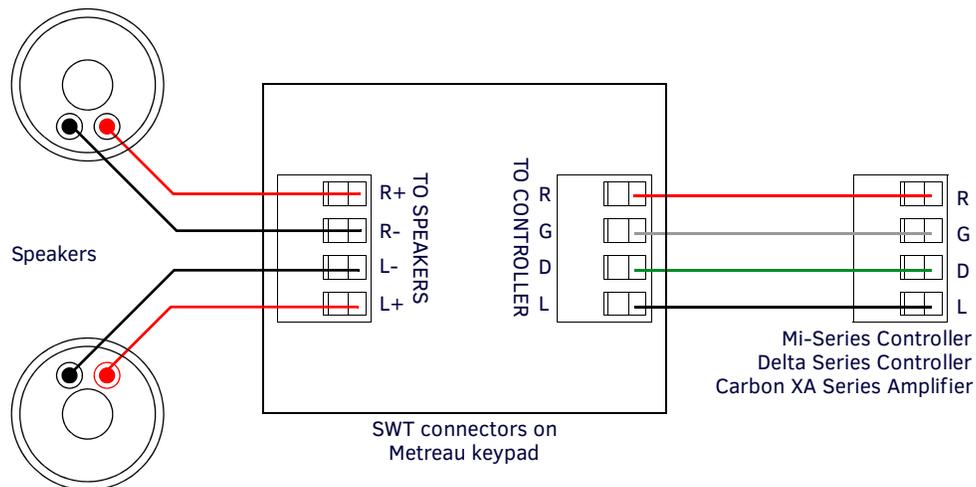


FIG. 28 SWT wiring

DAS-MET-NUM - Connecting to the Main DAS-MET-6SRC Keypad

The DAS-MET-NUM Metreau numeric keypad connects to the main DAS-MET-6SRC keypad via a 14-pin connector, as indicated in FIG. 29:

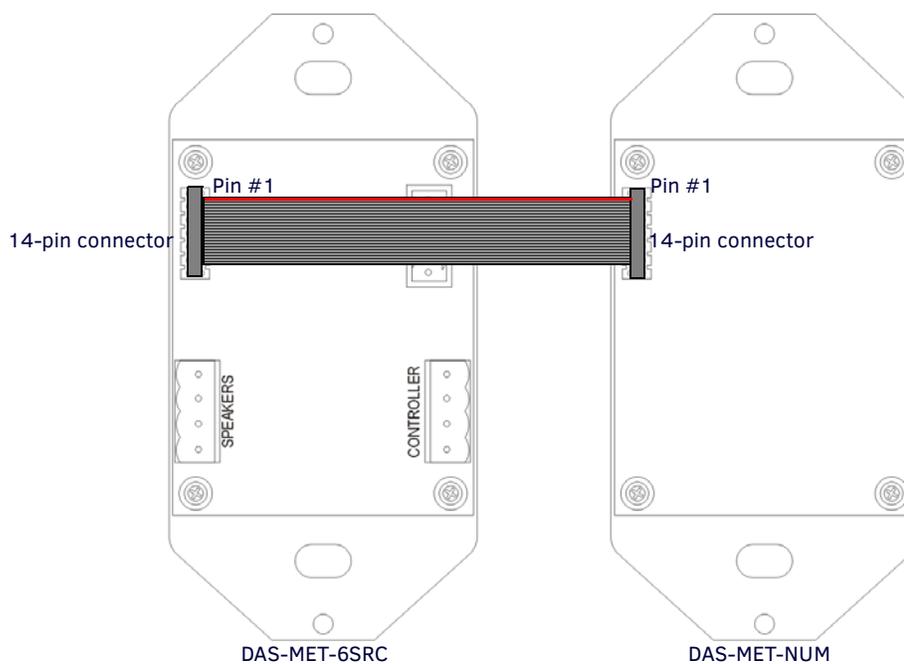


FIG. 29 DAS-MET-NUM connected to main DAS-MET-6SRC keypad

- The red line on the cable indicates Pin #1.
- The cable cannot be twisted, it must be straight across (Pin #1 to Pin #1).

Tango System Integration Drawings

Tango System Integration Drawing - Using Four-Conductor Speaker Wire

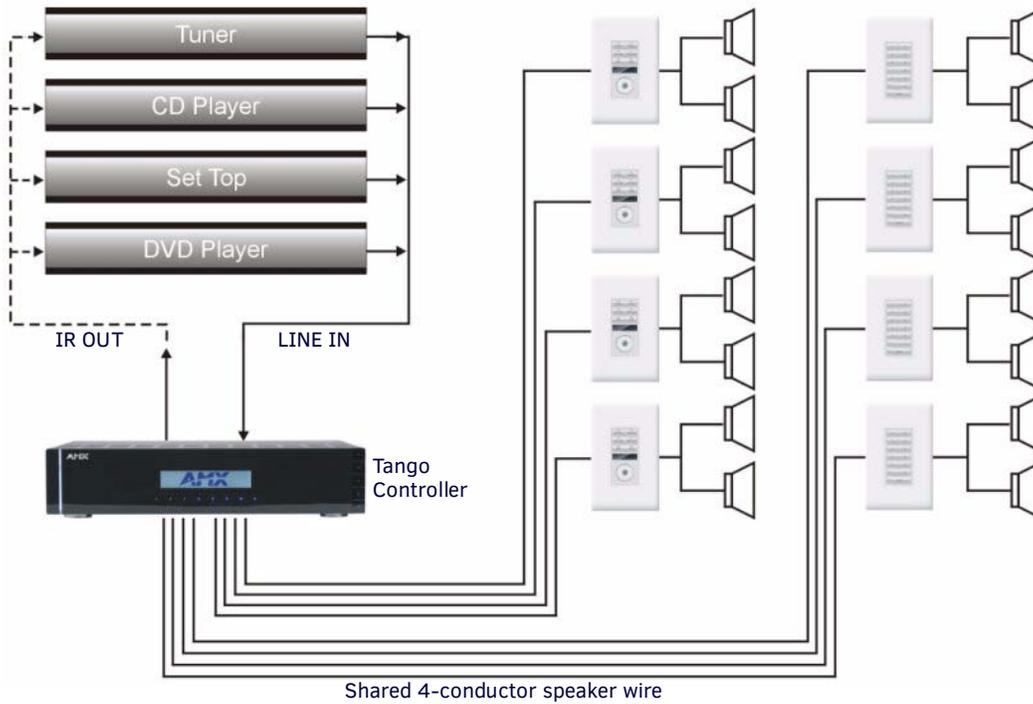


FIG. 30 System Integration Drawing Using Four-Conductor Speaker Wire

Tango System Integration Drawing - Using the Audio Zone Expander

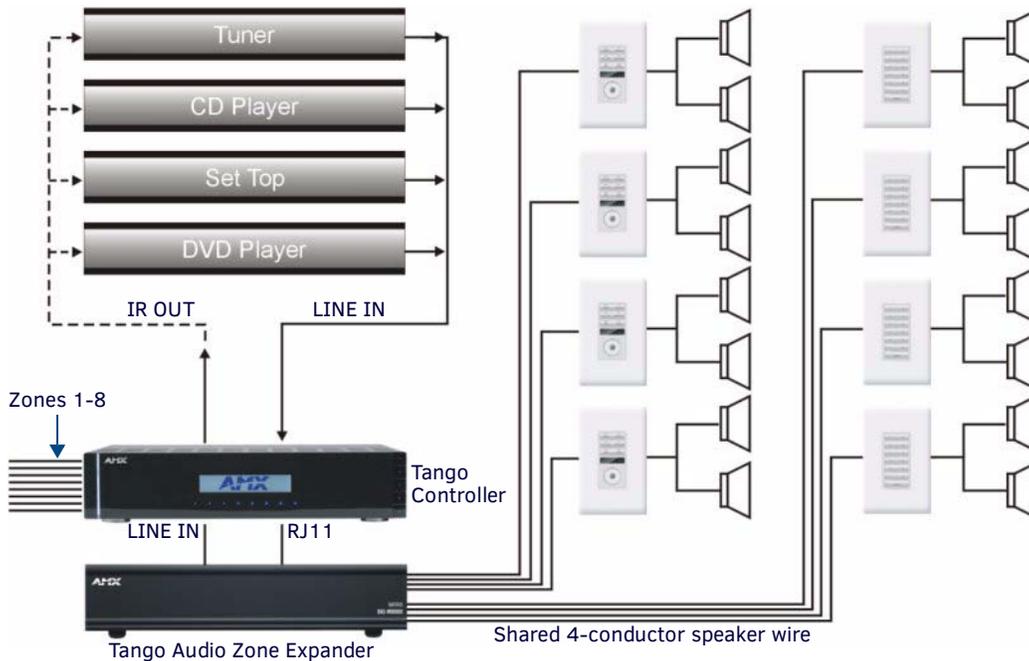


FIG. 31 System Integration Drawing Using the Audio Zone Expander

SWT Special Wiring Configurations

Auxiliary Amplifier Configuration

In some cases you may require more power for a given zone than the Matrix Controller can provide. You may purchase a DAS-LLC to provide a line level output to incorporate a larger external amplifier, or you can make your own line level converter. FIG. 32 shows the construction of a simple circuit of discrete components to reduce the "speaker level" output of the Matrix Controller to "line level" so that it can drive an auxiliary amplifier.

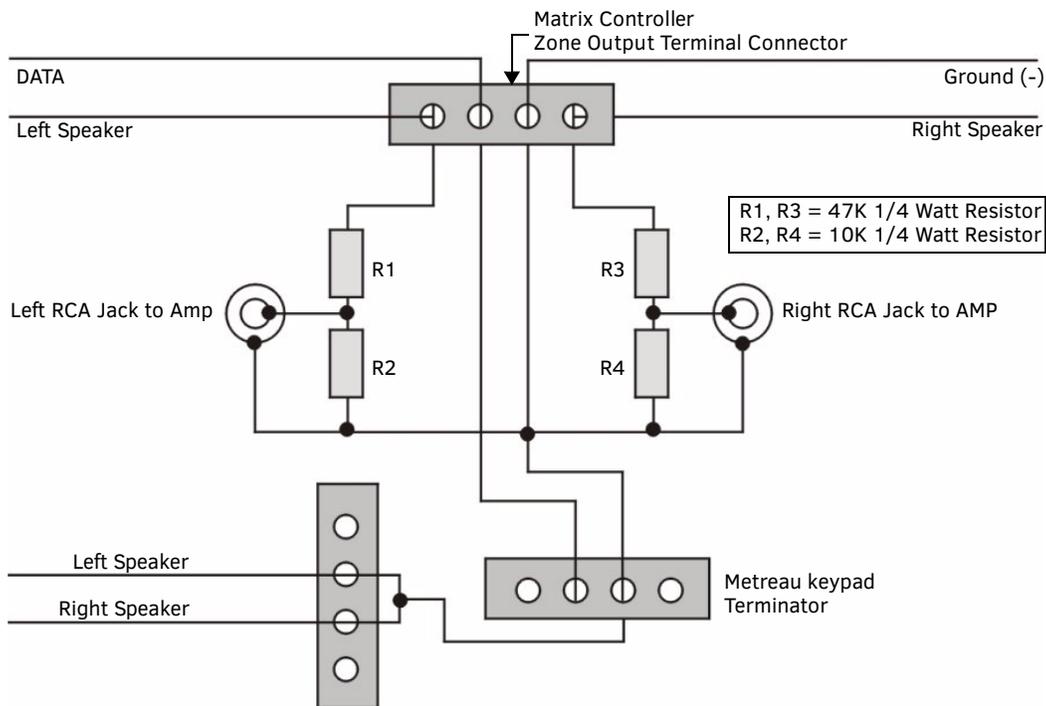


FIG. 32 Auxiliary Amplifier Configuration

This amplifier would typically be installed at the equipment rack (head end).

Remote Amplifier Configuration

In some cases, where the distance between the Matrix Controller and the zone is unusually long, it is sometimes desirable to have a remote amplifier at the zone end. You may install a DAS-LLC to accomplish this task or you may build your own. FIG. 33 shows the construction of a simple circuit of discrete components to reduce the Matrix Controller output to "line- level" so that it can be fed into an auxiliary amplifier.

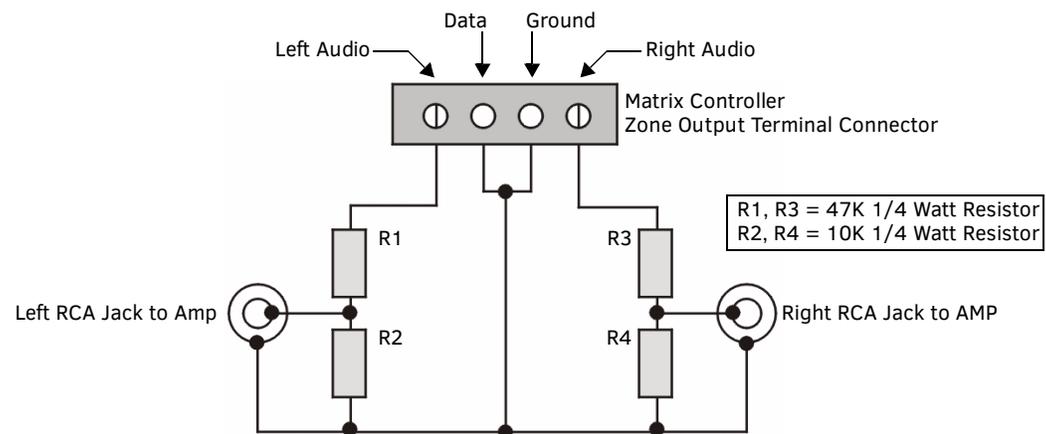


FIG. 33 Remote Amplifier Configuration

Two-Wire Configurations – Keypad for Control Only

In some retrofit configurations it is not feasible or possible to re-route the speaker cable through the keypad. In cases such as this, it is possible to run a separate cable pair (CAT-3 / CAT-5 / Twisted Pair) cable from the Matrix Controller to the keypad for control purposes. When using CAT3/CAT5 over long runs, it is recommended to "double-up" the control wires (only 2 conductors are required, and there are 4-8 wires available). FIG. 34 shows the connections of the control signal path to the keypad, and the speaker connections to the Matrix Controller.

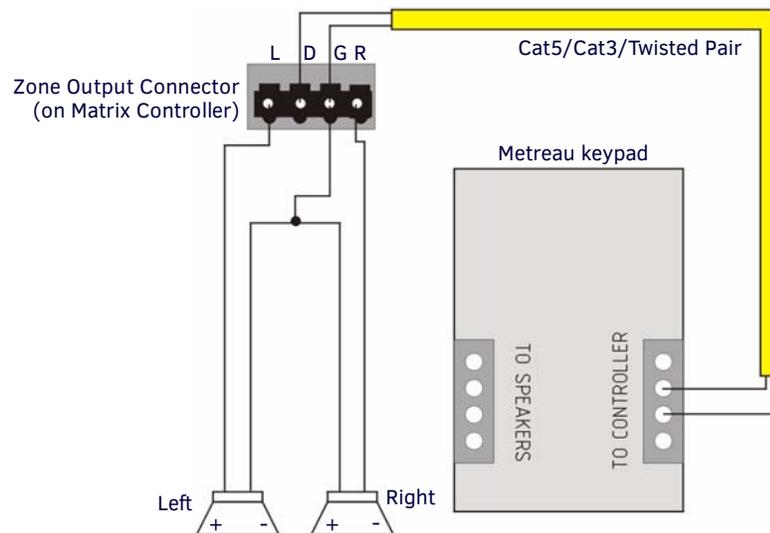


FIG. 34 2 Wire Configurations - keypad for Control Only

Split Zone / Analog Volume Control

In cases of split zones where more than one set of speakers are driven from the same keypad, it is sometimes desirable to place a volume control in the split zone. FIG. 35 shows the connections to a remote zone, and "Autoformer" volume control device.

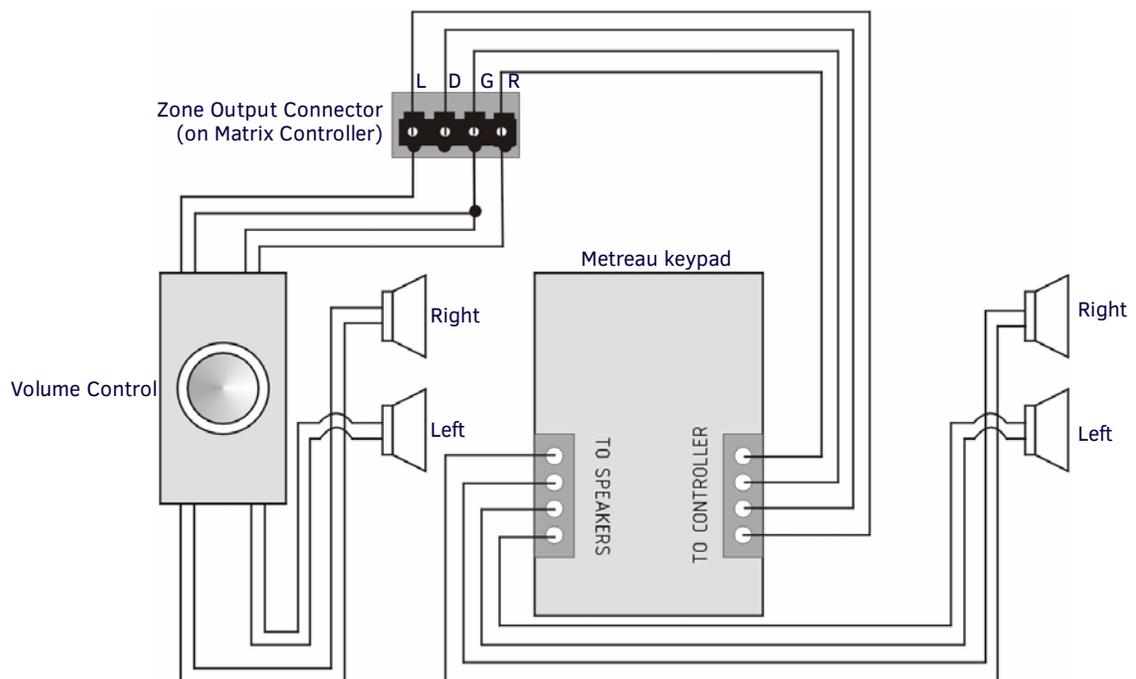


FIG. 35 Split Zone / Analog Volume control (Option 2) one keypad

- Ensure the impedance setting doesn't fall below 4 Ohms.
- If you are installing 2 pairs of speakers in a zone and the speakers are 8 Ohms, it is not necessary to use an impedance matching autoformer type volume control. A standard stereo volume control will perform properly. The impedance will be approximately 4 Ohms.
- If you are using an impedance matching volume control with 2 pairs of speakers set the impedance matching to the 2X setting.

NOTE: It is not recommended to install more than 2 pair of speakers per zone.

Configuring Metreau Keypads with Ethernet

Overview

This chapter provides instructions on accessing and configuring the Metreau Keypads with Ethernet. To configure the keypad, you must have it powered by PoE.

Locating the IP Address of the Keypad

Metreau Keypads with Ethernet are configured for DHCP addressing by default. The keypads use link local addressing as a backup in case the DHCP server is inaccessible. See the *Toggling Between IP Addressing Modes: DHCP and Static IP* section on page 41 for information on setting a static IP address. Verify there is an active LAN connection on the controller's LAN port before beginning this procedure.

1. Using category cable, connect the LAN port on the keypad to your external network.
2. In NetLinX Studio, select the OnLine Tree tab. You should see the Metreau keypad listed among the Unbound Devices.
3. Right-click the Metreau keypad and select **Network Bind/Unbind Device** from the menu that appears. The Bind/Unbind Device dialog opens.
4. By default, the selected keypad appears in the Device to Bind/Unbind menu at the top of the dialog. If there is more than one Unbound device in the system, click the down arrow to select which device you want to bind.
5. Select the check box next to the Master to which you want to bind the keypad. If there is more than one Master in the system, check the specific Master to which you want to bind the keypad.
6. Click **OK** to save changes and close this dialog.
7. Select **Refresh System** (in the Online Tree context menu). The device should now appear in the Bound Devices folder.

Simulating the ID Pushbutton

You can press buttons 1 and 2 simultaneously on the keypads to simulate the functions of a NetLinX device's ID pushbutton (see FIG. 36 for the button layout for each keypad).

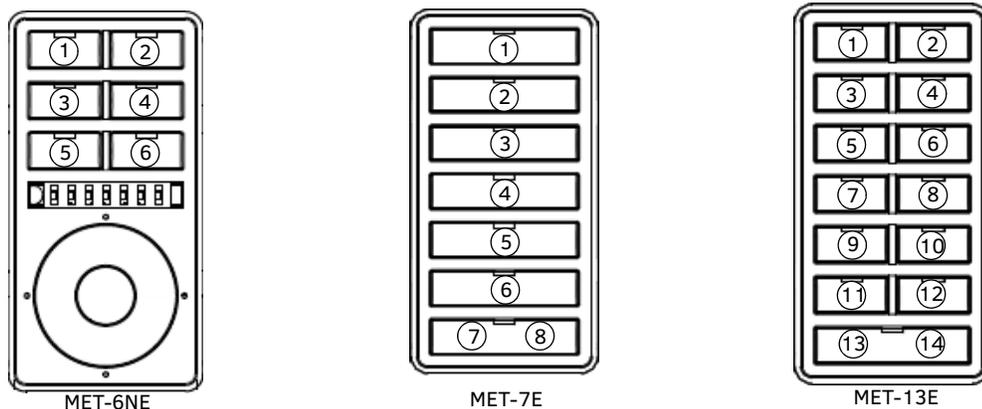


FIG. 36 Button layouts for Metreau Keypads with Ethernet

Toggling Between IP Addressing Modes: DHCP and Static IP

Metreau Keypads with Ethernet support both DHCP and static IP addresses. You can use a static IP address which you can set via a Telnet command (SET IP), or you can use the factory default static IP address (192.168.1.2).

With the keypad powered and booted up (or in ID Mode), you can toggle between the DHCP and Static IP modes by pressing and holding buttons 1 and 2. The LEDs on buttons 1 and 2 blink while you keep them pressed. Hold them until the LEDs begin blinking at double the rate (approximately 10 seconds), then release the buttons.

When you release the buttons, the keypad toggles either from static to dynamic (DHCP) IP addressing or vice versa and remains in that mode until you use the buttons to toggle the IP mode again or you perform a factory reset. The keypad automatically reboots to complete the process.

NOTE: You must wait until the keypad is finished booting before toggling the IP address. Pressing the buttons while booting will cause the keypad to restore its factory default settings.

Assigning a Device ID to a Keypad

When used in conjunction with the ID Mode feature in NetLinX Studio, you can momentarily press buttons 1 and 2 on the keypad to assign a device address to the keypad. See the NetLinX Studio Instruction Manual or consult the online help tool in NetLinX Studio for more information.

Resetting the Keypad

To perform a factory reset of the Keypad, press and hold buttons 1 and 2 for approximately 10 seconds during the boot process. The LEDs on buttons 1 and 2 blink while you keep them pressed. Hold them until the LEDs begin blinking at double the rate (approximately 10 seconds.) Release the buttons and the keypad will reset. During factory reset, the backlight turns off for all buttons, but all buttons should be back online after 1-2 minutes. If you do not hold in the reset button until the LEDs begin blinking faster, the reset does not occur. (There is no soft reboot with the Reset button, but you can perform a soft reboot from the web pages.)

NOTE: *When you reset a keypad, the keypad is restored to the factory default, so you will lose all configuration data as the defaults are restored.*

Restoring the Factory Image on the Keypad

To restore the factory image on the keypad, press and hold buttons 1 and 2 for approximately 20 seconds **during the boot process**. The LEDs on buttons 1 and 2 blink slowly while you keep them pressed, and they begin to blink more quickly after 10-12 seconds. Hold the buttons until the LEDs stop blinking (approximately 20 seconds.) While pressing the buttons, disconnect and reconnect the cable from the LAN port on the rear panel of the device to restore the factory image firmware on the keypad.

Updating Firmware

Sending Firmware to Metreau Keypads (AxLink)

The Firmware on the AxLink-enabled Metreau keypads (MET-6N, MET-7 and MET-13) can be updated via the NetLinX Studio application.

Device Addressing on MET-6N Keypads

- The MET-6N uses two AxLink devices addresses - one for the keypad itself, and a second one for the IR Receiver.
- The device address of the IR Receiver is auto-assigned to be one number higher than the device address of the keypad itself (to which the firmware is uploaded).
- The MET-6N will appear as two devices in the *Devices* frame because it's built-in IR Receiver is recognized as a separate online device.
- Firmware is uploaded to the device address of the keypad (not the IR Receiver).

For example, if the MET-6N is set to device address 127, then the IR Receiver on that MET-6N will appear as device number 128. Firmware must be sent to the keypad, not the IR Receiver (in this example, device 127).

NOTE: Note: Refer to the NetLinX Studio online help for additional details on firmware transfers. NetLinX Studio is available for free download from www.amx.com.

1. Open NetLinX Studio.
2. Go to **Tools > Firmware Transfers > Send to AxLink Device**. The Send to AxLink Device dialog opens (FIG. 37).

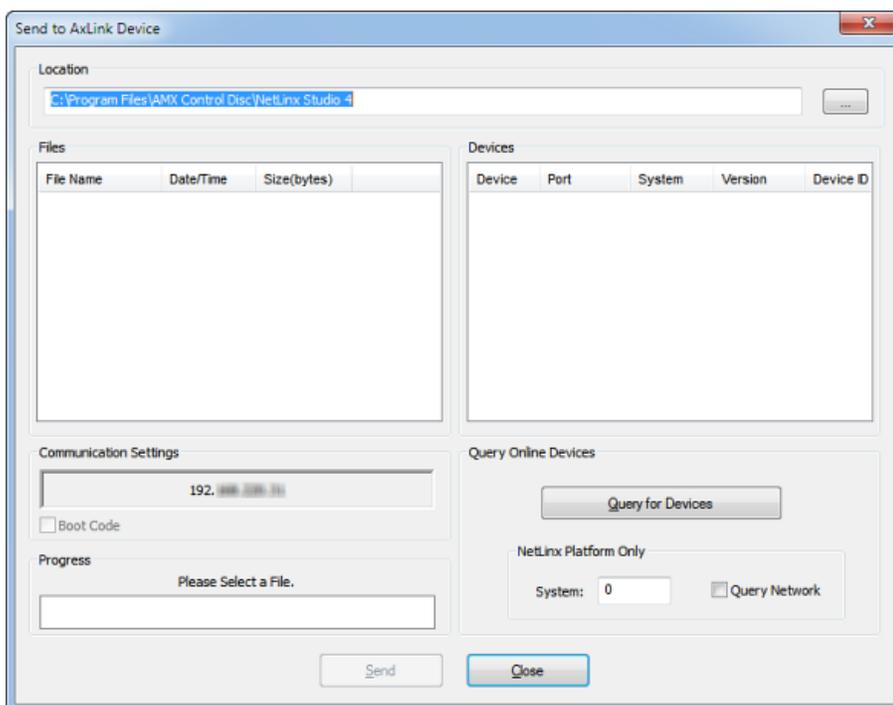


FIG. 37 Send to AxLink Device Dialog

3. Browse to the location of the firmware file.
4. Select the file within the Files area.
5. Click **Query for Devices**.
6. Select the Metreau keypad within the Devices area.
The MET-6N will appear as two devices in the Devices area because it's built-in IR Receiver is recognized as a separate online device.
The Device Address of the IR Receiver is always one number higher than the device number of the keypad itself (to which the firmware is uploaded). For example, if the MET-6N is set to device number 127, then the IR Receiver on that MET-6N will appear as device number 128. Firmware must be sent to the keypad, not the IR Receiver (in this example, device 127).
7. Click **Send**. When NetLinX Studio has finished sending the firmware file to the keypad, you can click **Close** and then exit NetLinX Studio.

Sending Firmware to Metreau Keypads with Ethernet

The basic process of upgrading firmware on Metreau Keypads with Ethernet involves downloading the latest firmware files from www.amx.com and using NetLinx Studio to transfer the files to a target keypad.

NOTE: *These steps assume that you have already established a connection with the target keypad in NetLinx Studio.*

1. In NetLinx Studio, click on the **OnLine Tree** tab (in the Workspace Bar) to view the devices on the System.
2. In the OnLine Tree tab, click **Display** and select **Refresh System** from the context menu. Doing so establishes a new connection to the System and populates the device tree with devices on that system.
3. After the *Communication Verification* dialog indicates active communication between the PC and the Central Controller, verify the Master and associated devices (including the *Device Controller*) are listed in the OnLine Tree.
4. In NetLinx Studio, select **Tools > Firmware Transfers > Send to NetLinx Device** (FIG. 38):



FIG. 38 NetLinx Studio - Tools > Firmware Transfers > Send to NetLinx Device

The *Send to NetLinx Device* dialog opens.

5. Click the *Browse* button (...) to locate and select the firmware (*.kit) file that will be transferred, in the *Browse for Folders* dialog (FIG. 39):

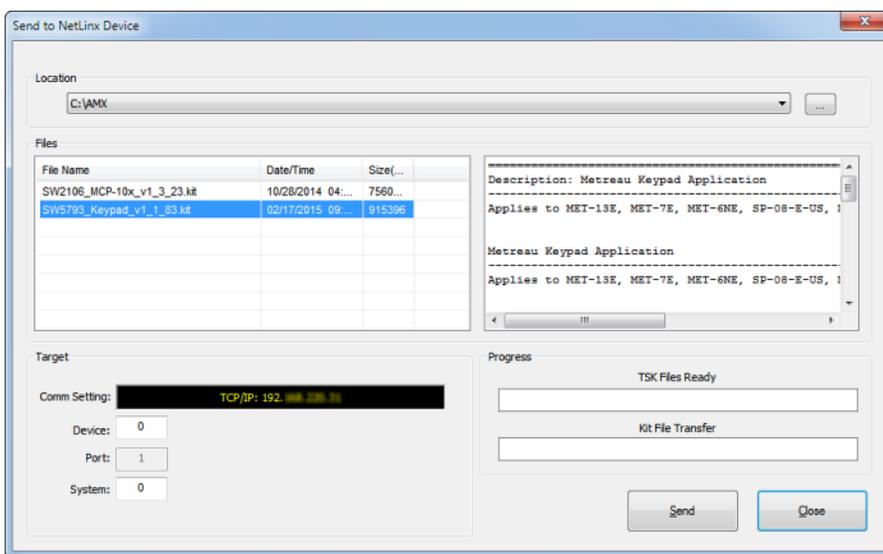


FIG. 39 Send to NetLinx Device dialog

The selected file is indicated in the *Files* window.

6. Verify the target's *System* number matches the value listed within the active System folder in the OnLine Tree.
 - The *Device* number is always **0** for the Master.
 - Note that the *Port* field is disabled.
7. Click **Send** to begin the transfer. The file transfer progress is indicated in the *Progress* section of the dialog. The keypad reboots when the file transfer is complete.
8. Click **Close** once the keypad is finished rebooting.
9. In the OnLine Tree, right-click on the Master and select **Refresh System**. This establishes a new connection and refreshes the device list and their firmware versions in your system.

Programming the SWT Metreau Keypads

SWT-only Metreau keypads (DAS-MET-6SRC and DAS-MET-NUM) are configured via options that are accessible through the Tango Audio Controller.

Refer to the *Tango Audio Controller Operation/Reference Guide* (available from www.amx.com) for details.

Programming

Programming the Metreau Keypads

Button Layouts

The following illustrations indicate the button numbers for each of the Metreau keypads (MET-6N, MET-6NE, MET-7, MET-7E, MET-7X, MET-13, MET-13E, and MET-13X):

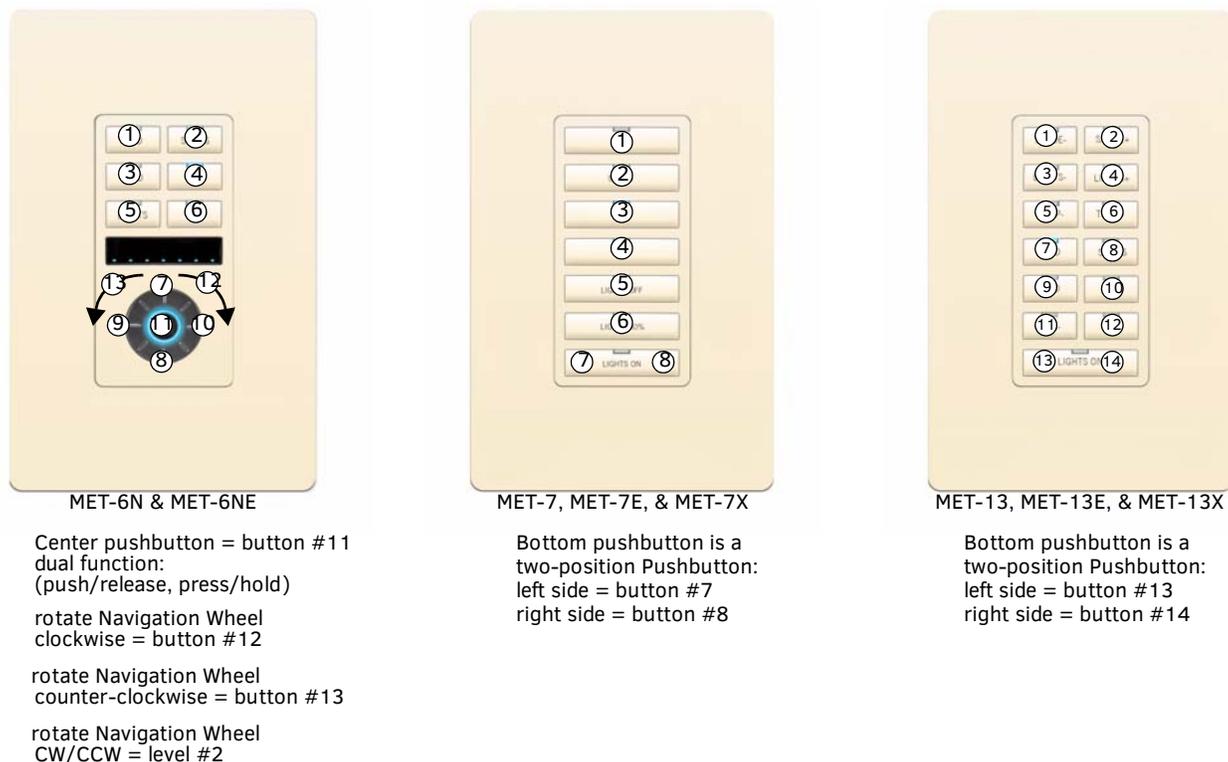


FIG. 40 Button Layout - Metreau Keypads

Channels

Channels on Metreau keypads correspond to the button numbers on each keypad as indicated in FIG. 40.

Port Numbers

Metreau keypads with Ethernet support the following port numbers:

Port Numbers	
Port	Description
1	Metreau keypad with Ethernet
2	First daisy-chained keypad (optional)
3	Second daisy-chained keypad (optional)
4	IR Receiver on MET-6NE. This port supports PUSH and RELEASE channels 1-255 for the received IR code. See the <i>Device Addressing on MET-6N Keypads</i> section on page 24 for information on determining the device address for the IR Receiver on the MET-6N.

Programming the Navigation Wheel (MET-6N & MET-6NE)

The Navigation Wheel has multiple programming functions. The device has four buttons mounted underneath the wheel, assigned as top, bottom, left, right, and center. These buttons are fully programmable. The wheel itself is also fully programmable.

The Navigation Wheel on the MET-6N and MET-6NE can be treated from a NetLinx programming perspective as 5 distinct pushbuttons plus Channel up and down. The button layout for the Navigation Wheel is indicated below (FIG. 41).

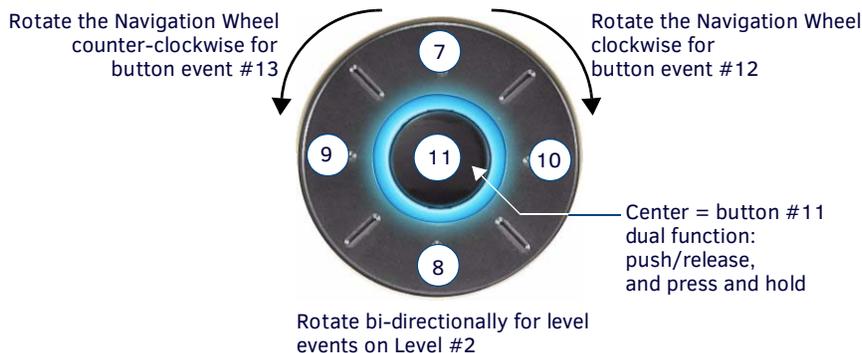


FIG. 41 Navigation Wheel - button layout (MET-6N displayed)

Navigation Wheel - Buttons 7-11

The top, bottom, left, right and center points on the Navigation Wheel are pushbuttons that provide events on Channels #7, #8, #9, #10 and #11, and can be programmed like any other button.

Navigation Wheel - Buttons 12-13

The Navigation Wheel itself can be rotated clockwise and counterclockwise, and is intended to provide level control (for example volume or lighting levels).

- When rotated clockwise, the Navigation Wheel provides events on Channel #12.
- When rotated counter-clockwise, the Navigation Wheel provides events on Channel #13.
- When rotated (clockwise/counter-clockwise), the Navigation wheel provides level events on Level #2.

Navigation Wheel - Level Control

In addition to generating button events, a rotation of the wheel causes a level change on Level #2:

- Clockwise rotations increase the level
- Counter-clockwise rotations decrease the level.

Example code is provided below:

```
LEVEL_EVENT[dvMetreau,2]
{
    volume = level.value
    SEND_STRING 0, "Volume is now: ", ITOA(volume)"
}
```

Display Bargraph

The display bargraph consists of 7 LEDs and is controlled via Level #1. Sending a level will update the LEDs on the display bargraph.

Example code is provided below:

```
SEND_LEVEL dvMetreau,1,200
```

Supported SEND_LEVELs

MET-6N and MET-6NE keypads support a SEND_LEVEL on Level #1. This level is used to adjust the LED bargraph display on the keypad.

SEND_LEVELs	
SEND_LEVEL	Adjusts the LED bargraph display on the keypad. Syntax: SEND_LEVEL <device address>,1,<level> Variables: level = LED bargraph display (range = 0 - 255).

Supported SEND_COMMANDS

The AxLink-enabled Metreau keypads (MET-6N, MET-7 and MET-13) and Metreau keypads with Ethernet (MET-6NE, MET-7E, and MET-13E) support a number of NetLinx SEND_COMMANDS, described in the following section. To use these commands, establish a Telnet session from the PC to the NetLinx master (see the *Establishing a Terminal Connection via Telnet* section on page 49 for more information.)

NOTE: All text is based on a Unicode index.

SEND_COMMANDS	
Command	Description
@BRT	<p>Set Brightness level for all LEDs (pushbuttons and levels indicator bar) for both On and Off states.</p> <p>Syntax: @BRT-<on brightness (0-32)>,<off brightness (0-32)></p> <p>Variables: on brightness = LED On brightness; ranges from 0 (off) to 32 (max). off brightness = LED Off level brightness; ranges from 0 (off) to 32 (max).</p> <p>Example: SEND_COMMAND keypad, '@BRT-32,0'</p> <p>Sets the LEDs to max brightness in the On state (32), and minimum brightness (no illumination) in the Off state (0).</p>
@WBRT	<p>Set Brightness level for Navigation Wheel LED, for both On and Off states.</p> <p>NOTE: This command is only valid on the MET-6N keypad.</p> <p>Syntax: '@WBRT-<on brightness (0-32)>,<off brightness (0-32)>'</p> <p>Variables: on brightness = Scroll Wheel LED on brightness; ranges from 0 (off) to 32 off brightness = Scroll Wheel LED off brightness; ranges from 0 (off) to 32</p> <p>Example: SEND_COMMAND keypad, '@WBRT-32,0'</p> <p>Sets the Navigation Wheel LED to max brightness in the On state (32), and minimum brightness (no illumination) in the Off state (0).</p>
BMODE	<p>Sets the bargraph mode.</p> <p>NOTE: This command is only valid on the MET-6E and MET-6NE keypads.</p> <p>Syntax: 'BMODE-<bargraph mode 0-9>'</p> <p>Sets the specified bargraph to operate in one of the following modes:</p> <ul style="list-style-type: none"> 0 = (default) normal bar mode 1 = normal dot mode (only one peak LED on at a time) 2 = special bar mode (a level of 1-32 still has first LED on) 3 = special dot mode (a level of 1-32 still has first LED on) 4 = inverse normal bar mode 5 = inverse normal dot mode 6 = inverse special bar mode 7 = inverse special dot mode 8 = individual element, discrete mode 9 = inverse individual element, discrete mode <p>Example: SEND_COMMAND keypad, 'BMODE-0'</p>

SEND_COMMANDS (Cont.)	
Command	Description
?EXPANSION	<p>Allows NetLinX code to query the keypad to determine whether any expansion keypads are attached to it.</p> <p>Syntax: ?EXPANSION</p> <p>Example: SEND_COMMAND DEVICE_1, "'?EXPANSION' "</p> <p>Response Syntax: "Expansion-<index>,<count>,<port>,<type>,<description>"</p> <p>Variables: Index - response index, starting with 1 Count - total number of response strings (i.e. max # of expansion keypads allowed, currently 2) Port - Port associated with the expansion keypad Type - Expansion keypad type (either MET-7X or MET-13X) Description - Product description</p> <p>Example Response Strings when a single expansion keypad is present: "Expansion.Device-1,2,2,MET-7X,Metreau 7-Button Expansion Keypad" "Expansion.Device-2,2,3,NONE,NONE"</p>
LED-DIS	<p>Disable LEDs on the keypad.</p> <p>Syntax: LED-DIS</p> <p>Example: SEND_COMMAND DEVICE_1, "'LED-DIS' "</p> <p>Disables LEDs on DEVICE_1.</p> <p>NOTE: <i>This parameter does not get stored in non-volatile memory. LEDs are enabled by default at each power-up.</i></p>
LED-EN	<p>Enable LEDs on the keypad. LEDs are enabled by default.</p> <p>Syntax: LED-EN</p> <p>Example: SEND_COMMAND DEVICE_1, "'LED-EN' "</p> <p>Enables LEDs on DEVICE_1.</p>
REBOOT	<p>Reboot the keypad.</p> <p>Syntax: REBOOT</p> <p>Example: SEND_COMMAND DEVICE_1, "'REBOOT' "</p> <p>Reboots DEVICE_1.</p>
SET_NDX_DESC	<p>Set Friendly name and location for NDP.</p> <p>Syntax: SET_NDX_DESC-friendly name:location</p> <p>Max of 25 characters for <i>friendly name</i> and max of 25 characters for <i>location</i>. If more than 25 characters are sent for either friendly name or location, they will be truncated to a max of 25 characters.</p> <p>Neither the friendly name nor the location should contain a ":" character, as that character is used as a delimiter.</p> <p>NOTE: <i>This command requires a reboot to enable new settings.</i></p>

LED Feedback for 2-Position Pushbuttons

The Metreau 7- and 13-button keypads feature a 2-Position pushbutton at the bottom of the button layout (FIG. 42). The button can be used either as a single button (in which case it functions just like the other buttons), or it can be used as a 2-position button. In many cases, this button is used as a 2-position button to provide ramp up/down control, for volume, light levels, etc.

- On Metreau 7-button keypads, the 2-Position button utilizes button numbers **7** (*left-side*) and **8** (*right-side*).
- On Metreau 13-button keypads, the 2-Position button utilizes button numbers **13** (*left-side*) and **14** (*right-side*).

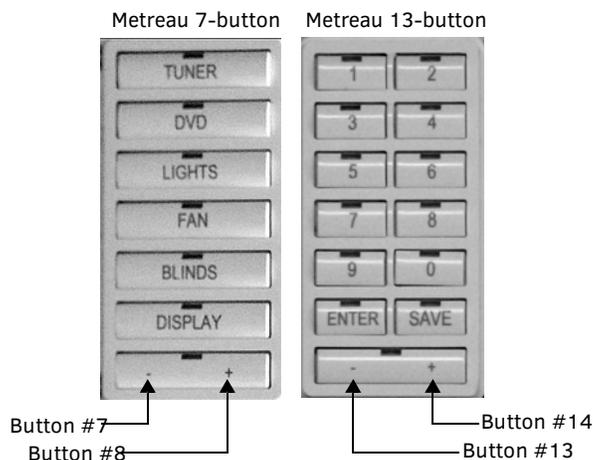


FIG. 42 MET-7 and MET-13 with 2-Position Button

NOTE: Only the left button provides LED feedback. To achieve LED feedback on the right button, you must toggle feedback on the left button.

Terminal (Telnet) Commands

Telnet terminal communication can be accessed remotely via TCP/IP.

Establishing a Terminal Connection via Telnet

1. In your Windows task bar, go to **Start > Run** to open the Run dialog.
2. Type **cmd** in the *Open* field and click **OK** to open an instance of the Windows command interpreter - "Cmd.exe" (FIG. 43):



FIG. 43 Windows command interpreter (Cmd.exe)

3. Type **"telnet"** followed by a space and the keypad's IP address:


```
>telnet XXX.XXX.XXX.XXX
```
4. Press <Enter>.
 - Without a Telnet password set, a session will begin with a welcome banner similar to the following:


```
Welcome to SP-08-E-US v1.0.44 Copyright AMX LLC
>
```
 - If a Telnet password is set, then user credentials are required:


```
Enter username:
Enter protected password:
Welcome to SP-08-E-US v1.0.44 Copyright AMX LLC
>
```

Telnet User Name and Password

There are two Telnet commands that set the Telnet user name and password:

- Set Telnet Username (see page 54)
- Set Telnet Password (see page 54)

By default, both the user name and password are blank (empty string). Performing a factory reset on the device will return these values to that default. See the *Performing a Factory Reset* section on page 18 for details.

- Setting the *User Name* will have no effect if the password remains blank (empty string). That is, defining the user name alone will not result in Telnet prompting for user login.
- Setting the *Password* will cause Telnet to prompt for user login, whether the user name has been defined or not. If the user name has been defined, this value must be entered.

However, since the password can be set independently of the user name, it's possible to have a password defined, but the user name still at its default (blank, empty string).

In this case, do not enter anything for the user name when prompted. Simply press <Enter>, which will then present the password prompt. Here, the defined password must be entered, in order to successfully open the Telnet session.

Additional Notes

- Both the Telnet user name and password are case-sensitive.
- Three consecutive, unsuccessful attempts to log in to Telnet will cause the Telnet window to close. Re-launching Telnet will again present the login prompt, with a fresh "batch" of login attempts.
- If Telnet login fails because of an incorrect user name, you will receive the "Invalid Password" message (as opposed to an "Invalid Username" message).

Setting a Telnet User Name and Password

To set a Telnet user name and password:

1. Establish a terminal connection via Telnet.
2. Type **Set Telnet Username**, and press <Enter>. The program will prompt you to enter a new Telnet user name.
3. Enter a user name and press <Enter>. The program will indicate that the user name is being stored.
4. Type **Set Telnet Password**, and press <Enter>.

NOTE: Press <Enter> twice when asked to enter the password to clear both the telnet user name and password.

5. The program will prompt you to enter a password. Enter a password and press <Enter>.
6. The program will prompt you to re-enter the Telnet password. Re-enter the password and press <Enter>. The program will indicate that the password is being stored.

Telnet Commands

The commands listed in the following table can be sent directly to the EXB Module via a Telnet terminal session.

In your terminal program, type "**Help**" or a question mark ("?) and <Enter> to access the Help Menu, and display the Program port commands described below:

Terminal Commands	
Command	Description
? or Help	Display this list of commands.
DEVICE STATUS	Display device status of a specified device, port, system (<D:P:S>). Example: >device status 14021:1:1 Device Status ----- Device 14021 AMX LLC,SP-08-E-US,v1.0.25 contains 1 Ports. Port 1 - Channels:8 Levels:1 MaxStringLen=64 Types=8 bit MaxCommandLen=64 Types=8 bit The following input channels are on:1,2,3,4 The following output channels are on:None Level 1=0 Supported data types=UByte,UInt >
EXIT	Exit the telnet session
FACTORYFWIMAGE	Reset unit to factory firmware image and reboots the Module.

Terminal Commands (Cont.)	
Command	Description
GET CONFIG	<p>Display the current connection settings.</p> <p>Example:</p> <pre>>get config Device number: 10001 Connection Settings ----- ICSNet/Ethernet: Ethernet Mode: URL System Number: 1 Master IP/URL: 192.168.1.211 Master Port: 1319 Username: Password: IP Settings ----- HostName: localhost Type: DHCP IP Address: 192.168.1.53 Subnet Mask: 255.255.255.0 Gateway IP: 192.168.1.1 MAC Address: 00:60:9f:94:2d:4f DNS Servers ----- Domain suffix: amx.internal Entry 1: 192.168.20.7 Entry 2: 192.168.20.9</pre> <p>NOTE: <i>The system number and IP addressing information displayed is reflective of actual operating values, not stored parameters.</i></p>
GET CONNECTION	<p>Show the Module connection information.</p> <p>Example:</p> <pre>>get connection Connection Settings ----- ICSNet/Ethernet: Ethernet Mode: URL/TCP System Number: 1 Master IP/URL: 192.168.1.211 Master Port: 1319 Username: Password:</pre>
GET DEVICE	Display the device number.
GET DNS	<p>Get list of DNS entries.</p> <p>Example:</p> <pre>>get dns DNS Servers ----- Domain suffix: amx.internal Entry 1: 192.168.20.7 Entry 2: 192.168.20.9</pre> <p>NOTE: <i>When the module is in DHCP mode, these are active values, NOT the stored values that only apply to static mode.</i></p>
GET ETHERNET MODE	<p>Display the current LAN configuration setting.</p> <p>Settings are either "auto" in which the LAN driver will discover it's settings based on the network it is connected to OR <speed> and <duplex> where speed is either 10 or 100 and duplex is either full or half.</p> <p>Example:</p> <pre>>GET ETHERNET MODE Ethernet mode is auto.</pre> <p>NOTE: <i>See the SET ETHERNET MODE command on page 53.</i></p>
GET FRIENDLY <name>	Displays the Module's friendly name (for NDP).

Terminal Commands (Cont.)	
Command	Description
GET IP	<p>Displays the IP configuration of a device.</p> <p>The device displays its D:P:S, host name, type (<i>DHCP</i> or <i>Static</i>), IP address, subnet mask, gateway IP, and MAC address.</p> <p>Example:</p> <pre>>GET IP HostName MLK-INSTRUCTOR Type DHCP IP Address 192.168.21.101 Subnet Mask 255.255.255.0 Gateway IP 192.168.21.2 MAC Address 00:60:9f:90:0d:39</pre>
GET LOCATION	Displays the location parameter for NDP (set by the <i>SET LOCATION</i> command on page 54).
GET SN	Returns the device's serial number
INFO	Provides at-a-glance information about the keypad including any expansion keypads that are attached to it.
MSG [ON OFF]	<p>Enables/Disables extended diagnostic messages.</p> <ul style="list-style-type: none"> MSG On [error warning info debug] sets the terminal program to display log messages generated by the Master. <p>The level of log printed to the terminal window depends both on the level used when sending the message and the output level selected with "msg on."</p> <p>For example if log output is enabled via "msg on warning" then logs produced at levels AMX_ERROR and AMX_WARNING will be displayed, but not logs produced at levels AMX_INFO or AMX_DEBUG.</p> <p>The order of severity from highest to lowest is ERROR, WARNING, INFO, DEBUG.</p> <p>If no severity is supplied with "msg on", the default setting is WARNING.</p> <ul style="list-style-type: none"> MSG OFF disables the display. <p>Example:</p> <pre>> MSG ON Extended diagnostic information messages turned on. > MSG OFF Extended diagnostic information messages turned off.</pre>
NDP UNBIND	Clears the NDP binding to a master (takes effect after next boot).
PING [ADDRESS]	<p>Pings an address (IP or URL), to test network connectivity to and confirms the presence of another networked device.</p> <p>The syntax matches the PING application in Windows or Linux.</p> <p>Example:</p> <pre>>ping 192.168.29.209 192.168.29.209 is alive.</pre>
REBOOT	<p>Reboots the keypad.</p> <p>Example:</p> <pre>>REBOOT Rebooting...</pre>
RENEW DHCP	<p>Renews/Releases the current DHCP lease for the keypad.</p> <p>Example:</p> <pre>>RENEW DHCP</pre>
RESET FACTORY	<p>Resets the device's stored parameters to factory default state including removal of all security settings, resetting to DHCP.</p> <p>This command will cause an automatic reboot.</p> <p>NOTE: <i>This command does not reset the device to the factory software image.</i></p>
SET CONNECTION	<p>Set the master connection settings interactively, allowing the user to specify the mode.</p> <ul style="list-style-type: none"> If mode is TCP or UDP, the master URL and port number can be specified as well. If AUTO is selected, the System number can be specified. After all data is entered, if the parameters have changed, the Module will disconnect from the Master, and begin trying to connect with the new settings. <p>NOTE: <i>These changes do not require a reboot to take effect.</i></p>

Terminal Commands (Cont.)	
Command	Description
SET DEVICE	<p>Set the device number, and store in non-volatile memory.</p> <p>Syntax: <code>SET DEVICE <num></code></p> <p>The valid range of device numbers is 0-31999.</p> <ul style="list-style-type: none"> • If the user enters a number outside that range, then no change will be made and the Module will issue an error message. • A Device Number of '0' means that the Module will accept the auto-assigned device number from the Master. • If the new device number is different from the old device number, the Module will disconnect from the Master, and begin trying to connect with the new settings. <p>NOTE: <i>These changes do not require a reboot to take effect.</i></p>
SET DNS	<p>Set the DNS configuration of the EXB Module, only as applied to Static IP addressing mode (DNS settings in DHCP mode are received from the DHCP server).</p> <p>Syntax: <code>SET DNS <D:P:S></code></p> <p>This command prompts you to enter a Domain Name, DNS IP #1, DNS IP #2, and DNS IP #3.</p> <ul style="list-style-type: none"> • Enter Y (yes) to approve/store the information in the Master. • Enter N (no) cancels the operation. <p>NOTE: <i>The device must be rebooted to enable new settings.</i></p> <p>Example: <pre>>SET DNS [0:1:0] -- Enter New Values or just hit Enter to keep current settings -- Enter Domain Suffix: amx.com Enter DNS Entry 1 : 192.168.20.5 Enter DNS Entry 2 : 12.18.110.8 Enter DNS Entry 3 : 12.18.110.7 You have entered: Domain Name: amx.com DNS Entry 1: 192.168.20.5 DNS Entry 2: 12.18.110.8 DNS Entry 3: 12.18.110.7 Is this correct? Type Y or N and Enter -> Y Settings written. Device must be rebooted to enable new settings</pre></p>
SET ETHERNET MODE	<p>This command sets the current LAN configuration settings per new mode.</p> <p>Syntax: <code>SET ETHERNET MODE <newmode></code></p> <p>Values for <i>newmode</i> are: auto - or - 10 100 full half</p> <p>NOTE: <i>This command requires a reboot to enable new settings.</i></p> <p>Examples : <pre>set ethernet mode auto set ethernet mode 100 full</pre></p> <p>NOTE: <i>See the GET ETHERNET MODE command on page 51.</i></p>
SET FRIENDLY	<p>Set the device's friendly name for NDP to <name>.</p> <p>Syntax: <code>SET FRIENDLY <name></code></p> <ul style="list-style-type: none"> • Maximum length = 25 characters. If the name entered exceeds 25 characters, it will be truncated. • The value is stored in non-volatile memory. • If no value specified, an automatic name consisting of AMX, the product name, and serial number will be used. <p>NOTE: <i>Note: This command requires a reboot to enable new settings.</i></p>

Terminal Commands (Cont.)	
Command	Description
SET IP	<p>Sets the IP configuration of a specified device. Enter a host name, type (<i>DHCP</i> or <i>Fixed</i>), IP address, subnet mask, and gateway IP address.</p> <p>NOTE: "DHCP" implies "DHCP with link-local fallback".</p> <p>NOTE: For NetLinx Masters, the "Host Name" can only consist of alphanumeric characters.</p> <ul style="list-style-type: none"> • Enter Y (yes) to approve/store the information into the Master. • Enter N (no) to cancel the operation. <p>NOTE: This command requires a reboot to enable new settings.</p> <p>Example:</p> <pre>>SET IP --- Enter New Values or just hit Enter to keep current settings --- Enter Host Name: MLK_INSTRUCTOR Enter IP type. Type D for DHCP or S for Static IP and then Enter: DHCP Enter Gateway IP: 192.168.21.2 You have entered: Host Name MLK_INSTRUCTOR Type DHCP Gateway IP 192.168.21.2 Is this correct? Type Y or N and Enter -> y Settings written. Device must be rebooted to enable new settings.</pre> <p>NOTE: Metreau keypads can also be set to Static IP or DHCP Mode by using the ID Pushbutton. See the <i>Toggleing Between IP Addressing Modes: DHCP and Static IP</i> section on page 41 for details.</p>
SET LOCATION	<p>Sets the location parameter for NDP.</p> <p>Syntax:</p> <pre>SET LOCATION <location></pre> <ul style="list-style-type: none"> • Maximum length = 25 characters. If the name entered exceeds 25 characters, it will be truncated. <p>NOTE: This command requires a reboot to enable new settings.</p>
SET TELNET PORT	<p>Sets the device's IP port listened to for Telnet connections.</p> <p>Example:</p> <pre>>SET TELNET PORT Current telnet port number = 23 Enter new telnet port number (Usually 23)(0=disable Telnet): Once you enter a value and press <Enter>, you get the following message: Setting telnet port number to 23 New telnet port number set, reboot the device for the change to take effect.</pre> <p>NOTE: This command requires a reboot to enable new settings.</p> <p>See the <i>Enabling/Disabling Telnet on the Keypad</i> section on page 55 for additional information.</p>
SET TELNET USERNAME	<p>Set the user name for a secure Telnet session.</p> <ul style="list-style-type: none"> • Default = blank (no user name required) • See the <i>Setting a Telnet User Name and Password</i> section on page 50 for details.
SET TELNET PASSWORD	<p>Set the Password for a secure Telnet session.</p> <ul style="list-style-type: none"> • Default = blank (no password required) • See the <i>Setting a Telnet User Name and Password</i> section on page 50 for details.
SHOW CONNECTION LOG	<p>Show the master connection log for the device</p>
SHOW CONNECTION STATS	<p>Show the connection statistics for the device.</p> <p>Output similar to the following example:</p> <pre>>show connection stats Connection Statistics Total Last 15 Minutes ===== ICSP Messages: 10039 received 333 received 10038 transmitted 333 transmitted Blink Messages: 5014 received 166 received IP Statistics: RX packets:29298 errors:0 discarded:0 TX packets:15286 errors:0 discarded:0</pre>

Terminal Commands (Cont.)	
Command	Description
SHOW LOG	Display the message log. Syntax: SHOW LOG <start> <ul style="list-style-type: none"> • Use <start> to specify the message number to start displaying • Use <all> to display all messages.

Notes on Specific Telnet Clients

Telnet and terminal clients will have different behaviors in some situations. This section states some of the known anomalies.

Windows Client Programs

Anomalies occur when using a Windows™ client if you are not typing standard ASCII characters (i.e. using the keypad and the ALT key to enter decimal codes). Most programs will allow you to enter specific decimal codes by holding ALT and using keypad numbers.

For example, hold ALT, hit the keypad 1, then hit keypad 0, then release ALT. The standard line feed code is entered (decimal 10). Windows will perform an ANSI to OEM conversion on some codes entered this way because of the way Windows handles languages and code pages.

The following codes are known to be altered, but others may be affected depending on the computer's setup.

Characters **15**, **21**, **22**, and **any characters above 127**.

This affects both Windows Telnet and Terminal programs.

Linux Telnet Client

The Linux Telnet client has three anomalies that are known at this time:

- A null (\00) character is sent after a carriage return.
- If an ALT 255 is entered, two 255 characters are sent (per the Telnet RAFT).
- If the code to go back to command mode is entered (ALT 29 which is ^), the character is not sent, but Telnet command mode is entered.

Enabling/Disabling Telnet on the Keypad

By default, Telnet is enabled on all Metreau keypads. The default Telnet port is **23**.

You can change the Telnet port by using the SET TELNET PORT command (see page 54). Setting the Telnet port to zero disables Telnet access.

The SET TELNET PORT command requires a reboot to enable new settings.

NOTE: *The only way to re-enable Telnet once it has been disabled is to reset the unit to the factory default firmware image. See the Restoring the Factory Image on the Keypad section on page 42 for details.*

Basic Keypad Functions - DAS-MET-6SRC

Overview

Metreau Keypads are pre-configured to provide many common functions. The DAS-MET-6SRC provides basic keypad functionality, including Source Control (selecting source, initiating and pausing playback), Volume control (Up/Down), Zone control (On/Off), and audio (Bass/Treble/Balance/SRS Mode) adjustment.

NOTE: *The SWT Metreau keypads function essentially the same as previous versions SWT keypads.*

The standard configuration for the Audio (SWT) 6-Source Keypad (DAS-MET-6SRC) is described below. Note that while the functionality described here is fixed for the SWT Keypads, the AxLink Keypads can be customized, just like any other AxLink keypad.

DAS-MET-6SRC - Listening to a CD or DVD

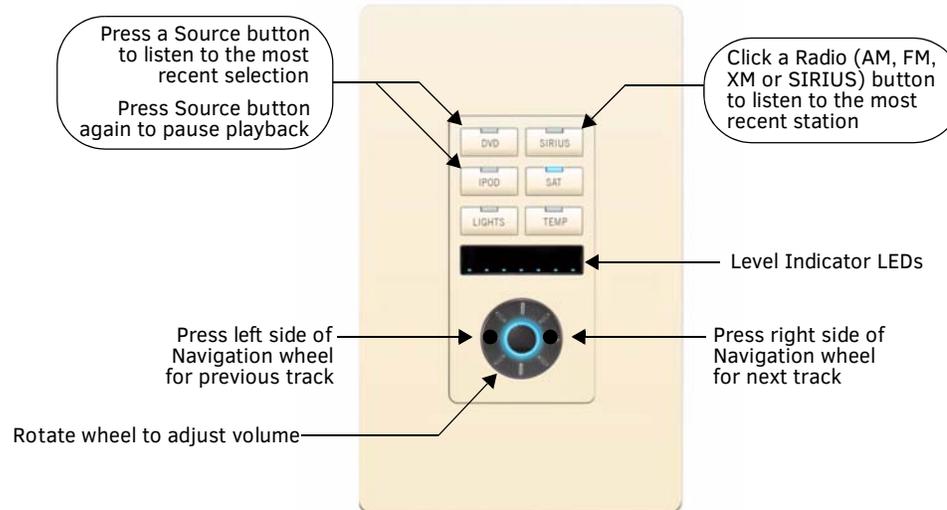


FIG. 44 Metreau Audio keypads

Selecting the Source for Playback

Press the source button (i.e. "CD" or "DVD") on the room/zone keypad to listen to the most recent selection.

- If the Source is off the system will turn it on.
- If the Source is stopped the system will initiate Play.
- If the Source has been paused or muted, the system will un-pause / un-mute it.

Changing Tracks

- Press the left and right sides of the Navigation Wheel to change tracks.
- Press the button in the center of the Navigation Wheel to select a track and initiate playback.

Pausing Playback

To Pause playback, press the button of the source that is currently playing (indicated by an active LED).

- The CD/DVD is only paused if there are no other zones listening to that source. If no other zones are listening to that source it will be paused.
- If the source remains paused for greater than 10 minutes, the Controller will send a POWER OFF command to the source.

Listening to an iPod

Dock the iPod in the docking station connected to the Tango Audio Controller, and press the iPod button on the room/zone keypad to listen to the most recent selection.

The UP, DOWN, LEFT, RIGHT, Centre PRESS and Centre HOLD buttons are programmed by the installer, based on what the individual dock with remote can do. For example, UP/RIGHT could both be programmed to be *Next track*, DOWN/LEFT could both be programmed to be *Previous track*, and Centre could be programmed to be *Play/Pause*.

Listening to the Radio

- Press the **AM**, **FM**, **SIRIUS** or **XM** button on the room/zone keypad to listen to the most recent station.
- Select a new station by pressing a custom-programmed button.

The UP, DOWN, LEFT, RIGHT, Centre PRESS and Centre HOLD buttons are programmed by the installer, however, the standard configuration for the AM/FM Tuner, and for the SIRIUS/XM Tuner is as follows:

AM/FM Tuner on a 6-source keypad:

- UP/DOWN = Seek Up/Down
- LEFT/RIGHT = Prev/Next Preset
- Centre Press = Toggle AM/FM
- Centre Hold = Toggle Stereo/Mono

SIRIUS/XM Tuner on a 6-source keypad:

- UP/DOWN = Channel UP/DOWN
- LEFT/RIGHT = Category Next/Prev
- Centre = Select
- Centre Hold = Menu

On a Numeric keypad:

- Select a new station by pressing the station's call numbers on the DAS-MET-NUM Numeric keypad.

Adjusting the Volume

The Navigation Wheel can be rotated bi-directionally, and provides volume level control.

- Clockwise rotation increases the volume level, counter-clockwise rotation decreases the volume level.
- When the volume is increased/decreased, the 7 LEDs on the KP will increase/decrease accordingly.
- Volume is changed based on angle rotation. Each quarter turn is approximately +/- 3db. The range for Volume is 0-70.

DAS-MET-6SRC - Audio Adjustment Mode

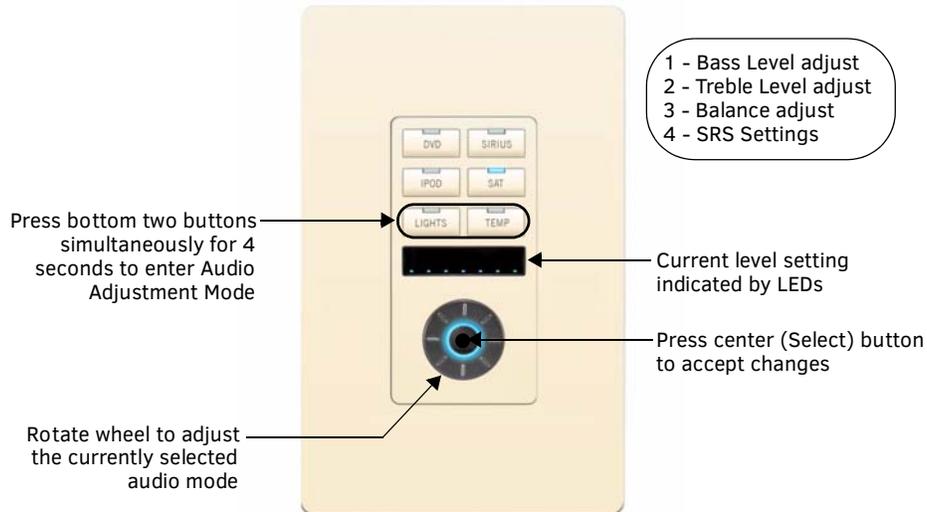


FIG. 45 DAS-MET-6SRC

On a 6-source keypad, press and hold the bottom two Source buttons simultaneously for four seconds to set or adjust Bass, Treble, Balance and SRS Mode settings in that room/zone.

Adjusting Bass Level For a Room/Zone

When the bottom two Source buttons are pressed simultaneously for four seconds, the first adjustment is for *Bass Level*:

- The **top-left** LED will blink to indicate that Bass Level Adjustment mode is active (FIG. 46).

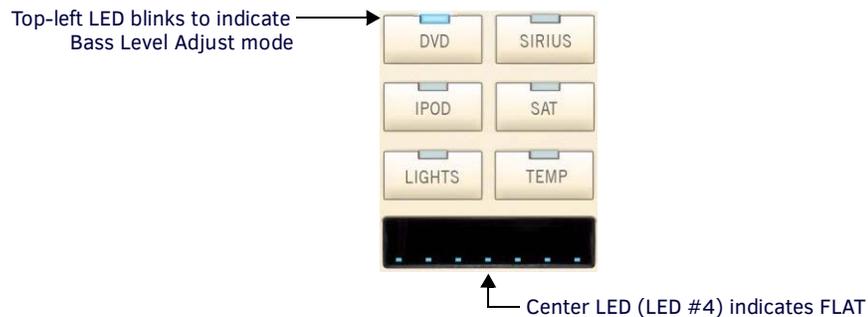


FIG. 46 Bass Level Adjust Mode

- Rotate the Navigation Wheel to adjust the bass level up (clockwise) or down (counter-clockwise).

NOTE: *Bass adjustments are provided in +/- 1dB steps, from -10dB (min) to +10dB (max).*

- The bass level is indicated in the LED display: Flat = center LED (#4) lit.
- Press and hold the center (Select) pushbutton on the Navigation Wheel for 3 seconds to return to the default Bass Level setting.

Press the center (Select) pushbutton on the Navigation Wheel to set the current bass level, and proceed to *Treble Adjustment* mode.

Adjusting Treble Level For a Room/Zone

When the Bass Level is set (via the Select button - see above), the next adjustment is for *Treble Level*:

- The **top-right** LED will blink to indicate that Treble Adjustment mode is active (FIG. 47).

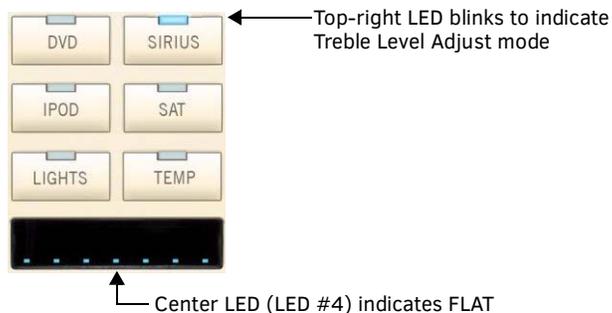


FIG. 47 Treble Level Adjust Mode

- Rotate the Navigation Wheel to adjust the treble level up (clockwise) or down (counter-clockwise).

NOTE: Note: Treble adjustments are provided in +/- 1dB steps, from -10dB (min) to +10dB (max).

- The treble level is indicated in the LED display: Flat = center LED (#4) lit.
- Press and hold the center (Select) pushbutton on the Navigation Wheel for 3 seconds to return to the default Treble Level setting.

Press the center (Select) pushbutton on the Navigation Wheel to set the current treble level, and proceed to *Balance Adjustment* mode.

Adjusting Balance For a Room/Zone

When the Treble Level is set (via the Select button - see above), the next adjustment is for *Balance Adjust*:

- The **middle-row left** LED will blink to indicate that Balance Adjust mode is active (FIG. 48).

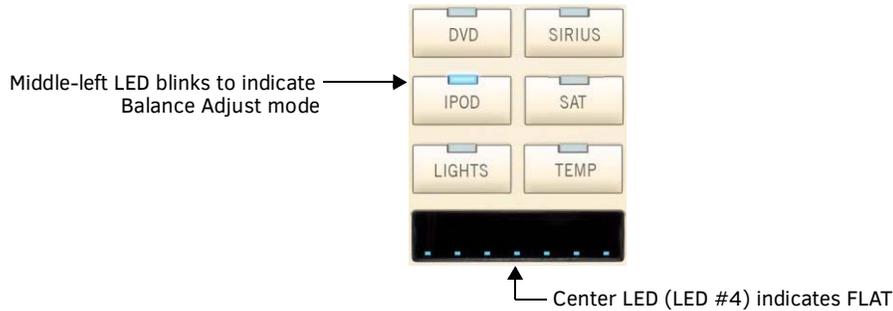


FIG. 48 Balance Adjust Mode

- Rotate the Navigation Wheel to adjust the balance right (clockwise) or left (counter-clockwise).
- The balance setting is indicated in the LED display: Flat = center LED (#4) lit.
- Press and hold the center (Select) pushbutton on the Navigation Wheel for 3 seconds to return to the default Balance setting.

Press the center (Select) pushbutton on the Navigation Wheel to set the current balance settings, and proceed to *SRS Adjustment* mode.

Adjusting SRS Settings For a Room/Zone

When the Balance setting is set (via the Select button - see above), the next adjustment is for *SRS Adjust*:

- The **second-row right** LED will blink to indicate that SRS Adjust mode is active (FIG. 49).

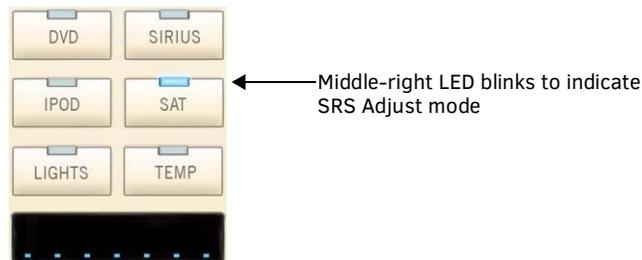


FIG. 49 SRS Adjust Mode

- Rotate the Navigation Wheel to select the desired SRS mode.

Press the center (Select) pushbutton on the Navigation Wheel to set the current SRS settings, and proceed to *LED "ON" Brightness Adjust* mode.

Turning SRS Off

Press and hold the Center Navigation button while in SRS mode.

DAS-MET-6SRC - Privacy Mode Off/On

When Privacy Mode is engaged, the room/zone cannot be paged, apart from this, the room/zone will function normally.

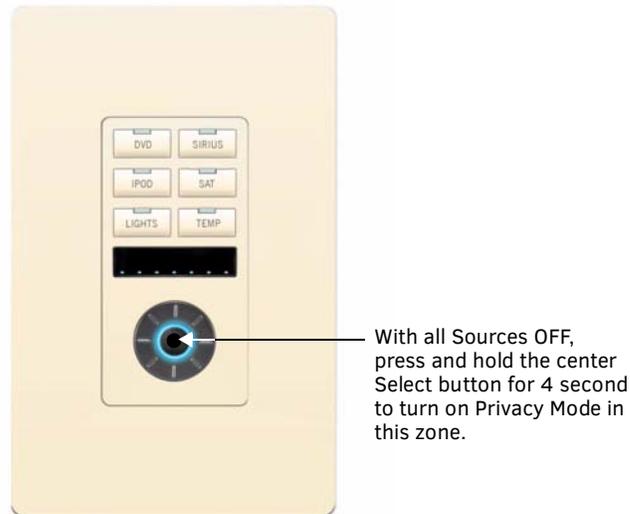


FIG. 50 Privacy Mode Off/On

NOTE: To use Privacy Mode in a specific zone, the keypad must be OFF (no sources selected).

To engage Privacy Mode, press and hold the **Select** button (the center pushbutton on the Navigation Wheel) for 4 seconds. All Source buttons will glow & pulse at a low level to indicate Privacy mode is active.

Turning Off Privacy Mode

To disengage Privacy Mode, turn on the zone by pressing any one of the source buttons.

Working with Sources

When a Source button is selected, the following occurs:

The Source is turned ON, and if there is a Favorite assigned for the Source, then the favorite begins playing. If no Favorite has been set for the Source, the following occurs:

- If the Source is the on-board Tuner, the first Preset will begin playing. If there are no Presets, then the last station listened to will begin playing.
- If the Source is an external Tuner, the last station listened to will begin playing.
- If the Source is a CD player/changer, the first Track of the first CD will begin playing (unless the source has the ability to retain its previous settings).
- If the Source is Satellite, then the last station listened to will begin playing.

NOTE: Note: For information on assigning a Favorite to a Source, refer to the *Creating a Favorite for a Specific Source* section on page 69. For information on assigning a Preset to a Tuner, refer to the *Creating a Preset* section on page 68.

DAS-MET-6SRC - Zone Control (On/Off)

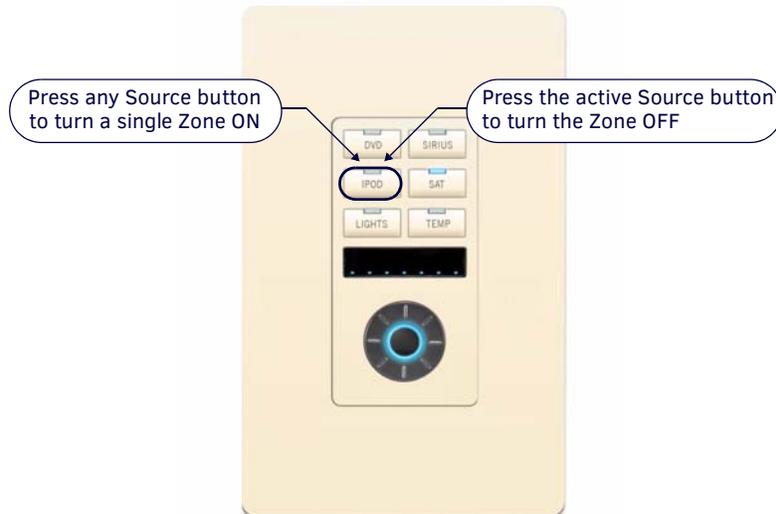


FIG. 51 Zone Control (On/Off)

Turning a Single Zone On/Off

- To turn a single Zone ON, press any Source Button.
- To turn a single Zone OFF, press the Active Source Button.

Turning On a Source in All Zones

Press and hold any Source Button for a duration of 4 seconds (the selected Source will play in all zones).

Turning Off/On a Source in All Zones

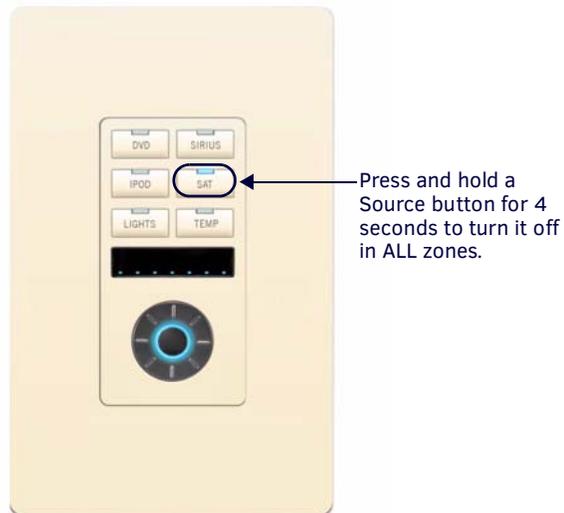


FIG. 52 Turning Off a Specific Source in All Zones

Press and hold the active Source button for 4 seconds to turn it off in all zones.

To turn the source back on in all zones, press and hold the same Source button for 4 seconds.

Turning Off All Zones (System OFF)

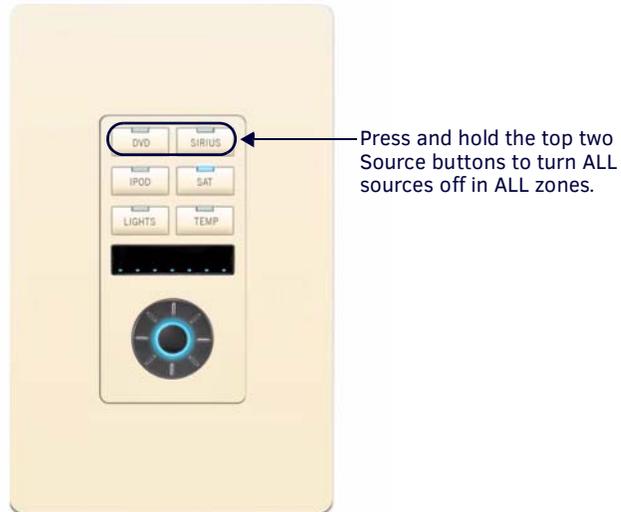


FIG. 53 Turning Off all Sources in All Zones

Press and hold the top two Source buttons simultaneously for 4 seconds.

NOTE: All zones will be turned off, and no sources will play. One minute after an ALL OFF has been performed, all sources will power down and the Controller will Default to "Standby Mode".

DAS-MET-6SRC - Zone Control (Dynamic Pause)

Switching sources within a single zone, turning off an active source within a single zone, and switching sources for all (grouped) dynamically pauses the source device that is no longer being used.

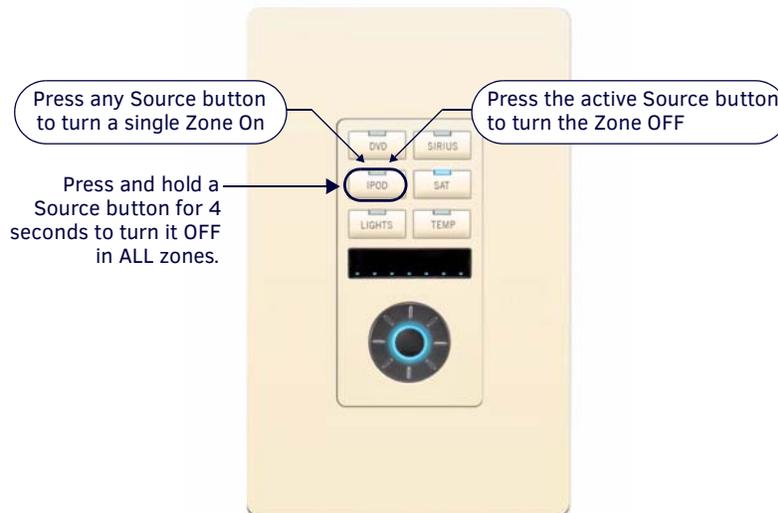


FIG. 54 Turning Off All Zones

Single Zone Listening To Source

Switching sources, or turning off the Source for a single Zone dynamically pauses the Source:

- With a single Zone listening to a Source, **switching to a different Source** dynamically pauses the original Source, and begins playing the newly selected Source.
- With a single Zone listening to a Source, **turning off the Source** dynamically pauses the Source.

Multiple Zones Listening To The Same Source

Switching Sources, or turning off the Source for one Zone *does not* dynamically pause the Source:

- With multiple Zones listening to the same Source, **switching to a different Source** from one of the Zones *does not* pause the original Source, and the original Source continues to play in all other Zones that are On.
- With multiple Zones listening to the same Source, **turning off the Source** for one zone *does not* dynamically pause Source, and the original Source continues to play in all other Zones that are On.

Single or Multiple Zones Listening To The Same Source

Grouping *all* Zones to another Source, dynamically pauses the Source:

- With single or multiple Zones listening to the same Source, grouping all Zones from another Zone using a different Source dynamically pauses the original Source.

DAS-MET-6SRC - Using the Navigation Wheel

The Navigation Wheel on the DAS-MET-6SRC provides multiple functions, based on the source type selected, as described in the following sections:

Using the Navigation Wheel with the Internal AM/FM Tuner

FIG. 55 describes the functions available at the Navigation Wheel, when using the internal AM/FM Tuner:

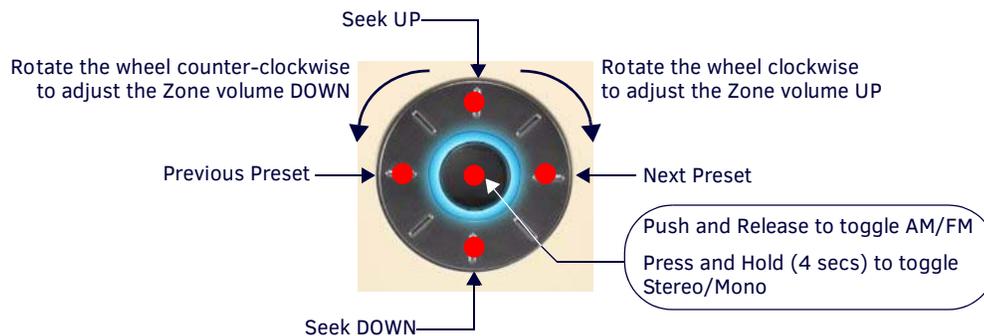


FIG. 55 Using the Navigation Wheel With The Internal AM/FM Tuner

Using the Navigation Wheel with the Internal SIRIUS Tuner

FIG. 56 describes the functions available at the Navigation Wheel, when using the internal SIRIUS Satellite Radio Tuner:

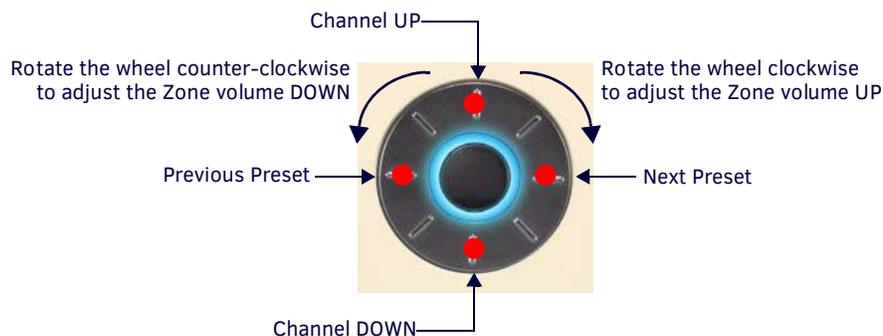


FIG. 56 Using the Navigation Wheel With The Internal SIRIUS Satellite Radio Tuner

Using the Navigation Wheel with a CD Player/Changer

FIG. 57 describes functions available at the Navigation Wheel, when used with a CD Player/Changer:

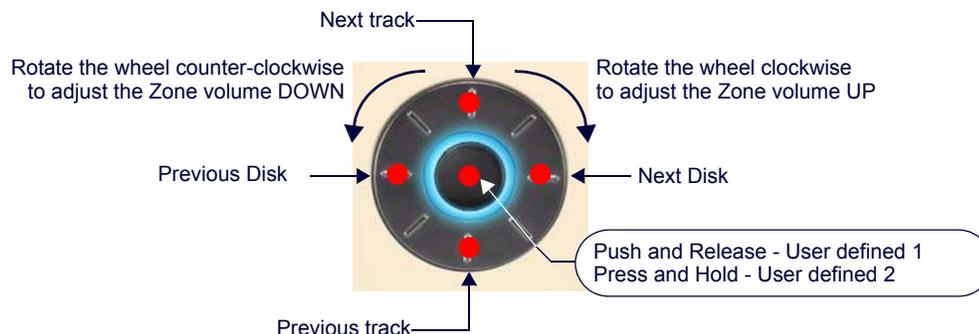


FIG. 57 Using the Navigation Wheel With CD Player/Changer

NOTE: These are suggested settings. All buttons are user-definable.

Using the Navigation Wheel with a DVD Player/Changer

FIG. 58 describes functions available at the Navigation Wheel, when used with a DVD Player/Changer:

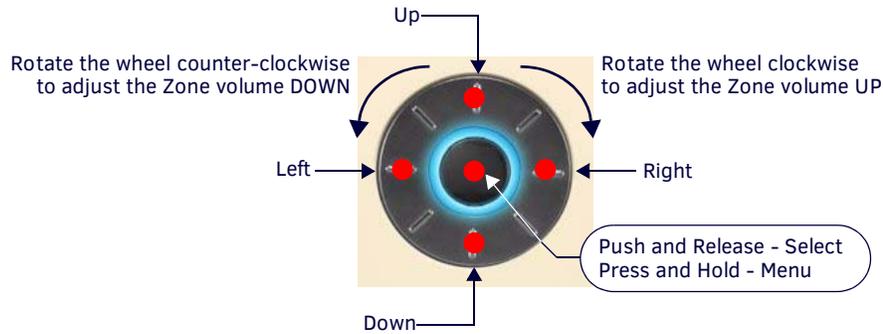


FIG. 58 Using the Navigation Wheel With DVD Player/Changer

NOTE: These are suggested settings. All buttons are user-definable.

Using the Navigation Wheel with a Satellite Radio/Video Box

FIG. 59 describes functions available at the Navigation Wheel, when used with a DVD Player/Changer:

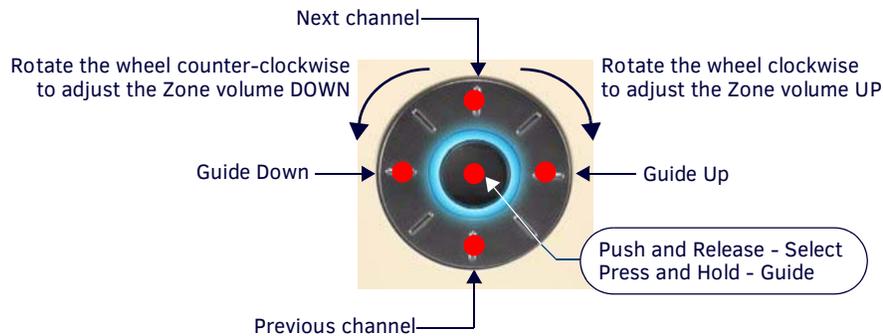


FIG. 59 Using the Navigation Wheel With Satellite Radio/Video Box

NOTE: These are suggested settings. All buttons are user-definable.

Using the Navigation Wheel with an Audio Server

FIG. 60 describes functions available at the Navigation Wheel, when used with an Audio Server:

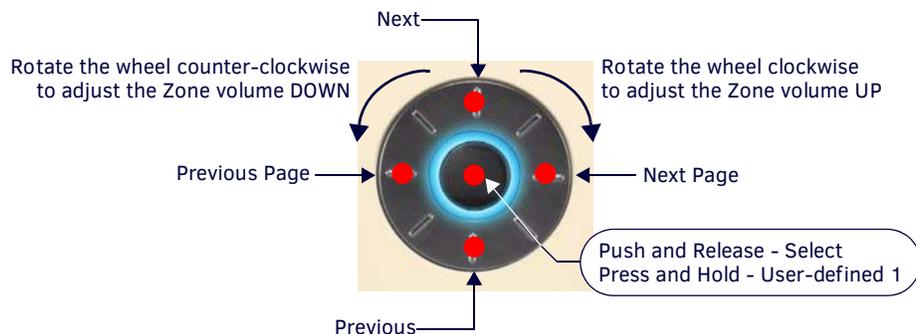


FIG. 60 Using the Navigation Wheel With Audio Server

NOTE: These are suggested settings. All buttons are user-definable.

Using the Navigation Wheel with an External Tuner

FIG. 61 describes functions available at the Navigation Wheel, when used with an External Tuner:

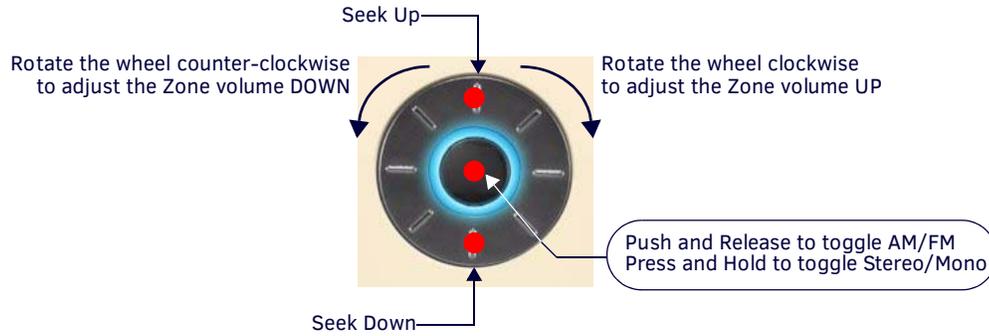


FIG. 61 Using the Navigation Wheel With External Tuner

NOTE: These are suggested settings. All buttons are user-definable.

Using the Navigation Wheel with Other Sources

FIG. 61 describes functions available at the Navigation Wheel, when used with other sources:

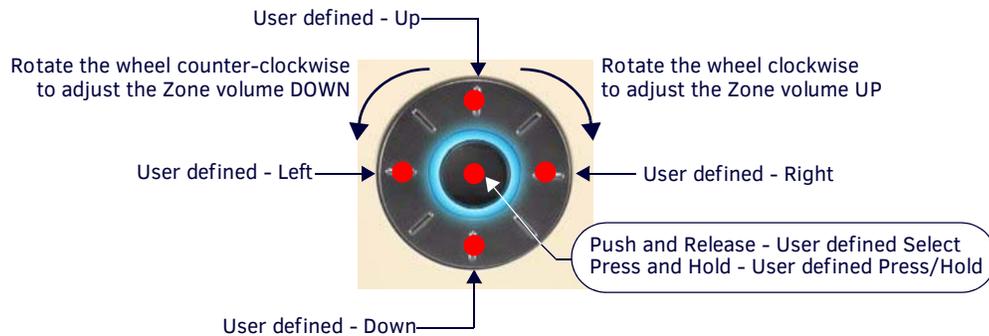


FIG. 62 Using the Navigation Wheel With Other sources

NOTE: These are suggested settings. All buttons are user-definable.

Advanced Functions - DAS-MET-6SRC

Overview

The DAS-MET-NUM Numeric keypad is used in conjunction with the DAS-MET-6SRC keypad to provide enhanced functionality, including Direct Numeric Access, Zone Grouping, Favorites, Alarm (setting), Keypad Lockout and setting and recalling Presets.

NOTE: *The SWT Metreau Keypads function essentially the same as previous versions SWT keypads.*

The standard configuration for the Audio (SWT) Keypads (DAS-MET-6SRC and DAS-MET-NUM) is described below. Note that while the functionality described here is fixed for the SWT Keypads, the AxLink Keypads can be customized, just like any other AxLink keypad.

Direct Access

On-Board Tuner - Direct Selection of a Radio Station

Using the DAS-MET-NUM keypad, enter the station identification and press **ENTER**.

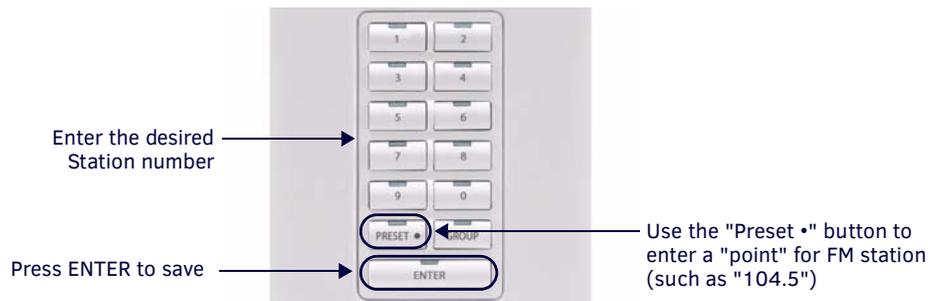


FIG. 63 Direct Selection of a Radio Station

1. Key in the **Station** identifier number using the "**PRESET •**" button to enter a "point" for FM stations.
2. Press **ENTER** to complete.

NOTE: *Strings of 3 to 4 numbers are recognized. If a "•" (point) is part of the string, then an FM station is assumed, otherwise an AM station is assumed.*

Examples:

- **1050 + ENTER** = 1050AM
- **104•5 + ENTER** = 104.5FM
- **88•8 + ENTER** = 88.5FM

CD Player - Direct Selection of a Disk and Track

To select a specific disk and track, the format is **DDD•TTT + ENTER** (DDD = Disk & TTT = Track).

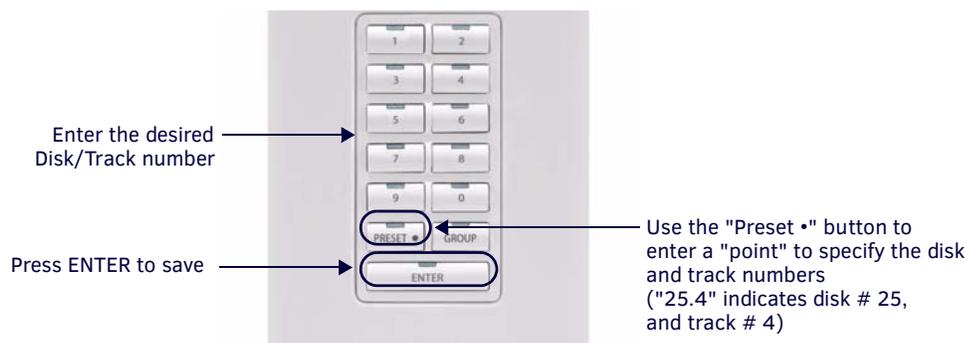


FIG. 64 Direct Selection of a Disk and Track

1. Enter the **Disk** number.
2. Press the "**PRESET •**" button.
3. Key in the **Track** number (for example, "25.4" indicates CD # 25, Track #4).
4. Press **ENTER** to complete.

Examples:

- **52•3 + ENTER** = Disk 52, Track 3
- **1•22 + ENTER** = Disk 1, Track 22
- **103•2 + ENTER** = Disk 103, Track 2

CD Player - Direct Selection of a Track on the Current Disk

To select a specific track on the current disk, enter **TTT + ENTER** (TTT=Track).

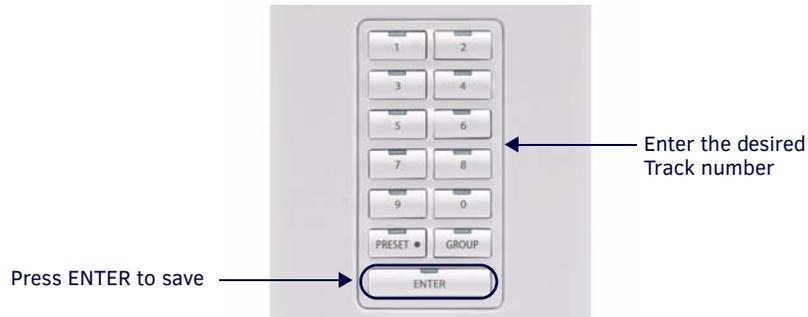


FIG. 65 Direct Selection of a Track On the Current Disk

To change the track while listening to a disk:

1. Key in the **Track** number.
2. Press **Enter** to complete.

Examples:

- **3 + ENTER** = current disk, Track 3
- **19 + ENTER** = current disk, Track 19

Cable and Satellite - Direct Selection of a Channel

To select a channel on a Cable or Satellite receiver, the format is **CCC + ENTER** (CCC=Channel #).

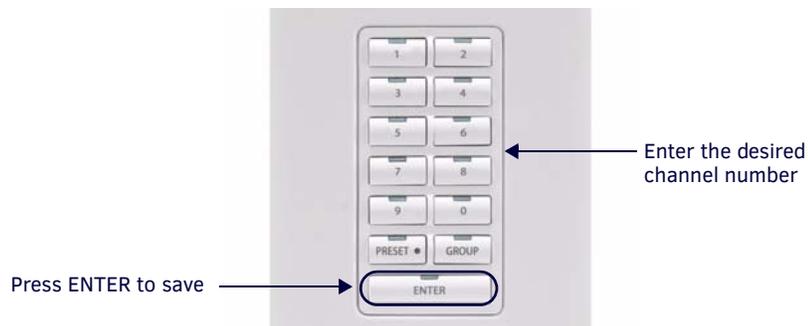


FIG. 66 Direct Selection of a Cable or Satellite Channel

NOTE: This information also applies to selecting a Digital Cable Music (DCM) Channel.

To change the Cable or Satellite (or Digital Cable Music) channel:

1. Key in the Channel number.
2. Press **ENTER** to complete.

NOTE: Strings of 2 to 4 numbers are recognized.

Examples:

- **202 + ENTER** = Channel 202 CNN DTV
- **501 + ENTER** = Channel 501 HBO DTV

Working with Presets

The DAS-MET-NUM can be used to store 10 presets for each source. Any Source that utilizes Direct Access can have presets programmed (including Matrix on-board AM/FM Tuners, External Tuners, Satellite Receivers, CD Players/Changers, DVD Players/Changers, Audio Servers and Satellite Radio).

NOTE: Presets are Source-specific but not Room-specific.

Creating a Preset

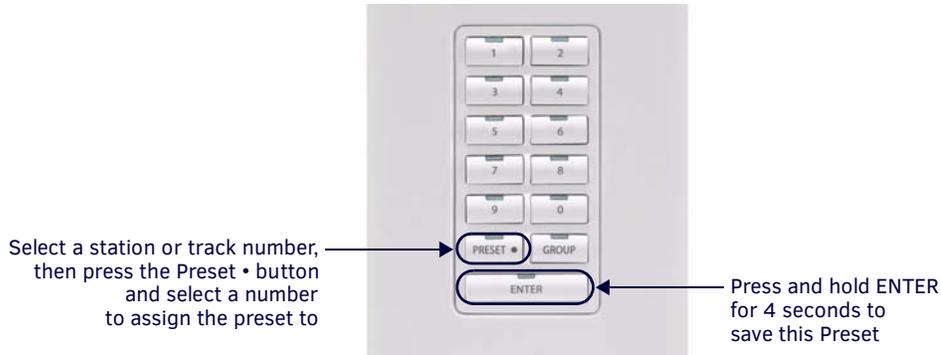


FIG. 67 Creating A Preset

NOTE: Each Source can have up to ten Presets assigned to it.

1. Select a Source (CD or Tuner).
2. Select the desired entry (Station or Track number).
3. Press **ENTER**
4. Press the **PRESET •** button.
5. Enter a number for this Preset (1-10).
6. Press and hold **ENTER** for four seconds to complete.

Example:

To set station "104.5" as "Preset 3":

- a. Select a Tuner as the Source.
- b. Key in "104.5" (to tune to the desired station).
- c. Press **ENTER**.
- d. Press **PRESET •**.
- e. Press **3**.
- f. Press and hold **ENTER** for four seconds.

Recalling a Preset

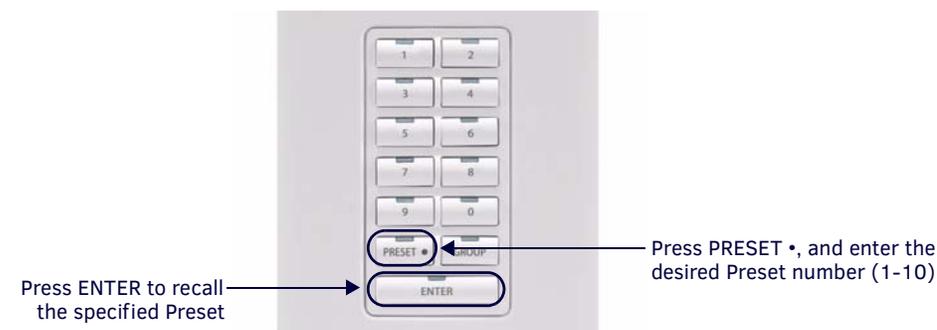


FIG. 68 Recalling A Preset

1. Select a Source.
2. Press **PRESET •** and enter the desired Preset number (1-10).
3. Press **ENTER** to recall the specified Preset.

Examples:

- **PRESET • + 5 + ENTER** = Recalls Preset #5
- **PRESET • + 1 + ENTER** = Recalls Preset #1
- **PRESET • + 4 + ENTER** = Recalls Preset #4

Clearing All Presets

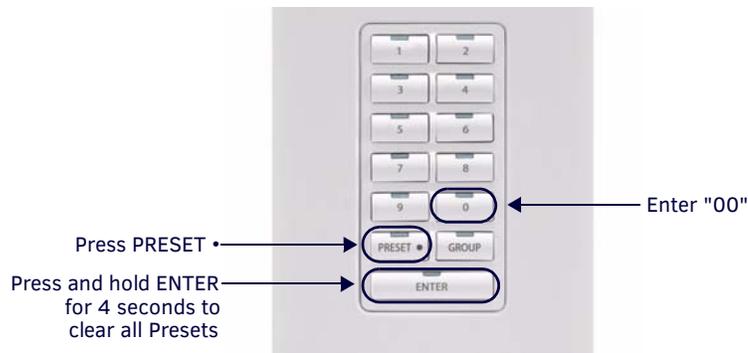


FIG. 69 Clearing All Presets

1. Select a Source.
2. Press **PRESET •**.
3. Enter "**00**".
4. Press and hold **ENTER** for four seconds.

Example:

Press **PRESET •** + **00** + press & hold **ENTER** = All presets will be cleared.

Working with Favorites

One *Favorite* can be programmed via the numeric keypad for each source in each zone. Favorites might include your favorite station, channel, or CD.

If a Favorite is set for a specific source in a specific zone, when that source is turned on (after System has been Off), the favorite will begin playing in that zone.

NOTE: *Favorites can only be set for Sources that utilize Direct Access functionality.*

Creating a Favorite for a Specific Source

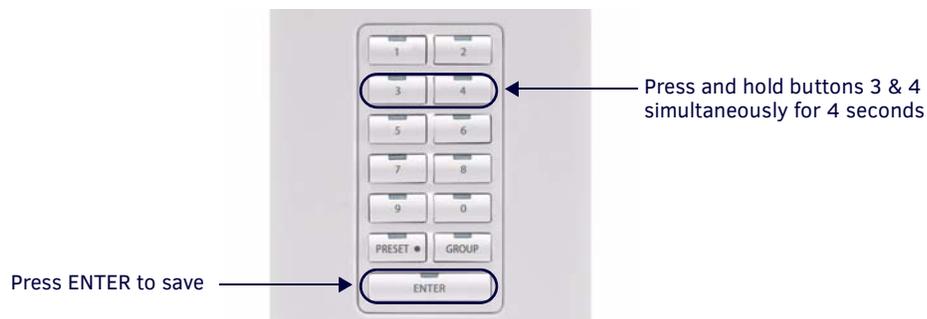


FIG. 70 Creating a Favorite for a Specific Source

1. Select a Source (CD or Tuner).
2. Tune or select the desired entry as the favorite for the selected Source.
3. Press and hold buttons **3 and 4** simultaneously for four seconds to set the selected Favorite for this Source (LED's will turn On).
4. Press **ENTER** to complete (LED's will turn Off).

Examples:

- **Tuner - 104.5 ENTER + 3 and 4 + ENTER** = 104.5FM is saved as the Favorite.
- **CD - 2.4 ENTER + 3 and 4 + ENTER** = Disk 2/Track 4 is saved as the Favorite.

Clearing Favorites for All Sources in a Specific Zone

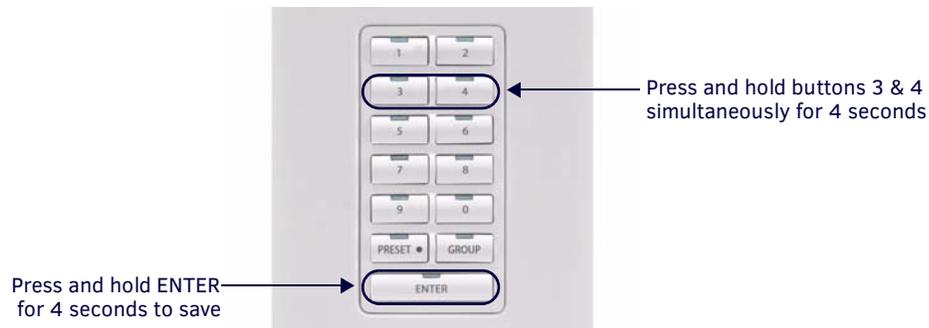


FIG. 71 Clearing Favorites For All Sources in a Specific Zone

1. Select a Source (CD or Tuner).
2. Simultaneously press and hold buttons **3** and **4** to enter *Favorites* mode for this Source (LED's will turn On).
3. Key in "00".
4. Press and hold **ENTER** to complete.

Working with Zone Grouping

In *Group Mode*, zones can be "grouped" together and controlled as a single zone. This feature is specifically designed to accommodate a situation where it is desirable to link a combination of rooms (zones) to a common source. For example when hosting a party and you wish to have the common areas all linked to the same audio source. When initially creating a zone group, all members of the group will have the volume set to the same level. The volume can then be adjusted on an individual zone basis, by using the Navigation Wheel (on the DAS-MET-6SRC keypad) in each zone. Group Volume may be adjusted at any time.

- To enter Group Mode, press the **Group** button (see FIG. 72).
- Group Mode is indicated by all Source LED's turned On.

NOTE: *Group Mode* can also be accessed by pressing and holding buttons 1 and 2 for four seconds (as is the case with earlier versions of Matrix keypads).

Adding a Zone to a Group

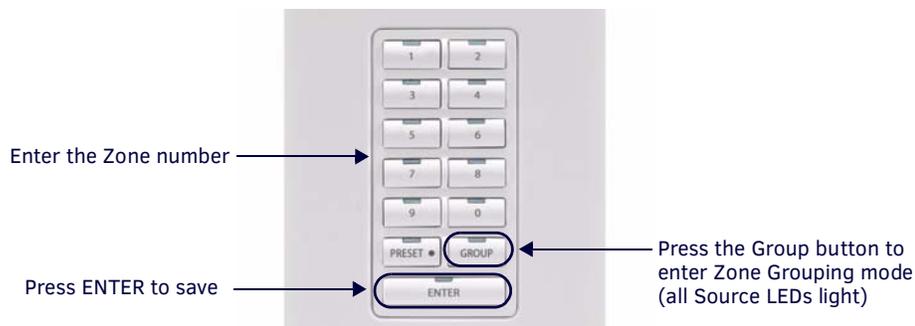


FIG. 72 Adding a Zone to a Group

1. Press the **Group** button to enter *Group Mode* (all Source LED's turn On).
2. Enter the **Zone number** to add to the group.
3. Press **ENTER** to complete (Source LED's turn Off).

Example (from Keypad in Zone 1):

- Press **Group + 2 + ENTER** = Zone Grouping now includes Zone 1 & 2
- Press **Group + 4 + ENTER** = Zone Grouping now includes Zone 1, 2 & 4

NOTE: *The Zone from which zone grouping is being administered, is assumed to be the first Zone in the Group. It should, therefore, not be added to the Zone Grouping.*

Grouping All Zones

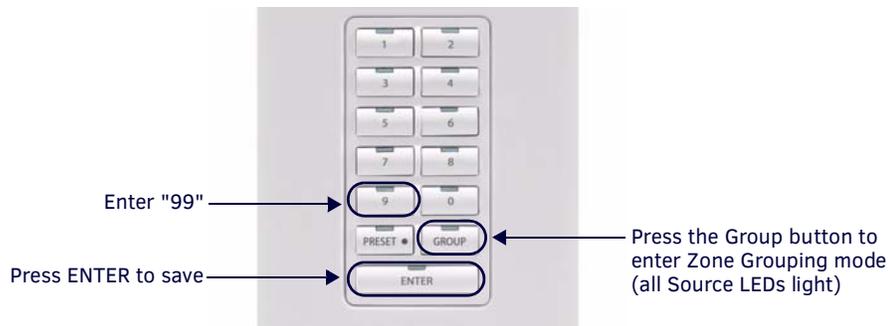


FIG. 73 Adding A Zone To Group

1. Press the **Group** button to enter *Group Mode* (all Source LED's turn On).
2. Enter **"99"**.
3. Press **ENTER** to complete.

Un-Grouping All Zones

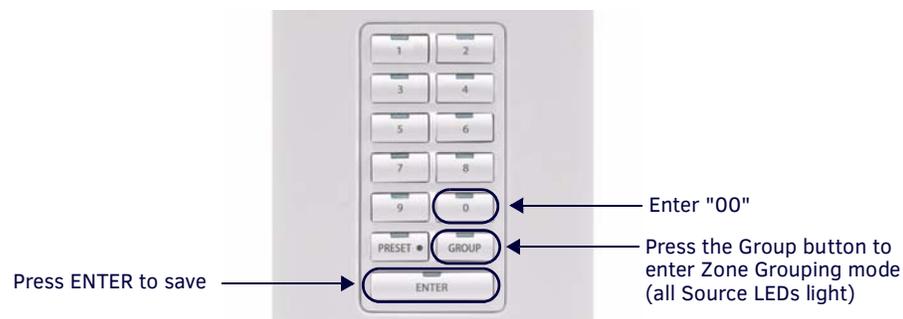


FIG. 74 Ungrouping All Zones

1. Press the **Group** button to enter *Group Mode* (all Source LED's turn On).
2. Enter **"00"**.
3. Press **ENTER** to complete.

Grouping Volume Control

When initially creating a zone grouping, all members of the group will have the volume set to the same level. The volume can then be adjusted on an individual zone basis, by using the Navigation Wheel (on the DAS-MET-6SRC keypad) in each zone. Adjusting the volume level for the entire Group can be made at any time, as described below:

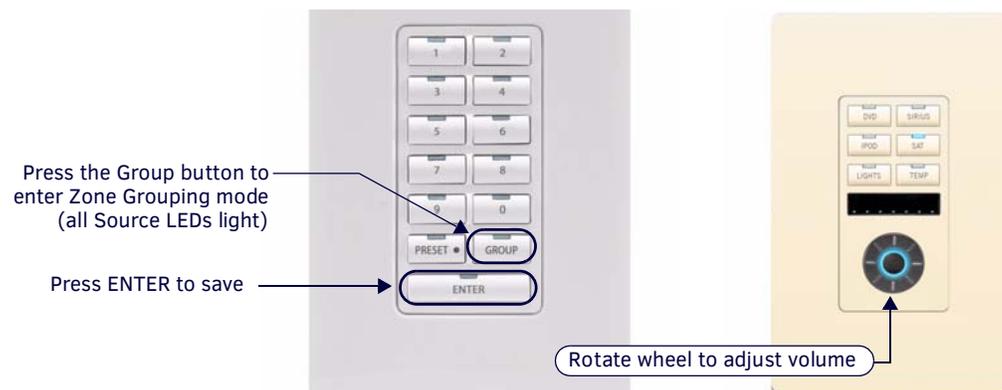


FIG. 75 Grouping Volume Control

1. Press the **Group** button to enter *Group Mode* (all Source LED's turn On).
2. Adjust Volume using the Navigation Wheel (on the DAS-MET-6SRC keypad).

NOTE: All Zones will have the volume incremented by the adjustment being made.

3. Press **ENTER** to complete.

NOTE: To bring all Zones to the same volume level (after individual Zone adjustments have been made), enter Zone Grouping mode (Buttons 1&2) and decrease the volume to 0db, then increase the volume to desired level.

Working with Alarms

To use the Alarm feature, a System Time must first be entered on the Main Controller, via the Front LCD.

To set an alarm from each Keypad, select a Source, adjust the volume, and set the alarm time (using 24HR clock, as described below).

When the alarm time is reached, the Source selected will turn On, and the volume will ramp up to the set volume and begin playing. At this point the source will behave normally.

NOTE: *If a Favorite has been set, the Favorite will begin playing. Otherwise, the last station/CD will begin playing.*

Setting the System Clock on the Tango Audio Controller

From the LCD on the front panel of the Tango Audio Controller:

1. Select **CLOCK**
2. Select **Set Time** to display the following screen (FIG. 76):

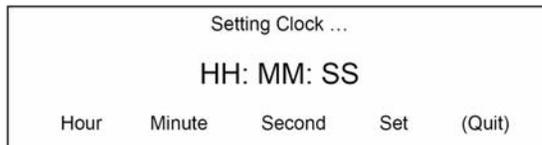


FIG. 76 Setting the System Clock on the Tango Audio Controller

3. Press **Hour** to increment the HH (hours) from 1 through 24.
4. Press **Minute** to increment the MM (minutes) from 01 through 60.
5. Press **Second** to increment the SS (seconds) from 01 through 60.
6. Press **Set** to set the clock to the time displayed.

Refer to the *Tango Audio Controller Operation/Reference Guide* for details.

Setting an Alarm in a Zone

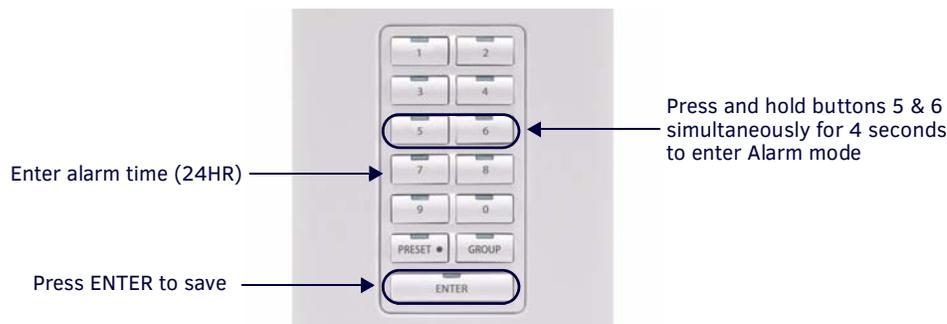


FIG. 77 Setting Alarm In a Zone

1. Select Source and adjust the Volume to desired level.
2. Press and hold buttons **5 and 6** simultaneously for four seconds (Source LED's turn ON).
3. Enter the **24HR Time** for alarm (use **PRESET •** to separate Hours and Minutes).
4. Press **ENTER** to complete (source LED's turn OFF).

Example:

- Press **5 and 6 + 6 • 30 + ENTER** = alarm set for 6:30 AM
- Press **5 and 6 + 18 • 30 + ENTER** = alarm set for 6:30 PM

Clearing the Alarm for a Specific Zone

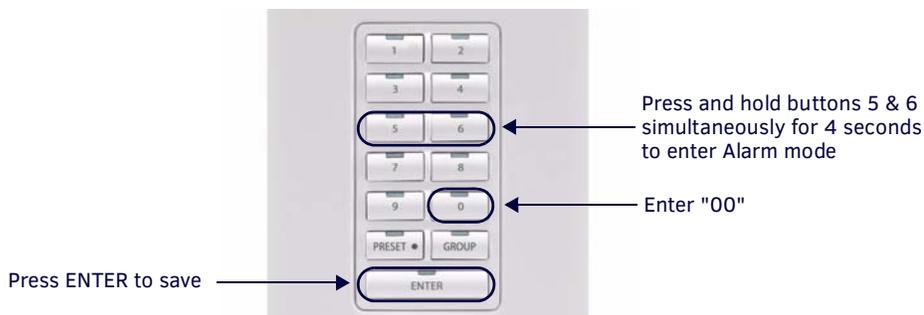


FIG. 78 Clearing the Alarm For a Specific Zone

1. Press and hold buttons **5 and 6** simultaneously for four seconds (Source LED's turn ON).
2. Enter "**00**".
3. Press **ENTER** to complete (source LED's turn OFF).

Clearing All Alarms for All Zones

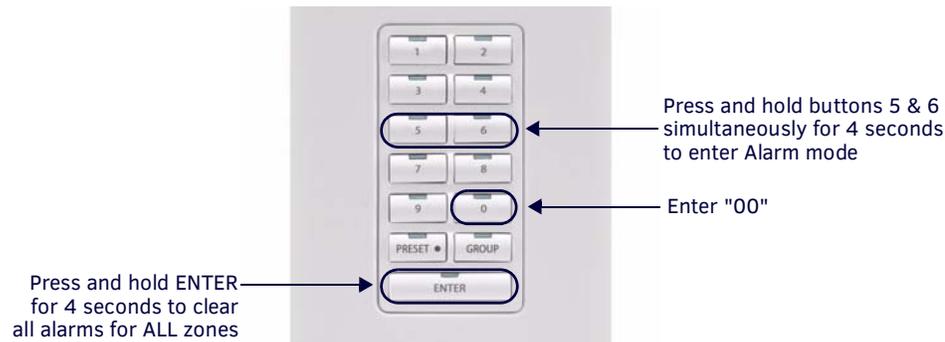


FIG. 79 Clearing All Alarms For All Zones

1. Press and hold buttons **5 and 6** simultaneously for four seconds.
2. Key in "**00**".
3. Press and hold **ENTER** for four seconds to complete.

Keypad Lockout

Keypad Lockout functionality allows the user to lock any keypad from any other keypad in the system.

For example, if the user wants to lock the keypad in their rooms, the user can access the lockout feature from any keypad in the house. Once the keypads are locked the children can no longer control the system from the keypad in their rooms.

If the user wants to lockout a keypad's ability to control the system, it can be setup from any keypad in any zone that has a DAS-MET-NUM keypad installed.

Locking a Keypad

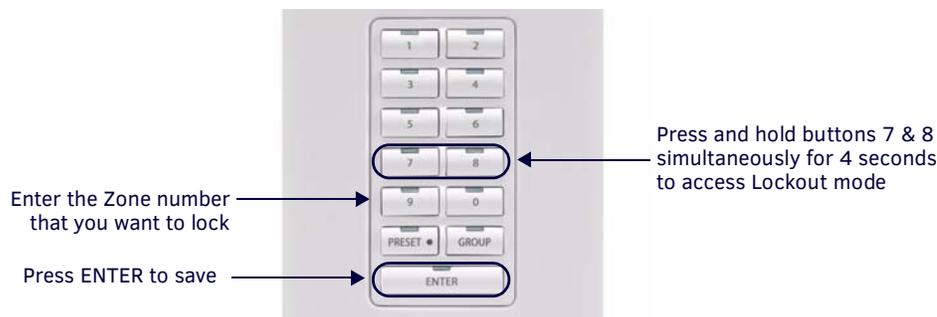


FIG. 80 Locking A Keypad

1. Press and hold buttons **7 and 8** simultaneously for four seconds (Source LED's turn On).
2. Enter the **Zone number** to Lock.
3. Press **ENTER** to complete (Source LED's turn Off).

NOTE: You may not lockout the same keypad that you have accessed to setup the Keypad Lockout feature (so that the keypad that is accessing the lockout feature cannot lockout itself).

Examples:

- Press and hold **7 and 8** (for 4 seconds) + **2 + ENTER** = keypad in zone #2 will be locked.
- Press and hold **7 and 8** (for 4 seconds) + **4 + ENTER** = keypad in zones #2 & #4 will be locked.

Unlocking a Keypad

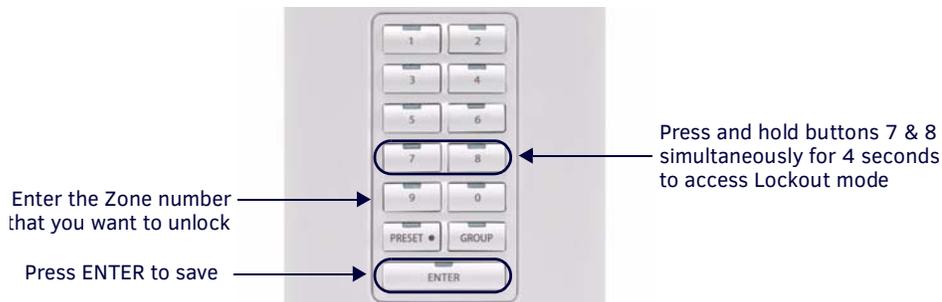


FIG. 81 Unlocking A Keypad

NOTE: *Unlocking a keypad must be done at the keypad that originally locked the keypad.*

1. Press and hold buttons **7 and 8** simultaneously for four seconds (Source LED's turn On).
2. Enter the **Zone number** to unlock.
3. Press and hold **ENTER** for four seconds to complete (Source LED's turn Off).

Examples:

- Press and hold **7 and 8** (for 4 seconds) + **2** + **ENTER** = keypad in zone #2 will be Locked.
- Press and hold **7 and 8** (for 4 seconds) + **4** + **ENTER** = keypad in zones #2 and #4 will be Locked.
- Press and hold **7 and 8** (for 4 seconds) + **2** + press and hold **ENTER** for four seconds =
 - Keypad in zone #2 will be Unlocked.
 - Keypad in zone #4 remains Locked.

Unlocking All Keypads

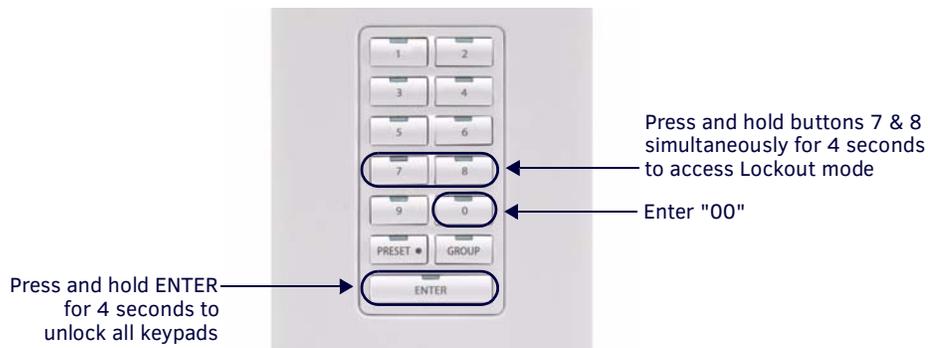


FIG. 82 Unlocking All Keypads

1. Simultaneously press buttons **7 and 8** (Source LED's turn On).
2. Key in "**00**".
3. Press and hold **ENTER** for four seconds to complete (Source LED's turn Off).

Examples:

- Press **7 and 8** + **2** + **ENTER** = keypad in zone #2 will be Locked.
- Press **7 and 8** + **4** + **ENTER** = keypad in zones #2 & #4 will be Locked.
- Press **7 and 8** + **00** + press & hold **ENTER** for four seconds = Keypads in Zones #2 and #4 will both be Unlocked.

Using the NetLinx Module

Overview

The Tango system can be controlled via the Touch Pages provided with the NetLinx Module, as described in this section. Refer to the NetLinx module documentation for details on incorporating the module into your source code and loading it onto the NetLinx Master.

Main Page (Initial View)

The initial view of the touch panel pages is the Main Page, featuring the Menu Bar along the left edge, as shown in FIG. 83.

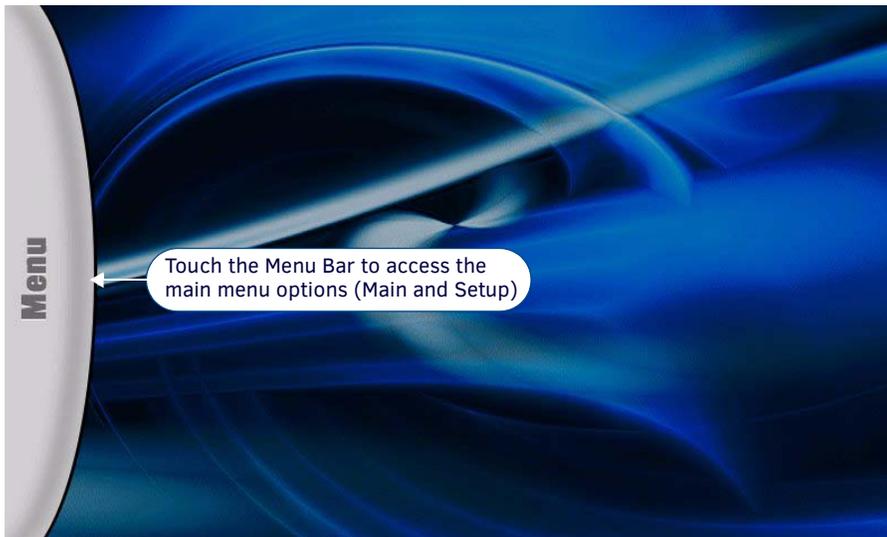


FIG. 83 Main Page (Initial View)

Press the Menu Bar to access the two primary menu options (**Main** and **Setup**), as shown in FIG. 84:

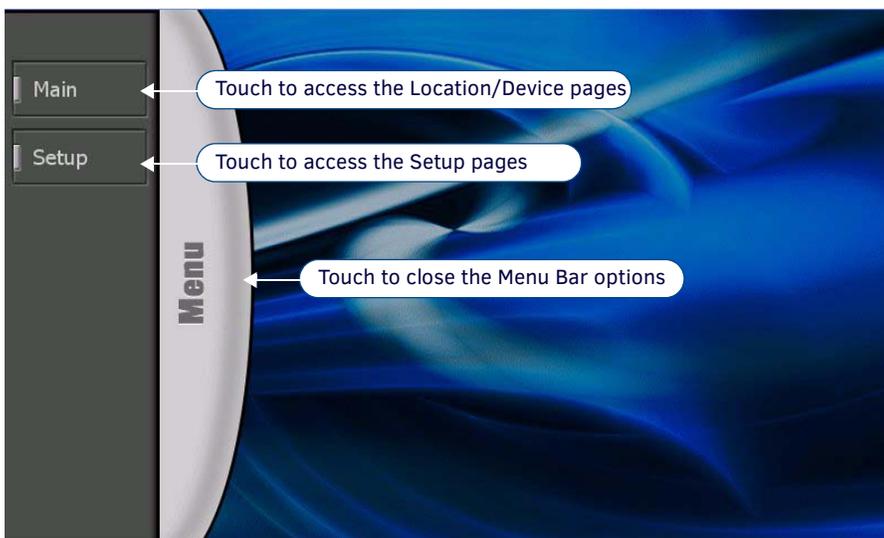


FIG. 84 Main Page - Menu Bar options

Main Pages

Press **Main** in the Menu Bar to access the **Locations** page (FIG. 85). The options on this page allow you select Locations (*Zones*) to specify a Source Device to use with each Location, and configure audio settings for each Location.



FIG. 85 Locations Page

Location/Device Pages

Press one of the **Locations** buttons to invoke the Location/Device page for the selected Zone. This page provides playback controls for the device currently associated with the selected Location (Zone). As an example, FIG. 86 indicates that the "Dining Room" is currently using a DVD Player as it's Source Device:



FIG. 86 Example Location/Device Page

- The currently selected Location is indicated in the upper-left corner of the page (in this case, "DVD").
- The Device currently associated with this location is indicated in the upper-right corner (in this case, "Dining Room").

NOTE: The playback controls presented on this page will vary, depending on the device type associated with the Location.

The **Zone Options** and **Change Source** buttons provide additional options:

- Press **Zone Options** to configure audio settings for this Location (Zone).
- Press **Change Source** to select a different source Device for this Location.

Zone Options

From a Location / Device page, press **Zone Options** to invoke the *Zone Options* popup shown in FIG. 87.

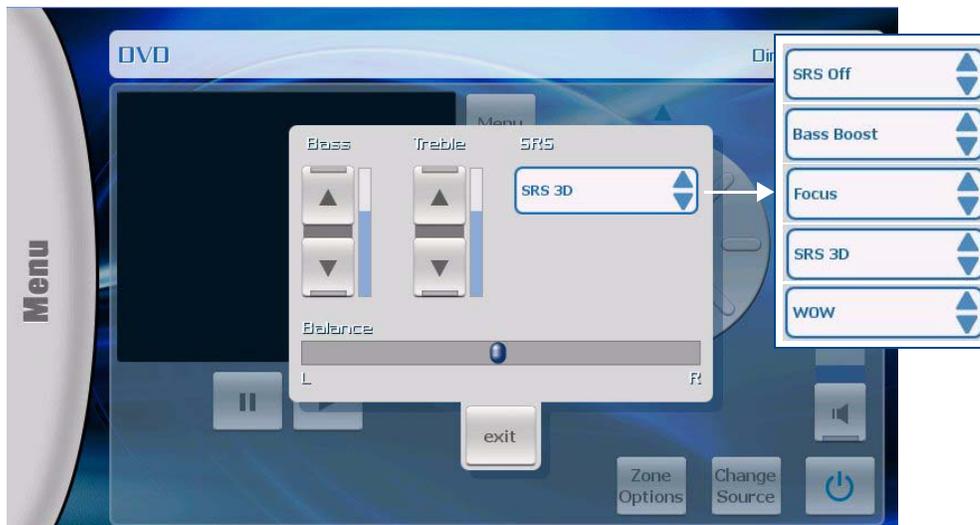


FIG. 87 Zone Options popup

- Use the Up/Down buttons to adjust **Bass** and **Treble** for this Location. The current levels are indicated in the vertical status bars adjacent to each set of Up/Down buttons (default = *flat*).
- Touch-and-drag the slider to adjust the **Balance** setting (default = *centered*).
- Touch the SRS menu to select an **SRS mode** (default = *SRS Off*).
- When finished, press **exit** to apply changes and close the *Zone Options* popup.

Change Source

From a Location / Device page, press **Change Source** to invoke the *Sources* page for this Location, as shown in FIG. 88.



FIG. 88 Sources Page (for the "Dining Room" Location)

This page allows you to change the source device to be used for the selected Location. Note that the currently selected Location is indicated on the right side of this page.

To change sources for this Location, simply press the desired Source button. This action invokes the Device Control Page for the selected Device type. Use the options in the Device Control page to control playback.

Device Control Pages

There is separate Device Control page for each device type, with options specific to each device type, as described in the following sub-sections.

Internal Tuner

Touch **Internal Tuner** to invoke the Device Control page shown in FIG. 89.

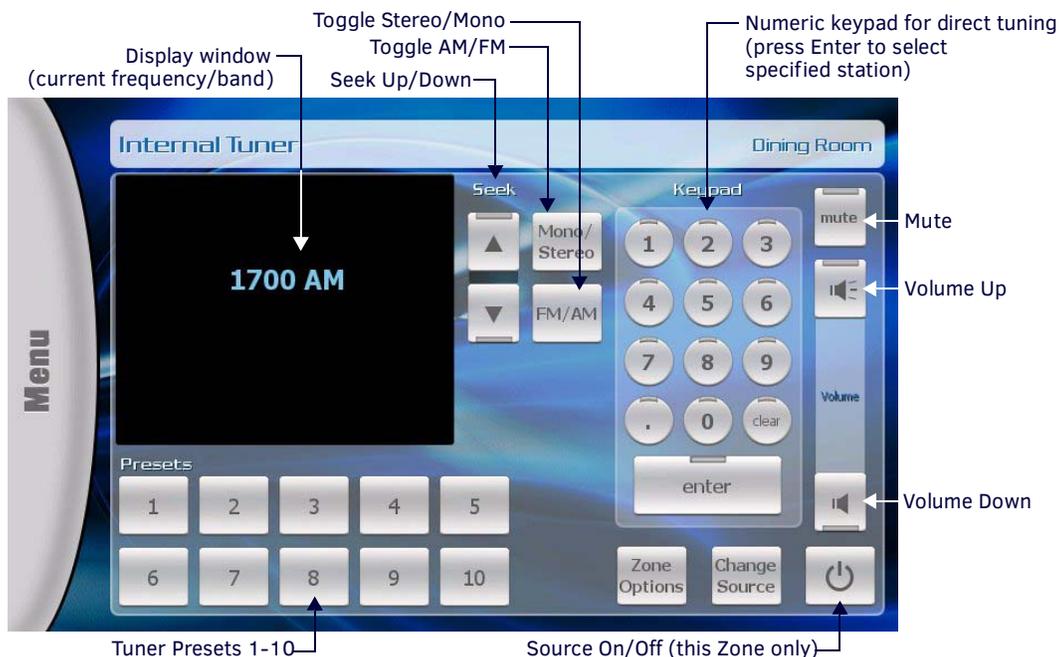


FIG. 89 Device Control page - Internal Tuner

The following table lists the option on this page.

Device Control Page - Internal Tuner	
Display Window:	Displays the current frequency and band (AM/FM).
Seek Up/Down:	Press the Up and Down arrow buttons to seek up/down on the selected band.
Mono/Stereo:	Press to toggle mono/stereo (default = Stereo).
FM/AM:	Press to toggle band (FM/AM)
Keypad:	Use the keypad button for direct tuning. Press enter to tune to the specified frequency. Note that the tuner automatically detects the band (AM/FM) based on the number entered.
Presets:	Use the Presets buttons to recall up to ten station presets.
Zone Options:	Press to access the Zone Options popup for configuring audio settings for the selected Location (Zone). Note that the currently selected Location is indicated in the upper-right corner of the page (see the <i>Zone Options</i> section on page 79).
Change Source:	Press to access the Sources page for this location. Note that the currently selected Source is indicated in the upper-left corner of the page (see the <i>Change Source</i> section on page 79).
Mute:	Press to mute the audio.
Volume Up/Down:	Press the Up and Down arrow buttons to adjust the volume up/down.
Power On/Off:	Press to toggle the Source device Off/On, in this Zone only. The source device will continue playback in other Zones.

Internal Sirius

Touch **Internal Sirius** to invoke the Device Control page shown in FIG. 90.

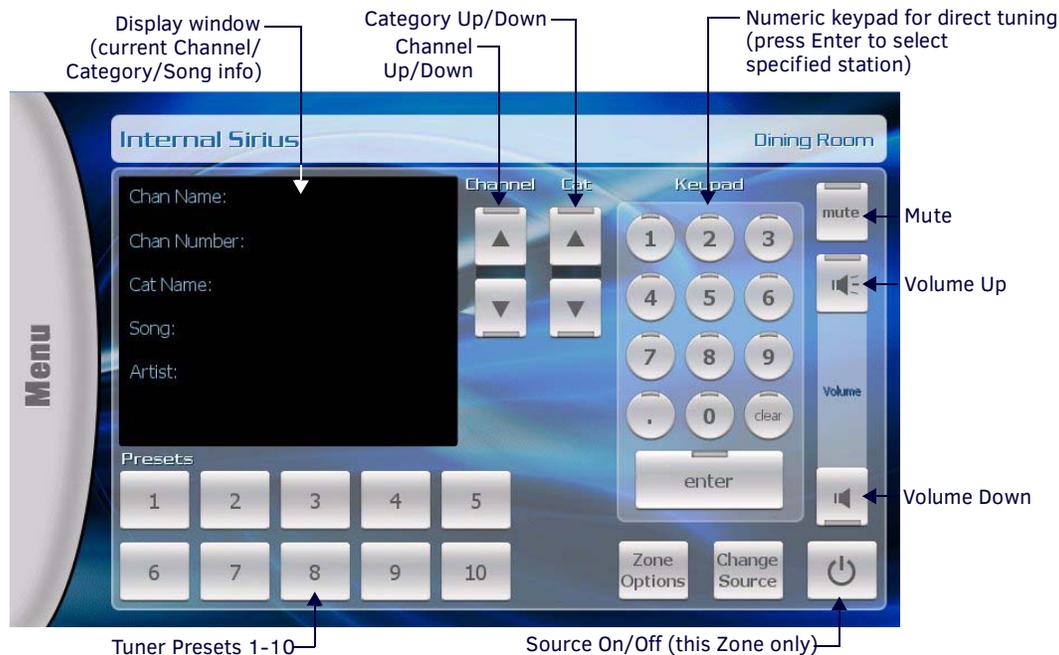


FIG. 90 Device Control page - Internal Sirius

The following table lists the option on this page.

Device Control Page - Internal Sirius	
Display Window:	Displays the current Channel, Category and Song info (as provided by Sirius).
Channel Up/Down:	Press the Up and Down arrow buttons to browse up/down in the selected Category.
Cat:	Press the Up and Down arrow buttons to browse up/down through the Categories list.
Keypad:	Use the keypad button for direct tuning. Press enter to tune to the specified channel.
Presets:	Use the Presets buttons to recall up to ten station presets.
Zone Options:	Press to access the Zone Options popup for configuring audio settings for the selected Location (Zone). Note that the currently selected Location is indicated in the upper-right corner of the page (see the <i>Zone Options</i> section on page 79).
Change Source:	Press to access the Sources page for this location. Note that the currently selected Source is indicated in the upper-left corner of the page (see the <i>Change Source</i> section on page 79).
Mute:	Press to mute the audio.
Volume Up/Down:	Press the Up and Down arrow buttons to adjust the volume up/down.
Power On/Off:	Press to toggle the Source device Off/On, in this Zone only. The source device will continue playback in other Zones.

DVD

Touch **DVD** to invoke the Device Control page shown in FIG. 91.

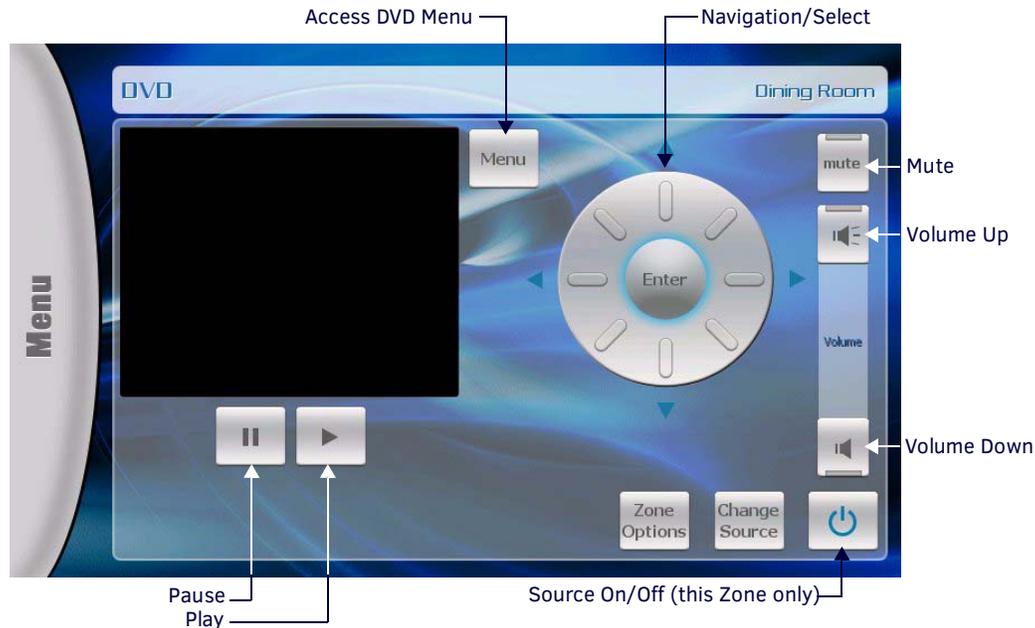


FIG. 91 Device Control page - DVD

The following table lists the option on this page.

Device Control Page - DVD	
Play/Pause:	Press to control DVD playback.
Menu:	Press to access the DVD's menu screen.
Navigation/Select:	Use the directional buttons (Up, Down, Left and Right) to navigate DVD menus, and press Enter to select.
Zone Options:	Press to access the Zone Options popup for configuring audio settings for the selected Location (Zone). Note that the currently selected Location is indicated in the upper-right corner of the page (see the <i>Zone Options</i> section on page 79).
Change Source:	Press to access the Sources page for this location. Note that the currently selected Source is indicated in the upper-left corner of the page (see the <i>Change Source</i> section on page 79).
Mute:	Press to mute the audio.
Volume Up/Down:	Press the Up and Down arrow buttons to adjust the volume up/down.
Power On/Off:	Press to toggle the Source device Off/On, in this Zone only. The source device will continue playback in other Zones.

CD

Touch **CD** to invoke the Device Control page shown in FIG. 92.

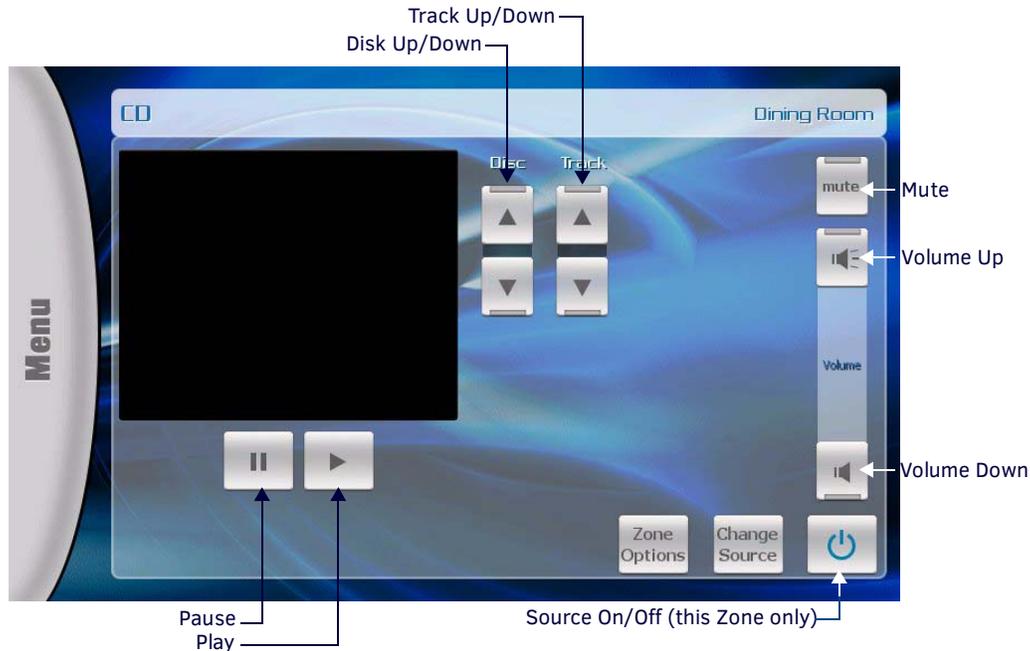


FIG. 92 Device Control page - CD

The following table lists the option on this page.

Device Control Page - CD	
Play/Pause:	Press to control CD playback.
Disk:	Press the Up button to select the next CD, press the Down button to select the previous CD.
Track:	Press the Up button to select the next track, press the Down button to select the previous track.
Zone Options:	Press to access the Zone Options popup for configuring audio settings for the selected Location (Zone). Note that the currently selected Location is indicated in the upper-right corner of the page (see the <i>Zone Options</i> section on page 79).
Change Source:	Press to access the Sources page for this location. Note that the currently selected Source is indicated in the upper-left corner of the page (see the <i>Change Source</i> section on page 79).
Mute:	Press to mute the audio.
Volume Up/Down:	Press the Up and Down arrow buttons to adjust the volume up/down.
Power On/Off:	Press to toggle the Source device Off/On, in this Zone only. The source device will continue playback in other Zones.

Audio Server

Touch **Audio Server** to invoke the Device Control page shown in FIG. 93.

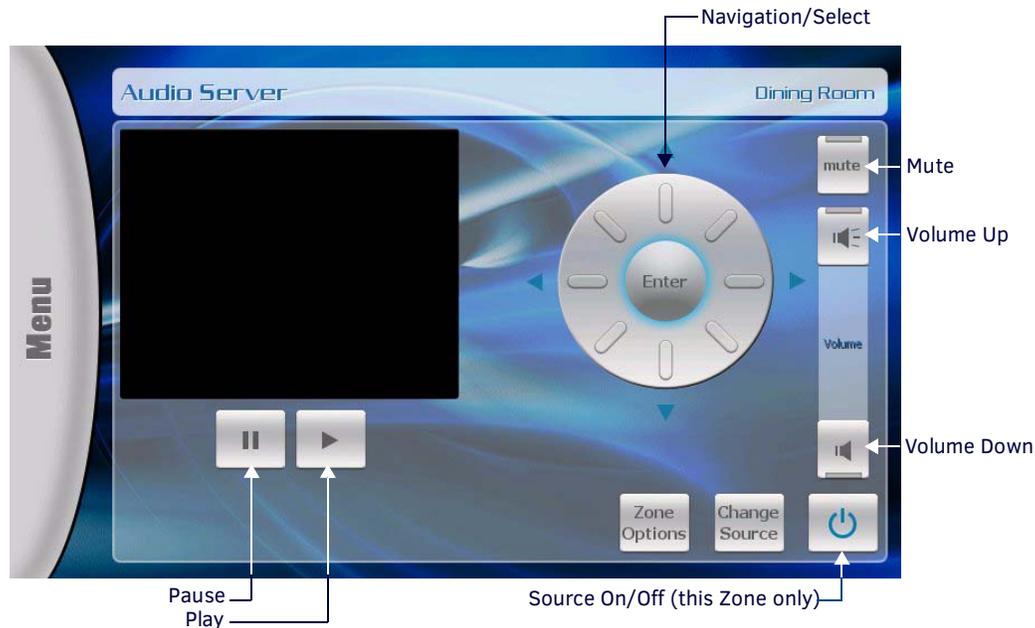


FIG. 93 Device Control page - Audio Server

The following table lists the option on this page.

Device Control Page - Audio Server	
Play/Pause:	Press to control CD playback.
Navigation/Select:	Use the directional buttons (Up, Down, Left and Right) to navigate DVD menus, and press Enter to select.
Zone Options:	Press to access the Zone Options popup for configuring audio settings for the selected Location (Zone). Note that the currently selected Location is indicated in the upper-right corner of the page (see the <i>Zone Options</i> section on page 79).
Change Source:	Press to access the Sources page for this location. Note that the currently selected Source is indicated in the upper-left corner of the page (see the <i>Change Source</i> section on page 79).
Mute:	Press to mute the audio.
Volume Up/Down:	Press the Up and Down arrow buttons to adjust the volume up/down.
Power On/Off:	Press to toggle the Source device Off/On, in this Zone only. The source device will continue playback in other Zones.

Satellite

Touch **Satellite** to invoke the Device Control page shown in FIG. 94.

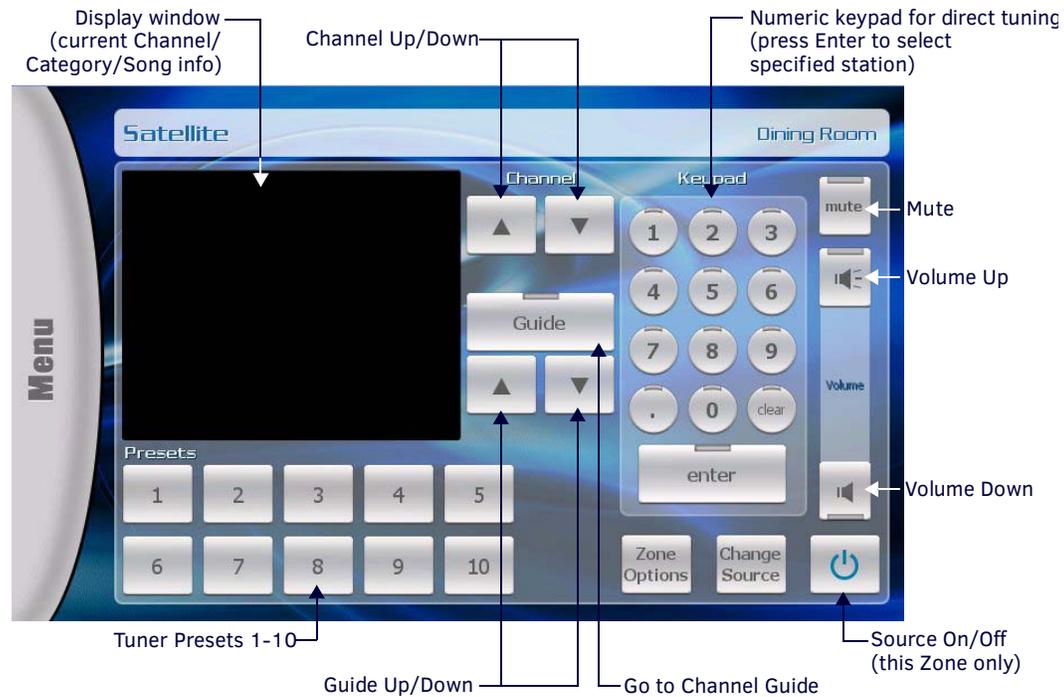


FIG. 94 Device Control page - Satellite

The following table lists the option on this page.

Device Control Page - Satellite	
Display Window:	Displays the current Channel, Category and Song info.
Channel Up/Down:	Press the Up and Down arrow buttons to browse up/down in the selected Category.
Guide Up/Down:	Press the Up and Down arrow buttons to browse up/down through the Guide.
Keypad:	Use the keypad button for direct tuning. Press enter to tune to the specified channel.
Presets:	Use the Presets buttons to recall up to ten station presets.
Zone Options:	Press to access the Zone Options popup for configuring audio settings for the selected Location (Zone). Note that the currently selected Location is indicated in the upper-right corner of the page (see the <i>Zone Options</i> section on page 79).
Change Source:	Press to access the Sources page for this location. Note that the currently selected Source is indicated in the upper-left corner of the page (see the <i>Change Source</i> section on page 79).
Mute:	Press to mute the audio.
Volume Up/Down:	Press the Up and Down arrow buttons to adjust the volume up/down.
Power On/Off:	Press to toggle the Source device Off/On, in this Zone only. The source device will continue playback in other Zones.

External Tuner

Touch **External Tuner** to invoke the Device Control page shown in FIG. 95.

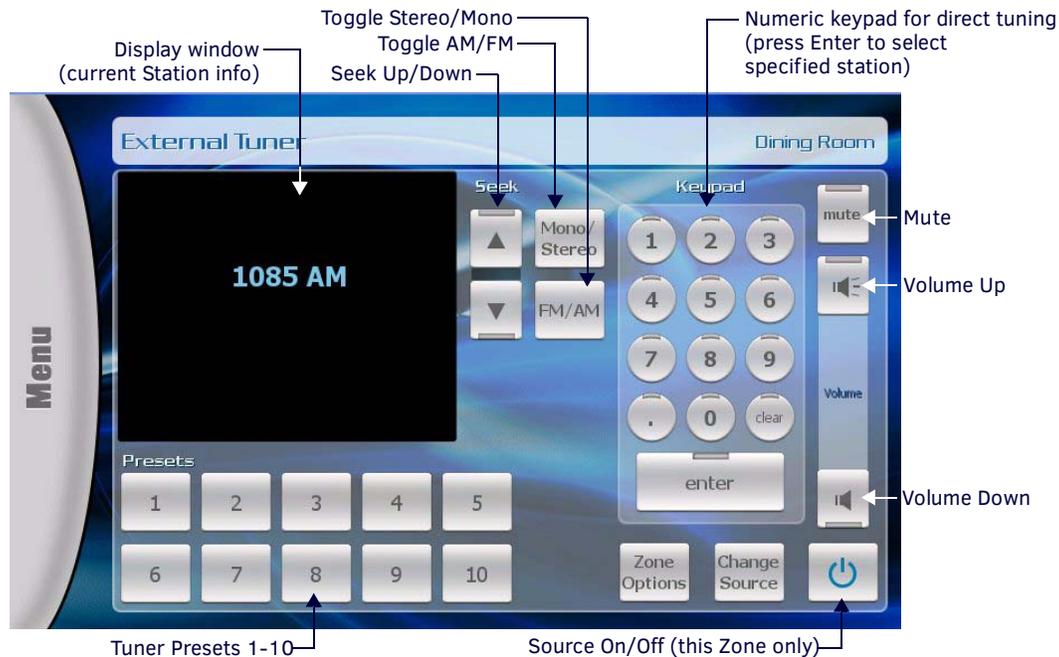


FIG. 95 Device Control page - External Tuner

The following table lists the option on this page.

Device Control Page - External Tuner	
Display Window:	Displays the current Channel, Category and Song info.
Seek Up/Down:	Press the Up and Down arrow buttons to seek up/down on the selected band.
Mono/Stereo:	Press to toggle mono/stereo (default = Stereo).
FM/AM:	Press to toggle band (FM/AM)
Keypad:	Use the keypad button for direct tuning. Press enter to tune to the specified frequency. Note that the tuner automatically detects the band (AM/FM) based on the number entered.
Presets:	Use the Presets buttons to recall up to ten station presets.
Zone Options:	Press to access the Zone Options popup for configuring audio settings for the selected Location (Zone). Note that the currently selected Location is indicated in the upper-right corner of the page (see the <i>Zone Options</i> section on page 79).
Change Source:	Press to access the Sources page for this location. Note that the currently selected Source is indicated in the upper-left corner of the page (see the <i>Change Source</i> section on page 79).
Mute:	Press to mute the audio.
Volume Up/Down:	Press the Up and Down arrow buttons to adjust the volume up/down.
Power On/Off:	Press to toggle the Source device Off/On, in this Zone only. The source device will continue playback in other Zones.

Other

Touch **Other** to invoke the Device Control page shown in FIG. 95.

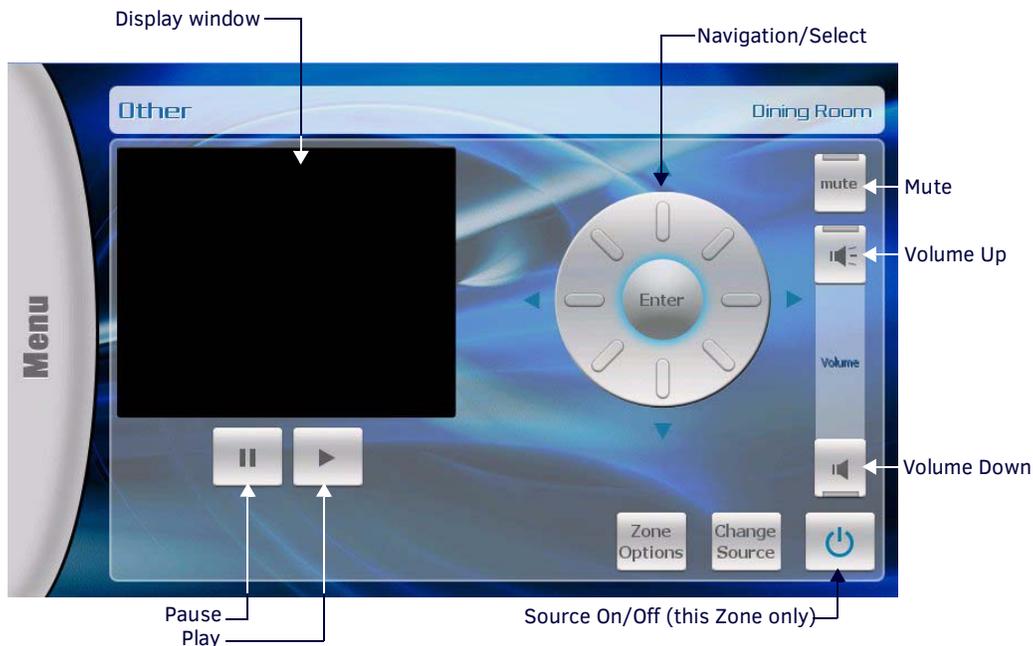


FIG. 96 Device Control page - Other

The following table lists the option on this page.

Device Control Page - Other	
Display Window:	Displays information on the current selection (display depends on the device type).
Play/Pause:	Press to control playback.
Navigation/Select:	Use the directional buttons (Up, Down, Left and Right) to navigate device menus, and press Enter to select.
Zone Options:	Press to access the Zone Options popup for configuring audio settings for the selected Location (Zone). Note that the currently selected Location is indicated in the upper-right corner of the page (see the <i>Zone Options</i> section on page 79).
Change Source:	Press to access the Sources page for this location. Note that the currently selected Source is indicated in the upper-left corner of the page (see the <i>Change Source</i> section on page 79).
Mute:	Press to mute the audio.
Volume Up/Down:	Press the Up and Down arrow buttons to adjust the volume up/down.
Power On/Off:	Press to toggle the Source device Off/On, in this Zone only. The source device will continue playback in other Zones.

Setup Pages

Press **Setup** in the Menu Bar to access the main **Setup** page. The options on this page allow you to access *Zones* and *Alarms*. The initial view of the Setup pages is the *Zones* page (FIG. 97)



FIG. 97 Setup page (initial view - Zones)

Setup - Zones

Touch any of the Zones buttons to edit the selected Zone's label, via the on-screen keyboard shown in FIG. 98.



FIG. 98 On-Screen Keyboard (editing a Zone label)

- Press **Enter** to create a carriage return
- Press **Done** to save your changes
- Press **Abort** to close the keyboard, without saving changes.

Setup - Alarms

Press **Alarm** on the main Setup page to access the *Alarms* page (FIG. 99). Use the options in this page to set alarms for one or more selected Zones. An "Alarm" can be programmed to play a specific source in any specified Zone.



FIG. 99 Setup - Alarms page

Adding an Alarm

1. Touch one of the location (Zone) buttons to select the Zone for which you want to set an alarm.
2. Set the start time for the alarm using the H (hour) and M (minute) up/down arrows. Note that the alarm clock uses a 24-hour clock time. Refer to the following table to quickly convert regular time to 24-hour clock time standards:

Regular Time	24-hour Clock (hour value)	Regular Time	24-hour Clock (hour value)
Midnight	00	Noon	12
1:00 a.m.	01	1:00 p.m.	13
2:00 a.m.	02	2:00 p.m.	14
3:00 a.m.	03	3:00 p.m.	15
4:00 a.m.	04	4:00 p.m.	16
5:00 a.m.	05	5:00 p.m.	17
6:00 a.m.	06	6:00 p.m.	18
7:00 a.m.	07	7:00 p.m.	19
8:00 a.m.	08	8:00 p.m.	20
9:00 a.m.	09	9:00 p.m.	21
10:00 a.m.	10	10:00 p.m.	22
11:00 a.m.	11	11:00 p.m.	23

- Regular and 24-hour clock time use the same number of minutes per hour and they use minutes in exactly the same way. There is no need to convert minutes when going back and forth between the two time systems.
- The alarm clock treats midnight as the start of a new day and express it as "0000".

- Once the time has been set, the "choose source" option is enabled (FIG. 100).



FIG. 100 Setup - Alarms page with Zone and Time selected

- Touch "choose source" to specify the source device to be used as the alarm (FIG. 101).



FIG. 101 Alarms page - select a Source

NOTE: The exit button allows you to close the Sources window without selecting an Alarm Source. Once a Source is selected, the Sources window closes automatically.

- Touch the Volume Up and Down buttons on the Volume bar to set the alarm volume for the selected Source device.
- Touch "save alarm" to save your changes and return to the *Alarms* page.

Removing an Alarm

Once an alarm has been set for this Zone, the "Remove Alarm" option is enabled (FIG. 102).



FIG. 102 Alarms page - Remove Alarm

Touch **Remove Alarm** to remove the alarm for the selected Zone.

SWT Troubleshooting

Overview

This section provides troubleshooting for the SWT Metreau keypads (DAS-MET-6SRC and DAS-MET-NUM).

Symptom	Possible Causes	Section
Everything is dead	Power	Power
All keypads are dead (No lights)	Power-cabling between MRC and keypad incorrect. Keypad connections reversed.	Power Keypad cabling
Some keypads ok, some dead.	Cabling between MRC & keypad shorted. Keypad connections reversed. Defective keypad. Defective cable.	Keypad Cabling. Restart system.
Sources don't work manually or automatically	Power	Power
Sources and keypads work but no sound in zone.	Speakers not connected. Problem between keypad and speakers. Problem with speakers. Volume too low.	Keypad Cabling Source Cabling
Sources and keypads work but no sound in zone.	RCA cables from source inserted into the source outputs.	Source Cabling
Sources work manually but keypads don't control device.	Device programming incomplete. Infrared emitter lead missing. IR emitter lead connected to wrong device.	Programming. Source cabling. Restart system.
Sources power off when selected.	Program error in ON/ OFF function.	Programming
Sources don't start playing when selected.	Program error in device select function.	Programming

Power Connections

Tracking down problems that are power related are somewhat easy because the unit either powers up or it doesn't. If it does not, there are several things to check.

1. Check to make sure you are attached to a functioning live electrical circuit. If the branch circuit is dead check the breaker or there may be a light switch controlling the power to the outlet. If it's on a switched circuit try to obtain power elsewhere.
2. Ensure that both ends of each power cord are firmly seated in all of the source components.
3. If you're plugged into power strips, check them for operation as well. Be aware these often have mini-breakers on them and you should check to ensure that power is functioning in EACH outlet.
It is not uncommon for the inexpensive power strips to fail at one plug-in but not the others.
4. There is a power switch located at the rear of the Controller, check to see that it is in the ON or (1) position.
5. There is a fuse beside the power switch at the back of the Controller. Remove the fuse and inspect it to see that it is intact. If you have an ohm meter, test for continuity across the fuse (sometimes they look good, but they're really broken near one of the ends). If you are using a power bar they often have mini-breakers on them, and you should check to ensure that all is well. The fuse in the rear of the Unit is a **T8AL250v**.

Zone Connection Problems

If there is wall power and both the source components and the Controller seem to be powering up OK, but one or more of the zones are not working, there may be a problem at the individual zone or with the cabling connecting to the zone. Begin by checking each zone keypad for functionality by pressing the desired source button. The LED should light red next to the source on the KP-4e keypads or should "wake up" with a screen menu on the touch panel keypad.

Dead Zones

There is power and the source devices and the Tango Controller seem to be powering up OK, but one or more of the zones are not working.

Check each zones keypad for functionality by pressing the desired source button. The LED should light Red next to the source.

LED Does Not light

You are not getting power and command connectivity to the zone. Check other zones and select each source to determine if this is specific to the source or the room in general. If the problem is in a particular room then there may be an issue with cabling to your speakers or it may be the keypad itself. If you get similar results for a particular source in multiple zones then there may be an issue with the source equipment and you should check to see that the selected source is 'playing'. If every other zone is ok, check to make sure cables to the speakers are secure and that you have tried to increase the volume level in the zone.

Possible Causes:

- Zone connectors at Tango Controller are not secure.
- Connector at Keypad to Tango Controller is not secure.
- Wiring standard not followed. Make certain the center two wires are in the same orientation at the Tango Controller and the keypad. They may have been inadvertently reversed during the installation.
- Input and output connectors on keypad are reversed.
- Keypad not recognized by system. Restart system.

Source Connections

Problems in source cabling display some of the following characteristics.

- The source cannot be heard in any zone.
- The source doesn't seem to respond to keypad commands.

Ensure that the sources LINE OUT connections are connected to the Tango Controllers LINE IN connections for the correct device. Check to see that the IR emitter lead is securely fastened to the IR receiver on the audio source and that you have the lead plugged into the appropriate IR output jack (FIG. 103).

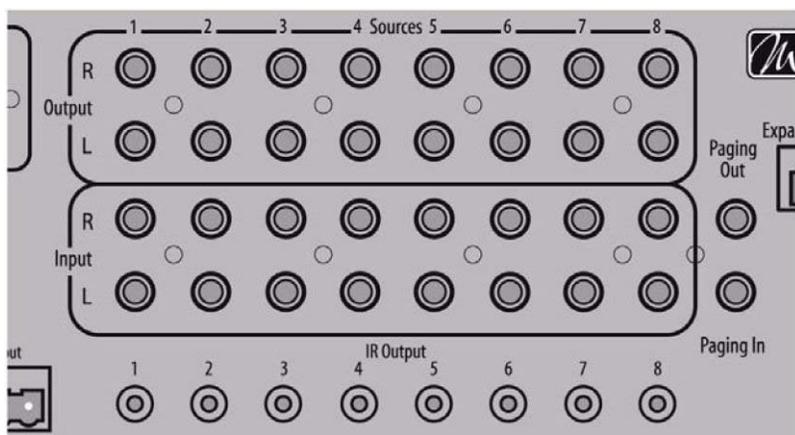


FIG. 103 Rear View – Source in/out – IR Out

When a keypad command is received and communicated to the source device, there is a LED that lights on the front of the Tango Controller indicating the processing of the command. If the LED does not light with a keypad press, then it is possible that the device has not been programmed. If the LED does light, there may be a problem with the infrared emitter lead.

TIP: For Testing, when you are having IR problems, it is helpful to carry a blinking emitter or a test emitter to ensure that the commands are being sent to the source. Techniques you can use to help isolate a sources problem include swapping the source with another on the Tango Controller to see if the problem stays with the Controller or follows the movement of the source. Also try swapping IR emitter leads. Take a look at the source to ensure that no MUTE functions have been accidentally activated.

NOTE: If you connect a keypad while the Controller is on you must restart the Controller for that keypad to become active.

No Keypad Activity

You are not getting power and command connectivity to the zone. The following are some of the possible causes:

- Verify that the AxLink address is set to **0** (zero).
- Zone connectors at the Controller are not secure.
- Connector in the wall at keypad to Controller is not secure.
- Wiring and connection directions not followed. Make certain the center two wires (DATA and GROUND) are in the same orientation at the Controller and the keypad.
- Connectors on keypad from Controller and speakers are reversed.
- Keypad not recognized by system. Restart system.

Keypad Lights, No Sound

Power and command connectivity are getting to the zone. Check other zones and select each source to determine if this is specific to the source or the room in general. If the problem is in a particular room then there may be an issue with cabling to the speakers or it may be the keypad itself. If you get similar results for a particular source in multiple zones then there may be an issue with the source equipment and you should check to see that the selected source is 'playing'. If every other zone is OK, check to make sure cables to the speakers are secure and that you have tried to increase the volume level in the zone.



© 2016 Harman. All rights reserved. Metreau, NetLinx, AMX, AV FOR AN IT WORLD, HARMAN, and their respective logos are registered trademarks of HARMAN. Oracle, Java and any other company or brand name referenced may be trademarks/registered trademarks of their respective companies. AMX does not assume responsibility for errors or omissions. AMX also reserves the right to alter specifications without prior notice at any time. The AMX Warranty and Return Policy and related documents can be viewed/downloaded at www.amx.com.
3000 RESEARCH DRIVE, RICHARDSON, TX 75082 AMX.com | 800.222.0193 | 469.624.8000 | +1.469.624.7400 | fax 469.624.7153
AMX (UK) LTD, AMX by HARMAN - Unit C, Auster Road, Clifton Moor, York, YO30 4GD United Kingdom • +44 1904-343-100 • www.amx.com/eu/

Last Revised:
1/29/2016