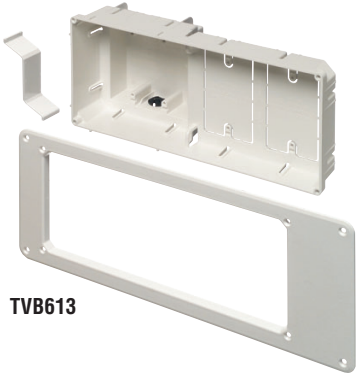




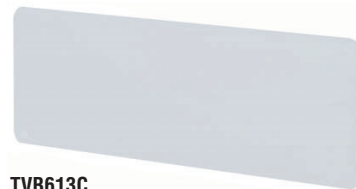
Recessed TV BOX™ **New!** for Power and Low Voltage

Non-metallic and metallic, combination power and low voltage box. For power and phone/cable/speaker/surround sound installations.

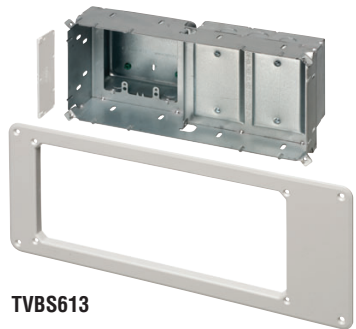


TVB613

Note: Receptacle and cover plates are not included.



TVB613C



TVBS613

CATALOG NUMBER	UPC/DCI/NAED MFG #01 8997	Description	UNIT PKG	STD PKG	DIM A	DIM B	DIM C
TVB613*	09630	4-gang w/ white trim plate	1	1	7.000	17.000	3.880
TVB613BL*	09634	4-gang w/ black trim plate	1	1	7.000	17.000	3.880
TVBS613	09633	4-gang steel w/ white trim plate	1	1	7.000	17.000	3.880
TVBS613BL	09660	4-gang steel w/ black trim plate	1	1	7.000	17.000	3.880
TVB613C	09631	white cover	1	1	7.000	17.000	.127

*Add suffix "GC" to Catalog # when ordering in Canada, for example TVB613GC.

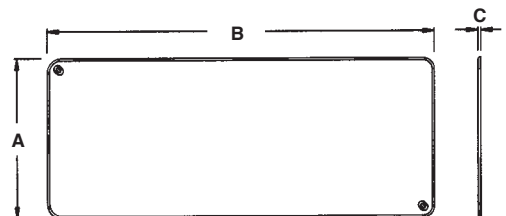
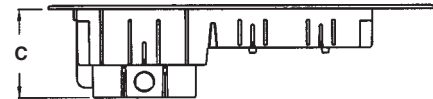
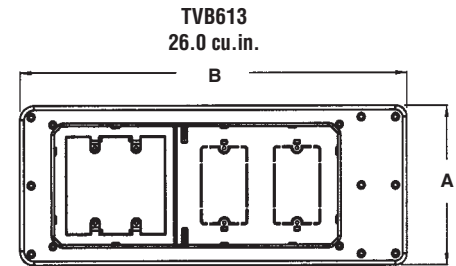
PATENTED. ADDITIONAL PATENTS PENDING.



E170558 LR49636

Features and Benefits

- Use metallic boxes where metal raceways are required
- Perfect for flat screen plasma/LCD televisions
- For new or existing construction
- Recessed, so plugs do not protrude from wall
- Trim ring covers cut edge of drywall
- Trim ring (TVB613) and cover (TVB613C) are textured/paintable
- (2) low voltage mounts are built-in
- Low voltage separator provided for built-in 2-gang device box so power and low voltage can be combined



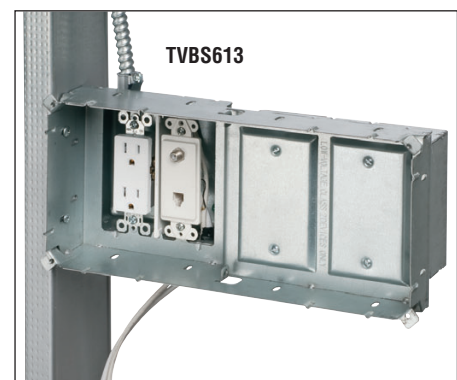
TVB613C



TVB613



TVB613C



TVBS613