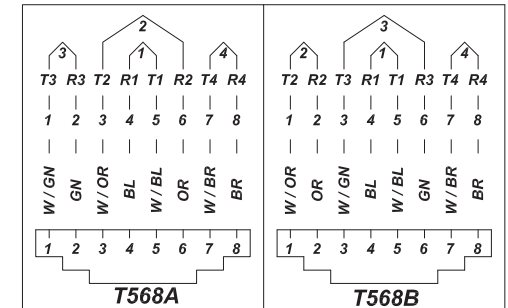
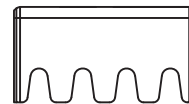


ACCORDING TO ANSI/TIA-568-C.2  
REQUIREMENTS  
C6 CHANNEL COMPLIANT



|                             |                   |      |      |       |
|-----------------------------|-------------------|------|------|-------|
| <b>Scale</b>                | <b>1.5:1</b>      |      |      |       |
| <b>3rd Angle Projection</b> |                   |      |      |       |
| <b>Unit</b>                 | <b>mm</b>         |      |      |       |
| <b>Date</b>                 | <b>2015-04-21</b> |      |      |       |
| <b>Tolerance</b>            |                   |      |      |       |
| ~20                         | ~50               | ~150 | 150~ | ANGLE |
| ±0.2                        | ±0.4              | ±0.5 | ±1.5 | ±2°   |



**Title**

**WP-CAT6-RJ45-180-XX**