

# MB24 / MB24 WR modular bass loudspeaker



## Key Features

- **Low-frequency** reinforcement for Bose® LT arrays and other subwoofer applications that require 40 - 280 Hz bass response
- **Front-loaded tapered transmission** line design provides peak-free extended low-frequency response and reduces port turbulence distortion
- **2 x 12" (305 mm)** high-excursion woofers with 4" (102 mm) voice-coils and 800 W long-term power rating provide high SPL with fast transient response
- **Compact enclosure** optimized for bass-array applications when cardioid or other directional-bass configurations are required for reverberant spaces



TECHNICAL DATA SHEET

## Product Overview

The MB24 and MB24 WR low-frequency loudspeakers are designed to provide bass augmentation for Bose LT arrays and other subwoofer applications. The compact 2 x 12" (305 mm) configuration allows minimal-height arrays when used with LT mid/high loudspeakers. Bose Modeler® tools and optional rigging hardware make directional bass arrays easy to design and install using MB24 loudspeakers.

## Technical Specifications

System Performance			
Frequency Response (+/-3 dB) <sup>1</sup>	40 Hz - 280 Hz		
Frequency Range (-10 dB) <sup>1</sup>	36 Hz - 290 Hz		
Nominal Dispersion	Omni-directional below 200 Hz		
Sensitivity (SPL / 1 W @ 1 m) <sup>2</sup>	94 dB SPL		
Maximum SPL @ 1 m <sup>3</sup>	123 dB SPL (129 dB SPL peak)		
Crossover Frequency	none (external DSP crossover required)		
Recommended High-Pass Filter	30 Hz (24 dB / octave)		
Loudspeaker EQ	Required		
	Parallel	Discrete Driver 1	Discrete Driver 2
Long-Term Power Handling <sup>4</sup>	800 W (3200 W peak)	400 W (1600 W peak)	400 W (1600 W peak)
Nominal Impedance	4 Ω	8 Ω	8 Ω
Transducers			
Driver Complement	LF: Two (2) 12" (305 mm) woofers with 4" (102 mm) voice-coil		
Physical			
	MB24	MB24 WR	
Enclosure	Baltic birch plywood, 13-ply, 18 mm	Exterior grade Baltic birch plywood, 13-ply, 18 mm	
Finish	Polyurethane-based textured paint, black or white	Two part spray polyurethane coating, black	
Grille	16-gauge perforated steel grille with powder-coated finish	16-gauge perforated stainless steel grille with powder-coated finish and backed with an open-cell foam	
Environmental	Indoor use only	Outdoor per IEC 529 IPX5	
Connectors	Two (2) parallel-wired NL4 Neutrik® Speakon® connectors	Two (2) parallel-wired NL4 Neutrik® Speakon® connectors	
Suspension / Mounting	Sixteen (16) points SAE 3/8" - 16 threaded inserts (4 each, top, bottom and sides), steel	Sixteen (16) points SAE 3/8" - 16 threaded inserts (4 each, top, bottom and sides), stainless steel	
Dimensions	28.1" H x 20.0" W x 25.4" D (713 mm x 508 mm x 646 mm)	28.1" H x 20.0" W x 25.4" D (713 mm x 508 mm x 646 mm)	
Net Weight	142 lb (64.4 kg)	142 lb (64.4 kg)	
Shipping Weight	165 lb (74.5 kg)	165 lb (74.5 kg)	
Product Code			
	MB24	MB24 WR	
Black	040175	323113-0110	
White	040706	N/A	

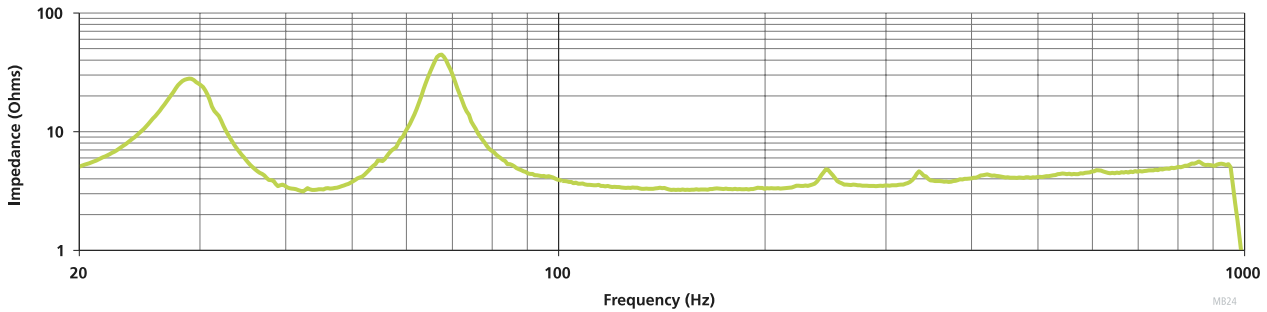
### Footnotes:

- <sup>1</sup> Frequency response and range measured on-axis with recommended active EQ in an anechoic environment.
- <sup>2</sup> Sensitivity measured in free field (no boundary-loading gain) with recommended active EQ, referenced to 1W/1m.
- <sup>3</sup> Maximum SPL calculated from sensitivity and power handling specifications, exclusive of power compression.
- <sup>4</sup> Power handling tested using pink noise filtered to meet IEC 268-5, 6 dB crest factor, 100 hours, with recommended EQ.

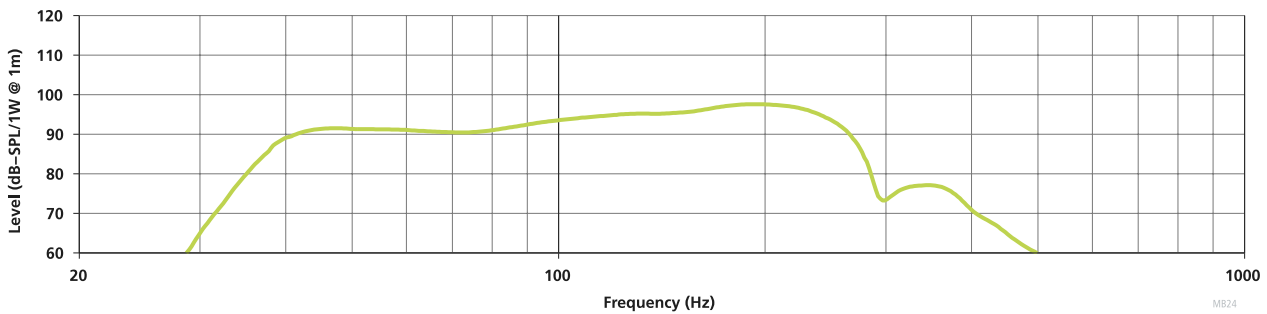
# MB24 / MB24 WR modular bass loudspeaker



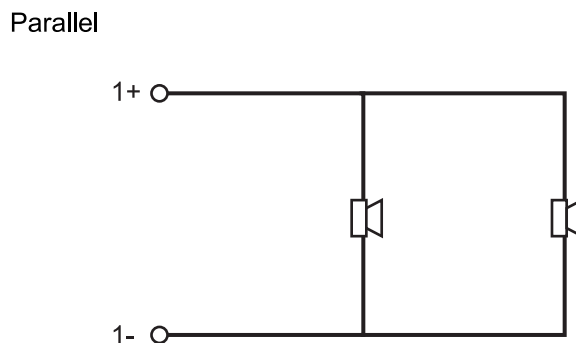
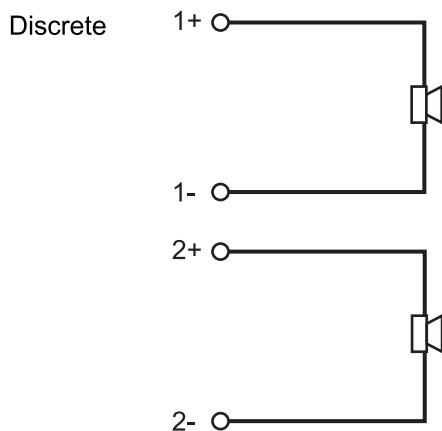
## Impedance



## On-Axis Response



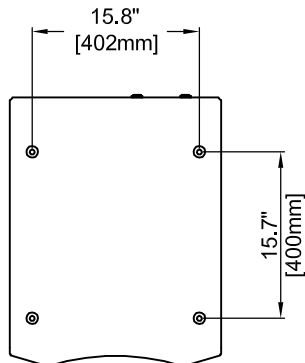
## Wiring Diagram



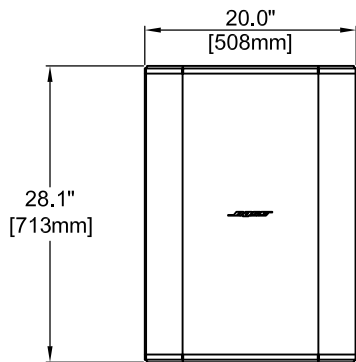
# MB24 / MB24 WR modular bass loudspeaker



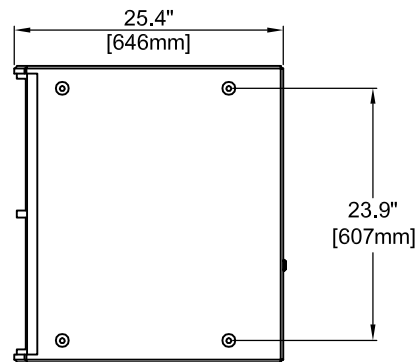
## Mechanical Diagrams



Top View



Front View

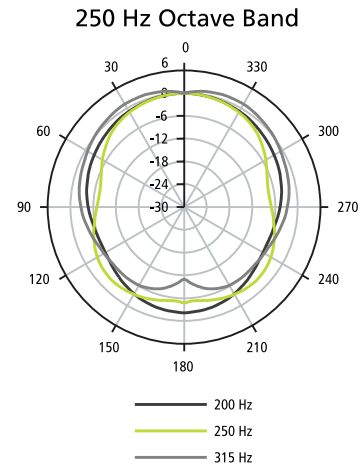
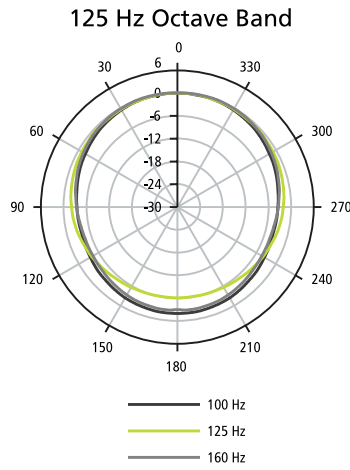
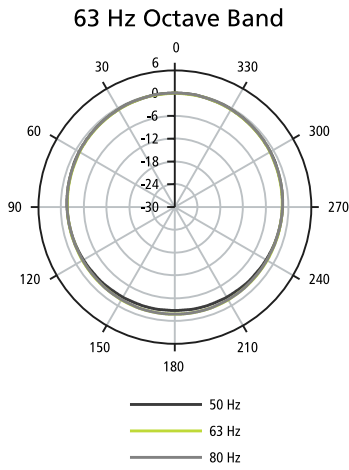


Right View

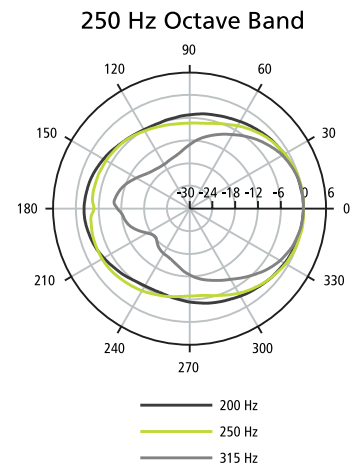
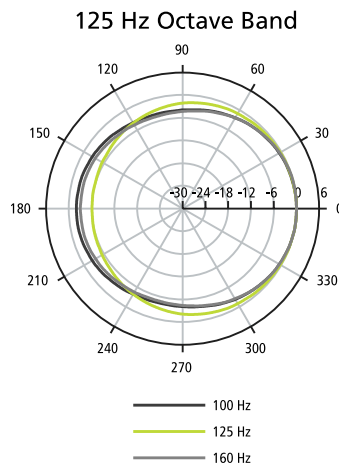
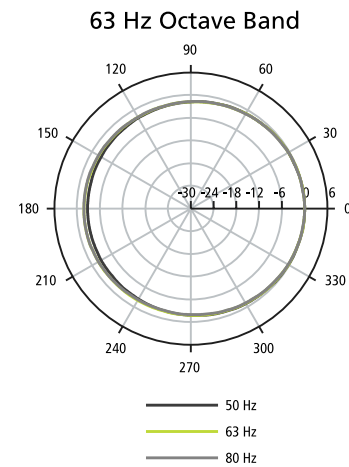
# MB24 / MB24 WR modular bass loudspeaker



## Horizontal Plots



## Vertical Plots



# MB24 / MB24 WR modular bass loudspeaker



## Architects' and Engineers' Specifications

The low-frequency loudspeaker shall contain two (2) 12" (305 mm) woofers, each with 4" (102 mm) voice coil and high-excursion suspension. The enclosure shall utilize a frontloaded tapered transmission-line design to reduce resonant peaks in frequency response, while reducing port-turbulence distortion.

On-axis system frequency response shall be 40 Hz to 280 Hz (+/- 3 dB) with usable bass response (-10 dB) from 36 Hz to 290 Hz. The system sensitivity shall be 94 dB SPL with 1 watt input and be capable of producing peak output of 129 dB SPL on axis at 1 meter in free-space anechoic environments. For floor-boundary mounted installations, peak output will increase to approximately 135 dB SPL (due to boundary-loading acoustic gain). The loudspeaker shall handle 800 watts of amplifier power (IEC 268-5 pink noise, 6 dB crest factor, for 100 hours).

Nominal input impedance shall be 4 ohms for paralleled connection of the two woofers. Discrete connections to each woofer shall also be provided with nominal impedance of 8 ohms.

### MB24 Only:

The enclosure shall be constructed of void-free, Baltic birch plywood with extensive internal bracing. The enclosure exterior shall be treated with a polyurethane-based paint that resists scuffing. The enclosure shall be covered by a 16-gauge perforated steel grille with powder-coated finish. The loudspeaker shall be rated for indoor use only. The enclosure shall have sixteen (16) steel threaded inserts (4 each: top, bottom, sides) that accept standard SAE 3/8"-16 rigging hardware. Inputs shall be two (2) NL4 Neutrik® Speakon® connectors. Loudspeaker dimensions shall be 28.1" x 20.0" x 25.4" (713 mm x 508 mm x 646 mm). Net weight shall be 142 lb (64.4 kg).

The low-frequency loudspeaker shall be the Bose® MB24 modular bass loudspeaker.

### MB24 WR Only:

The enclosure shall be constructed of void-free, exterior-grade Baltic birch plywood with extensive internal bracing. The enclosure interior shall be treated with wood sealer and the exterior finished with a two-part spray polyurethane coating (Chemthane 7030 or equivalent) to resist weather elements and scuffing. The enclosure shall be covered by a 16-gauge perforated stainless steel grille with powder-coated finish and backed with an open-cell foam. The loudspeaker shall survive water incursion consistent with the IEC 529 IPX5 rating. The enclosure shall have sixteen (16) stainless steel threaded inserts (4 each: top, bottom, sides) that accept standard SAE 3/8"-16 rigging hardware. Inputs shall be two (2) NL4 Neutrik® Speakon® connectors. Loudspeaker dimensions shall be 28.1" x 20.0" x 25.4" (713 mm x 508 mm x 646 mm). Net weight shall be 142 lb (64.4 kg).

The low-frequency loudspeaker shall be the Bose® MB24 WR modular bass loudspeaker.