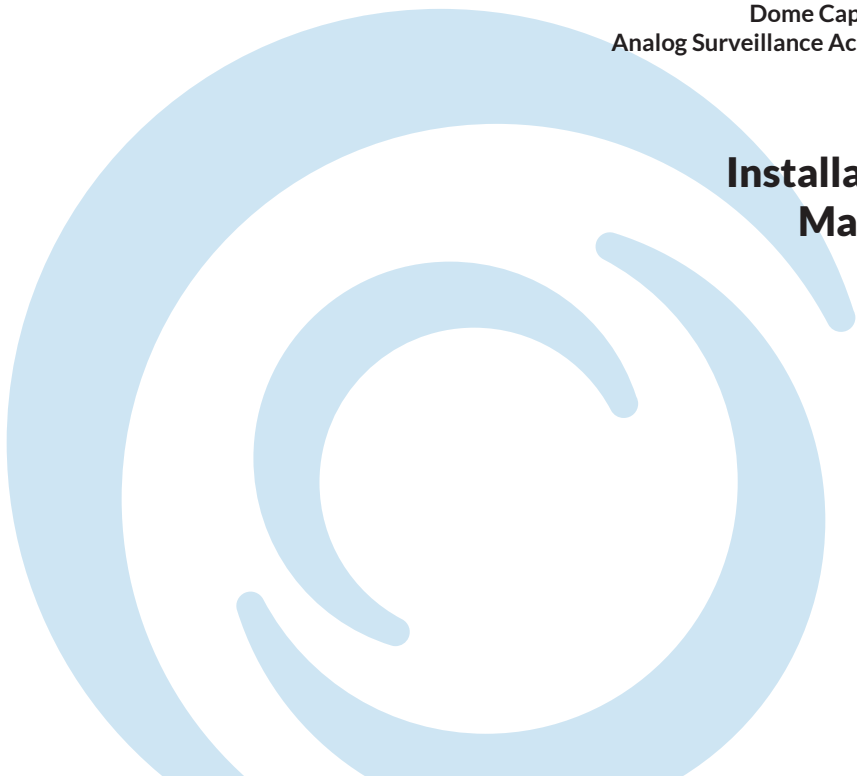




Dome Cap Mount
Analog Surveillance Accessory

Installation Manual



Installation

Before you start, ensure that the hardware is in good condition and all assembly parts are included.

Check that the mount is strong enough to withstand three times the combined weight of this cap and the camera.

Take care that all equipment is powered off during installation.

Important Note: To avoid damaging the surface of your dome camera during installation, keep it away from walls and other objects. Do not remove the protective coating from the dome until after the camera is installed and the dome is in place.

If the product does not assemble properly, please contact technical support.

Compatibility

This can be used with Luma Surveillance 300-, 500-, and 700-series analog dome cameras, as well as Luma Surveillance accessories for analog cameras.

In addition, thread adapters allow it to be used with third-party hardware.

Box Contents

Before installing, familiarize yourself with the parts of your mount.

- Cap mount
- 2 thread adapters
- 4 mounting screws
- 3 locking screws

Other Required Equipment

- Dome camera
- Precision flathead screwdriver
- Phillips screwdriver

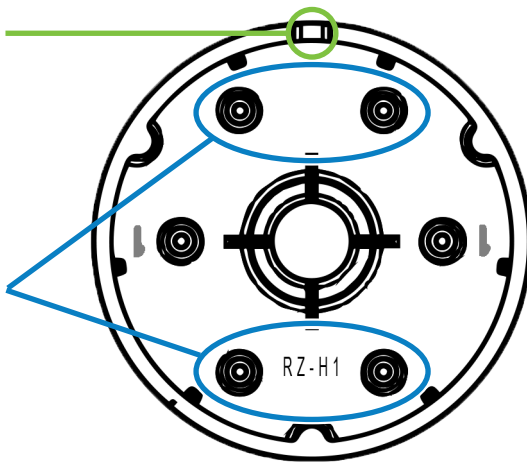
Aligning the Cap

Although it may look symmetrical, the cap mount has correct and incorrect orientations. It is important to know these in case the gasket comes loose.

When aligned so that the number 1 posts are to the sides, and the interior label RH-Z1 is upright, the gasket tab should be on the top of the cap. This makes the posts and the gasket align properly with the dome camera.

The tab on the gasket must be kept in this position.

These posts are used for installation (the posts numbered 1 are not used).



Attaching the Cap

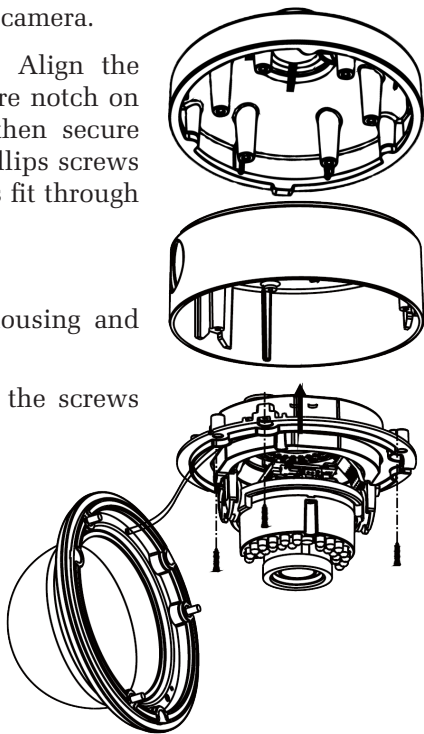
If necessary, remove the housing from the camera.

Attach the housing to the cap mount. Align the gasket tab on the cap mount with the wire notch on the underside of the camera housing, then secure the housing to the cap using the four Phillips screws provided with the cap mount. The screws fit through the four holes labeled with a 4.

Remove the dome from the camera body.

Thread the camera wires through the housing and through the top of the cap.

Attach the camera to the housing using the screws provided with the camera.



Applications

Your capped dome is now ready for further installation.

It is designed to be used with the following Luma Surveillance accessories:

- LUM-MNT-ARM arm mount, for attaching to a wall to provide a greater field of view, and
- LUM-MNT-PND pendant mount, for attaching to a ceiling that has ducting or other items that obscure vision.

If you are using third-party hardware, attach an adapter to the cap if needed. Tighten it, then lock it in place by inserting a locking screw into the small hole at the threads.

Support

If you need help, email support@SnapAV.com. For information, instructional videos, support documentation, or ideas, visit our website.

5-Year Limited Warranty

This Luma Surveillance™ product has a 5-Year Limited Warranty. This warranty includes parts and labor repairs on all components found to be defective in material or workmanship under normal conditions of use. This warranty shall not apply to products that have been abused, modified or disassembled. Products to be repaired under this warranty must be returned to a designated service center with an assigned return authorization (RA) number. Contact technical support for an RA number.

Copyright ©2015 Luma Surveillance. All rights reserved.

Version 150930-0858

