



Bullet Junction Mount  
Surveillance Accessory

# Installation Manual

## Installation

Before you start, ensure that the hardware is in good condition and all assembly parts are included.

Check that the mounting surface is strong enough to withstand three times the weight of the mount and camera.

If installing on a cement surface, use the included expansion anchors to install the mount. If installing on a wood surface, use self-tapping wood screws (not included) to secure the mount.

Take care that all equipment is powered off during installation.

If the product does not assemble properly, please contact technical support.

## Compatibility

This can be used with all Luma Surveillance bullet cameras.

It can be mounted on Luma Surveillance pole mounts.

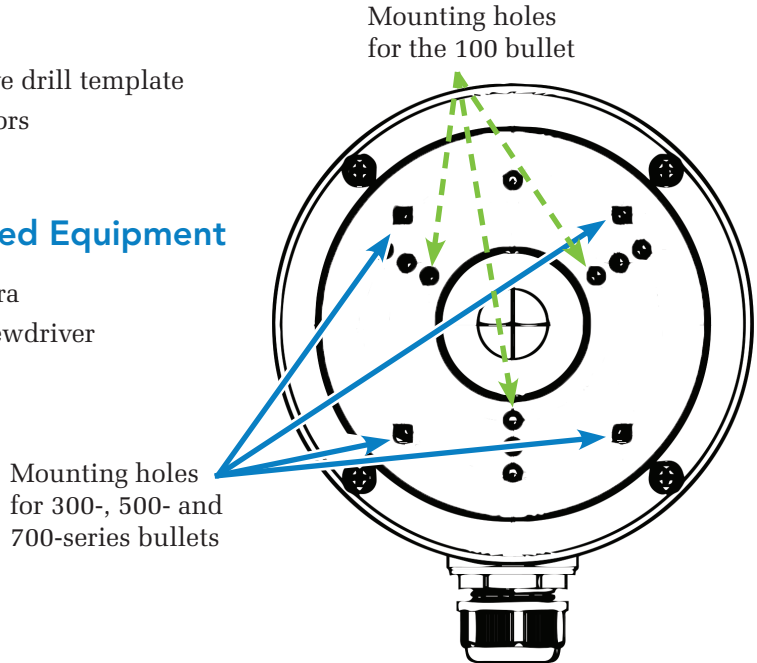
## Box Contents

Before installing, familiarize yourself with the parts of your mount.

- Face plate
- Housing
- Self-adhesive drill template
- 4 wall anchors
- 4 screws

### Other Required Equipment

- Bullet camera
- Phillips screwdriver



## Prepare for Installation

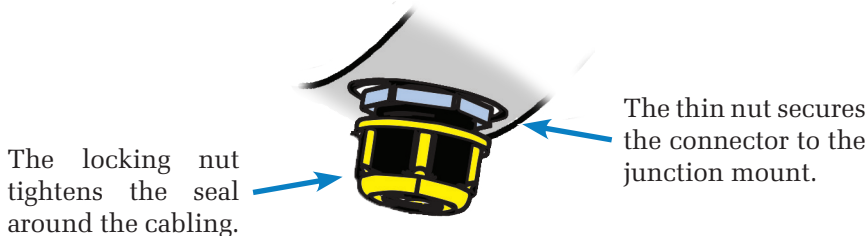
Remove the face plate from the housing and set it aside.

The mount comes with one conduit plug and one conduit connector.

**If you will be running a conduit through the side of the housing,** no changes are needed.

**If you will be running a conduit through the mounting surface,** replace the conduit connector with the conduit plug. Tighten the conduit plug with a quarter or a large flathead screwdriver.

**If you will be running a conduit through a pole mount,** you may wish to swap the locations of the conduit plug and the conduit connector. Tighten the conduit plug with a quarter or a large flathead screwdriver. Secure the conduit connector by tightening the thin hex nut by hand.



## Install the Housing

Using the self-adhesive template provided, drill pilot holes as needed, as well as a cable hole through the mounting surface if desired.

Remove the self-adhesive template.

Secure the housing to the mounting surface.

Thread the wires from your surveillance system through the housing.



## Install the Camera

Thread the wires from your camera through the face plate, then attach your camera to the face plate using the screws supplied with the camera.

Hang the looped wire attached to the face plate over the hook on the interior of the junction mount. This holds the camera in place, leaving your hands free.

Connect the camera wiring to your surveillance network.

Once everything is connected, screw the bullet / face plate assembly onto the housing.

You can now power up your camera and finish installation using the instructions in its manual.

## Weatherproofing

While the gasket provided helps block moisture, we recommend you run a silicone bead between the base of the bullet and the face plate, as well as between the junction mount and the mounting surface. If the wiring runs out of the side of the housing, also seal the conduit connector.

## Support

If you need help, email [support@SnapAV.com](mailto:support@SnapAV.com). For information, instructional videos, support documentation, or ideas, visit our website.

### 5-Year Limited Warranty

This Luma Surveillance™ product has a 5-Year Limited Warranty. This warranty includes parts and labor repairs on all components found to be defective in material or workmanship under normal conditions of use. This warranty shall not apply to products that have been abused, modified or disassembled. Products to be repaired under this warranty must be returned to a designated service center with an assigned return authorization (RA) number. Contact technical support for an RA number.

Copyright ©2015 Luma Surveillance. All rights reserved.

Version 150930-0858

