

WPS-MNT-PA-POLE-WH

Pole Mount for WPS-500-PTZ-A & WPS-750-PTZ-A Cameras

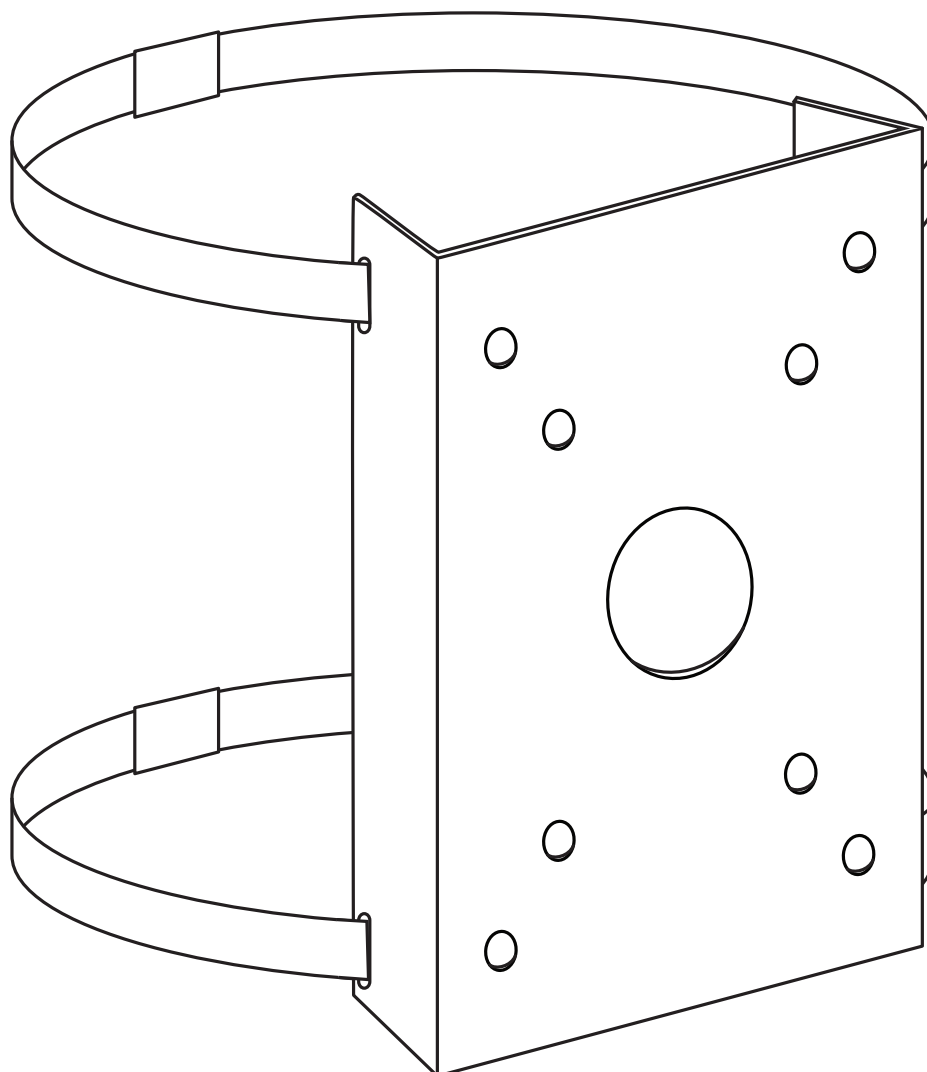
Thank you for purchasing a Wirepath™ Surveillance accessory. This pole mount will allow you to install a Wirepath WPS-500-PTZ-A or a WPS-750-PTZ-A Analog PTZ camera on a 4.6 to 5.5 inch diameter pole. Larger straps may be used for other diameters (not included).

Mounting and Use Guidelines

- The pole must be rated to support the weight of the pole mount pieces and the camera assembly.
- Be sure the pole mount is affixed properly to avoid slipping or sliding of the camera assembly.
- Instructions for using this accessory may be found in the manual included with the Wirepath PTZ camera.

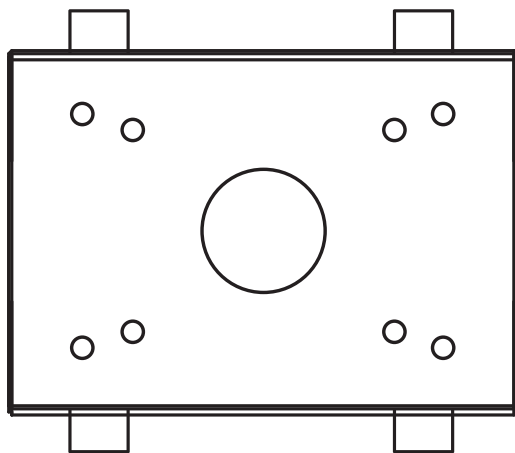
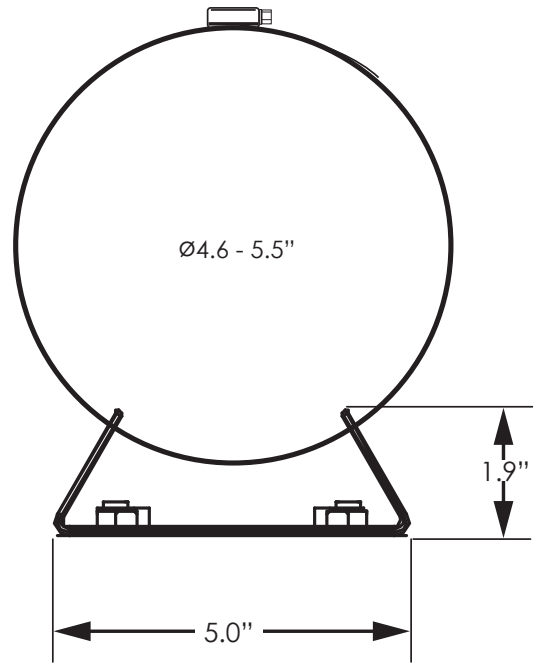
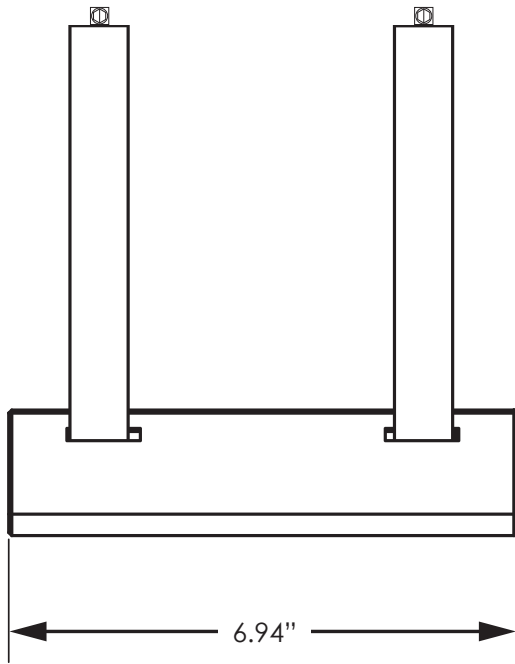
Package Contents

- Pole Mount
- Screw Clamps (2)
- Junction Box Adapter Plate
- 6mm Allen Key
- Junction Box Adapter Plate Hardware:
 - M8x30 Allen Head Bolts (5, 1 spare)
 - M8x18 Hex Head Bolts (5, 1 spare) to attach adapter plate to pole mount
 - M8 Lock Washers (5, 1 spare)
 - M8 Flat Washers (10, 2 spares)



Pole Mount for WPS-500-PTZ-A / WPS-750-PTZ-A Cameras

Dimensions



Specifications

Pole Mount Weight	5.4 lbs.
With WPS-500-PTZ-A	13.1 lbs.
With WPS-750-PTZ-A	24.7 lbs.
Junction Box Adapter Plate Dimensions	6.75"W x 8.75"H

5-Year Limited Warranty

This accessory has a 5-Year Limited Warranty. The warranty includes parts and labor repairs on all components found to be defective in material or workmanship under normal conditions of use. This warranty shall not apply to products which have been abused, modified, disassembled or improperly installed. Products to be repaired under this warranty must be returned to Wirepath™ Surveillance or a designated service center with prior notification and an assigned return authorization number (RA).

Contacting Tech Support

Phone: (866) 838-5052

Email: Techsupport@snapav.com