

The Cleerline SSF™ tactical connector system protects SSF™ LC connectors by containing them within a durable, water-resistant plastic housing. The housing is paired with a metal socket, which can easily be installed in-wall if desired. The tactical system is ideal for non-permanent installations or installations in which cables will frequently be removed or changed. The tactical housing allows easy disconnection of connectors as well as preventing dust or contaminate build-up.

The SSF™ tactical housing and socket securely lock together, with removal facilitated by a convenient push button. The connector housing is carefully designed to provide strain relief, facilitating repeated connection and disconnection of cables. When not in use, both the housing and socket are equipped with durable dust caps.

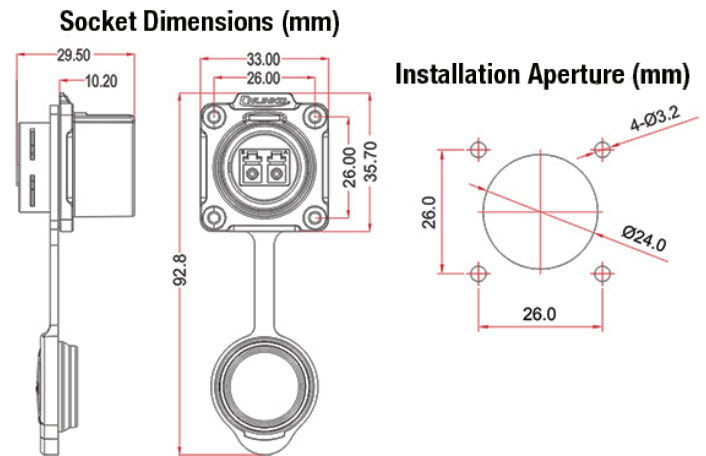
The connector housing features a specially molded design only for use with two individual SSF™ LC mechanical splice connectors. Pre-made SSF™ patch cables are not compatible. The housing will accept single mode or multimode fibers, with a maximum cable outer diameter of 14 mm. SSF™ 2 Strand Tactical Breakout cable is recommended.

The accompanying female socket accepts two (duplex) LC connectors. Sockets are available color-coded according to TIA 598C standards for single mode or multimode fibers. The socket functions as a feedthrough adapter, allowing any industry standard connector to be mated to the housing.

All items are sold separately.

## FEATURES AND BENEFITS

- Water resistant
- Female socket accepts LC connectors
- Male housing accepts SSF™ LC **Only**
- Highly engineered plastic housing
- Aluminum socket



SPECIFICATIONS	
Recommended Cable	SSF™ 2 Strand Tactical Breakout, SM or MM
Insertion Force	Max. 4.5 N
Durability	> 500 connection cycles
Temperature Rating	-40°C - +80°C
Impact Resistance	294 m/s <sup>2</sup>
Cable Outer Diameter	4 - 14 mm
Cable Outer Diameter / Housing Water Resistance	4 - 7 mm / Water Resistant > 7 - 14 mm / Waterproof
Certification	TUV, UL
International (Ingress) Protection Rating	IP65 (socket) / IP67 (housing)

PART NUMBER	DESCRIPTION	FIBER TYPE	CONNECTOR TYPE
SSF-TOC-MDLC	Tactical male duplex connector housing	Single Mode/Multimode	SSF™ LC ONLY
SSF-TOC-FDLC-MM	Tactical female duplex socket - Multimode	Multimode	50/125 µm LC
SSF-TOC-FDLC-SM	Tactical female duplex socket - Single mode	Single Mode	9/125 µm LC