

D.

DEFINITIVE TECHNOLOGY™

USER MANUAL

MANUEL DE L'UTILISATEUR | MANUAL DE USUARIO
MANUALE D'USO | BENUTZERHANDBUCH | INSTRUKCJA OBSŁUGI
ANVÄNDARMANUAL | HANDLEIDING

DYMENSION™

DM10™ | DM20™ | DM30™ | DM40™ | DM60™
DM70™ | DM80™ | DM90™ | DM95™

Contents

Meet the Dymension Speaker Series	3
Speaker Placement	13
Speaker Wiring	18
The Rear Speaker Array	20
Installing Height Speakers	22
Settings and Configuration	24
DM80 Wiring Configurations	27
Speaker Feet Pads and Spikes	31
Tips and Troubleshooting	32
Trademark Information.	33

Meet the Dymension Speaker Series

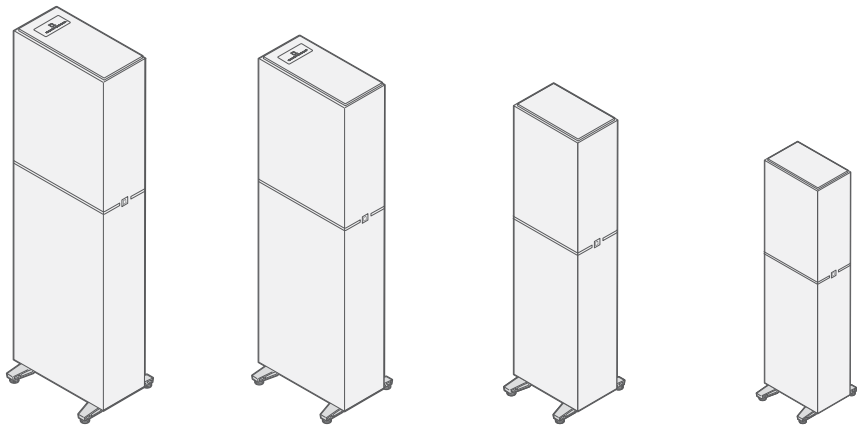
Thank you for choosing the Definitive Technology Dymension series loudspeaker system. Take advantage of a wide range of cutting-edge audio technology features, including bi-polar array technology, integrated powered subwoofers, and Intelligent Bass Control™. Truly immerse yourself in 3D sound with Dolby Atmos® and DTS: X™ compatibility. This remarkable speaker system is sure to provide a state-of-the-art experience in both music and home-theater sound reproduction.

Speakers overview

The Dymension series includes four tower speakers (DM80, DM70, DM60, DM40), three center speakers (DM30, DM20, DM10), a height-channel module (DM90), and a surround speaker/wall-mounted height module (DM95).

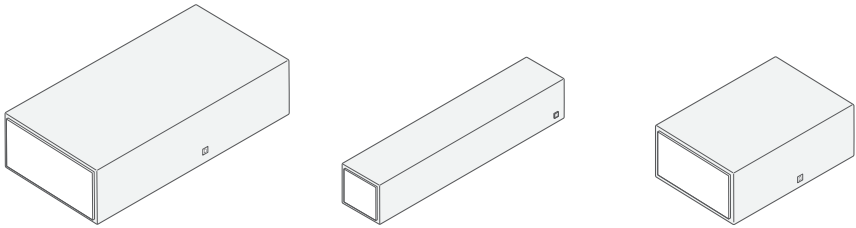
Tower speakers

DM80, DM70, DM60, & DM40



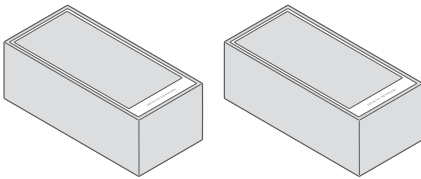
Center speakers

DM30, DM20, & DM10



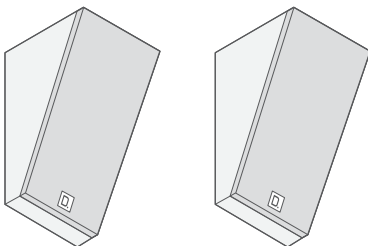
Height speakers

DM90 (compatible with DM80 and DM70 only)



Surround/Height speakers

DM95



Product specifications

Every speaker in the Dymension series is covered with a non-removeable, acoustically transparent black cloth. See below for more technical specifications and details.

Tower speakers

	DM80	DM70	DM60	DM40
Dimensions	49.4 x 11.3 x 16.0 in. (1254.9 x 286.7 x 406.7 mm)	47.4 x 11.3 x 16.0 in. (1204.1 x 286.7 x 406.7 mm)	45.4 x 11.3 x 13.7 in. (1153.4 x 286.7 x 349 mm)	37.4 x 10.3 x 10.0 in. (950.1 x 261.4 x 255 mm)
Tweeter	(2) 1 in. aluminum oxide dome	(2) 1 in. aluminum oxide dome	(2) 1 in. aluminum oxide dome	(2) 1 in. aluminum oxide dome
Midrange/ Midbass	(4) 5.25 in. BDSS with Linear Response Waveguide	(4) 5.25 in. BDSS with Linear Response Waveguide	(4) 4.5 in. BDSS with Linear Response Waveguide	(4) 4.5 in. woofers
Subwoofer system driver complement	(1) 12 in. subwoofer (2) 12 in. bass radiator	(1) 10 in. subwoofer (2) 10 in. bass radiator	(1) 8 in. subwoofer (2) 8 in. bass radiator	X
Frequency response	23 Hz–30,000 Hz (-10 dB) 28 Hz–23,000 Hz (-3 dB)	25 Hz–30,000 Hz (-10 dB) 30 Hz–23,000 Hz (-3 dB)	30 Hz–30,000 Hz (-10 dB) 34 Hz–23,000 Hz (-3 dB)	38 Hz–30,000 Hz (-10 dB) 55 Hz–23,000 Hz (-3 dB)
Nominal impedance	4Ω (8Ω compatible)	4Ω (8Ω compatible)	4Ω (8Ω compatible)	4Ω (8Ω compatible)
Sensitivity	90dB (2.83V/1m)	90dB (2.83V/1m)	88dB (2.83V/1m)	87dB (2.83V/1m)
Subwoofer amplifier	500W (Peak) GaN FET	250W (Peak) Class D	250W (Peak) Class D	X
Bipolar array adjustment	Fully Bipolar (default), Forward Focus -6dB, Variable via Biamp	Rear tweeter switch: 0dB, -6dB	Rear tweeter switch: 0dB, -6dB	Rear tweeter switch: 0dB, -6dB
Intelligent Bass Control™	Variable +/- 12dB	Variable +12dB/-15dB	Variable +12dB/-15dB	X

Center speakers

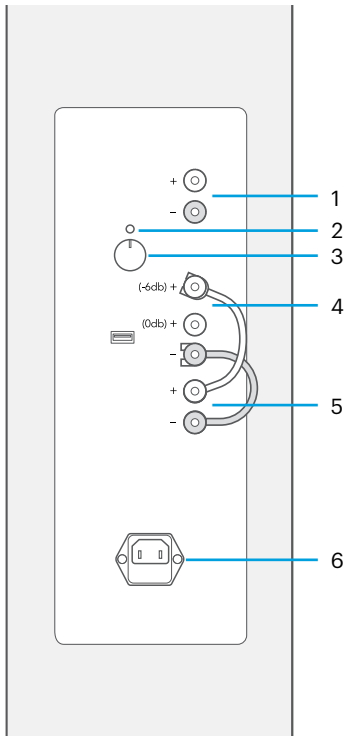
	DM30	DM20	DM10
Dimensions	7.5 x 31.5 x 15.9 in. (190.2 x 800.4 x 403 mm)	5.3 x 30.5 x 6.5 in. (134.4 x 775 x 165.8 mm)	7.3 x 19.5 x 12.2 in. (186 x 495.6 x 311 mm)
Tweeter	(1) 1 in. aluminum oxide dome	(1) 1 in. aluminum oxide dome	(1) 1 in. aluminum oxide dome
Orientation	Horizontal	Horizontal	Horizontal
Midrange/ Midbass	(4) 5.25 in. BDSS with Linear Response Waveguide	(4) 4 in. midrange woofers	(2) 5.25 in. woofers
Subwoofer system driver compliment	(1) 8 in. subwoofer (2) 8 in. bass radiator	X	(1) 9 in. bass radiator
Frequency response	36 Hz–30,000 Hz (-10 dB) 41 Hz–23,000 Hz (-3 dB)	64 Hz–30,000 Hz (-10 dB) 91 Hz–23,000 Hz (-3 dB)	57 Hz–30,000 Hz (-10 dB) 81 Hz–23,000 Hz (-3 dB)
Nominal impedance	6Ω (8Ω compatible)	4Ω (8Ω compatible)	4Ω (8Ω compatible)
Sensitivity	93dB (2.83V/1m)	89dB (2.83V/1m)	90dB (2.83V/1m)
Subwoofer amplifier	250W (Peak) Class D	X	X
Intelligent Bass Control™	Variable +12dB/-15dB	X	X

Height and surround speakers

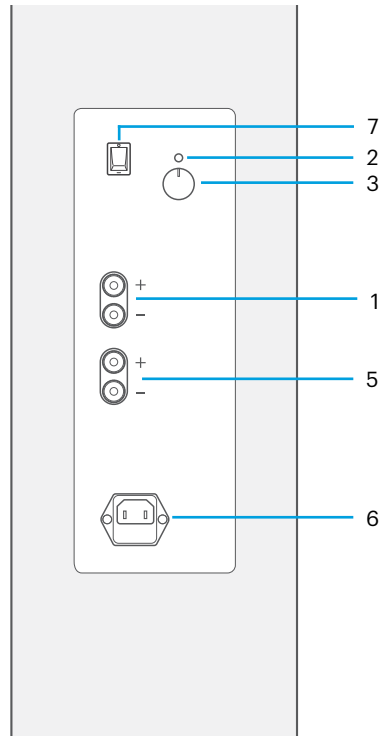
	DM90	DM95
Dimensions	6.0 x 7.3 x 15.3 in. (151.6 x 185.2 x 388.7 mm)	8.3 x 7.3 x 13.0 in. (210.7 x 184.2 x 330.2 mm)
Tweeter	(1) 1 in. aluminum oxide dome	(1) 1 in. aluminum oxide dome
Midrange/ Midbass	(1) 5.25 in. BDSS with Linear Response Waveguide	(1) 5.25 in. BDSS with Linear Response Waveguide
Frequency response	81 Hz–30,000 Hz (-10 dB) 130 Hz–27,000 Hz (-3 dB)	62 Hz–30,000 Hz (-10 dB) 110 Hz–23,000 Hz (-3 dB)
Nominal impedance	4Ω (8Ω compatible)	4Ω (8Ω compatible)
Sensitivity	90dB (2.83V/1m)	90dB (2.83V/1m)
Treble control	X	0dB, +3dB

Tower speaker back panels

DM80

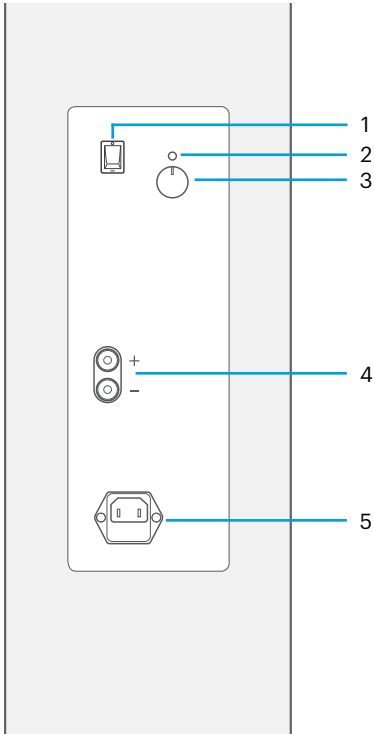


DM70

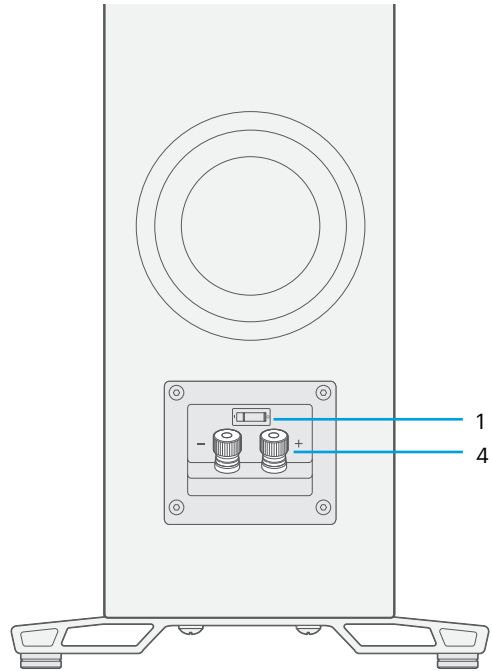


- 1 - **Height-channel binding posts:** Connect to an amplifier or receiver when the optional DM90 speaker is installed.
- 2 - **Status light:** The light turns from red to blue when the speaker receives a signal from your amplifier or receiver. For more information, see page 26.
- 3 - **Intelligent Bass Control knob:** Increases or decreases the bass level. We recommend starting at the 12-o'clock position when setting up the speaker.
- 4 - **Rear input binding posts:** The DM80 speaker comes installed with additional binding posts and a jumper cable to independently control the rear speaker array between 0 dB (full bi-polar) and -6 dB (forward-focused).
- 5 - **Speaker input binding posts:** Connect the main speakers to your amplifier or receiver.
- 6 - **Power connector:** Required to power the integrated subwoofer.
- 7 - **Rear tweeter switch:** Switches the rear tweeter between 0 dB (full bi-polar) and -6 dB (forward-focused).

DM60



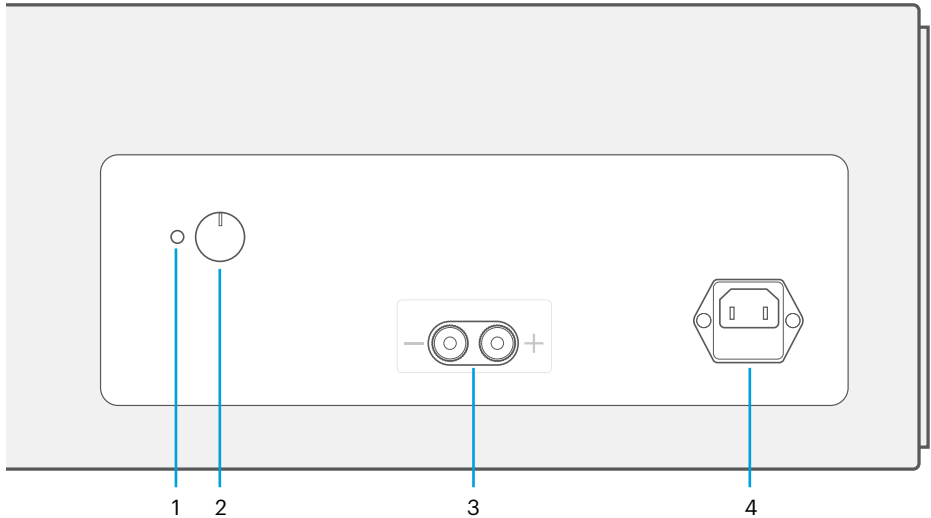
DM40



-
- 1 - **Rear tweeter switch:** Switches the rear tweeter between 0 dB (full bi-polar) and -6 dB (forward-focused).
 - 2 - **Status light:** The light turns from red to blue when the speaker receives a signal from your amplifier or receiver. For more information, see page 26.
 - 3 - **Intelligent Bass Control knob:** Increases or decreases the bass level. We recommend starting at the 12-o'clock position when setting up the speaker.
 - 4 - **Speaker input binding posts:** Connect the main speakers to your amplifier or receiver.
 - 5 - **Power connector:** Required to power the integrated subwoofer.

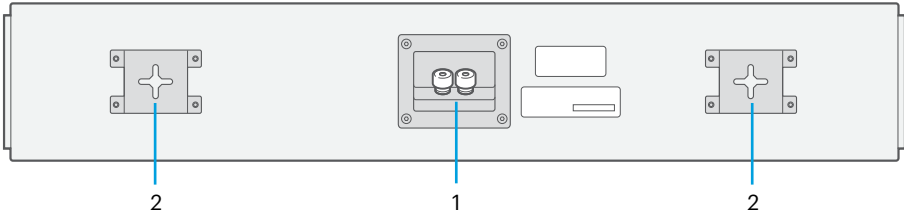
Center speaker back panels

DM30

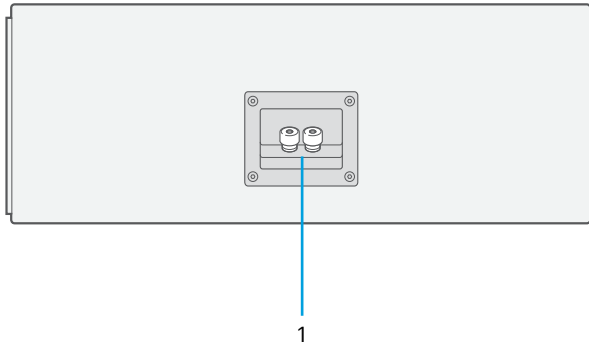


- 1 - **Status light:** The light turns from red to blue when the speaker receives a signal from your amplifier or receiver. For more information, see page 26.
- 2 - **Intelligent Bass Control knob:** Increases or decreases the bass level. We recommend starting at the 12-o'clock position when setting up the speaker.
- 3 - **Binding posts:** Connect the speaker to your amplifier or receiver.
- 4 - **Power connector:** Required to power the integrated subwoofer.

DM20

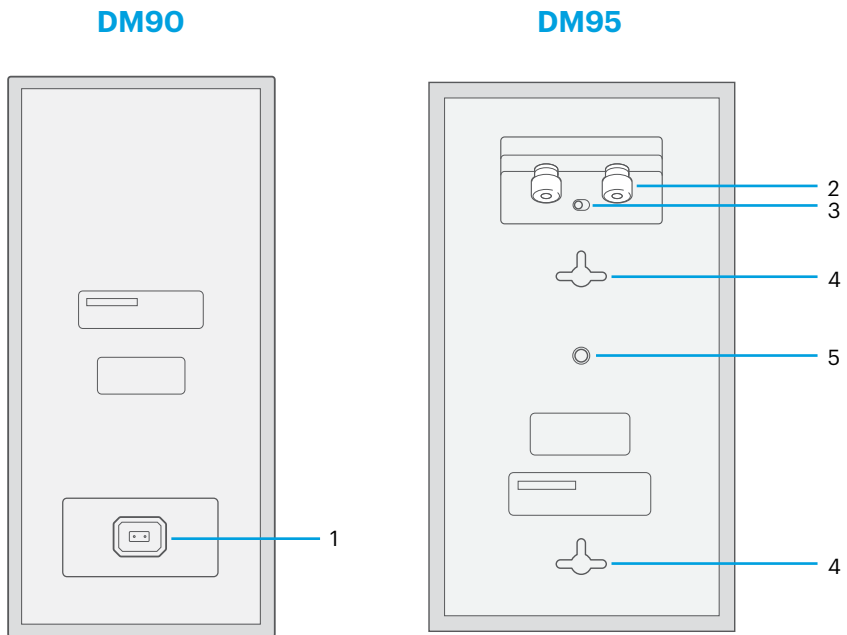


DM10



-
- 1 - **Binding posts:** Connect the speaker to your amplifier or receiver.
 - 2 - **Key-hole slots for wall mounting:** Use to mount the speaker on your wall. See the included wall-mounting template for more information.

Height and surround speaker back panels



-
- 1 - **Connection port:** Connects the height-channel to the top of your DM80 or DM70 tower speaker.
 - 2 - **Binding posts:** Connect the speaker to your amplifier or receiver.
 - 3 - **Treble control:** Switches the treble between 0 dB (default) and +3 dB (boost).
 - 4 - **Key-hole slots for wall mounting:** Used to mount the speaker on your wall. See the included wall-mounting template for more information.
 - 5 - **3/8-16 Threaded insert:** Mount the speaker with optional speaker mounts (not included).

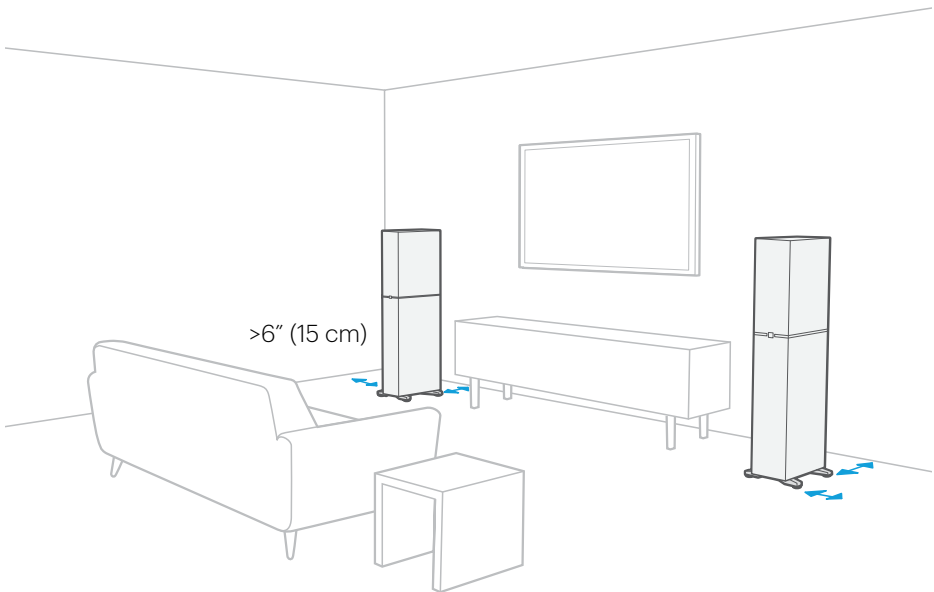
Speaker Placement

Correct speaker placement is important to maximize the sound quality of your audio system. Read this section for placement tips for your individual speakers, as well as diagrams and descriptions of various speaker system layouts.

Positioning the speakers

Tower speakers

The tower speakers can be used as front-right and front-left speakers or as surround speakers. Your final speaker placement will depend on the environment and personal listening preferences.

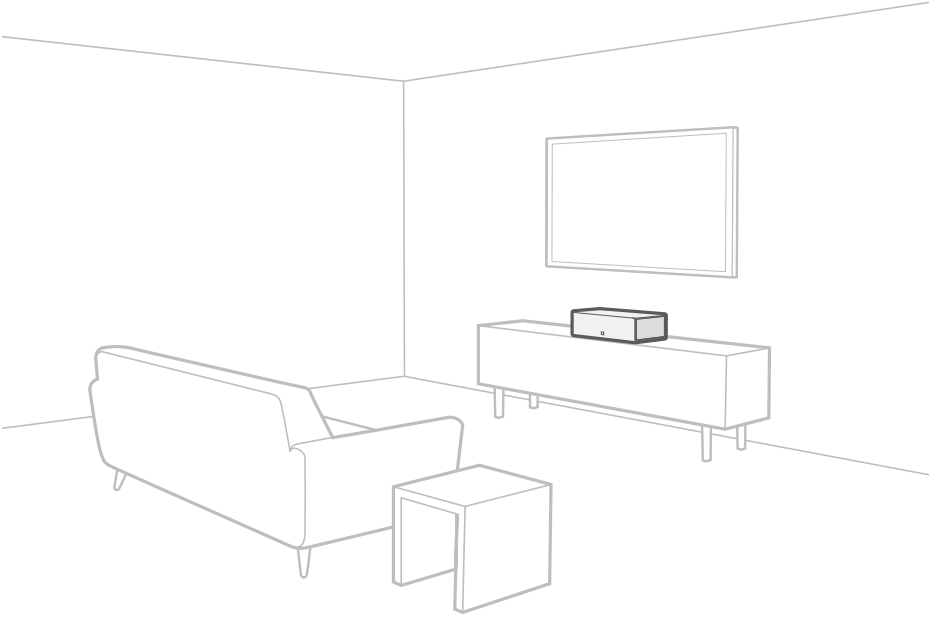


Follow these general best practices when placing your tower speakers:

- Place the speakers as far apart from each other as they are from the main listening area. See the diagrams on page 16 for reference.
- Do not place the speakers any closer than 6 inches to any wall.
- If possible, keep the speakers about 2.5 feet away from the back or side walls.
- If the reflection of the rear speakers off of the front wall is too strong, try pulling the speakers away from the wall or switching the array to forward-focus mode. For more information, see page 20.
- Start with the speakers placed parallel with your back wall, and experiment with the imaging by increasing the angle (toe-in) until you find the desired balance of ambience and direct sound.

Center speakers

The most popular placement for your center speaker is just below and centered with your TV. You can also place the speaker above your TV. Your final speaker placement will depend on the environment and personal listening preferences.



Follow these general best practices when placing your center speakers:

- Place the speaker as close to the center of your TV as possible.
- If the speaker is placed on furniture, keep the speaker flush with the front edge of the surface.

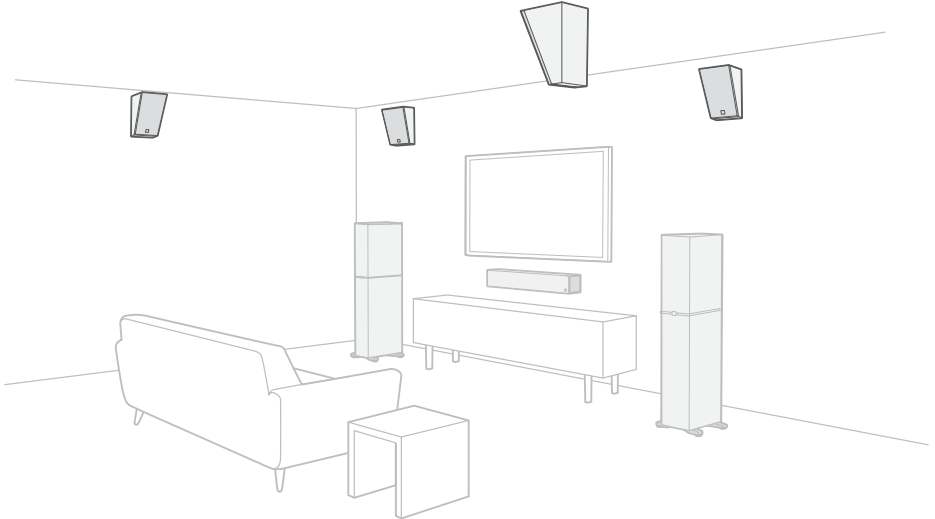
Note: The DM20 speaker is designed for wall-mounting, if desired. However, do not attempt to mount DM10 or DM30 speakers on a wall.

- If possible, angle the speaker toward the listening area if the speaker is too far above or below your TV.
- Avoid enclosing the DM30 or DM10 speakers inside a cabinet. These speakers have up-firing woofers and/or bass radiators. If your speaker is inside a cabinet, try to allow at least a few inches between the top of the speaker and the cabinet.

Surround and height speakers

You can use the DM95 speakers as surround or height speakers. Review the Quick Start Guide that came with the product for installation instructions. See below for additional placement advice, depending on your setup.

For more information about using and positioning height-channel speakers for Dolby Atmos, visit <https://www.dolby.com/>.



Follow these general best practices when using DM95s as surround speakers:

- Position the speakers on side walls, slightly behind and above the listening area.
- Position the speakers so that the tweeters point toward the listening area.
- If you install a second pair of DM95 speakers, mount them where they are best able to face the listening area.

Note: Two DM95 speakers can be used for the surround channels in a 5.1 setup or four can be used as surround and surround back channels in a 7.1 system.

Follow these general best practices when using DM95s as height-channel speakers:

- Position the speakers so that the tweeters point toward the listening area.
- If you are using two DM95 speakers, you can mount the speakers above the left-front and right-front speakers or to the sides (as seen in the diagram above), depending on the room and your preferences. For detailed information and placement suggestions with two or more height-channel speakers, visit <https://www.dolby.com/>.

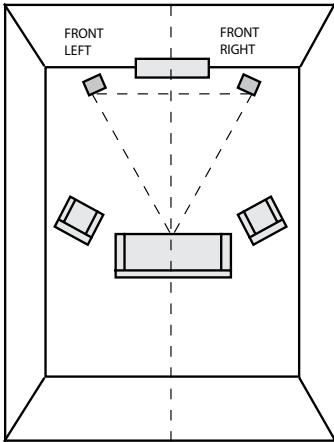
As with the tower and center speaker placement, your final surround height speaker placement will depend on the environment and personal listening preferences.

Speaker system setups

Your Dymension speakers are compatible with 2, 3, 5, 7, and 9-channel surround sound configurations and all Dolby Atmos setups (for example, 5.1.2, 5.1.4, etc). Take a look at the following examples and give them a try based on the Dymension speakers you have.

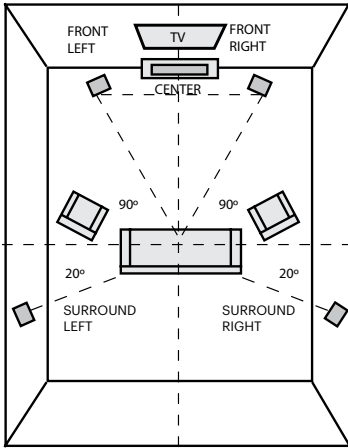
Note: You can add DM90 height modules or wall-mounted DM95 speakers to the 5 and 7-channel systems described below to enable a new dimension of immersion to your home theater experience when using Dolby Atmos, DTS:X, etc.

Listening in a 2-channel configuration



Get the most realistic stereo image by placing the speakers as far apart as the listeners are sitting from them. You may choose to experiment with the exact angle and distance of the speakers from the back wall. For more information, see page 20.

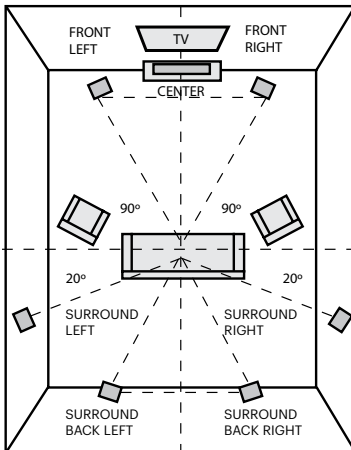
Listening in a 5-channel configuration



You can use DM95 speakers as rear surround speakers to create a home theater surround system. Ideal rear channel placement is along a side wall, slightly behind and above the listening position.

Note: If you cannot place rear surround speakers along the side walls, position them along the rear wall above the listening position.

Listening in a 7-channel configuration



Add more depth to your surround experience with four surround speakers instead of two.

Speaker Wiring

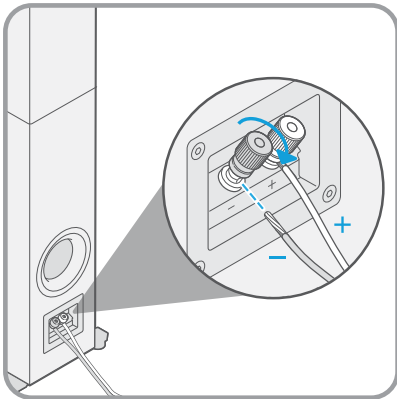
All of the Dymension series speakers use the same binding posts that can be unscrewed and then tightened to connect bare speaker wire. You can also attach a banana plug or spade connector to connect wire to the binding posts. See the next sections for wiring illustrations.

To connect bare speaker wire to the binding posts on your Dymension speaker:

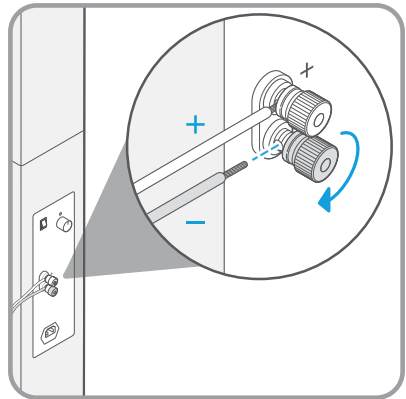
1. Strip about 3/8 in (10 mm) of insulation from two speaker wires.
2. Unscrew the binding posts.
3. Insert the wires through the binding posts.
4. Tighten the binding posts until secure.

Wiring the tower speakers

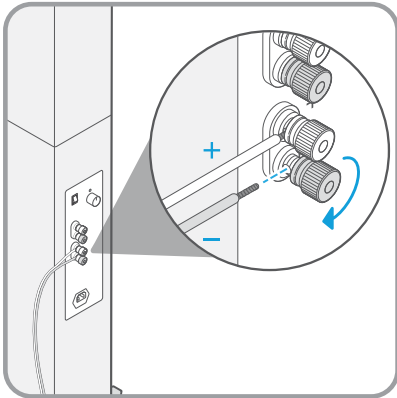
DM40



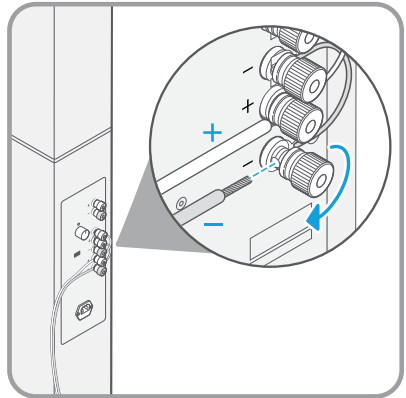
DM60



DM70



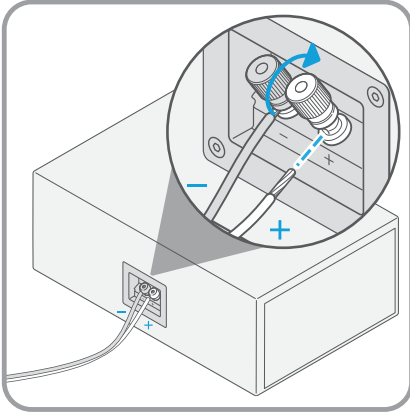
DM80



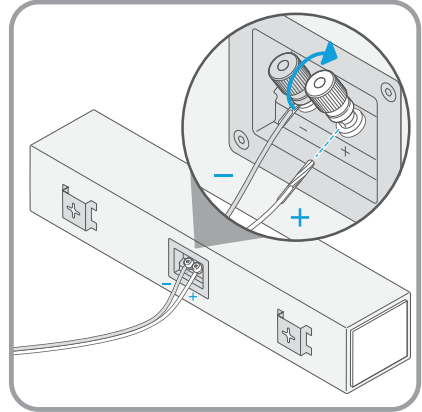
The DM70 and DM80 speakers come with more than one set of binding posts. As seen in the diagrams, the bottom pair of binding posts connect the main speaker array. The top pair of binding posts are used to connect a DM90 height module to your receiver. For more information about the other binding posts and wiring options for DM80, see page 27.

Wiring the center and surround speakers

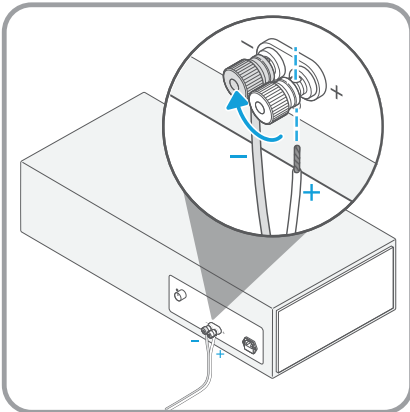
DM10



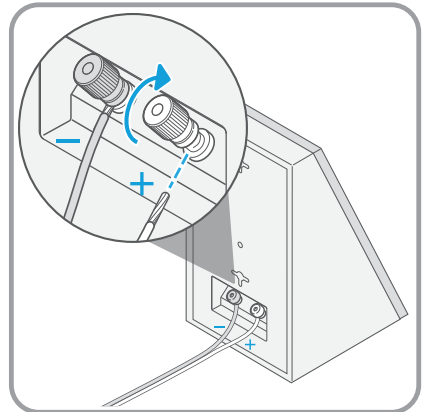
DM20



DM30



DM95

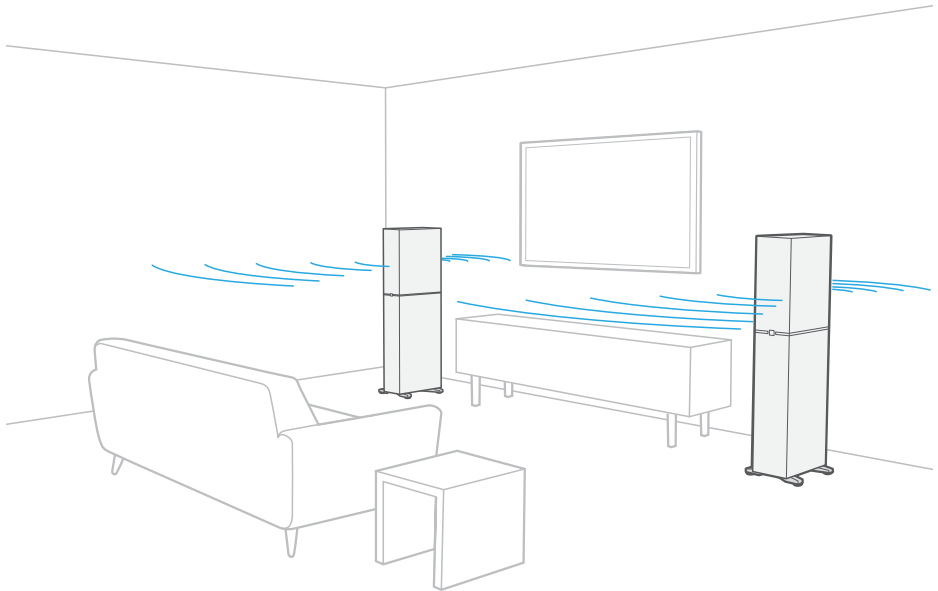


The Rear Speaker Array

The Dymension tower speakers each come with a rear speaker array. These speakers can be adjusted down if there is too much spatial effect. DM70, DM60, and DM40 use a switch to adjust the level of the rear tweeter. DM80 uses a jumper cable to attenuate the entire array.

How does the rear array work?

The tower loudspeakers have speakers firing forward and rearward in what's known as a bipolar array. This enhances spaciousness and immersion by directing more energy into the room than a typical loudspeaker does. Below is an illustration of this sound radiation pattern.



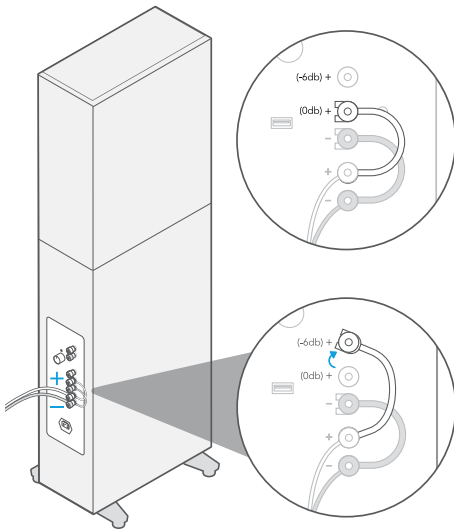
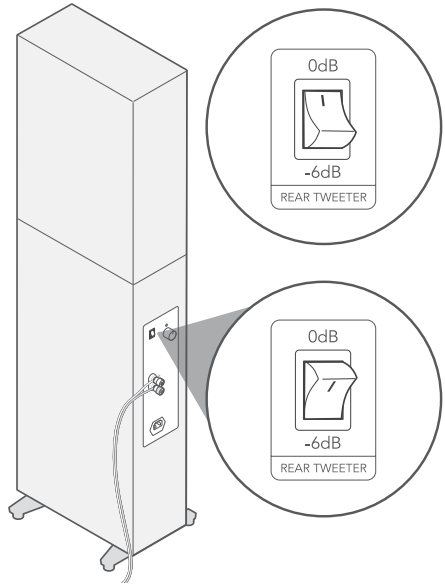
The amount of increased ambience and immersion can be adjusted if desired in several ways.

To adjust the spatial effect from the rear array:

- Move the speakers farther from or closer to the wall. The closer to the wall, the stronger the contribution from the rear speakers will be.
- Toe in the speakers or align them parallel with the wall. More toe-in will decrease the contribution from the rear speakers.
- Switch the rear array between 0dB (full bi-polar) mode or -6dB (forward-focused) mode. See the next page for more information.

Adjusting the rear array setting

DM40, DM60, and DM70: Flip the rear tweeter switch on the back of the speaker to switch between 0dB (full bi-polar) and -6dB (forward focus) mode on the rear tweeter.



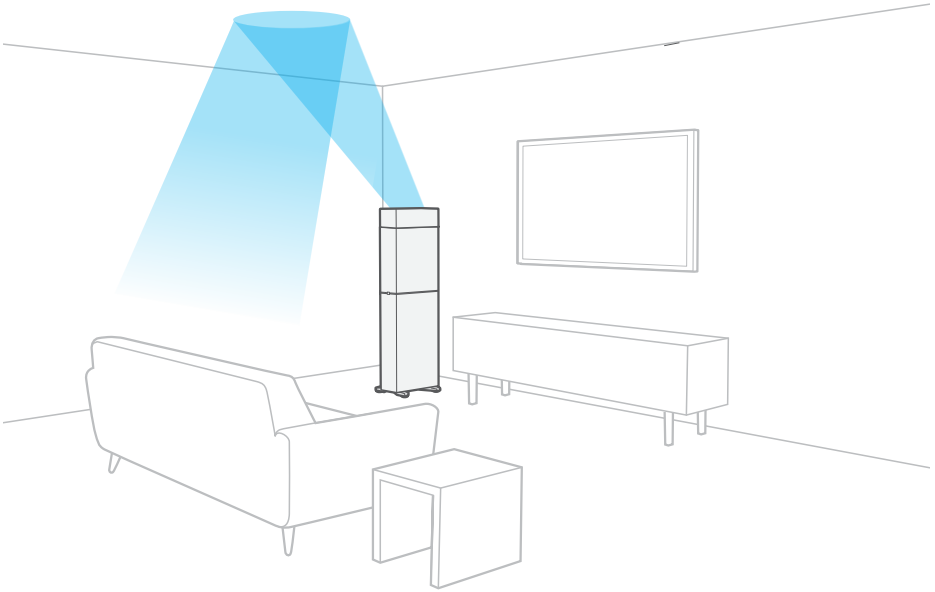
DM80: Move the top red jumper cable between the 0dB (default) and -6dB binding posts to switch between full bi-polar and forward-focused mode. The full-bipolar wiring configuration is the default mode, whereas the forward-focused configuration is the -6dB option. See page 27 for additional wiring configuration options.

Installing Height Speakers

The Dymension Series offers two ways to add height channels to your speaker system—connect DM90 height speakers to your tower speakers or install DM95 surround speakers.

Installing DM90 speakers

You can add a DM90 height speaker to your DM80 or DM70 tower speaker. The height speaker bounces sound off your ceiling and back toward your listening area to achieve additional audio immersion.

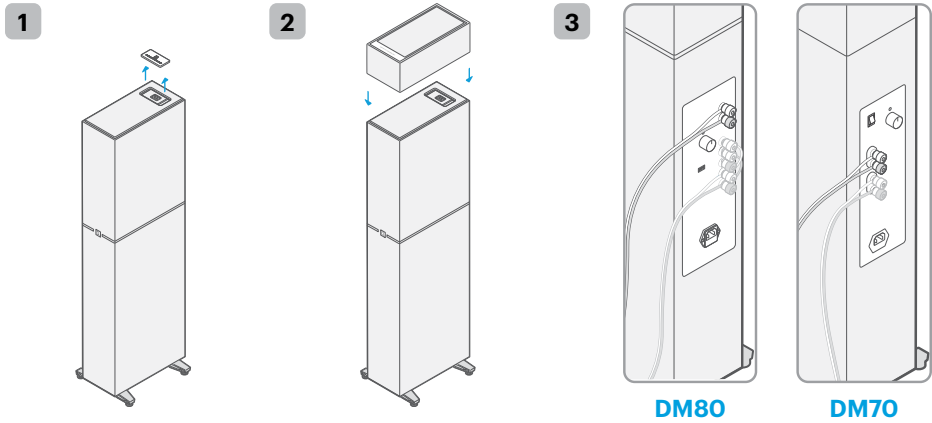


Note: The height speaker module requires a Dolby Atmos/DTS:X-enabled receiver and is maximized by Dolby Atmos/DTS:X-encoded source material. Visit www.dolby.com or www.dts.com for more information on available titles.

To achieve the best Dolby Atmos or DTS:X experience possible:

- Your ceiling should be flat.
- Your ceiling material should be acoustically reflective (examples include drywall, plaster, hardwood, or other rigid material that doesn't absorb sound).
- The ideal ceiling height is between 7.5 and 12 feet.
- The ceiling height should be no higher than 14 feet.

To attach a DM90 height-channel speaker to your DM70 or DM80 tower speaker:



1. Remove the top plate from the tower speaker by pushing down on the right side and then pulling up and removing the plate.
2. Align the DM90 speaker with the top of the tower speaker and place it firmly onto the speaker making sure the connector on the bottom of the DM90 is seated into the tower.
3. Connect additional speaker wires from the height channel speaker outputs of your AVR to the **Height Input** binding posts on the tower.
Note: See the Quick Start Guide that came with your DM90 speakers for specific wiring instructions.
4. Make sure to properly adjust your AVR's speaker configuration to support the number of height speakers you are adding.

Installing DM95 speakers

You can also mount DM95 speakers on your ceiling to create height channels for Dolby Atmos. See page 15 for positioning information before you install the speakers.

To install DM95 speakers as height-channel speakers:

1. Mount the speaker on your wall. The ideal speaker placement is dependent on environment and personal preference. Review the included wall-mounting template for mounting help.
2. Connect speaker wires to the DM95 speaker.
Note: See the Quick Start Guide that came with your DM95 speakers for specific wiring instructions.
3. Connect the other ends of your speaker wires to your receiver or amplifier. Be sure to connect positive binding posts to positive binding posts, and negative to negative.
4. Adjust the settings on your amplifier, then listen to Dolby Atmos or DTS:X content to test the speaker sound and volume.

Settings and Configuration

Receiver recommendations

Playing Dolby Atmos or DTS:X content

You can take full advantage of the Dymension sound technology by playing or streaming content that is Dolby Atmos or DTS:X encoded.

Note: Reference your receiver/processor owner's manual for complete directions, or visit our website.

Follow one of two options to play or stream content:

- You can play Dolby Atmos or DTS:X content from a Blu-ray Disc through an existing Blu-ray Disc player. Be sure you have a player that's fully compliant with Blu-ray specifications.
- You can stream content from a compatible streaming media player, game console, or Blu-ray player.

Note: You must be subscribed to the correct streaming service tier to unlock Dolby Atmos compatibility. Please check with your streaming service provider (Netflix, Amazon Prime, etc). DTS:X is not currently available on any streaming platform.

In both cases, be sure to set your player to the correct bitstream output.

Note: Dolby Atmos and DTS:X are compatible with the current HDMI® specification (v1.4 and later). For more information, visit www.dolby.com or www.dts.com.

Adjusting your receiver settings

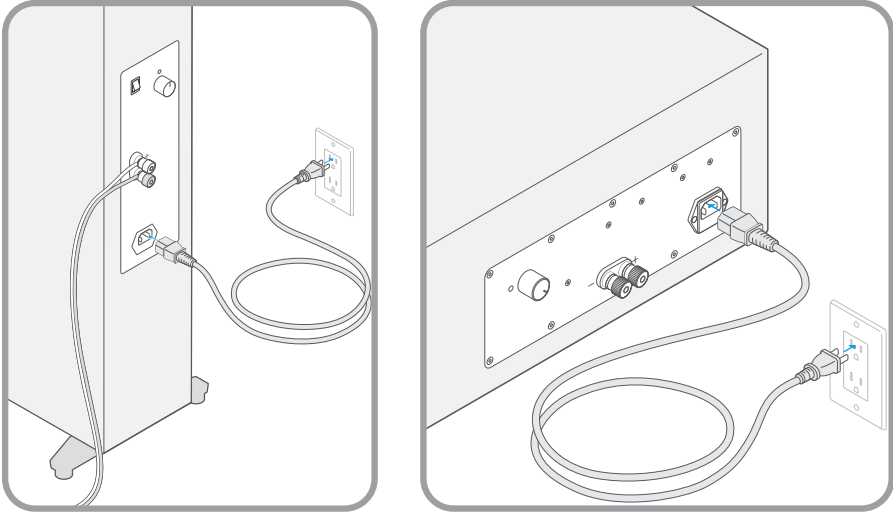
Use the speaker setup functions in your receiver or processor to set speaker configuration, speaker distance and channel balance. Consult your receiver/processor documentation to learn how to access and use the setup menus.

Adjusting the integrated subwoofer

Intelligent Bass Control™

Intelligent Bass Control™ gives you the ability to adjust deep bass up or down in level while simultaneously maintaining optimal mid-range clarity regardless of where the bass control is set. Rotate the knob on the back of the loudspeaker to your preferred bass setting, and the speaker will do the rest of the work. That's it. We recommend starting at the mid-point and adjust to your preference from there.

Powering the active subwoofer



The DM80, DM70, DM60, and DM30 speakers contain built-in powered subwoofers that must be plugged into an electrical socket.

Bass management

When using your Dymension speakers with a receiver or processor employing bass management, make sure to adjust the bass management settings.

To employ the integrated subwoofers in your Dymension DM30, DM60, DM70 or DM80 speakers, set the speakers to “Large” or “Full Range.” If you want to add an additional subwoofer to the Dymension integrated subwoofer, adjust the bass management settings to your preference. See your amplifier or AVR documentation for more information.

DM40: Set the speaker to “Large” or “Full Range” if you are not using an external subwoofer. If you are using an external subwoofer, set a crossover point that is compatible with your subwoofer.

Crossover points

These are recommended nominal crossover points. Crossover points above or below these might work better in certain situations. Experiment with values +/-20Hz from the nominal to find the best results.

Speaker	Crossover Point
DM10	80 Hz
DM20	90 Hz
DM30	60 Hz
DM40	60 Hz
DM80, DM70, DM60	None; if using an external subwoofer, set to taste, usually not higher than 80 Hz
DM90	120 Hz
DM95	120 Hz

Back-panel status light

The back-panel status light indicates the status of the integrated amplifier on DM80, DM70, DM60, and DM30. These speakers have a signal detection feature that turns on the integrated amplifier only when a signal is present. The status light on the back will turn from red to blue when a signal is sensed. After the cessation of a signal, it may take up to 20 minutes for the amplifier to return to standby. The amplifier draws little power when idle. See below for descriptions of each behavior.

Solid red: The integrated amplifier is in standby mode and is waiting to receive a signal from your amplifier or receiver.

Solid blue: The integrated amplifier is on. It is receiving a signal from your external amplifier or receiver and is outputting audio.

Blinking red: The integrated amplifier is in protect mode. Please discontinue use of the product and contact customer service.

Off: The integrated amplifier is not receiving power.

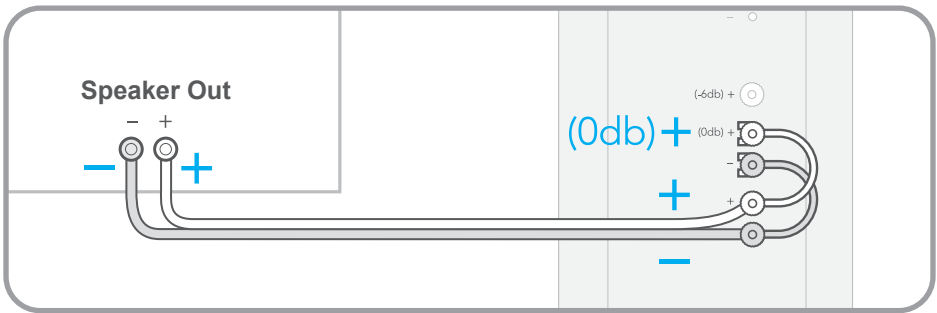
DM80 Wiring Configurations

You can take advantage of seven different wiring configurations for your DM80 tower speakers. This includes full bi-polar or forward-focused configurations for standard wiring, bi-wiring, and bi-amping. Any wiring configuration can be used, depending on your speaker setup, room environment, and personal listening preferences. Refer to the illustrations and descriptions for specific wiring help.

Standard wiring options

Standard wiring | Bi-polar

Connect speaker wires from an output on your amplifier or AVR to the **Speaker Input** binding posts on the speaker. The red and black jumpers are connected to the full bi-polar binding posts at the factory. Leave them in place as shown.



Standard wiring | Forward focused

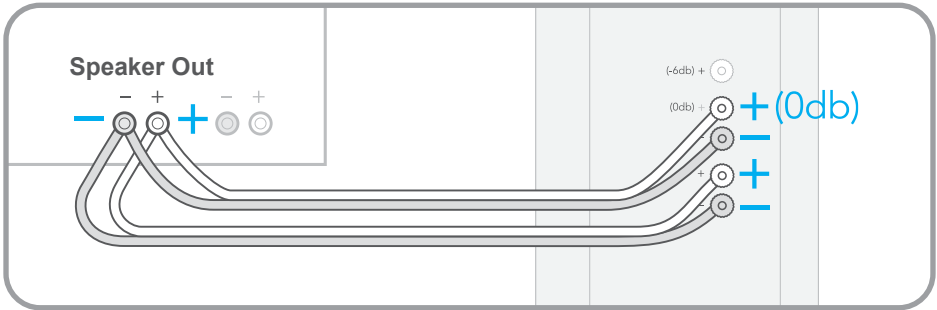
Connect speaker wires from an output on your amplifier or AVR to the **Speaker Input** binding posts on the speaker. Move the red jumper cable from the **0dB Rear Input** binding post to the **-6dB Rear Input** binding post.



Bi-wiring options

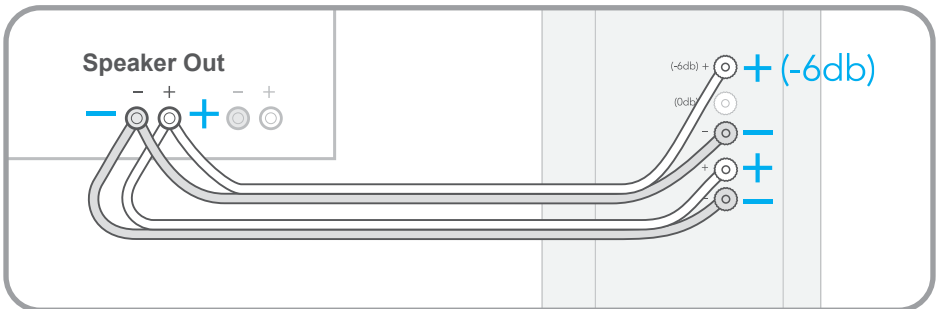
Bi-wiring | Bi-polar

Remove both jumper cables. Connect speaker wires from an output on your amplifier or AVR to the **Speaker Input** binding posts on the speaker. Connect negative speaker wires from the negative amplifier binding post to the negative **Rear** and **Speaker Input** binding posts. Similarly, Connect the positive speaker wire to the positive (red) rear (0db) and speaker input binding posts. Be sure to connect positive red binding posts to positive binding posts and negative to negative.



Bi-wiring | Forward focused

Remove both jumper cables. Connect speaker wires from an output on your amplifier or AVR to the **Speaker Input** binding posts on the speaker. Connect negative speaker wires from the negative amplifier binding post to the negative **Rear** and **Speaker Input** binding posts. Similarly, Connect the positive speaker wire to the positive (red) rear (6db) and speaker input binding posts. Be sure to connect positive red binding posts to positive binding posts and negative to negative.

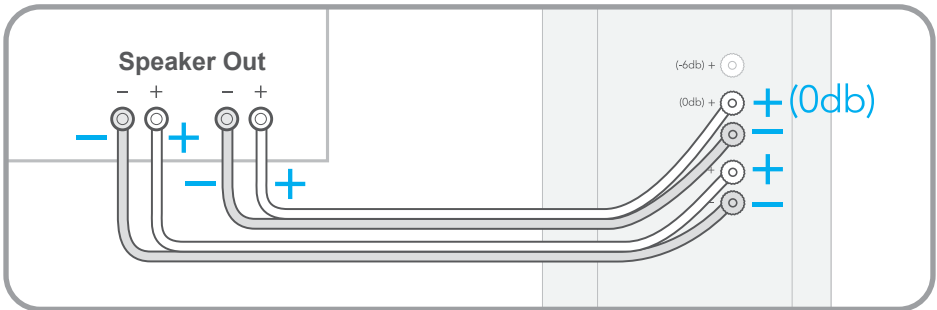


Bi-amping wiring options

Note: All bi-amping configurations can also be done using a second amplifier or AVR.

Bi-amping | Bi-polar

Remove both jumper cables. Connect speaker wires from one output on your amplifier or AVR to the **Speaker Input** binding posts on the speaker. Connect speaker wires from the bottom two **Rear Input** binding posts on the speaker to a different set of binding posts designated for bi-amp output on your amplifier or AVR. Be sure to connect positive red binding posts to positive binding posts and negative to negative. The two **Rear Input** and **Speaker Input** binding posts should have equivalent signals. Enable the bi-amp setting on your amplifier AVR.



Bi-amping | Forward focused

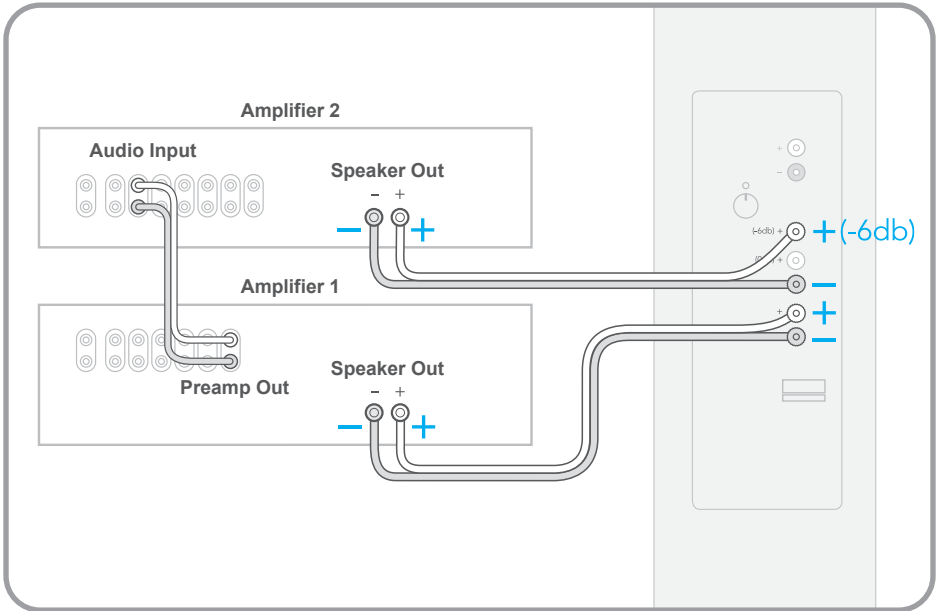
Remove both jumper cables. Connect speaker wires from one output on your amplifier or AVR to the **Speaker Input** binding posts on the speaker. Connect speaker wires from the top and bottom **Rear Input** binding posts on the speaker to a different set of binding posts designated for bi-amp output on your amplifier or AVR. Be sure to connect positive red binding posts to positive binding posts and negative to negative. The two **Rear Input** and **Speaker Input** binding posts should have equivalent signals. Enable the bi-amp setting on your amplifier AVR.



Bi-amping | Variable bi-polar

Remove both jumper cables. Connect negative speaker wires from the negative amplifier binding post to the negative **Rear** and **Speaker Input** binding posts. Similarly, Connect the positive speaker wire to the positive (red) rear (0db) and speaker input binding posts. Connect a pair of interconnect cables between the **first** amplifier or AVR pre-outs and the **second** amplifier or AVR amp-in inputs. Be sure to connect positive red binding posts to positive binding posts and negative to negative.

Note: To adjust the level of the rear array, use the volume controls on the second amplifier or AVR. If that is not available, connect an attenuator between the first and second amplifier or AVR.



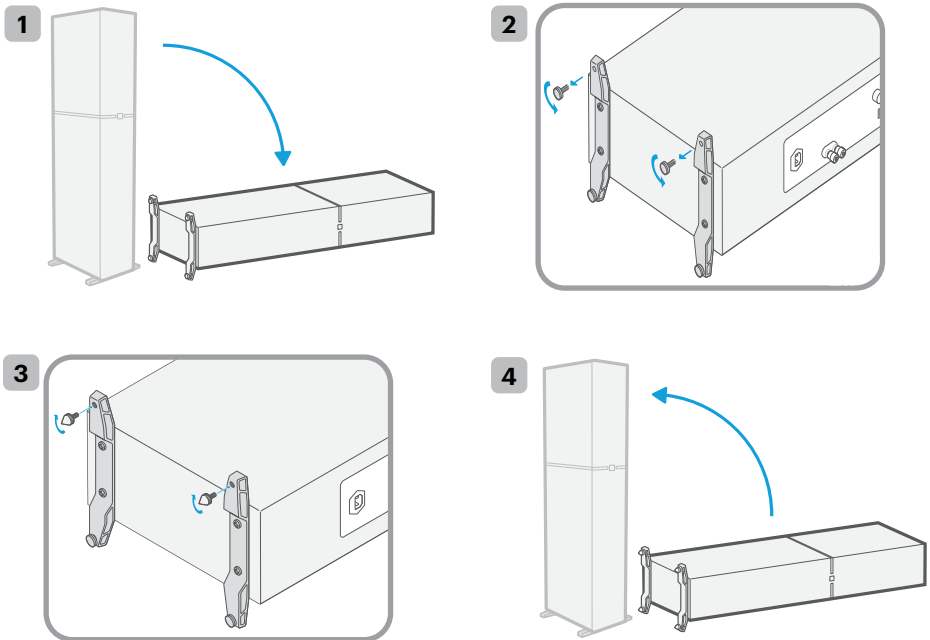
Speaker Feet Pads and Spikes

Dimension tower speakers come pre-installed with a set of foot pads that can be screwed on and off. Keep these pads on the speaker if you place it on a hard surface, such as hardwood, concrete, tile, etc. If you place the speaker on carpet, we recommend that you install the included carpet spikes.

We recommend that you install carpet spikes before you unbox the speaker. However, if you've already unboxed the speaker, you can still install the spikes.

Note: We don't recommend that you attempt to lift the speaker and install carpet spikes by yourself. If possible, work with a partner.

To install carpet spikes after unboxing the speaker:



1. Lay the speaker on its side.

Note: If there is a DM90 height module on your speaker, remove it before laying the speaker down on its side.

2. Unscrew and remove the two feet that are facing up.

3. Remove the lock rings from the feet.

4. Screw two carpet spikes into place with the lock rings attached.

5. Rotate the speaker to its other side and repeat steps 2 and 3.

6. Lift the speaker upright.

7. Adjust the spikes as needed until the speaker is level and resting on all four spikes.

Tips and Troubleshooting

If you experience any difficulties with your speakers, try the suggestions below. If you still have problems, contact your Definitive Technology Authorized Dealer.

There is audible distortion when the speakers play at loud levels.

Audible distortion when the speakers are playing at loud levels is caused by turning up your receiver or amplifier louder than the receiver or the speakers are capable of playing. Most receivers and amplifiers put out their full-rated power well before the volume control is turned all the way up, so the position of the volume control is a poor indicator of their power limits. If your speakers distort when you play them loudly, turn the volume down.

I can't hear the bass on my speakers.

Make sure all your system interconnects and power cords are solidly in place. Check that the status light is blue to confirm whether the integrated amplifier is on and receiving a signal. For more information, see page 26.

If you experience a lack of bass, it is likely that one speaker is out of phase (polarity) with the other and needs to be rewired to connect positive to positive and negative to negative on both channels. Most speaker wire has some indicator on one of the two conductors to help you maintain consistency. You may also experience lack of bass if the bass volume knob is turned too far down. Try turning up the volume.

I hear a hum or unusual noise coming from the speakers.

Should you hear a hum or noise coming from your speakers, try plugging the speakers' power cords into a different AC circuit.

The speakers turned off on their own.

The system has sophisticated internal protection circuitry. If for some reason the protection circuitry trips, turn off your system and wait five minutes before trying the system again. If the speakers' built-in amplifier should overheat, the system will turn off until the amplifier cools down and resets.

If your speakers turn off on their own, check to be sure that:

- Your power cord has not been damaged.
- No foreign objects or liquid has entered the speaker cabinet.
- The speaker cables are properly installed.

If you cannot get the subwoofer driver to turn on or if no sound comes out and you are sure the system is set up properly, please bring the loudspeaker to your Definitive Technology Authorized Dealer for assistance (be sure to call first).

The status light on the back of my speaker is blinking red.

If the status light is blinking red, the integrated amplifier is in protect mode. Please discontinue use of the product and contact customer service by visiting <https://support.definitivetechology.com/>. For more information about the status light, see page 26.

How can I request service or warranty repairs?

Service and warranty work on your Definitive loudspeakers will normally be performed by your local Definitive Technology dealer. For more information, visit <https://support.definitivetechology.com/>.

Trademark Information

DEFINITIVE TECHNOLOGY DYMENSION™

©Copyright 2023 Definitive Technology, LLC. All Rights Reserved. Definitive Technology and What Obsession Sounds Like are registered trademarks of Definitive Technology, LLC. Intelligent Bass Control, Definitive Technology Dymension, Dymension DM80, Dymension DM70, Dymension DM60, Dymension DM40, Dymension DM30, Dymension DM20, and Dymension DM10 are trademarks of Definitive Technology, LLC.

Dolby Atmos

Dolby, Dolby Atmos, and the double-D symbol are registered trademarks of Dolby Laboratories Licensing Corporation. Manufactured under license from Dolby Laboratories. Copyright © 2012-2021 Dolby Laboratories. All rights reserved.

For DTS patents, see <http://patents.dts.com>. Manufactured under license from DTS, Inc. DTS, DTS:X, Virtual:X, and the DTS:X logo are registered trademarks or trademarks of DTS, Inc. in the United States and other countries. © 2020 DTS, Inc. ALL RIGHTS RESERVED.

DYME₃NSION™

Share Photos | Partager Des Photos | Compartir Fotos



#Dymension

Sound United, LLC
5541 Fermi Court
Carlsbad, CA 92008
U.S.A

EU Contact:
Sound United Europe,
A division of D&M Europe B.V.
Beemdstraat 11, 5653 MA
Eindhoven, The Netherlands

UK Importer:
D&M Audiovisual Ltd.
Dale Road, Worthing,
West Sussex
BN11 2BH United
Kingdom

HBP5046