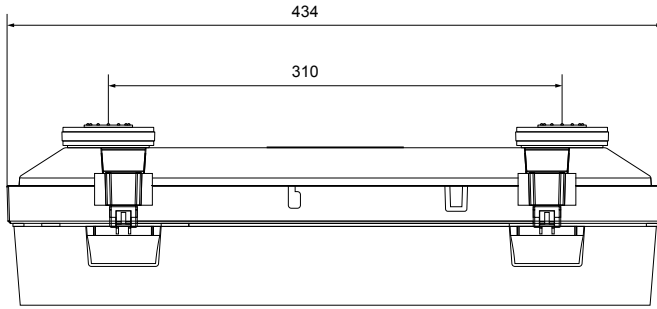
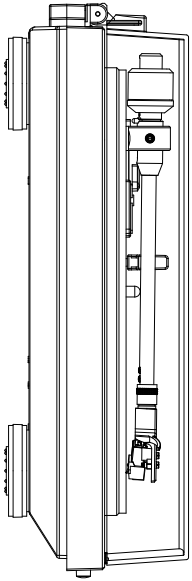


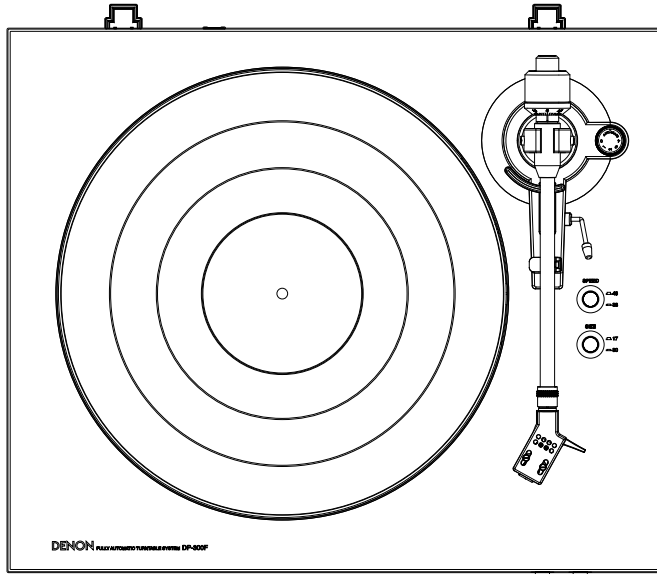
# Model: DP-300F



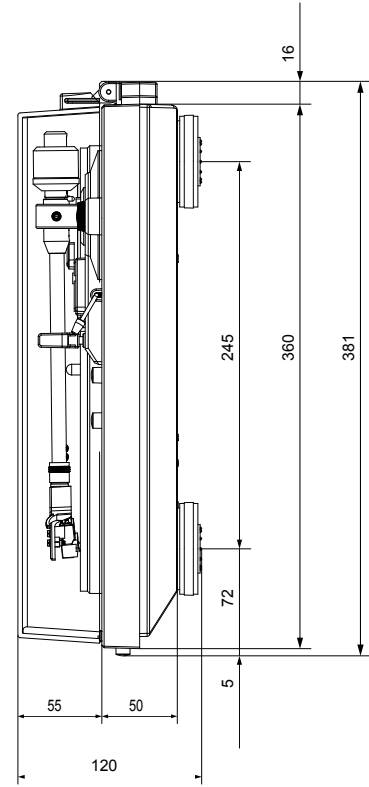
REAR VIEW



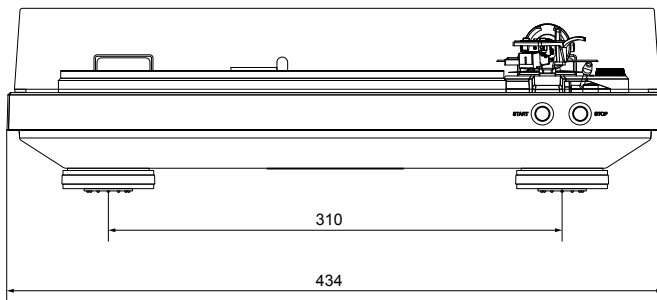
LEFT SIDE VIEW



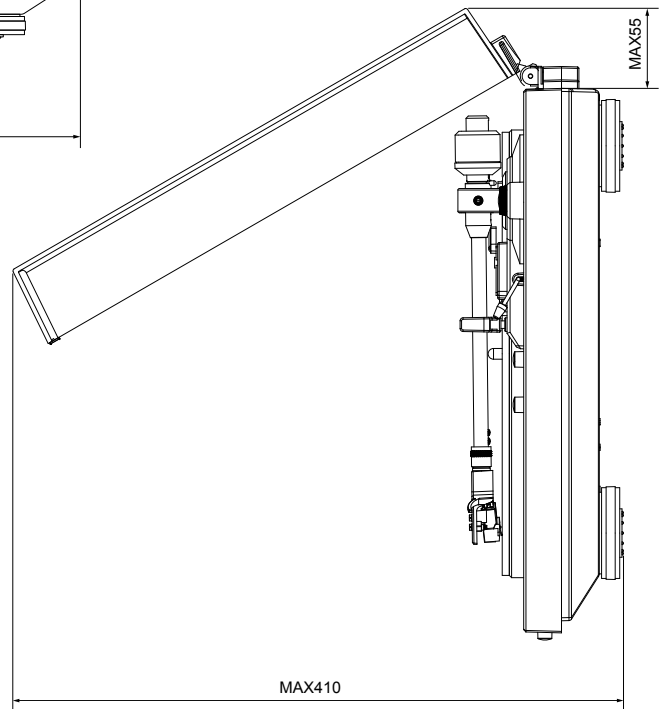
TOP VIEW



RIGHT SIDE VIEW



FRONT VIEW



DUST COVER OPEN