



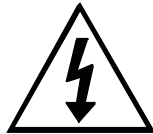
INSTALLATION MANUAL

Recessed In-Ceiling Motorized Projection Screen

Important Safety Precautions and Warnings

Warning: To reduce the risk of fire or electric shock, do not expose this apparatus to rain or moisture.

1. Read and understand all instructions before using.
2. Do not use this apparatus near water.
3. Clean the screen housing only with a dry cloth.
4. Do not block any ventilation openings. Install according to manufacturer's instructions.
5. Do not install near any heat sources such as radiators, heat registers, stoves or other apparatus (including amplifiers) that produce heat.
6. Care must be taken as burns can occur from touching hot parts.
7. Do not operate appliance with a damaged cord or if the appliance has been dropped or damaged - until it has been examined by a qualified
8. Position the cord so that it will not be tripped over, pulled, or contact hot surfaces.
9. If an extension cord is necessary, a cord with a current rating at least equal to that of the appliance should be used. Cords rated for less amperage than the appliance may overheat.
10. To reduce the risk of electric shock, do not disassemble this appliance, but take it to a qualified serviceman when service or repair work is required. Incorrect reassembly can cause electric shock when the appliance is used subsequently.
11. The use of an accessory attachment not recommended by the manufacturer may cause a risk of fire, electric shock, or injury to persons.
12. SAVE THESE INSTRUCTIONS.



The lightning flash with arrowhead symbol, within an equilateral triangle, is intended to alert the user to the presence of uninsulated dangerous voltage within the product's enclosure that may be of sufficient magnitude to constitute a risk of electric shock to persons.



The exclamation point within an equilateral triangle is intended to alert the user to the presence of important operating and maintenance (servicing) instructions in the literature accompanying the appliance.



Before unpacking the projection screen, read the entire manual to become familiar with the steps involved for installation and operation. Dragonfly is not responsible for any damage or injury that occurs from incorrect installation or operation.

1. Introduction

Thank you for purchasing a Dragonfly™ Motorized Projection Screen. Designed to be easy to operate, reliable, and hidden away when not in use, this screen is guaranteed to provide years of maintenance-free operation and enjoyment.

These screens feature several convenient mounting methods, can be controlled manually or automatically by a control system or projector, and are fully adjustable. The screen material includes a black, light-proof backing and optional adjustable tension tabs along each side to keep the screen perfectly flat during use.

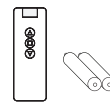
2. Package Contents



1x Projection
Screen



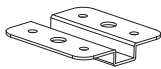
End Caps (2)



1x RF Remote



IR Receiver



Ceiling Brackets
(2)



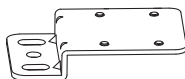
M6 Concrete/
Wood
Ceiling Bolts (8)



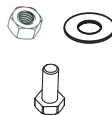
Mounting Anchors
(8)



RJ12 Control
Cable 10' (1)



Housing Z Brack-
ets (2)



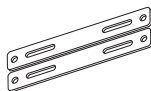
Mounting Bracket
Hardware (8 each)



M10 Washers for
Threaded Rod (16)



DC 12V Trigger
Cable 33' (1)



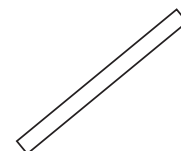
Housing Flat
Brackets (2)



1 Meter M10
Threaded Rod (4)



M10 Nuts for
Threaded Rod (16)



Housing Door
Panel (1)

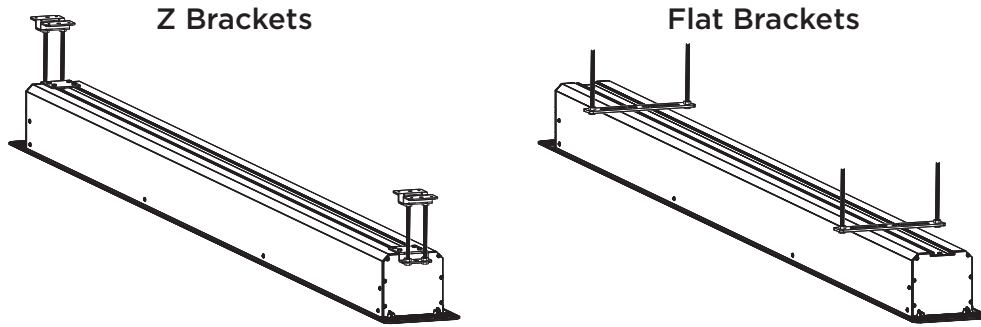
Not pictured: Electrical junction box and power cable (attached to housing)

3. Installation



Important! Before installation, ensure that the ceiling structure is capable of supporting the weight of the screen. Screen weights are listed in section, "7. Assembled Weights" on page 13.

Step 1. Determine the Mounting Method



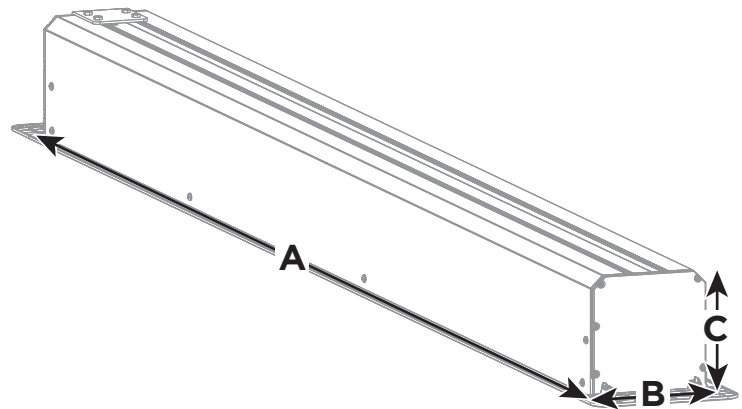
- **Z Brackets** - Used for all installations with new or existing permanent ceilings and when there is no access above the screen housing such as an attic or a crawl space.
- **Flat Brackets** - Used for installations with new ceiling and access above the screen at all times, such as a commercial tile ceiling, an attic, or a crawl space.

Step 2. Prepare the Ceiling Opening

Screen Housing Cutout

Use the chart to determine the opening size for the housing, then cut the ceiling surface.

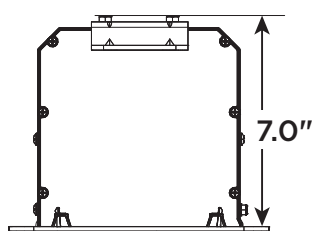
Type-Size	Length (A)	Width (B)
TAB-100"	112.53"	7.25"
TAB-110"	121.19"	7.25"
TAB-120"	130.05"	7.25"
TAB-130"	138.79"	7.25"
NTT-100"	103.28"	7.25"
NTT-110"	111.90"	7.25"
NTT-120"	120.50"	7.25"
NTT-130"	129.30"	7.25"



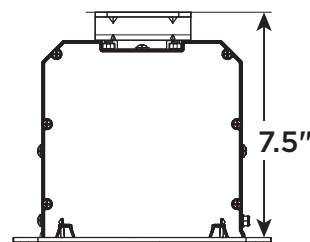
Height Clearance (C)

Dimensions measured from bottom of ceiling surface to top of screen housing including height of mounting bracket and hardware.

Z Bracket Down/Flat Bracket

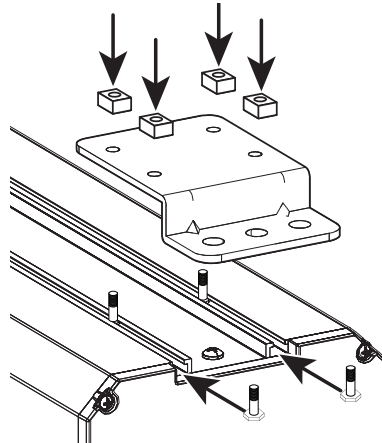


Z Bracket Up



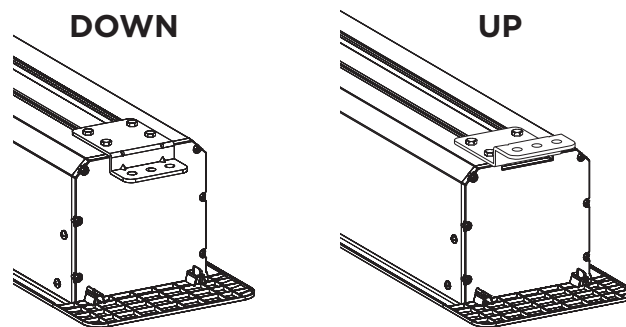
Step 3. Install the Mounting Brackets

The mounting brackets are secured using hardware that slots into the rails on top of the housing. Slide the bolts into the rail, position the brackets over the bolts, and tighten the nuts onto the bolts.



Z Bracket Installation

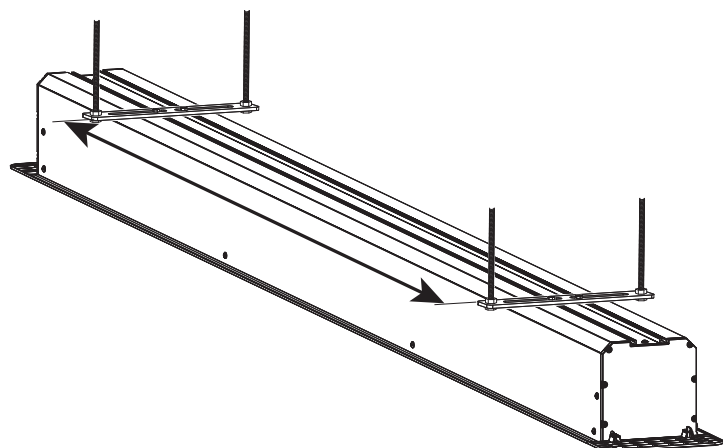
Point the brackets DOWN for threaded rod/suspended mounting or UP for direct ceiling mounting. If the brackets are installed facing UP, position the bend in the bracket flush with the edge of the screen housing.



Straight Bracket Installation

Install the brackets a minimum distance apart to prevent instability after hanging the screen housing. The brackets may be positioned off-centered as needed to fit the ceiling structure.

Size	Minimum Bracket Separation
100"	73.20"
110"	78.97"
120"	84.88"
130"	90.71"



Step 4. Install the Suspension Brackets/Hardware

This step may be skipped if threaded rod is NOT being used to suspend the screen.

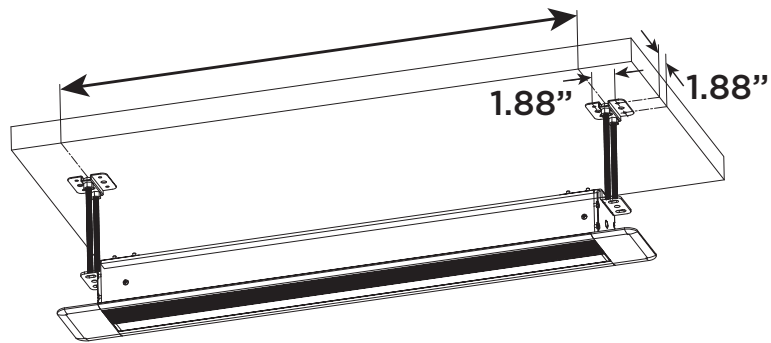


Important! The hardware used to mount the screen **MUST** be able to support the full weight of the installed assembly. Screen weights are listed in section, "7. Assembled Weights" on page 13.

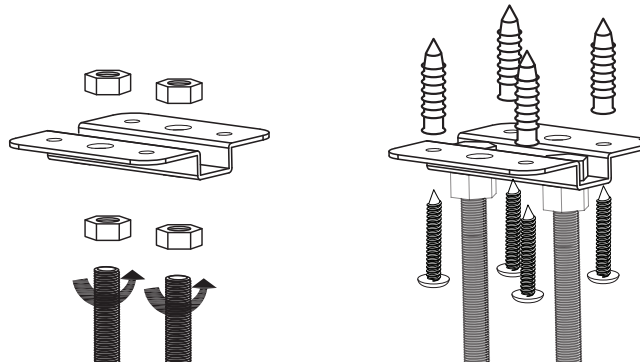
Threaded Rod Suspension with Z Brackets

Use the chart to determine the mounting locations of the included ceiling brackets.

Type-Size	Center-to-Center Bracket Distance
TAB-100"	111.10"
TAB-110"	119.80"
TAB-120"	128.50"
TAB-130"	137.24"
NTT-100"	101.65"
NTT-110"	110.35"
NTT-120"	119.06"
NTT-130"	127.80"

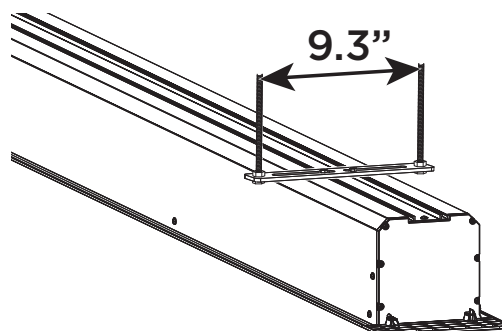


Assemble the threaded rod hanging assembly, then fasten the brackets to the ceiling. Use the included screws and anchors for wood or masonry mounting, or supply your own hardware rated for other ceiling surfaces. Use 2 pieces of threaded rod per side.



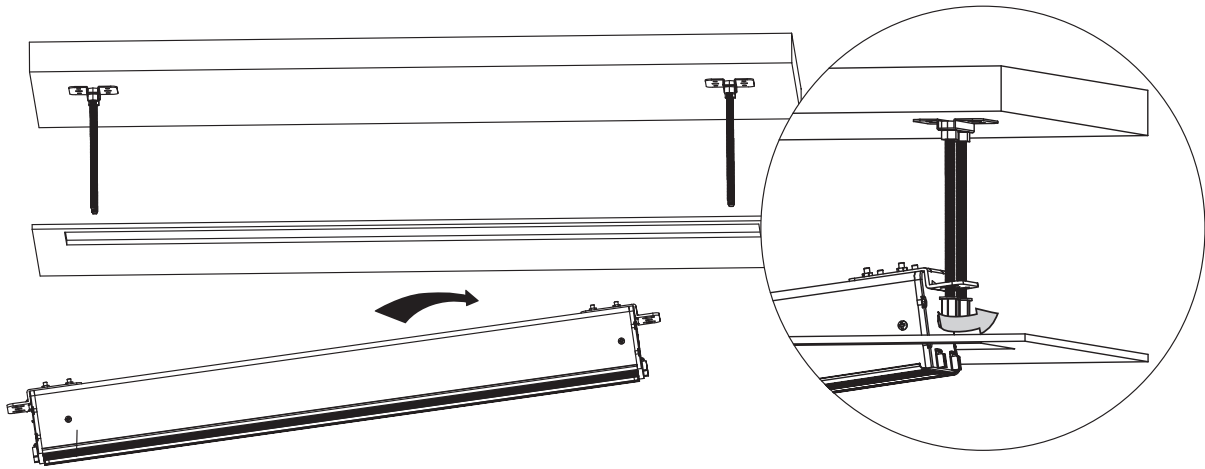
Threaded Rod Suspension with Z Brackets

Ceiling suspension hardware is not included for the flat brackets.



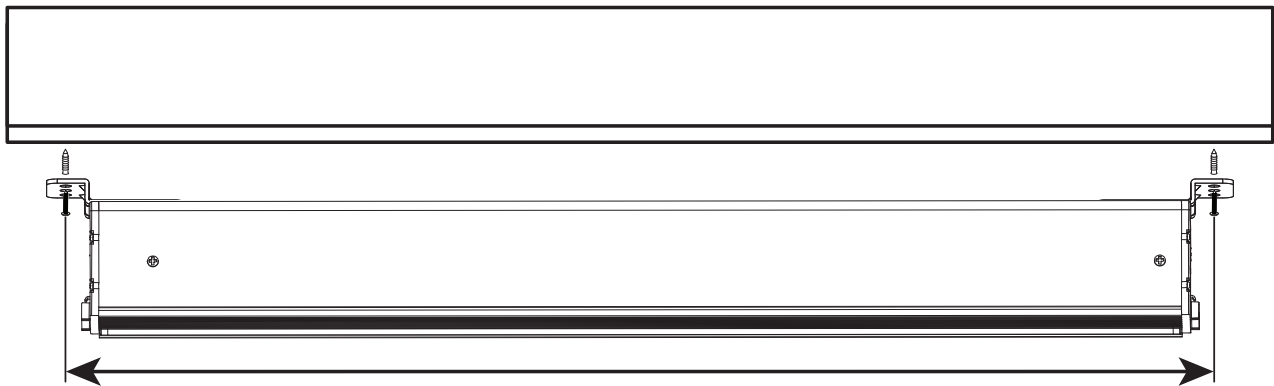
Step 5. Hang the Screen Housing

Hang the screen from the threaded rod one side at a time. Have assistants hold the screen in position on the rods, then thread a washer and a nut onto the rod. Use the nuts at the bottom of each rod to adjust the final height.



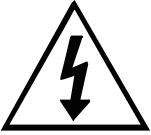
Wood Joist Hanging

Mark the ceiling for the fasteners using the chart below. Have assistants hold the screen in position, then fasten the assembly to the ceiling. Use the included screws and anchors for wood or masonry mounting, or supply your own hardware rated for other ceiling surfaces.



Type-Size	Center-to-Center Distance
TAB-100"	111.10"
TAB-110"	119.80"
TAB-120"	128.50"
TAB-130"	137.24"
NTT-100"	101.65"
NTT-110"	110.35"
NTT-120"	119.06"
NTT-130"	127.80"

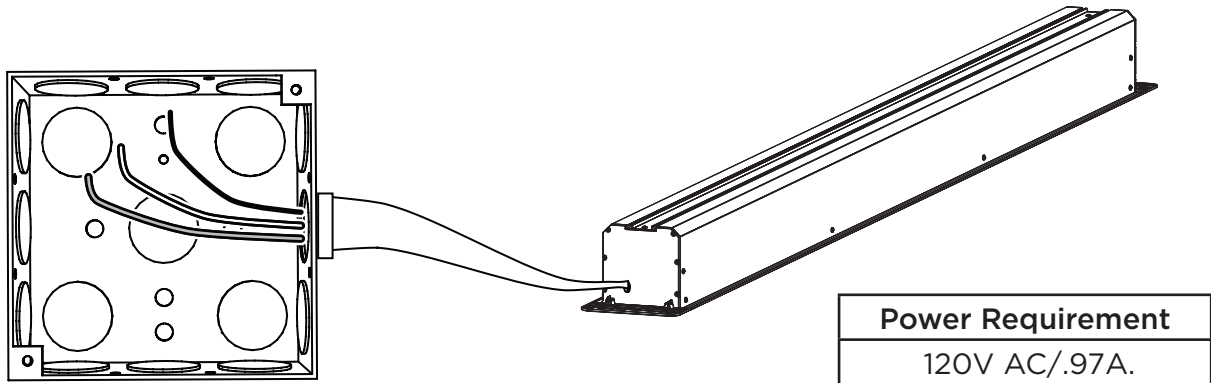
Step 6. Connect Power Wiring



Warning! To avoid serious injury or death, power off electricity to the branch power circuit at the breaker before connecting the screen wiring. High voltage electricity can damage the screen and cause permanent injury or death!



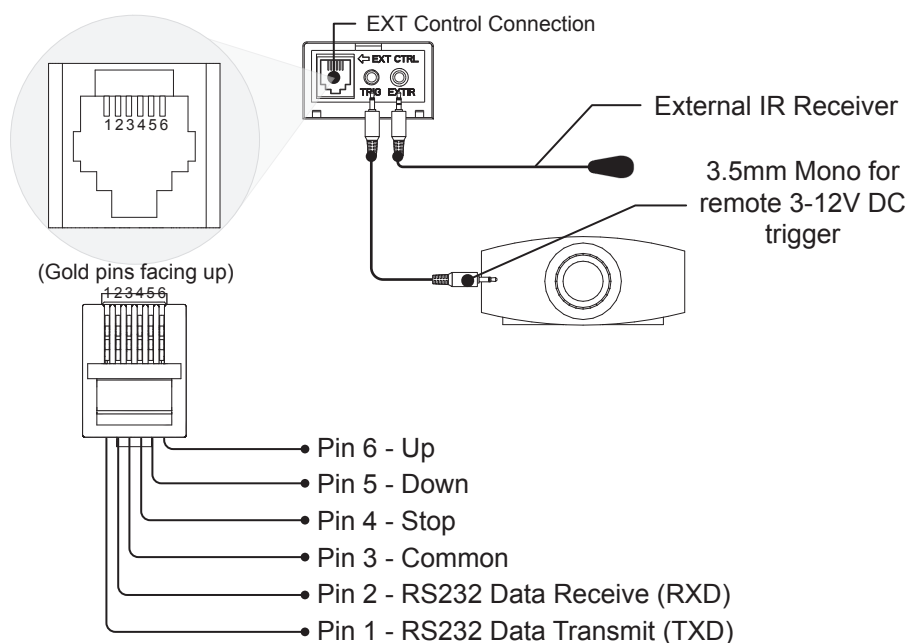
Important! The electrical wiring should be installed in accordance with local and national electrical codes. Only a licensed electrician should complete the work. All work should be approved by a licensed inspector.



1. Position and mount the attached power junction box. Do not kink the flexible conduit during installation.
2. Open the junction box and connect the branch wiring circuit conductors using approved wire nuts or connectors.

Color	Purpose
Black	To 120V AC Line
White	Neutral
Green	Ground

Step 7. Connect Control Wiring



RF Remote

Use the included remote for control of the screen from any direction. Remote uses AAA batteries, included. If your remote will not operate the screen after installation, it may need to be paired:

1. Find the RF PAIRING button inside the casing (far left side) and hold it down for 5 seconds, until the screen will drop approximately 1". Release the button.
2. Press and hold the RF PAIRING button for another 5 seconds.
3. After 5 seconds, also begin pressing the "UP" arrow on the remote. After an additional 5 seconds, the remote should be paired and the screen will move.

IR Receiver

Connect the included IR receiver to the EXT IR port for IR control up to 26ft away and at a maximum angle of 30°. Mount the receiver using the adhesive foam tape on the back. (Note: The included IR receiver is proprietary to Dragonfly projection screens. Other IR receivers will not work.)

3-12V DC Trigger

Connect the included 33 foot trigger wire from the TRIG port on the screen to the control out port on a compatible projector for automatic control based on the projector.

RS232 Serial Control

Use pins 1 and 2 on the EXT CTRL port for one-way control. See the DFM Motorized Screen Control Protocol for driver and command information, available on the product page support tab.

To connect wiring, either cut the included 10 foot RJ12 control cable and splice to the correct wires or terminate a cable using a 6P6C RJ11/12 connector.

Contact Closure/Relay Control

The Dragonfly motorized screen may also be controlled via contact closure or relay control. Momentarily short the COMMON wire to the UP, DOWN, or STOP wire for the desired operation. The screen will stop automatically once a limit is reached, or the STOP function may be used to stop at any desired position.

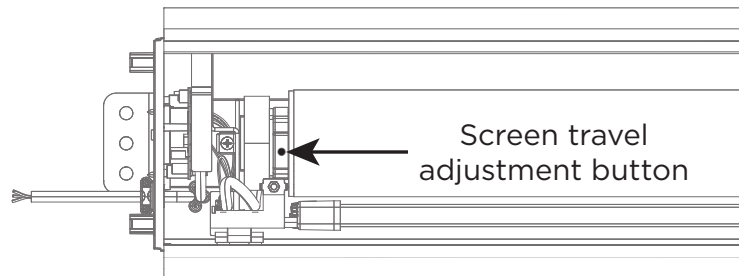
To connect wiring, either cut the included 10 foot RJ12 control cable and splice to the correct wires or terminate a cable using a 6P6C RJ11/12 connector.

Step 8. Adjust Screen Travel

Set the final height of the screen during use and the closed position of the screen when not in use. Limits are set using the RF remote and the limit adjustment button on the motor assembly.

Accessing the Adjustment Button

Open the access panel on the bottom of the housing by pulling down away from the magnets and sliding the panel away from the viewing area. The button is next to the edge of the screen material.



Open Limit Adjustments

1. Stand in reach of the screen adjustment button while holding the RF remote.
2. With the screen in the closed position, press the Down button on the RF remote.
3. Once the screen has traveled within 6 inches of the desired limit, press the adjustment button on the motor to stop the screen.
4. Press the button repeatedly to adjust the screen to the desired limit.
5. Once the screen is in the desired position, press the Up button on the RF remote. The setting is saved.



Closed Limit Adjustments

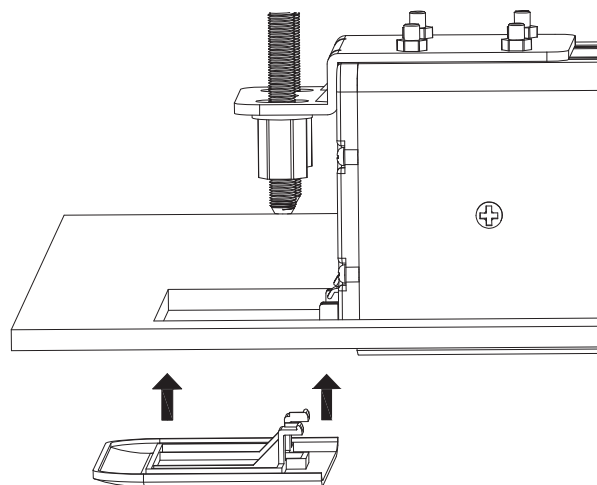
1. Stand in reach of the screen adjustment button while holding the RF remote.
2. With the screen in the open position, press the Up button on the RF remote.
3. Once the screen has traveled within 6 inches of the desired limit, press the adjustment button on the motor to stop the screen.
4. Press the button repeatedly to adjust the screen to the desired limit.
5. Once the screen is in the desired position, press the Down button on the RF remote. The setting is saved.



Note: Make sure to stop the screen using the adjustment button while there are several inches of screen still exposed. Allowing the screen to travel too far into the housing will cause the bottom bar to travel too far into the housing. If this occurs, remove the screen from the housing and unwrap the bottom bar enough to hang from the opening again.

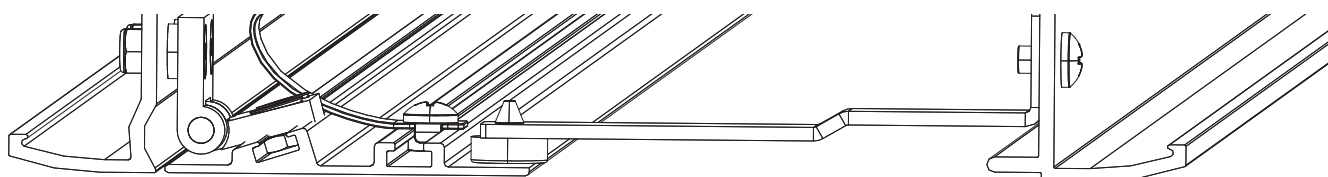
Step 9. Install the Trim Pieces

Install the end caps after the screen has been installed and leveled.

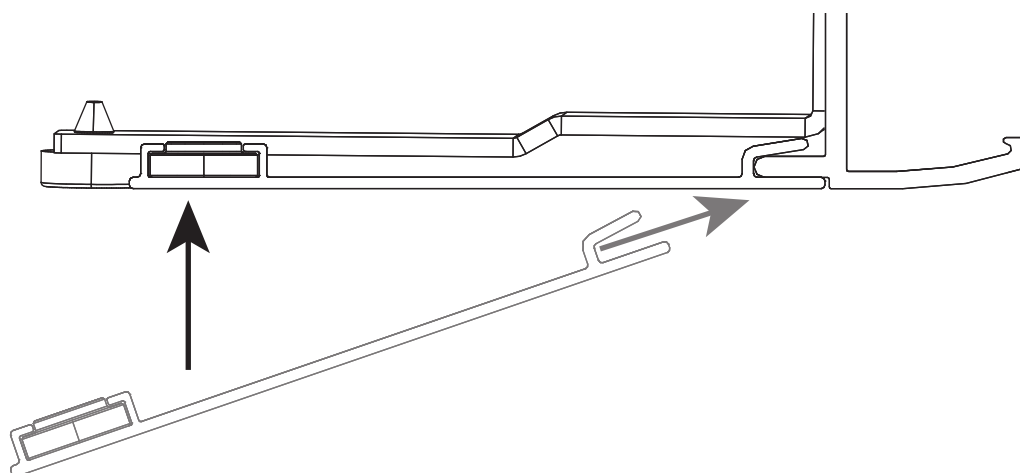


Step 10. Install the Fixed Panel

1. Begin with the screen completely retracted so that the hinged door is closed.
2. Ensure that the rubber stops on the magnetic brackets in the housing are resting against the hinged door when closed for proper alignment of both doors.



3. Lower the screen enough for the hinged door to open and fall out of the way.
4. Install the fixed panel by hooking the edge into the front of the housing, then pushing the panel up until the magnets attach it to the brackets.



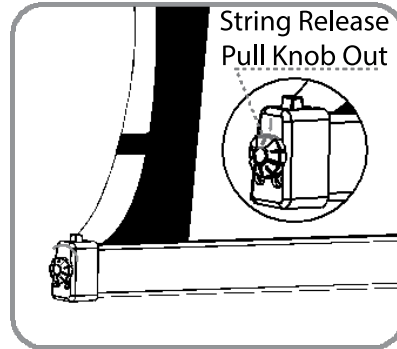
5. After installing the panel, retract the screen to the closed position and adjust as needed for flush appearance.

Step 11. Adjusting the Tab Tension Setting (TAB Models Only)

If the sides of the screen appear wavy or bent, the tab tension setting must be adjusted. Turn the adjustment knob on each side until both sides are even and flat.

To tighten the tabs, turn the adjustment knob CLOCKWISE.

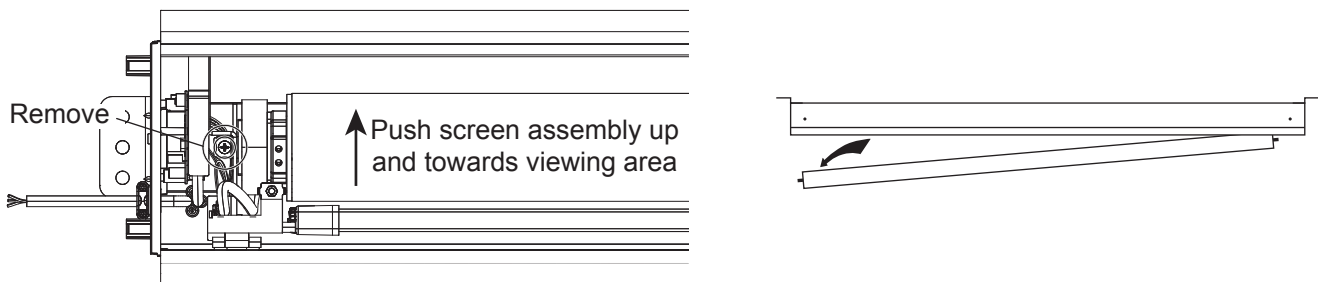
To loosen the tabs, turn the adjustment knob COUNTERCLOCKWISE.



4. Removing the Screen from the Housing (Optional)

The screen assembly can be removed from the housing to allow for painting the housing, for when the housing must be installed in advance, or to service the motor assembly without damaging the ceiling.

1. Begin with the screen lowered enough for the hinged panel to swing down and out of the way.
2. Remove the housing access panel by pulling down and away from the magnets. Carefully pull the panel away from the viewing area where the panel hooks into the housing.
3. Disconnect the wiring harness connector from the motor assembly (connector facing down, attached to bracket).
4. Remove the retaining screw.
5. Move the assembly over and then down, taking care not to let the opposite end fall out of the housing.
6. Store the assembly in a safe place to avoid damage.



5. Cleaning the Screen

Follow these guidelines to clean any marks or residue from the viewing surface:

- Do not clean the screen case with water.
- Use a dry cloth to clean dust and dirt from the housing and screen on regular occasions.
- To clean the screen material, use warm soapy water and a soft cotton cloth only. Never use chemicals or abrasives to avoid damaging the surface of the material, which affect the viewing quality of your screen.

6. Troubleshooting

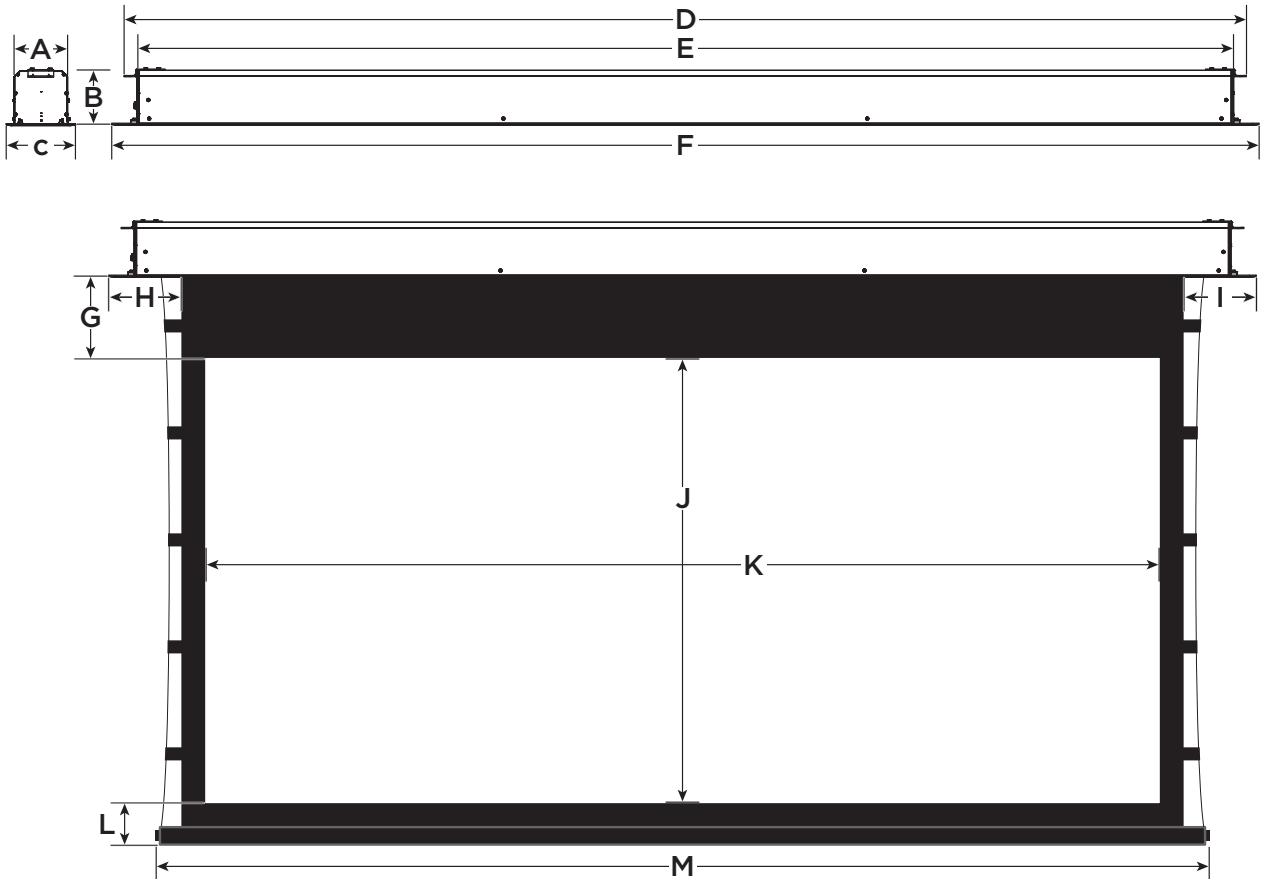
Dragonfly screens are designed to function trouble-free for years of enjoyment. Most problems occur due to simple issues. If you have trouble, check the installation while reviewing all instructions. Some of the most common issues and solutions are also listed below.

Issue	Solution
Screen does not react to any form of control.	<ul style="list-style-type: none"> • If the screen is repeatedly reversed while in motion, it may stop moving and reacting to any control method. This is a safety feature that keeps the motor from overheating. If this occurs, stop testing for about 5 minutes, then resume. • Check the film screen power connection. Use a voltmeter to check for power and that polarity is correct. • Disconnect all control cables and use the manual control switch on the bottom left side of the screen housing. If this works, check the normal control method for operation for problems. Check the wiring and control codes being used, or consult with the controller manufacturer to confirm that all settings are correct. If this doesn't work, check power as indicated above.
Viewing surface is too high or low.	<ul style="list-style-type: none"> • See "Step 8. Adjust Screen Travel" on page 10.
RF control does not work but other modes do work.	<ul style="list-style-type: none"> • Change the batteries in the RF remote. (2x AAA alkaline) • It may be necessary to follow the directions to pair the remote in Step 7 on page 9.

7. Assembled Weights

Type-Size	Weight (lbs.)
NTT-100"	86.5
NTT-110"	93.2
NTT-120"	106.2
NTT-130"	118.2
TAB-100"	95.4
TAB-110"	108.2
TAB-120"	119.0
TAB-130"	134.5

8. Dimensions



Dim.	Screen Type-Size (Inches)							
	TAB-100	TAB-110	TAB-120	TAB-130	NTT-100	NTT-110	NTT-120	NTT-130
A	6.58"	6.58"	6.58"	6.58"	6.58"	6.58"	6.58"	6.58"
B	6.77"	6.77"	6.77"	6.77"	6.77"	6.77"	6.77"	6.77"
C	8.50"	8.50"	8.50"	8.50"	8.50"	8.50"	8.50"	8.50"
D	111.50"	120.12"	128.98"	137.80"	103.07"	111.77"	120.47"	129.21"
E	109.80"	118.46"	127.32"	136.06"	100.98"	109.69"	118.39"	127.13"
F	114.53"	123.19"	132.05"	140.79"	106.14"	114.84"	123.54"	132.28"
G	15.75"	15.75"	15.75"	15.75"	39.37"	39.37"	11.81"	11.81"
H	10.16"	10.16"	10.16"	10.16"	8.50"	8.50"	8.50"	8.50"
I	8.19"	8.19"	8.19"	8.19"	6.54"	6.54"	6.54"	6.54"
J	49.02"	53.93"	58.82"	63.74"	49.02"	53.94"	58.82"	63.74"
K	87.17"	95.88"	104.57"	113.31"	87.17"	95.87"	104.57"	113.31"
L	3.94"	3.94"	3.94"	3.94"	1.97"	1.97"	1.97"	1.97"
M	102.52"	111.23"	119.92"	128.66"	93.86"	102.56"	111.26"	120.00"

*TAB model shown; dimension pattern is the same for both models.

9. Specifications

Models	DFRM-TAB-XXX-MW DFRM-TAB-XXX-HC DFRM-TAB-XXX-UAW DFRM-TAB-XXX-UW	DFRM-NTT-XXX-MW DFRM-NTT-XXX-HC DFRM-NTT-XXX-ALR
Screen Material	PVC and fiberglass woven inner layer	
Gain	High Contrast (HC) = .8 Gain Matte White (MW) = 1.0 Gain Ultra White (UW) = 1.3 Gain Ultra AcoustiWeave (UAW) = 1.0 Gain Ambient Light Rejection (ALR) = .8 Gain	
Frame Construction:	Housing: Aluminum Alloy, white	
Motor:	120V AC/.97A	
Duty Cycle	ON = 1 minute OFF = 5 minutes	

10. 2 Year Limited Warranty

Dragonfly Motorized and Tab-Tension Motorized Projection Screens have a 2-Year Limited Warranty. This warranty includes parts and labor repairs on all components found to be defective in material or workmanship under normal conditions of use. This warranty shall not apply to products which have been abused, modified or disassembled. Products to be repaired under this warranty must be returned to a designated service center with prior notification and an assigned return authorization number (RA).

11. Contact Technical Support

Phone: (866) 838-5052



© 2016 Dragonfly

170227-1006