

TROUBLESHOOTING

Wirepath™ structured wire modules are designed to function trouble-free. Most problems that occur are due to simple issues. If you have trouble, please check the list of simple fixes below. If the problem persists, contact your authorized Wirepath™ dealer or Wirepath™ customer service at 866.838.5052.

No Telephone signal

- Verify that there is signal on the input being used.
- Check all wiring connections on output(s) with no signal, including any wall-plate connections at the remote location.
- Disconnect RJ-31X cable if this option is being used. Retry operation.
- Check jumper wire from WP-MOD-RJ45-TEL1X12 if the only trouble is with locations connected to the WP-MOD-TELEP16.

Lifetime Warranty

All Wirepath™ products have a Lifetime Limited Warranty. This warranty includes parts and labor repairs on all components found to be defective in material or workmanship under normal conditions of use. This warranty shall not apply to products which have been abused, modified or disassembled. Products to be repaired under this warranty must be returned to SnapAV or a designated service center with prior notification and an assigned return authorization number (RA).

For Technical Support: 866.838.5052

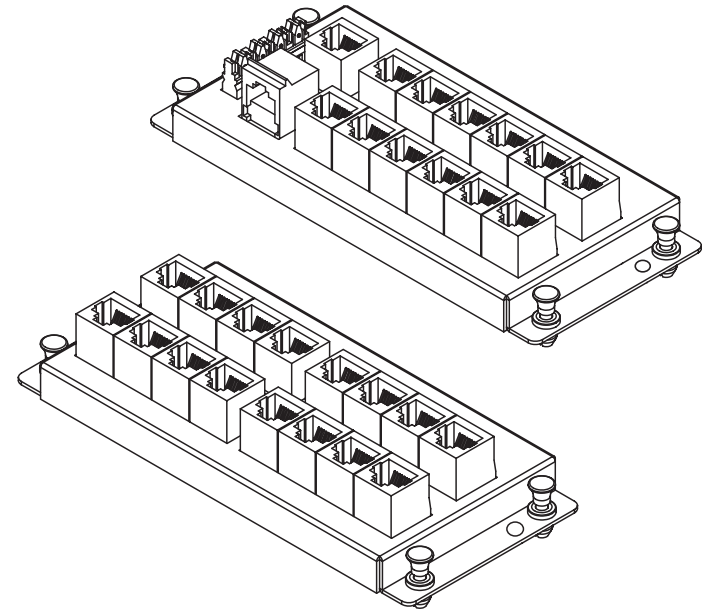


engineered by
Snap
av

INSTALLATION GUIDE

>> WP-MOD-RJ45-TEL1X12
>> WP-MOD-RJ45-TELEP16

TELEPHONE MODULES



2	INTRODUCTION & FEATURES
2/3	INSTALLATION
4	SPECIFICATIONS

Thank you for purchasing a great item from one of the highest value lines in structured wiring available today, Wirepath™. We appreciate your purchase and are committed to being the best choice for your needs.

The Wirepath™ WP-MOD-RJ45-TEL1X12 and WP-MOD-TELEP16 are superb choices for almost every type of home installation. They have been designed with advanced technology components that allow high performance while being flexible enough for any type of installation. Use other Wirepath™ structured wire items for your installation needs to get the best value possible in any system.

IMPORTANT INSTRUCTIONS

- Read and understand all instructions.
- Do not use this product near water, such as a bath tub, wash bowl, sink, pool or in a wet basement.
- Never install wiring for telephones during a lightning storm.
- Never touch bare telephone wires or connections unless the main line has been disconnected at the interface.
- Use caution when installing, terminating or modifying any type of wire.

WIREFATH™ TELEPHONE MODULE FEATURES

TELEPHONE DISTRIBUTION FOR UP TO 4 LINES AND 12 LOCATIONS

Maximize your flexibility choose either a 110 punchdown for incoming line or use the RJ45 expansion port. If you need to add more locations, jumper out of any of the RJ45 outputs and connect to WP-MOD-RJ45-TELEP16.

TELEPHONE EXPANSION FOR UP TO FOUR LINES TO 16 LOCATIONS

The WP-MOD-RJ45-TELEP16 can easily be added to the WP-MOD-RJ45-TEL1X12 with a simple jumper cable for an additional 16 locations, with the added benefit of another RJ45 output to add more locations using an additional WP-MOD-RJ45-TELEP16 module.

RJ-31x JACK FOR EASY INTEGRATION WITH SECURITY SYSTEMS

Using the industry standard of interrupting the center pins and routing them through a security panel requires no unnecessary cutting or splicing.

INSTALLATION

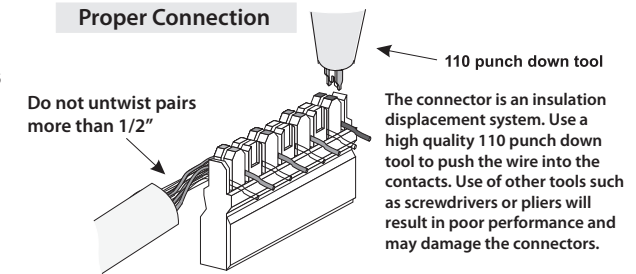
PLACING YOUR WIREFATH STRUCTURED WIRE MODULE

Wirepath™ structured wiring modules are designed to fit Wirepath™ enclosures, but also fit most major brands as well. Installation is simple with our familiar expansion pins. Plan the placement of each model in the enclosure based on how the wire is entering the enclosure, and what will allow for the cleanest routing of wires.

If the Wirepath™ module is being used in an enclosure of another brand, it may be necessary to use one of the included spare mounting pins in the extra mounting flange hole and remove the two pins on that side to fit the mounting pattern of other enclosures from another brand.

TELEPHONE WIRING

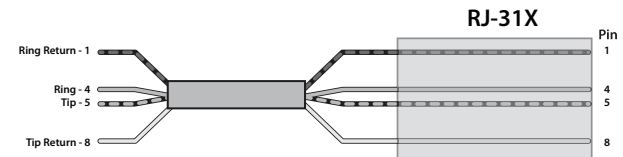
A standard 110 punch down tool is all that is required to properly connect the wiring to the module. See illustration.



NOTE: The RJ45 Expansion outlet can also be used for incoming signals if installation requires it. Use any RJ45 Output to jumper to expansion modules. Wire jumper to 568B requirements (see below).

RJ-31X WIRING (WP-MOD-RJ45-TELEP16 only)

If it is necessary to interface the telephone wiring with a security system, simply use the provided jack. Follow the illustration below if you need to make a cable for this use.



EXPANSION PORT

If it is necessary to expand beyond 12 locations, connect the WP-MOD-RJ45-TEL1X12 with an 8 conductor jumper wired 568B specification. Multiple modules can be daisy chained. The limit will vary based upon the installation.

