



engineered by
Snap
av

OWNER'S MANUAL

>> ON-WALL SPEAKERS

ES-300-OWLCR-M ES-300-OWLCR-L



OVERVIEW

Welcome to Episode® Speakers. We appreciate your purchase and are committed to providing the highest-quality products possible.

Episode® Speaker models are a superb choice for almost every type of home theater or home audio installation. They have been designed with advanced technological components that allow for high performance and a lifetime of enjoyment.

IMPORTANT INSTRUCTIONS AND CONSIDERATIONS

Read and understand all instructions.

Before beginning installation, carefully plan location accounting for potential electrical, plumbing or other obstacles.

RECOMMENDED AMPLIFIER POWER

To get the best performance from the ES-300-OWLCR, an amplifier or receiver with the following power rating is recommended:

<i>ES-300-OWLCR-M</i>	between 20 and 80 Watts RMS per channel
<i>ES-300-OWLCR-L</i>	between 20 and 90 Watts RMS per channel

SPEAKER WIRE

To connect the ES-300-OWLCR speaker to your amplifier, high-quality 14 to 16 gauge stranded speaker wire is recommended. The wire may be connected directly to the speaker's binding posts.

Features

- Low-Profile, Extruded Aluminum Cabinet
- Knockout for hidden IR receiver (large model only)
- Flexible Mounting Options
 - *Cabinet Top or Shelf Placement*
 - *On Wall*

What's Included

ES-300-OWLCR-L

- (1) ES-300-OWLCR-L
- (2) Kickstands for Cabinet placement
- (4) Rubber Feet
- (2) Rubber Bumpers
- (2) Bolts to Mount Kickstand
- (2) Flat Washers
- (1) Wall Plate Bracket
- (1) IR Receiver Spacer
- (2) Shoulder bolts for Wall Mounting

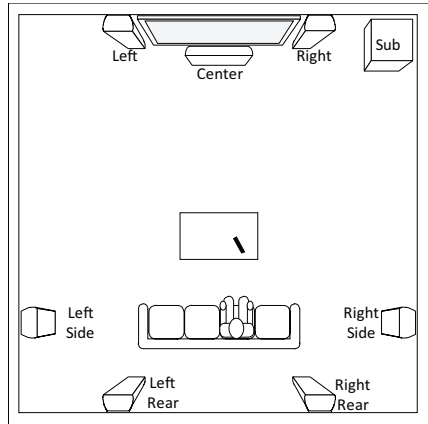
ES-300-OWLCR-M

- (1) ES-300-OWLCR-M
- (2) Kickstands for Cabinet placement
- (4) Rubber Feet
- (2) Rubber Bumpers
- (2) Bolts to Mount Kickstand
- (2) Flat Washers
- (2) Plastic Keyway Wall Mounting Brackets
- (2) Shoulder bolts for Wall Mounting

INSTALLATION

SPEAKER PLACEMENT

The ES-300-OWLCR is designed to be the Left, Center, Right or Rear speakers of a home theater surround system. While most applications will utilize the OWLCR wall-mounted, the center channel can be placed on a cabinet utilizing the included kickstands. The OWLCR can be mounted in either horizontal or vertical orientations.



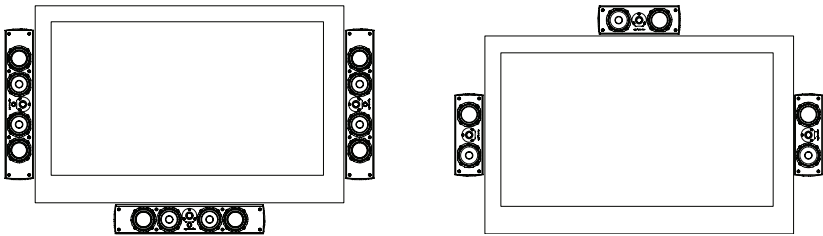
MOUNTING ON A WALL

Considerations for Wall Mounting

The ES-300-OWLCR-M contains an active mid-bass driver (Dished Cone) and a passive radiator (Flat Cone). When mounting vertically on a wall it is recommended that the active mid-bass driver is towards the floor. This orientation will ensure proper acoustic performance.

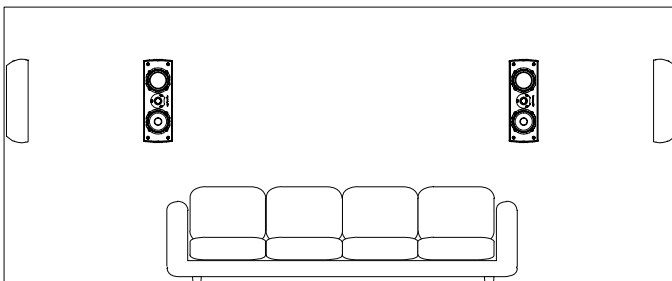
Front Speakers

Place the speaker as close to the TV as possible. Placing the speaker more than 3" from the screen will separate the audio from the video and provide a poor viewing and listening experience.



Rear Speakers

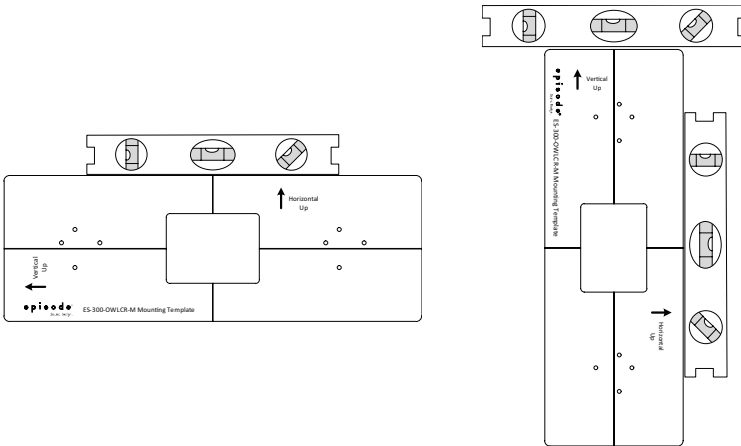
The ES-300-OWLCR can be used as rear speakers within a home theater. Placement can be behind the listening position spaced the same as the front speakers or on the side walls next to the listening position.



Attaching the Wall Bracket

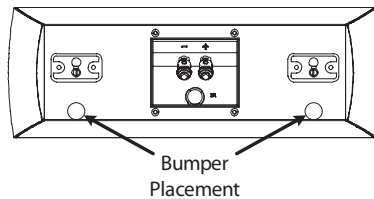
A wall mounting template has been included; use this template for proper and accurate positioning of the OWLCR.

1. Locate wall studs using a stud finder (not included).
2. Position the provided template on the wall in the desired location of the speaker. If the location does not allow for this, use a wall molly or anchor with the appropriate weight rating for the Soundbar.
3. Level the template and mark the wall with the screw locations.

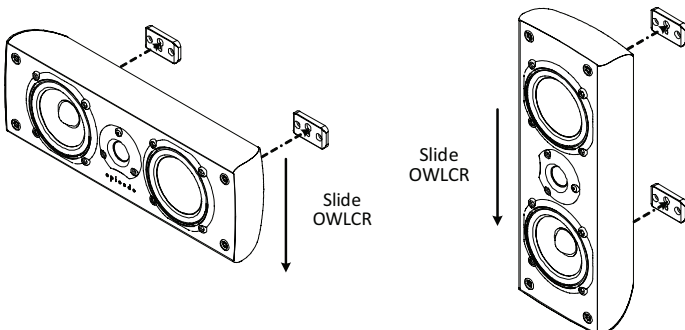


4. Secure the brackets to the wall.

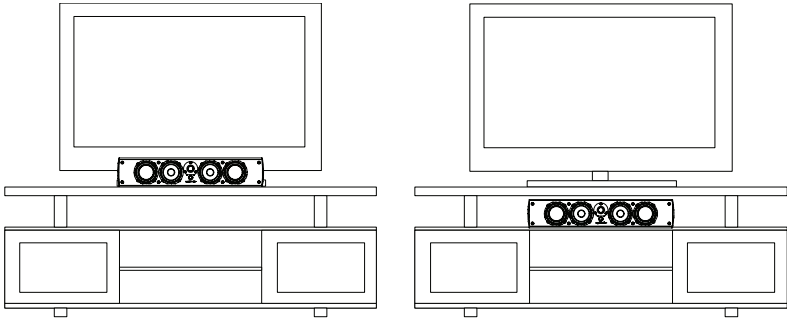
5. If mounting the OWLCR in a horizontal orientation, place the provided rubber bumpers in line with the brackets at the bottom of the speakers. These are not needed when mounting in a vertical orientation.



6. Place the Speaker onto the wall brackets with the rear screws in the slots. Slide the speaker onto the bracket. Your install is now complete.



Installing On or In a Cabinet



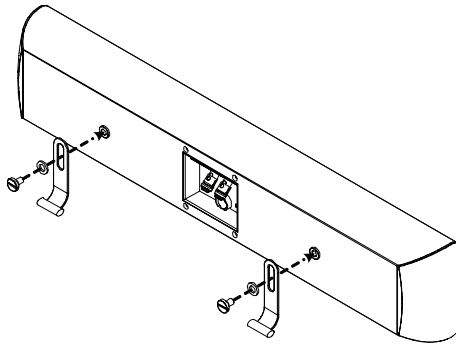
Considerations for Placement

When placing the soundbar on a cabinet shelf, the front edge of the speaker should be flush with the front of the shelf. Placing the speaker further back on the shelf will degrade the sound quality of the speaker.

Attaching the Kickstand

The kickstand for the Soundbar allows for the angle of the Soundbar to be adjusted to maintain proper audio performance. When placing the Soundbar, adjust the kickstand height to angle the Soundbar towards the listener's ears. See [Adjusting the Kickstand](#) for more information.

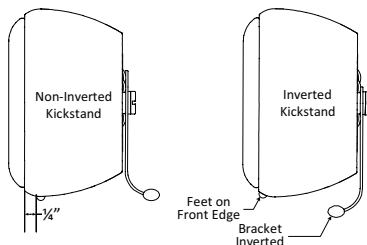
1. Remove the 2 screws on the back of the soundbar.
2. Place the included Kickstand on the rear of Soundbar.
3. Hand Tighten the screws to secure the kickstand to the Soundbar.



Attaching the Feet

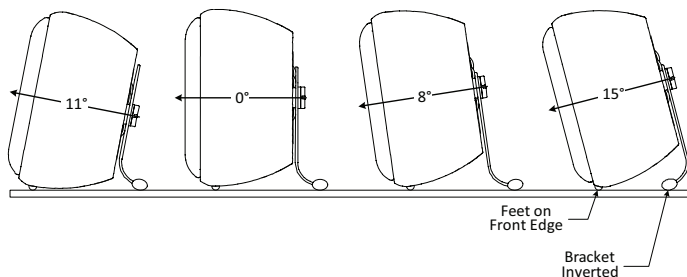
To ensure that the Soundbar will not slip when using the kickstands, (2) rubber feet have been included. The feet must be installed when using the kickstand. Place the feet 3" from the left and right outer edge, and 1/4" from the front edge of the Soundbar.

Note: When using the kickstand in the inverted position, the feet should be placed at the front edge of the speaker.



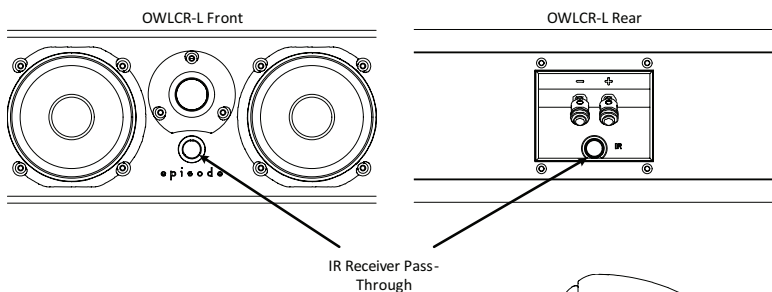
Adjusting the Kickstand

After installing the kickstand and placing the Soundbar, review the angle of the speakers towards the listener's ears. If the speakers point away from the listener's ears, slide the kickstand up or down to achieve the proper angle. Note that the kickstand can be inverted when the Soundbar is pointing down.



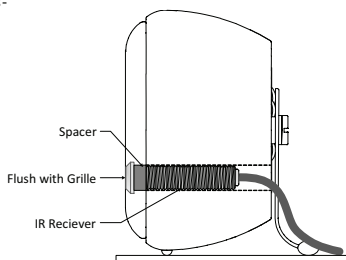
Installing an IR Receiver (ES-300-OWLCR-L Only)

The ES-300-OWLCR-L has the option of installing an optional IR Receiver directly into the speaker behind the grille cloth, eliminating the need to surface mount a stick-on receiver. Simply punch out the center of the pass-through and slide the IR Receiver through the exposed hole.



To maintain accurate IR reception, a spacer has been included to allow for the front edge of the IR receiver to be flush with the back of the grille cloth. This will ensure that IR reception is at its maximum level.

TIP: With some IR receivers, a layer of electrical tape around the threads can create a more snug fit within the OWLCR.



Connecting and Calibrating

Proper Connections are important to the performance of any loudspeaker within an audio system. Performing the following steps will ensure solid connections:

1. At each loudspeaker connection, ensure that the outer jacket is separated by at least 2".
2. Strip the insulation on each conductor approximately $\frac{1}{4}$ " and insert into the speaker terminals.
 - a. Ensure that there are no stray strands of wire protruding from the connectors.
 - b. Observe proper polarity (+ to + and – to –) for each speaker and at the amplifier.
3. Turn on the home theater receiver and calibrate all loudspeakers in the system according to the receiver (or surround processor) manufacturer's instructions.

Verifying Phase

When proper polarity is not maintained, the speakers play at the opposite 'time' from each other, or out of phase. The result is audio with lack of bass and vocals that sound thin or distant. If during or after calibrating your receiver you suspect the sound is not right and you cannot see any markings on the wire to verify polarity is correct, try this simple test:

1. Sit in the normal listening position for the system.
2. Play some music with your receiver set to Mono.

Listen to the music and observe the audio.

 - Does the bass sound full and even with the other audio?
 - Do the vocals sound centered and even in volume?

If either of the answers are YES, follow steps 3 and 4.
3. Turn off your receiver and reverse the connections for one of the speakers.
4. Repeat your test at the same volume level. When the sound has the loudest and best sounding bass, and vocals are centered and clear, your connections are correct and in-phase.

GENERAL MAINTENANCE

INSTALLING AND REMOVING THE GRILLE

- The grill is held by pins. To remove the grill, pull gently around the edge away from the speaker, slowly working your way from one end of the speaker to the other .
- To re-install, align the grill pins with the cups in the speaker and push into place.

CLEANING

- Use a dampened soft cloth or paper towel to clean the cabinet. The grill is best cleaned by brushing it off with a lint-free cloth.

WARRANTY

Limited Lifetime Warranty

Episode On-Wall Speakers have a Lifetime Limited Warranty. This warranty includes parts and labor repairs on all components found to be defective in material or workmanship under normal conditions of use. This warranty shall not apply to products which have been abused, modified or disassembled. Products to be repaired under this warranty must be returned to SnapAV or a designated service center with prior notification and an assigned return authorization number (RA).



engineered by
Snap
av