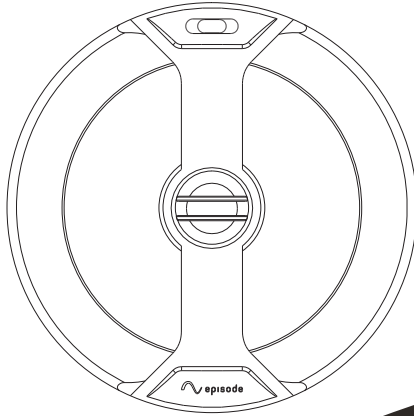




**INSTALLATION MANUAL
ARCHITECTURAL SPEAKERS**



REAL. LIFE. SOUND.



INTRODUCTION

Thank you for purchasing Episode® speakers. Complete the Setup, Connect, Secure, and Fine Tune sections in this manual to ensure proper installation. Visit our website for design recommendations and speaker calculators.

SETUP

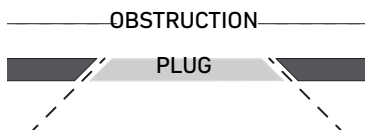
New Construction Install

Episode speaker installations can be simplified by using Episode pre-construction brackets (sold separately). Install them prior to drywall to allow for precise placement of the speaker.

Secure the wiring within reach of the bracket for easy access.

Existing Construction Install

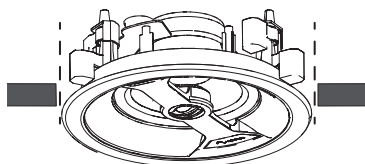
Make a cutout for the speaker using the supplied template. Allow space for the bezel if installing near adjacent objects, or cut the hole in two steps as shown below.



1. Cut the drywall at a 45° angle so that if the speaker is too close to an obstruction, you can easily 'plug' the hole.



2. If there are no obstructions, cut the drywall again, this time at a 90° angle.

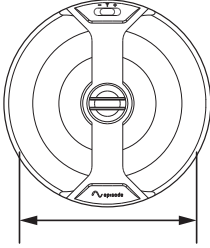
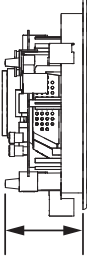


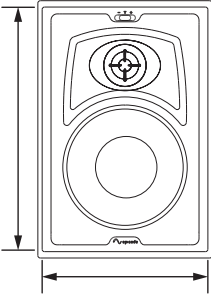
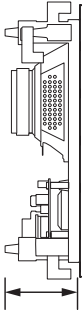
3. Insert the speaker into the cutout.



Cutout Dimensions

Refer to the chart below to verify the correct dimensions prior to cutting drywall.

Model	Cutout Dimension	Mounting Depth
		
IC-6	8.3"	4.1"
POINT-6	9.7"	5.3"
IC-8	9.7"	4.1"

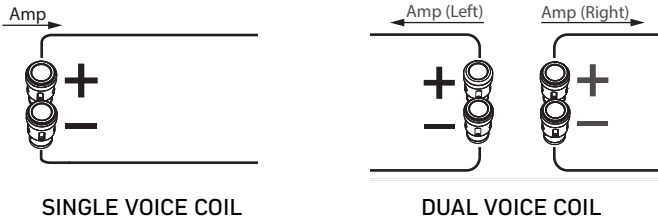
Model	Cutout Dimension	Mounting Depth
		
IW-6	11.7" x 7.6"	3.6"
IW-8	13.7" x 9.0"	3.6"
LCR	14.4" x 7.6"	3.6"



CONNECT

Strip the insulation on each conductor approximately 1/4" and insert into the speaker terminals. Ensure no strands of wire protrude from the connectors.

Observe proper polarity for each speaker to the amplifier (+ to + and - to -). Refer to the dual voice coil speaker wiring configuration image below when wiring a dual voice coil speaker.

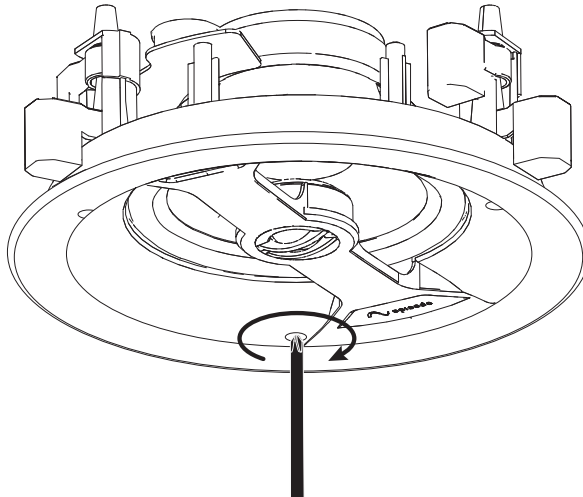


Visit SnapAV.com or contact customer support for help with impedance, system design ideas, or wiring recommendations.

SECURE

Insert the speaker into the opening and tighten each of the three screws to clamp the speaker against the wall or ceiling.

Tighten until you feel resistance but do not over tighten. If using a drill, use a low-torque setting.





FINE TUNE

Adjust the Sound

Use the switch on the face of the speaker for sound adjustment. Switches can vary by model.

Treble Switch: Select **+** or **-**



NOTE: The default setting is +1.5dB.

In furnished rooms, it is recommended to set to **+** to increase response by +1.5dB.

In more open spaces, it is recommended to set to **-** to decrease response by -1.5dB.

Bipole/Dipole Switch
(Surround Only): Select **BI** or **DI**



In spacious rooms with a balanced speaker arrangement, it is recommended to set to **BI** for in-phase output, which produces more direct sound.

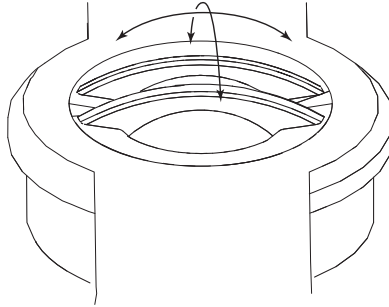
In rooms with varied arrangement, it is recommended to set to **DI** for out-of-phase output, which produces more reverberating sound.

NOTE: Preference subject to opinion.



Pivoting Tweeter Assembly

The pivoting tweeter assembly can be directed to focus the sound where desired.



Two common practices are to:

- point it directly at the listening area for a more directed sound source.
- reflect it off hard surfaces for a more diffused sound field.



WARRANTY

Lifetime Warranty

Episode® speakers have a Lifetime Warranty. This warranty includes parts and labor repairs on all components found to be defective in material or workmanship under normal conditions of use. This warranty shall not apply to products which have been abused, modified or disassembled. Products to be repaired under this warranty must be returned to SnapAV or a designated service center with prior notification and an assigned Return Authorization (RA) number.

CONTACTING TECHNICAL SUPPORT

As a thank you for purchasing Episode® speakers, direct technical support services are available via phone or e-mail. We encourage you to use this resource for any questions or concerns about our products. Visit our website for more support documentation.

(866) 838-5052

techsupport@snapav.com

snapav.com



© 2015 Episode®
Rev: 150608-1030