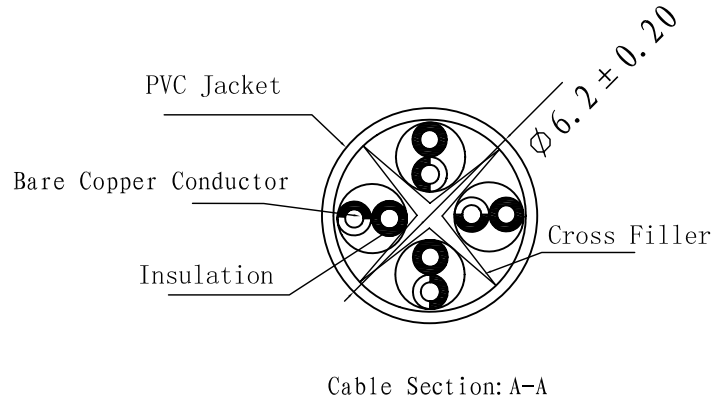
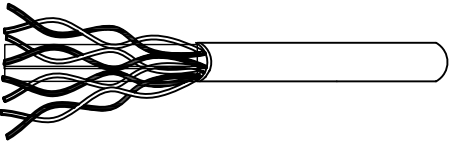
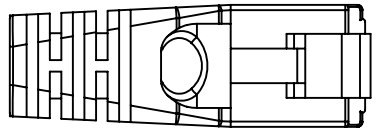
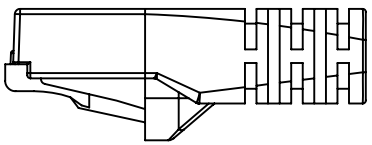
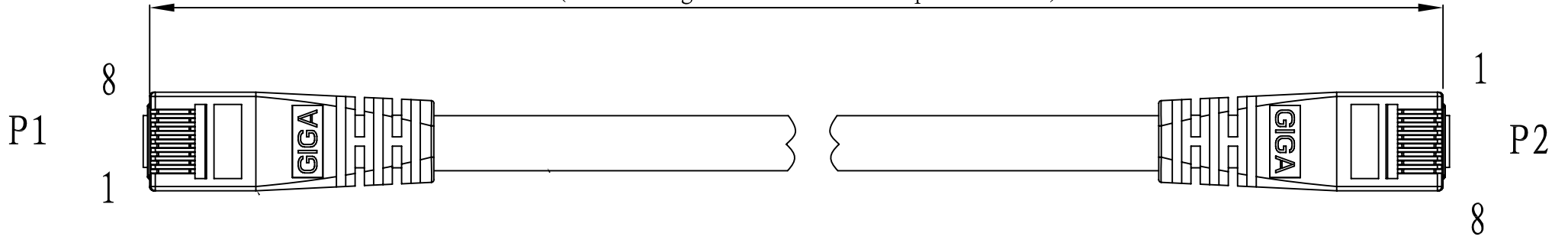


X (According to customer requirements)



Wire Map: T568B

P1	Color	P2
1	WH/OR	1
2	OR	2
3	W/GN	3
4	BL	4
5	WH/BL	5
6	GN	6
7	WH/BN	7
8	BN	8

3rd Angle Projection		
Unit	mm	
Date	2015-04-29	
Tolerance		
X.	.X	.XX
±0.5	±0.2	±0.1



Title
WP-PC-CAT6-XFT-XXX