

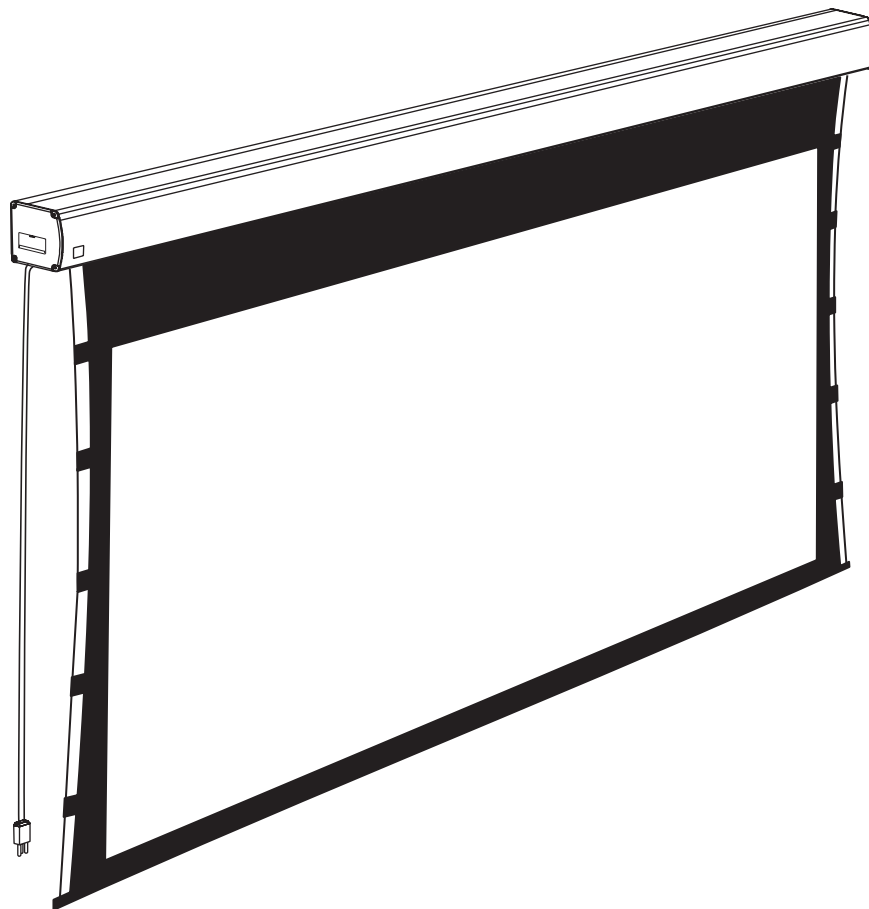


engineered by
Snap
av

OWNER'S MANUAL

>>DFM-TAB SCREENS

MOTORIZED TAB TENSIONED FILM SCREEN



IMPORTANT SAFETY INSTRUCTIONS

WARNING: To reduce the risk of fire or electric shock, do not expose this apparatus in or near rain or moisture

1. Read and follow all instructions and warnings in this manual. Keep for future reference.
2. Do not use this apparatus near water.
3. Clean only with a dry cloth.
4. Do not block any ventilation openings. Install according to manufacturer's instructions.
5. Do not install near any heat sources such as radiators, heat registers, stoves or other apparatus (including amplifiers) that produce heat.
6. Do not override the safety purpose of the polarized or grounding-type plug. A polarized plug has two blades - one wider than the other. A grounding type plug has two blades and a third grounding prong. The wide blade or the third prong is provided for your safety. If the provided plug does not fit into your outlet, consult an electrician for replacement of the obsolete outlet.
7. Protect the power cord from being walked on or pinched particularly at plug, convenience receptacles, and the point where it exits from the apparatus.
8. Only use attachments/accessories specified by the manufacturer.
9. Use only with a cart, stand, tripod, bracket or table specified by the manufacturer, or sold with the apparatus. When a cart is used, use caution when moving the cart/apparatus combination to avoid injury from tip-over.
10. Unplug this apparatus during lightning storms or when unused for long periods of time.
11. Refer all servicing to qualified service personnel. Servicing is required when the apparatus has been damaged in any way, such as when the power-supply cord or plug is damaged, liquid has been spilled or objects have fallen into the apparatus, the apparatus has been exposed to rain or moisture, does not operate normally, or has been dropped.
12. Do not expose this equipment to dripping or splashing; ensure that no objects filled with liquids, such as vases, are placed on the equipment.
13. To completely disconnect this equipment from the AC mains, disconnect the power supply cord plug from the AC receptacle.



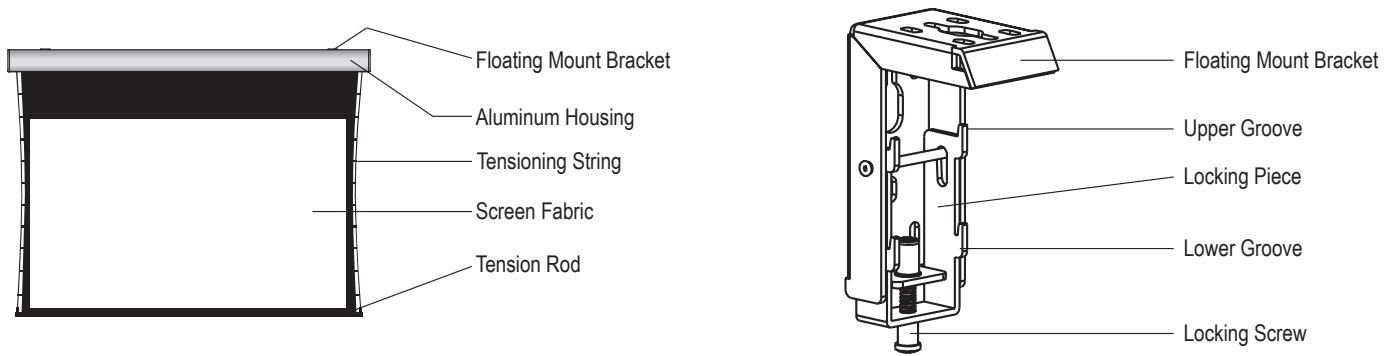
The lightning flash with arrowhead symbol within an equilateral triangle is intended to alert the user to the presence of un-insulated dangerous voltage within the product's enclosure that may be of sufficient magnitude to constitute a risk of electric shock to persons.



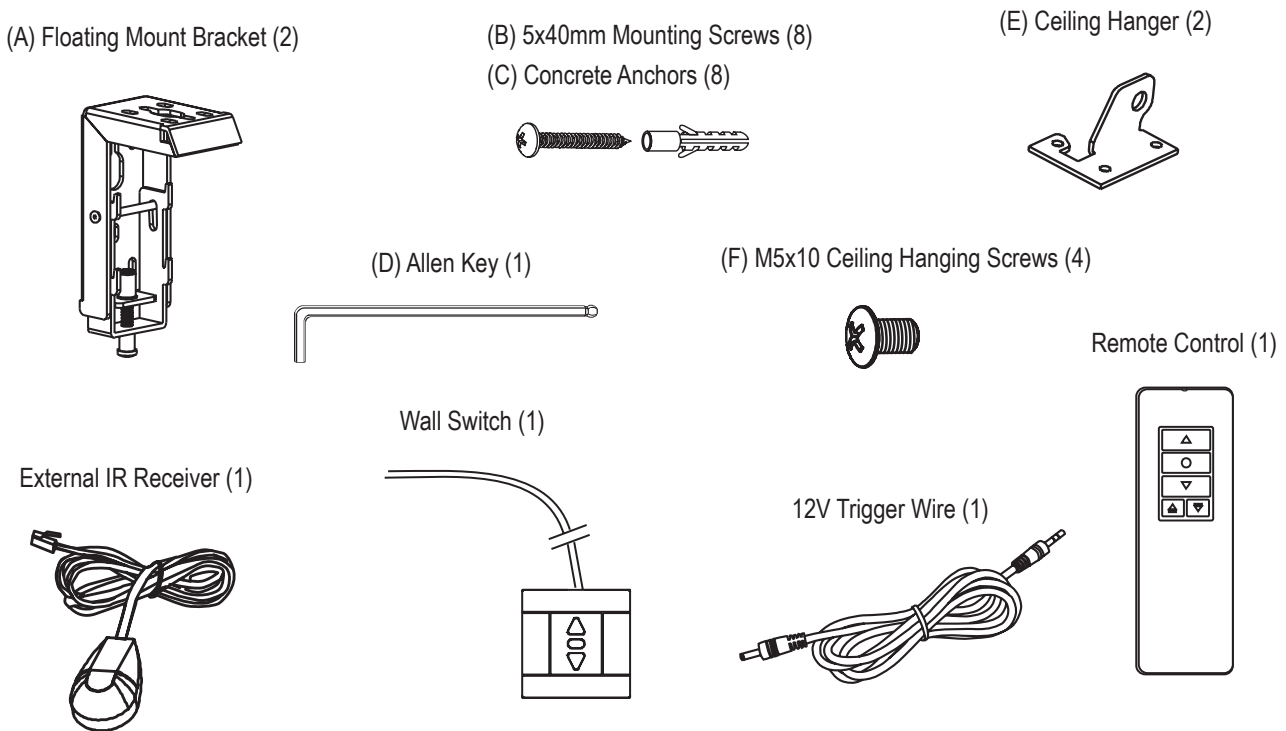
The exclamation point within an equilateral triangle is intended to alert the user to the presence of important operating and maintenance (servicing) instructions in the literature accompanying the appliance.

CLEANING

The screen material and case should only be cleaned with water and mild soap using only a non-abrasive cloth. Do not use chemicals or abrasives as they will damage the screen material.



ACCESSORIES INCLUDED FOR THE DRAGONFLY™ MOTORIZED FILM SCREEN:



INSTALLATION OF THE BRACKET

Take out all the parts from the package and reference the accessories guideline to ensure all the parts are there. There are three different types of installation options for this product: wall mount, ceiling mount or ceiling hang. Depending on the installation environment, the floating mounting brackets can be installed at various points for your convenience.

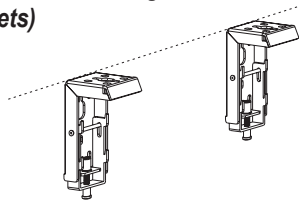
NOTE: PLACING THE MOUNTING BRACKETS CLOSER TO THE END CAPS WILL HELP REDUCE NOISE AND VIBRATION

IMPORTANT: Before beginning installation, you must remove the two safety shipping screws from the back of the casing.

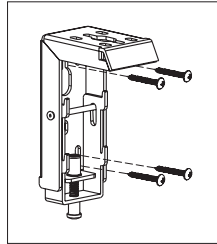
Installing the bracket on the wall or ceiling:

1. According to the surface of installation, choose the appropriate screws needed for mounting (Use Mounting Screws for wood surfaces, use Mounting Screws and Concrete Anchors for concrete surfaces)
2. Mount the brackets onto the surface, ensuring they are level.

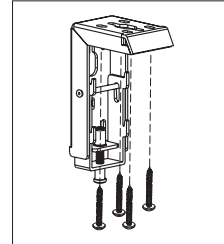
(Tip: draw an erasable level line when mounting the brackets)



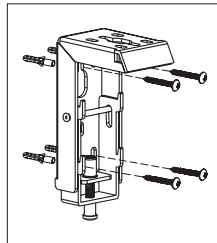
Drywall/ Stud Installation



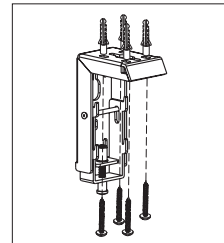
Ceiling Joist Installation



Concrete Wall Installation



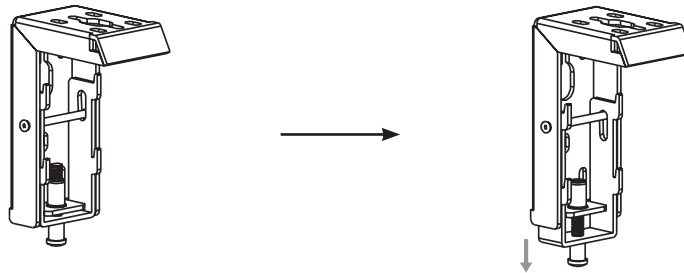
Concrete Ceiling Installation



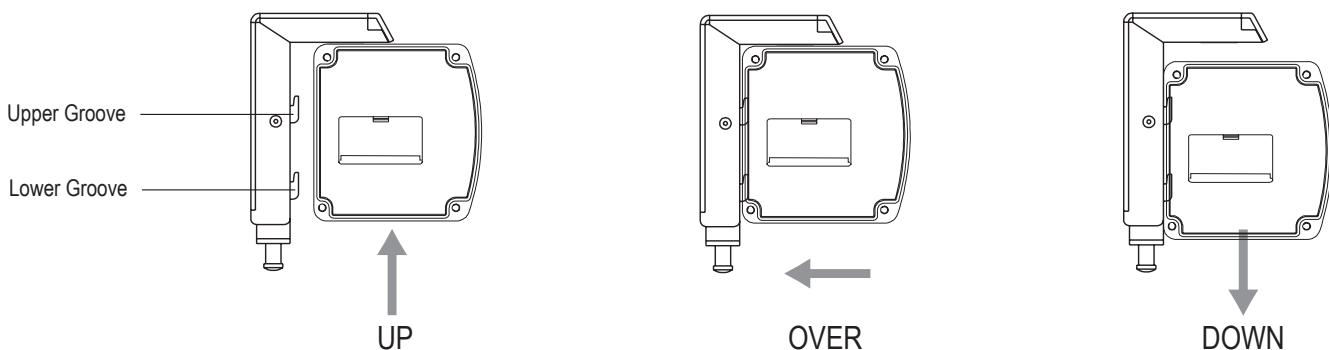
- Wall and Ceiling Installation, Drywall: Drill in the Mounting Screws (B) through the appropriate holes in the bracket

- Wall and Ceiling Installation, Concrete: Install the anchors (C) and drill the Mounting Screws (B) through the appropriate holes in the bracket

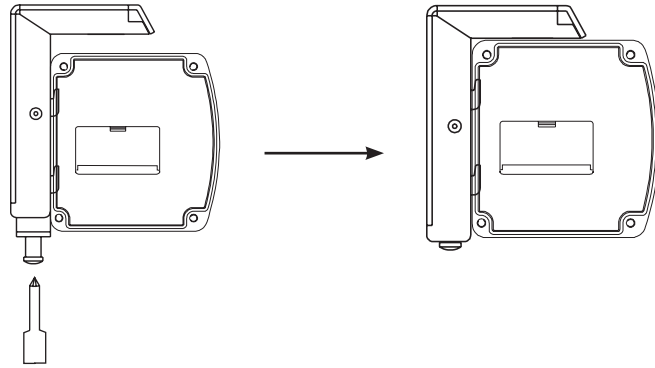
3. Loosen the Locking Screw to lower the Locking Piece down all the way.



4. When mounting the screen onto the Floating Mount Brackets, ensure the grooves on the screen casing match up with the upper and lower grooves on the brackets. To attach casing, simply slide on to the bracket's grooves and they will hold the casing in place (See below). Horizontal adjustments can still be made.



5. To lock the screen in place, close and tighten the Locking Screw on the mounting brackets. This will keep the screen locked firmly in place.

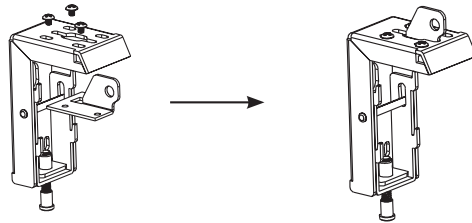


Installing the hanging bracket:

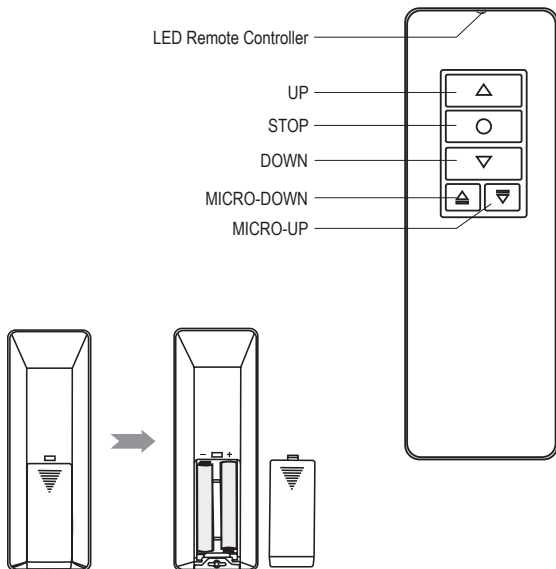
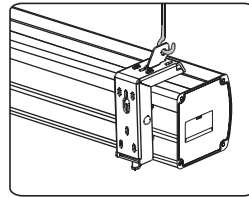
1. Choose tapping screws with hangers, or other screws with hangers (not included) according to your ceiling material.

2. Drill two identical holes with an electric drill. Make sure the holes are aligned horizontally with the wall. Fasten hangers (not provided) into the ceiling.

3. Use the Ceiling Hanging Screws (F) provided with the accessory package to fix the Ceiling Hanger (E) into the Floating Mount Bracket (A). Ensure the screws on the bracket are tightened and secure.



4. Follow steps three through five from the "Installing the bracket on the wall or ceiling" section to attach the casing to the brackets. After the casing is locked into the brackets, hang the screen on to the hooks.



How to install the batteries:

1. Turn the controller over, push to open the cover as guide arrow indicates.
2. Put batteries in according to guide
3. Close the cover

IR REMOTE INSTRUCTIONS

1. To raise the screen, push "UP"
2. To lower the screen, push "DOWN"
3. To hold the screen at desired position, push "STOP"
4. To raise the screen with micro adjustments, push "MICRO-UP"
5. To lower the screen with micro adjustments, push "MICRO-DOWN"

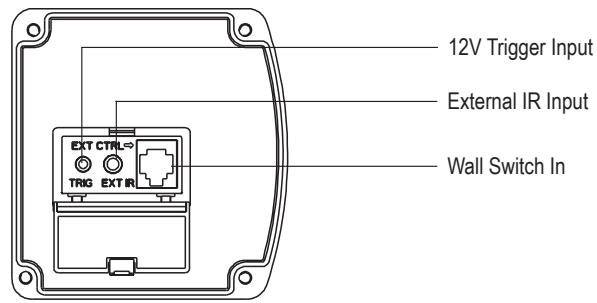
Caution:

- The shortest distance between receiver and controller is 0.5 meter
- Controller will work within 30 degrees horizontally from the center of the IR receiver within 30 feet from screen
- The controller will not work if the signal is covered
- Avoid high temperatures and high humidity
- Change the batteries when the signal is weak using (2) AAA, and take the batteries out of the controller when not being used for long periods of time

EXTERNAL CONTROL FUNCTION

This motorized screen has 4 types on control options: infrared (IR) remote control, manual control, triggered control, and a wall switch.

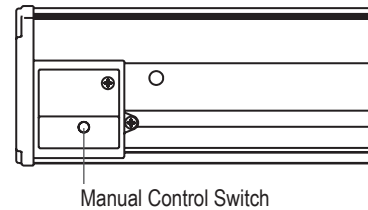
To access the external control interface, press down and open the the end cap door. Close door when finished.



Manual Control Switch

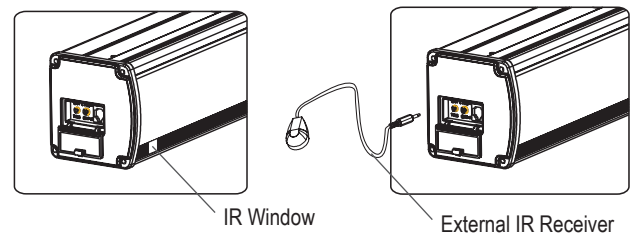
The Manual control button is located on the bottom of the Screen Casing.

- To lower screen, press button
- To raise screen, press button
- To stop screen while in motion, press button



Infrared (IR) Remote Control

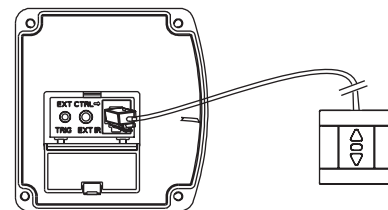
1. When nothing blocks the sight of the IR window, you can use the remote control to control the screen with built-in IR receiver.
2. For hidden installations or if the IR window is blocked, use the external IR receiver. Plug it in to the external IR input and then fix it at a position where the IR signal is available.



External Wall Switch (optional)

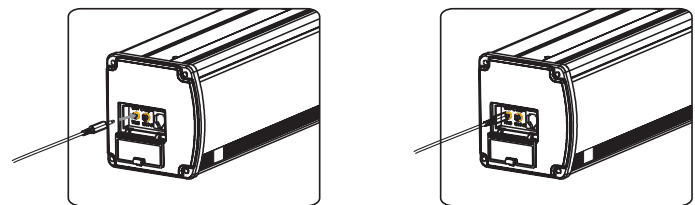
1. For external manual control of the screen, plug the RJ11 plug of the wall switch into the external connection of screen.

Note: If a longer application is needed, the wire can be spliced with Cat5e cable.



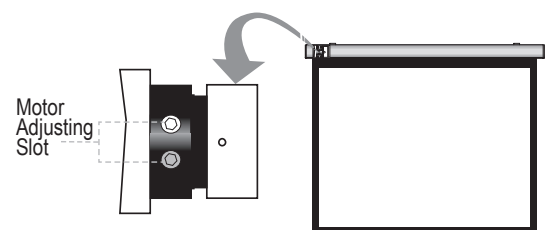
12V Trigger Control (optional)

1. Insert 2.5mm male plug into the trigger jack at the left side of the screen's end cap TRIG, and insert 3.5mm male plug into 12V output hole of device (i.e. projector, receiver).
2. When the 12V source is turned "ON," the screen will lower automatically. When the 12V source is turned "OFF," the screen will raise automatically.



MOTOR ADJUSTMENTS

To avoid overheating the motor, do not continually retract and lower the screen for over 4 minutes at a time. If the motor overheats, it will need a cool down time of 2 minutes. The motor does not need any lubricants. The drop and retract limit of the screen is factory preset to optimal configuration. Please ask your local dealer or professional to adjust settings to avoid damaging the motor.



ADJUSTING YOUR DRAGONFLY MOTORIZED FILM SCREEN

The stopping point for both the upward and downward motion of your Dragonfly motorized film screen can be adjusted easily with the included plastic Allen key. The screen has 15 3/4" of black material above the screen surface, allowing flexibility for most installations.

“OPEN” Adjustment

This adjustment is made with the screen fully lowered.

1. Insert the Allen key into the keyhole (behind the rubber plug) to adjust the position of the viewing area when the screen is down. Turning the Allen key 1 full revolution clockwise will raise the viewing area approximately 1/2".

Note: *You will not notice a difference of adjustment until you press the 'UP' button and travel the screen several seconds. Then 'DOWN' to see the difference in screen location.*

2. If adjustment has been made too far, turning the key counter-clockwise will “bump” the screen lower. This adjustment can be made with the screen fully open without raising or lowering the screen.

“CLOSED” Adjustment

FOR REFERENCE ONLY: Closed Limit Switch Adjustment

(Attention: This adjustment is not required. Always contact our Technician for assistance to avoid damaging the screen and voiding your warranty.)

***IMPORTANT NOTE: IT IS STRONGLY ADVISED THAT THE USER NOT EVER ADJUST THE CLOSED LIMIT SWITCH. ALL SCREENS HAVE ALREADY BEEN PRE-ADJUSTED IN THE FACTORY TO MEET THE MULTITUDE OF USER NEEDS. DESCRIPTION OF THIS FEATURE WAS INCLUDED FOR THOSE RARE SITUATIONS THAT REQUIRE IT.**

1. Insert the Allen key into the keyhole (closest to back of case) to adjust the stopping point of the motor when the screen is retracted into its housing. Turning the key 1 full revolution clockwise will cause the screen to stop approximately 1/2" farther out of the housing.

NOTE: *You will not notice a difference of adjustment until you press the 'DOWN' button and travel the screen several seconds. Then press the 'UP' button to see the difference in screen location.*

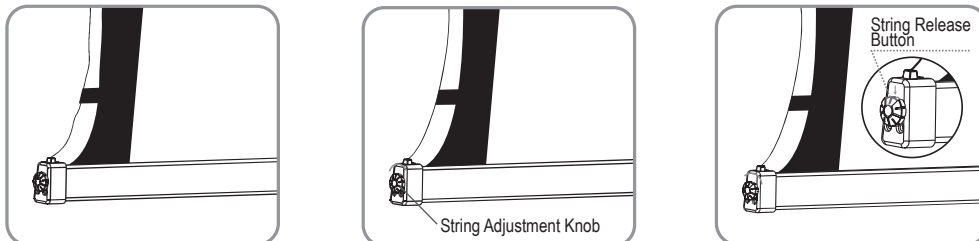
DO NOT do the following step before step #1 because damage to screen may occur.

2. Turning the Allen key counter-clockwise 1 full revolution will raise the bottom bar of the screen closer to the case approximately 1/2".

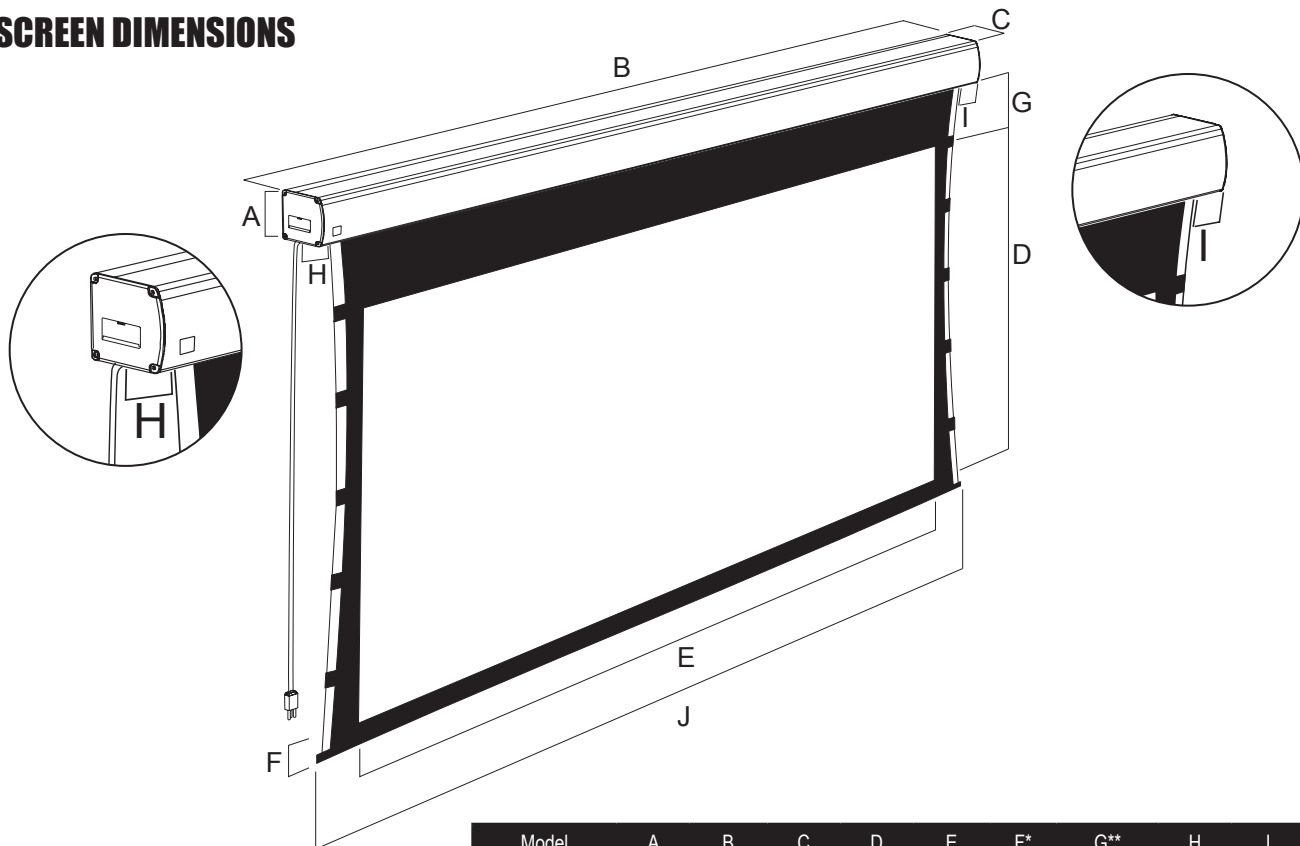
Be very careful as you may accidentally retract the screen too far into the case causing damage to the motor and screen.

Adjusting the Tension String

If the string is loose, rotate the String Adjustment Knob clockwise to tighten. If the string is over-tensioned, press the String Release Button and then rotate the String Adjustment Knob counter-clockwise to suitable tension.



SCREEN DIMENSIONS



Model	A	B	C	D	E	F*	G**	H	I	J
DFM-TAB-84	4.99"	93.07"	4.72"	41.14"	73.23"	4.2"	17.7" max	4.92"	4.72"	86.69"
DFM-TAB-92	4.99"	99.96"	4.72"	45.01"	80.19"	4.2"	17.7" max	4.92"	4.72"	93.66"
DFM-TAB-100	4.99"	107.00"	4.72"	49.01"	87.16"	4.2"	17.7" max	4.92"	4.72"	99.92"
DFM-TAB-106	4.99"	112.20"	4.72"	51.97"	92.40"	4.2"	17.7" max	4.92"	4.72"	105.12"
DFM-TAB-110	4.99"	115.78"	4.72"	53.90"	95.86"	4.2"	17.7" max	4.92"	4.72"	108.62"
DFM-TAB-120	4.99"	124.41"	4.72"	58.82"	104.56"	4.2"	17.7" max	4.92"	4.72"	117.39"
DFM-TAB-84-43	4.99"	87.05"	4.72"	50.39"	67.20"	4.2"	17.7" max	4.92"	4.72"	79.96"
DFM-TAB-92-43	4.99"	93.42"	4.72"	55.20"	73.58"	4.2"	17.7" max	4.92"	4.72"	86.34"

* Thickness of tension bar is 1.575"

** Factory preset for G is 15.75"

TROUBLESHOOTING

Dragonfly motorized film screens are designed to function trouble-free for years of enjoyment. Most problems that occur are due to simple issues. If you have trouble, please check the list of simple fixes below. If the problem persists, contact your authorized Dragonfly dealer or Dragonfly customer service at info@dragonflyscreens.com

Screen does not react to any control	<ul style="list-style-type: none"> •Power cable to the film screen is incorrectly connected or plugged into an outlet that does not have power. •Check connections and verify power on the outlet. •Check control method selected (IR, wall-pad or low voltage) and try an alternate method.
Screen goes lower than desired or does not retract far enough	<ul style="list-style-type: none"> •Adjust the up and down limits as described in "Adjusting your Dragonfly motorized film screen".
IR control does not work	<ul style="list-style-type: none"> •Check the batteries in the IR remote that you are using. •Ensure that you are within range of the remote being used. The factory remote will work at a distance of up to 15' in most situations. •Ensure that the connector for the Tab IR sensor is fully seated if that is the method you are using and that the IR emitter you are using (if applicable) is wired and operating properly. •If you have chosen to 'hard-wire' the IR connection into a RJ-11 connector, be sure that you have the appropriate wires on the correct pins, as described in the "IR Control" section.

For Technical Support: 1.866.838.5052

2-Year Limited Warranty

Dragonfly Motorized and Tab-Tension Motorized Film Screens have a 2-Year Limited Warranty. This warranty includes parts and labor repairs on all components found to be defective in material or workmanship under normal conditions of use. This warranty shall not apply to products which have been abused, modified or disassembled. Products to be repaired under this warranty must be returned to SnapAV or a designated service center with prior notification and an assigned return authorization number (RA).