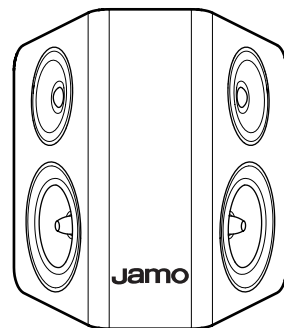
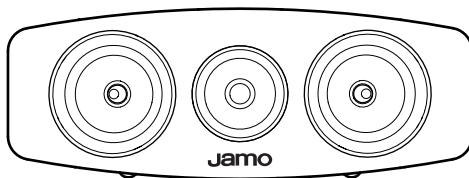
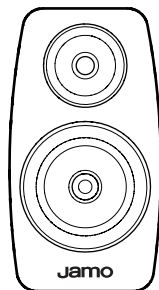
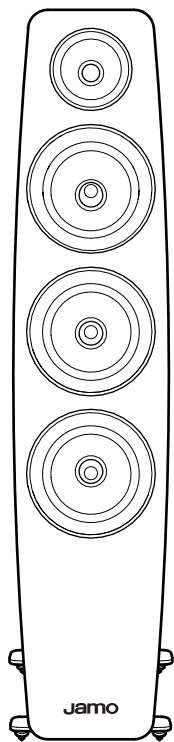


USER MANUAL

Jamo[®]

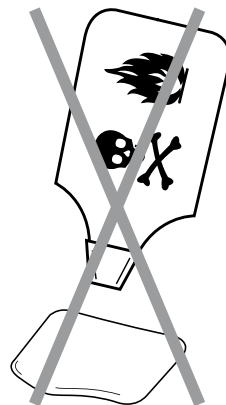
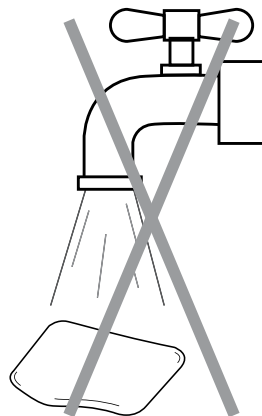
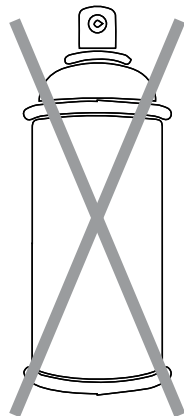
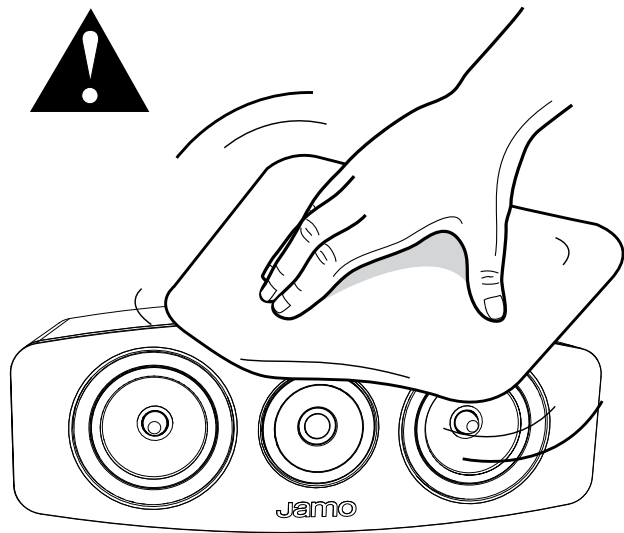
CONCERT 10 SERIES

A decorative horizontal line consisting of a series of small, evenly spaced dots, spanning the width of the page.



CARE AND CLEANING

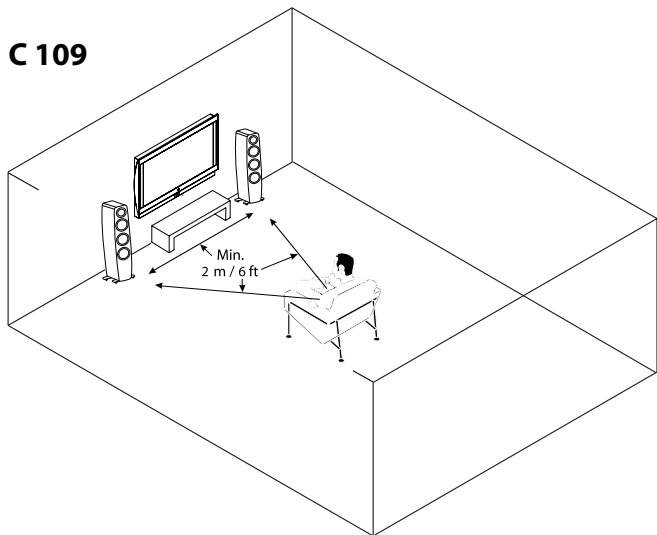
ENTRETIEN ET NETTOYAGE • CUIDADO Y LIMPIEZA • PFLEGE UND REINIGUNG • CURA E PULIZIA • CUIDADOS E LIMPEZA • 保养与清洁



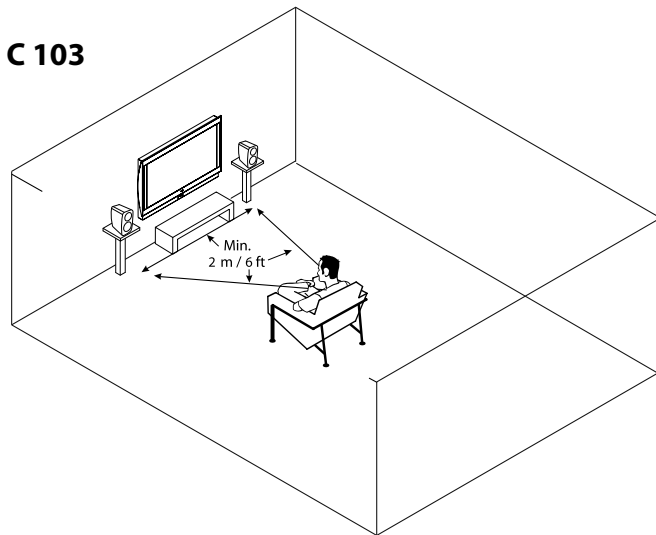
PLACEMENT

POSITIONNEMENT • UBICACIÓN • PLATZIERUNG • COLLOCAZIONE • POSIÇÃO • 布置

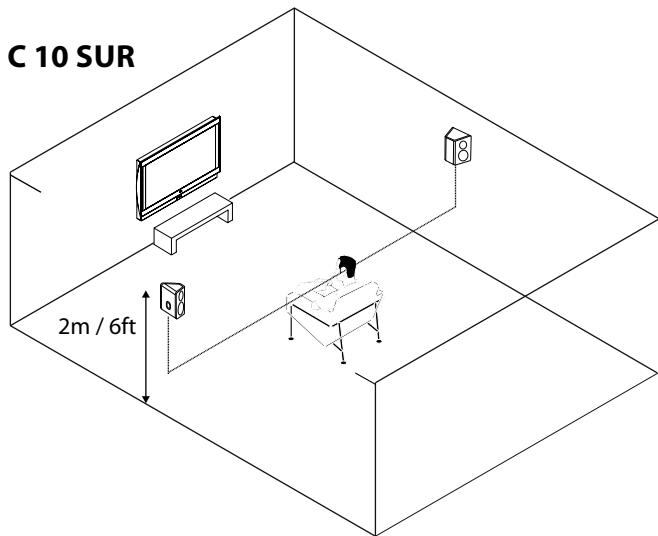
C 109



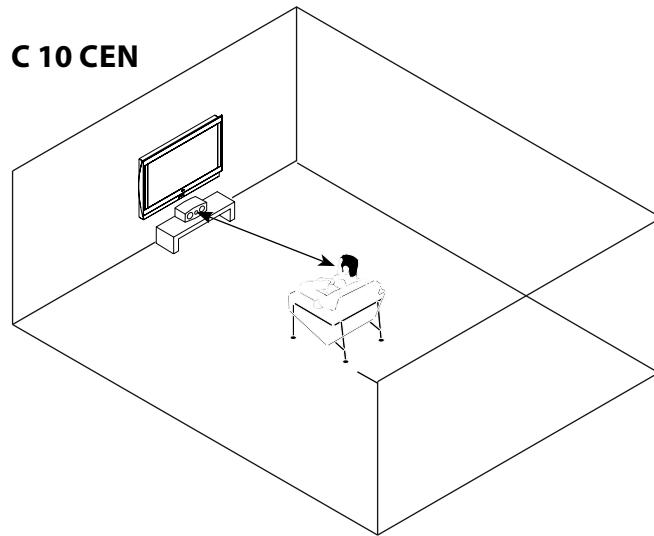
C 103



C 10 SUR



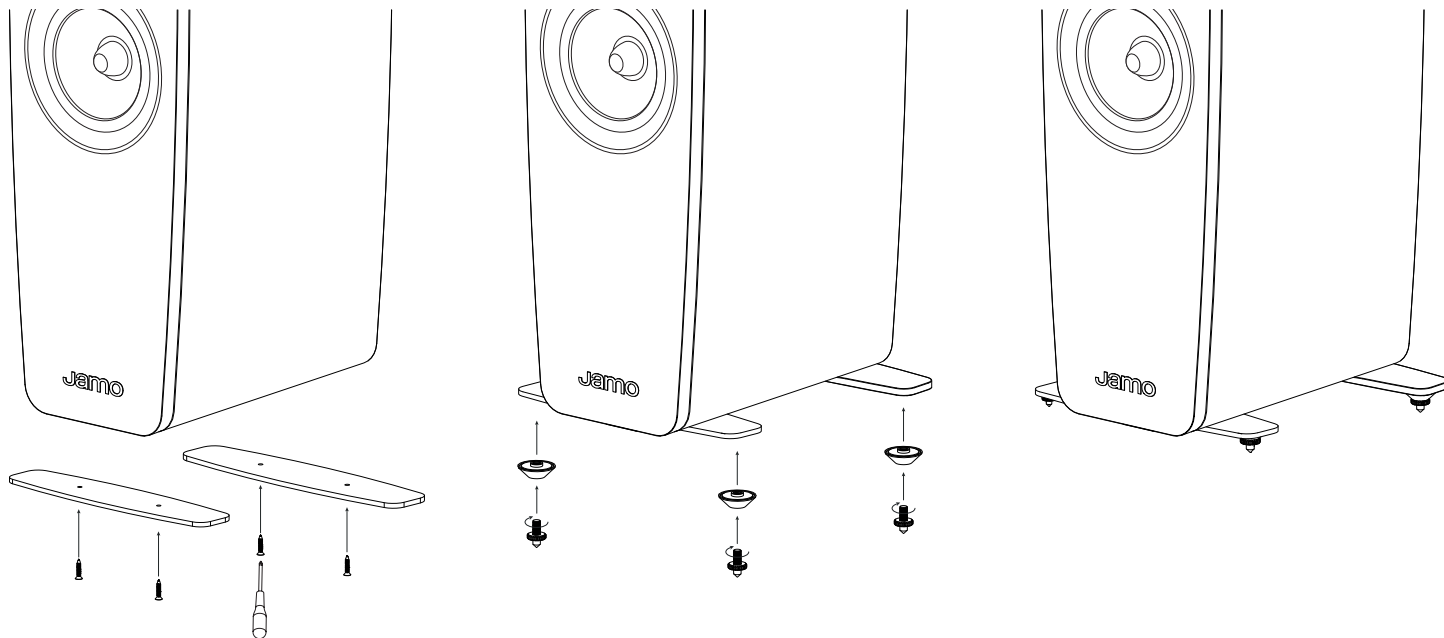
C 10 CEN



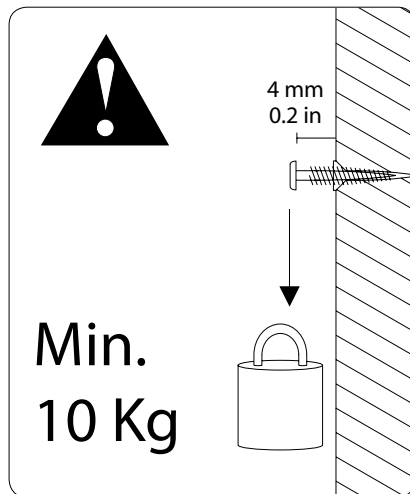
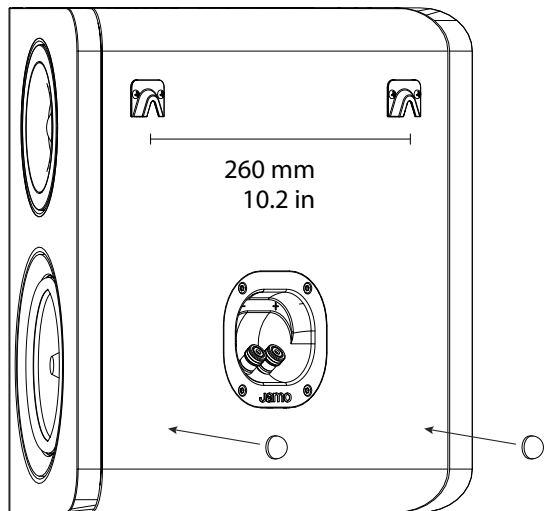
SETUP

INSTALLATION • CONFIGURACIÓN • INSTALLATION • APPONTAMENTO • INSTALAÇÃO • 设置

C 109

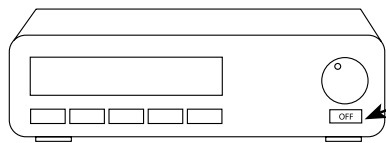


C 10 SUR



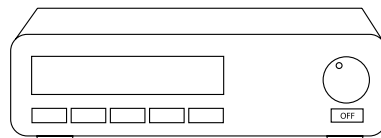
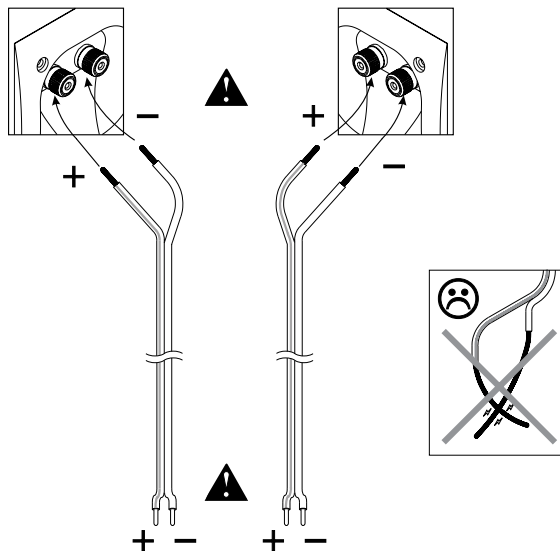
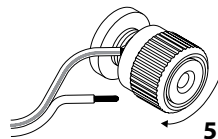
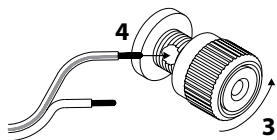
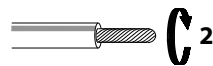
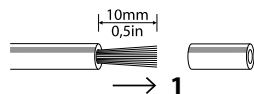
SETUP

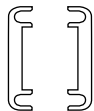
INSTALLATION • CONFIGURACIÓN • INSTALLATION • APPONTAMENTO • INSTALAÇÃO • 设置



OFF

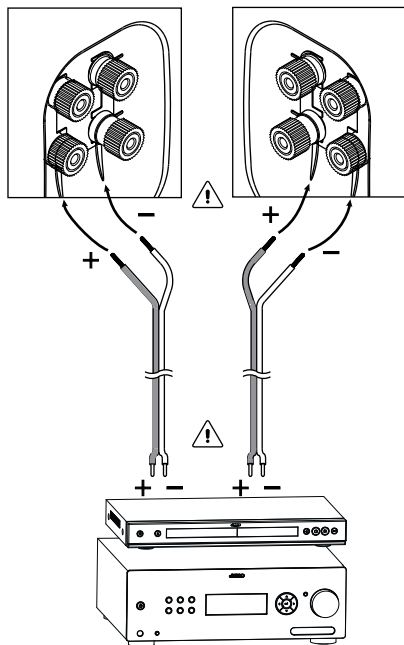
ARRÊT
APAGADO
AUS
SPENTO
DESLIGAR
关





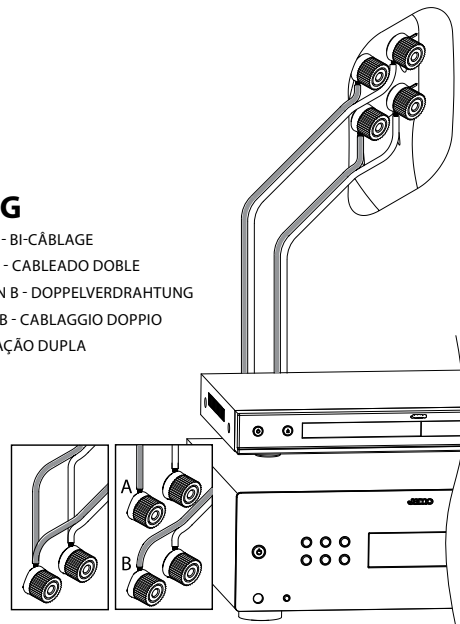
SETUP A SINGLE WIRING

CONFIGURATION A - CÂBLAGE SIMPLE
CONFIGURACIÓN A - CABLEADO SIMPLE
ANSCHLUSSOPTION A - EINZELVERDRÄHTUNG
CONFIGURAZIONE A - CABLAGGIO SINGOLO
INSTALAÇÃO A - FIAÇÃO SIMPLES
设置A - 单线连接



SETUP B BI-WIRING

CONFIGURATION B - BI-CÂBLAGE
CONFIGURACIÓN B - CABLEADO DOBLE
ANSCHLUSSOPTION B - DOPPELVERDRÄHTUNG
CONFIGURAZIONE B - CABLAGGIO DOPPIO
INSTALAÇÃO B - FIAÇÃO DUPLA
设置B - 双线连接



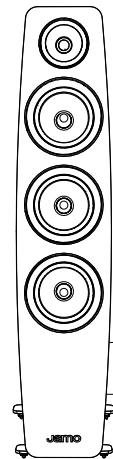
CONNECTIONS

BRANCHEMENTS • CONEXIONES • ANSCHLÜSSE • CONNESSIONI • CONEXÕES • 连接

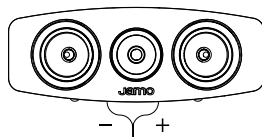
C 109 / C 103

Left

Gauche
Izquierdo
Links
Sinistra
Esquerdo
左



C 10 CEN



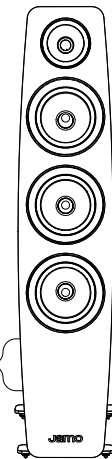
Center

Centre
Central
Mitte
centro
Central
中

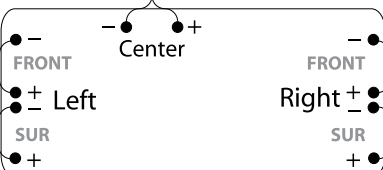
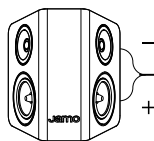
C 109 / C 103

Right

Droite
Derecho
Rechts
Destra
Direito
右



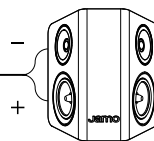
C 10 SUR



Front

Avant • Frontal • Vorn
Anteriore • Frontal • 前

C 10 SUR



Jamo®

jamo.com

©2014 Klipsch Group, Inc. All Rights Reserved

Jamo is a trademark of Klipsch Group, Inc., registered in the US and other countries.

Engineered by Klipsch Group, Inc., USA, Product of China

A Wholly-Owned Subsidiary of VOXX International Corporation

1-800-554-7724 • 3502 Woodview Trace, Indianapolis, IN USA 46268-1104