



AE Series U-Bracket Handbook

	Page
MTU U-BRACKETS -- Dimensional Drawings	
MTU-1	2
MTU-2	2
MTU-3	3
MTU-4	3
MTU-15	4
MTU-16	4
MTU-18	5
MTU-25	5
MTU-26	6
MTU-28	6

JBL MTU U-Brackets are designed for use with standard black and white models. MTU U-brackets will not fit on WRC and WRX models. Please refer to the JBL Pro website for all WRC and WRX drawings at http://www.jblpro.com/www/products/installed-sound/ae-series#.V9wng_krLcs or http://www.jblpro.com/www/products/installed-sound/ae-compact-series#.V9wn5_krJNA and click on the AE Series 2D WRC/WRX Drawings link located in the Media Library section.

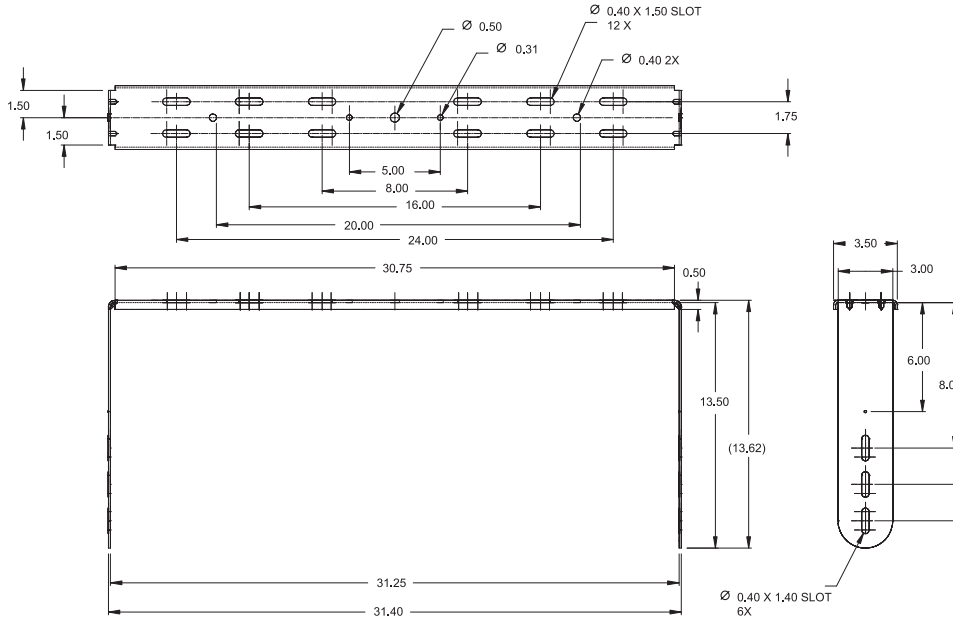
CAUTION

Installing speakers should only be undertaken by trained and qualified personnel. Refer to JBL Tech Note Vol 1, #14, "Basic Principles for Suspending Loudspeaker Systems", downloadable from www.jblpro.com/pages/tech_lib.htm. JBL Professional is not responsible for the use, misuse or misapplication of these products.

MTU U-Brackets

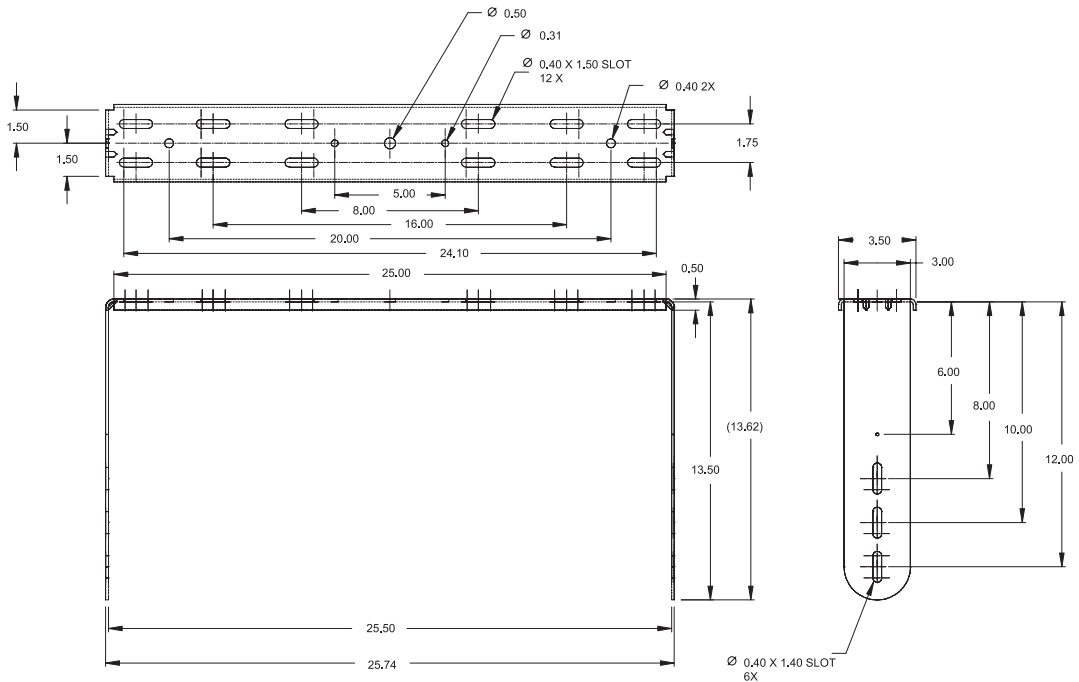
MTU-1

MTU-1 fits AM5215 and AM7215 models



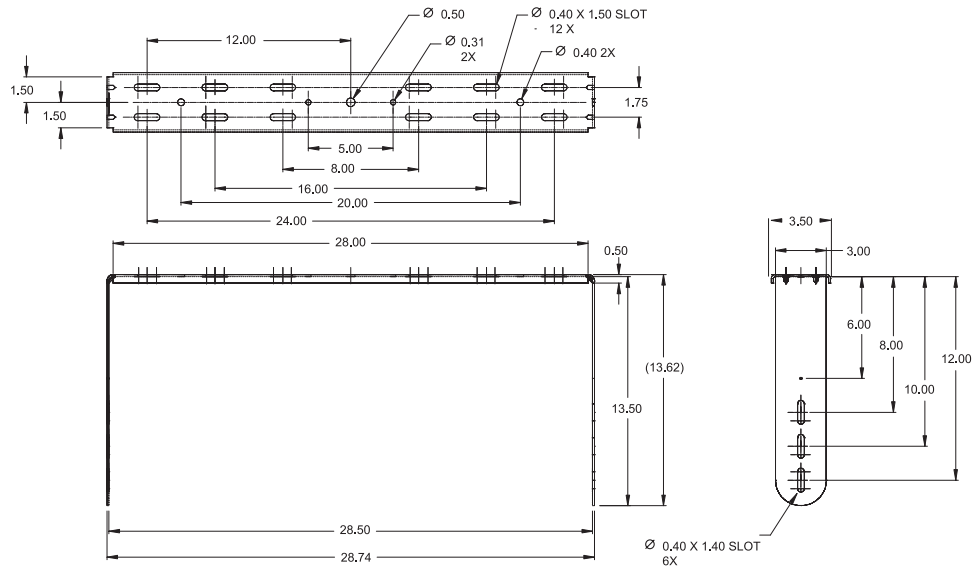
MTU-2

MTU-2 fits AC2215 models



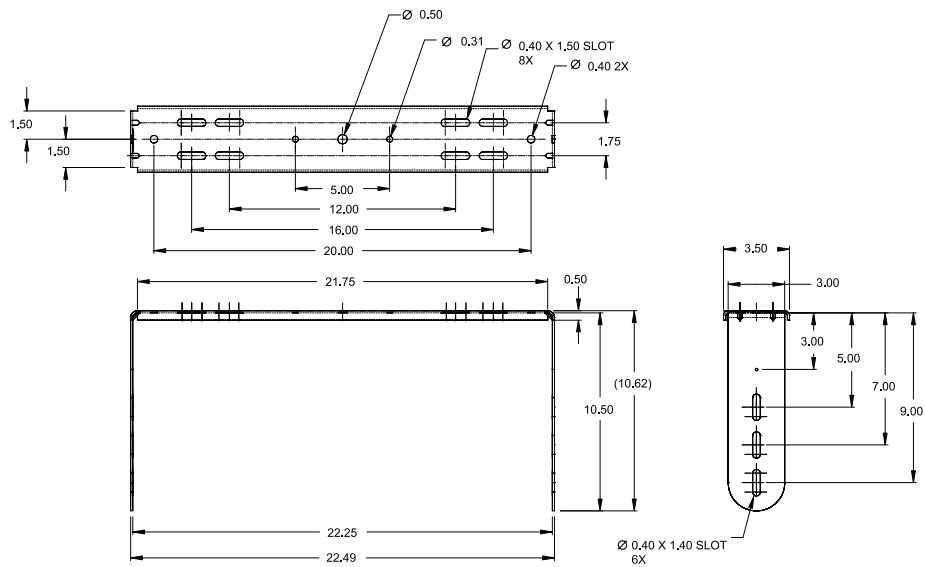
MTU-3

MTU-3 fits AM5212 and AM7212 models



MTU-4

MTU-4 fits AC2212 models

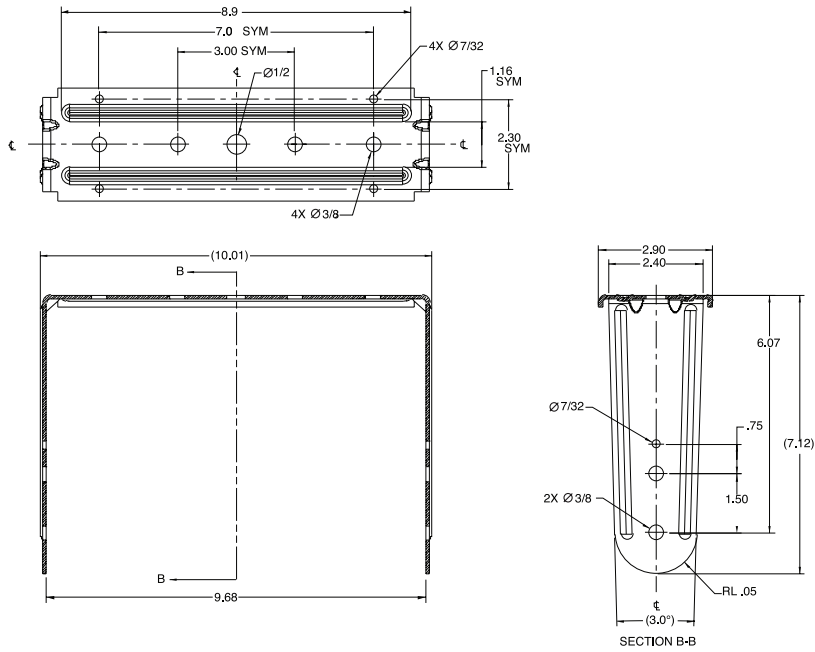


MTU U-Brackets

MTU-15

MTU-15 fits AC15 models

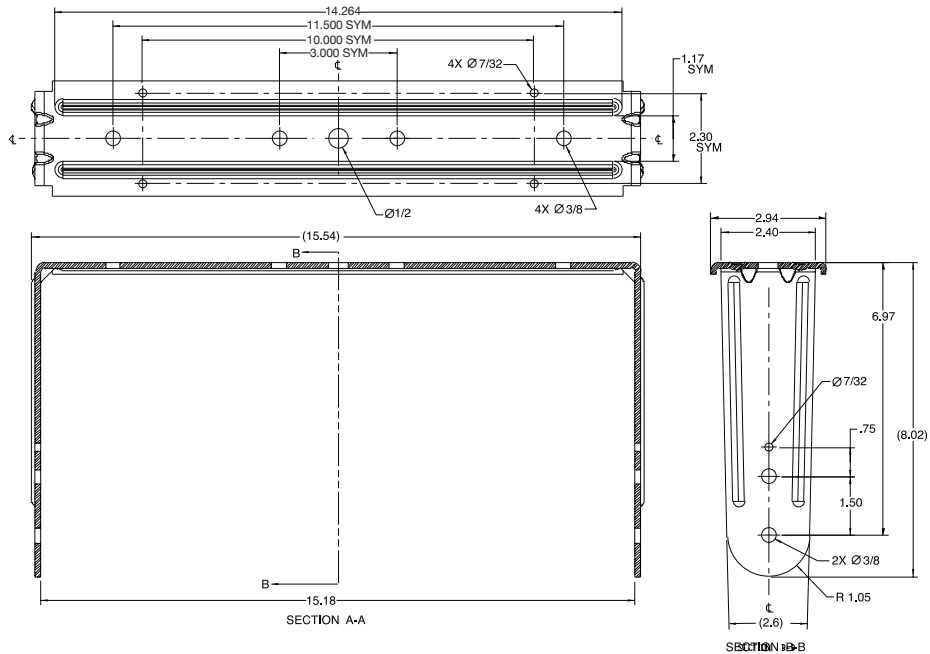
U-BRACKET - AC15



MTU-16

MTU-16 fits AC16 models

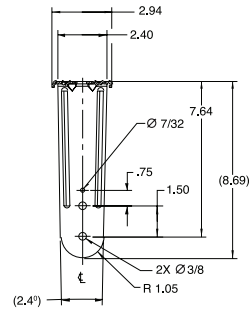
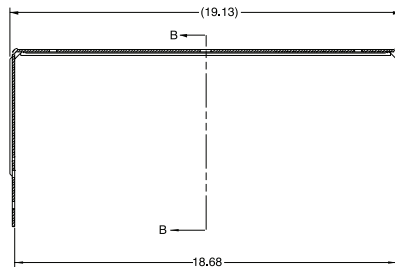
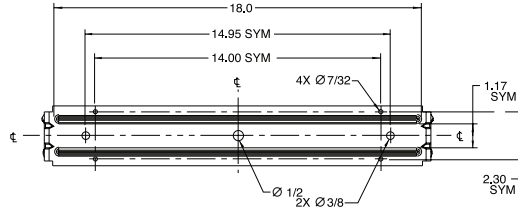
U-BRACKET - AC16



MTU-18

MTU-18 fits AC18 models

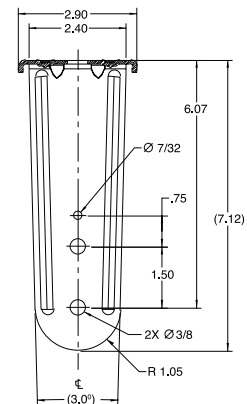
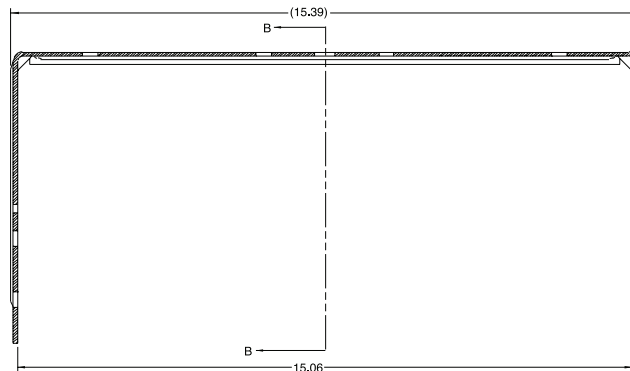
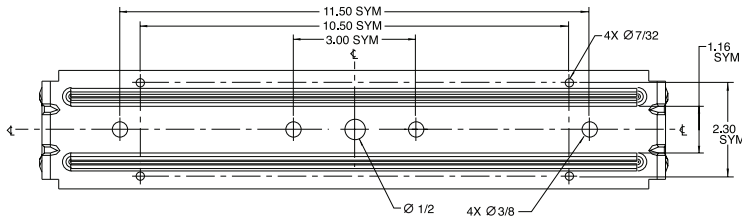
U-BRACKET - AC18



MTU-25

MTU-25 fits AC25 models

U-BRACKET - AC25

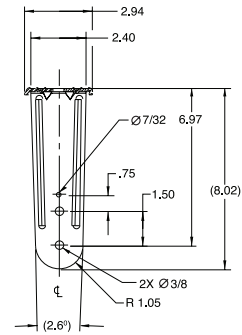
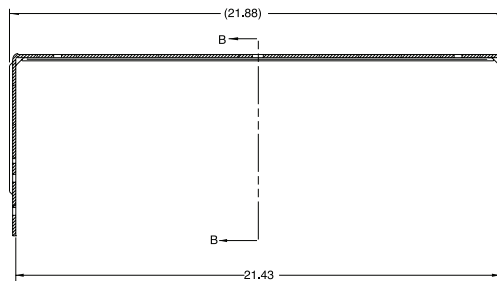
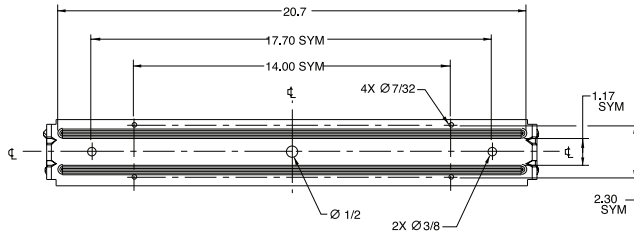


MTU U-Brackets

MTU-26

MTU-26 fits AC26 models

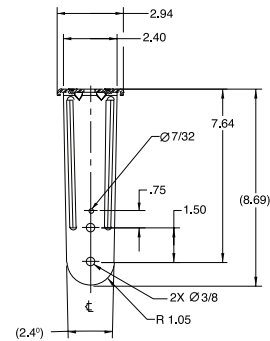
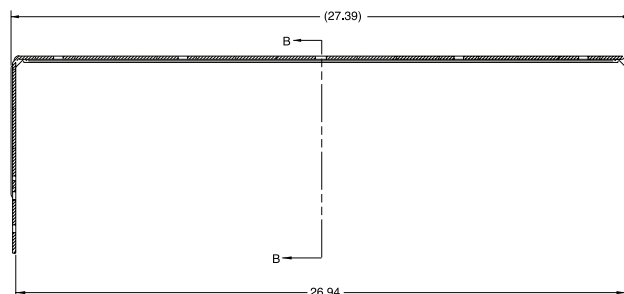
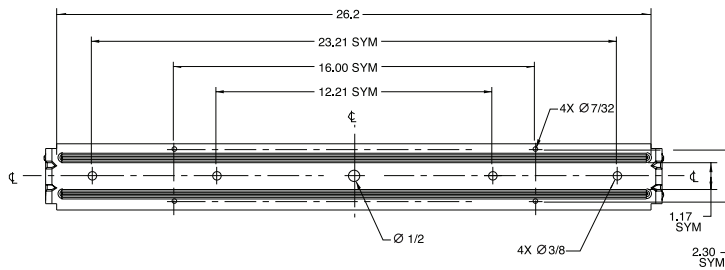
U-BRACKET - AC26



MTU-28

MTU-28 fits AC28 models

U-BRACKET - AC28





JBL Professional
8500 Balboa Boulevard, P.O. Box 2200
Northridge, CA 91329 U.S.A.
© Copyright 2016 JBL Professional

www.jblpro.com

AE BRK HANDBK 09/16