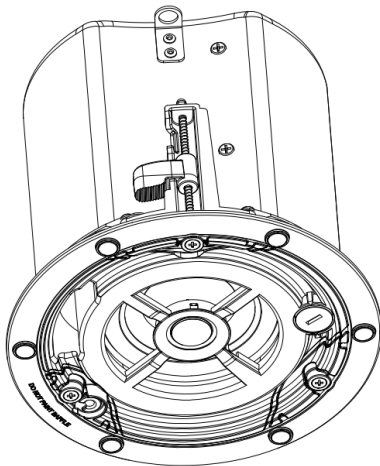
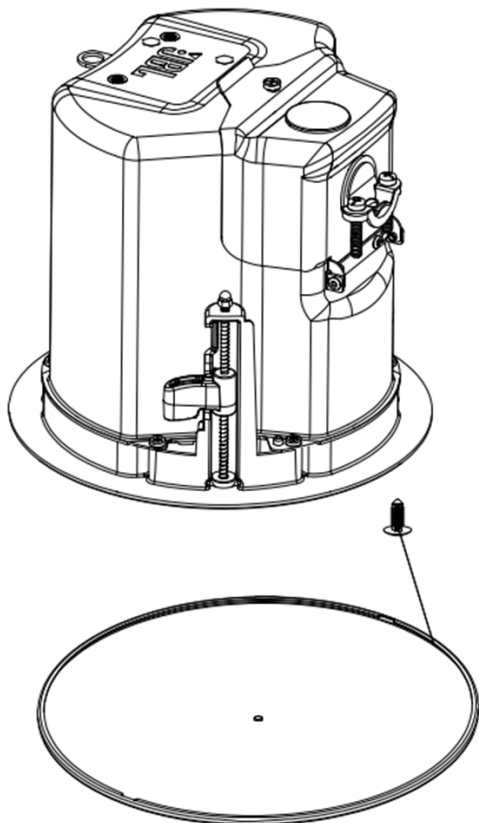


JBL Control 400 Standard Coverage series Ceiling Loudspeakers

Enceintes de plafond JBL Control 400 Norme de couverture
Enceintes de plafond JBL Control 400 Standard Coverage
JBL Control 400 Standard Coverage Serie Deckenlautsprecher
JBL Control 400 标准覆盖系列天花板扬声器
JBL Control 400 標準覆盖系列天花板揚聲器
Altavoces de techo de cobertura estándar JBL Control 400
JBL Control 400 Standard Coverage 시리즈 천장형 라우드 스피커



**Control 412C/T, Control 414C/T,
Control 416C/T, Control 418C/T,
Control 412C/T-VA, Control 414C/T-VA,
Control 416C/T-VA**



**Owner's Manual
Guide de l'utilisateur
Manuel de l'utilisateur
Benutzerhandbuch
用户手册
用戶手冊
Manual de instrucciones
사용 설명서**



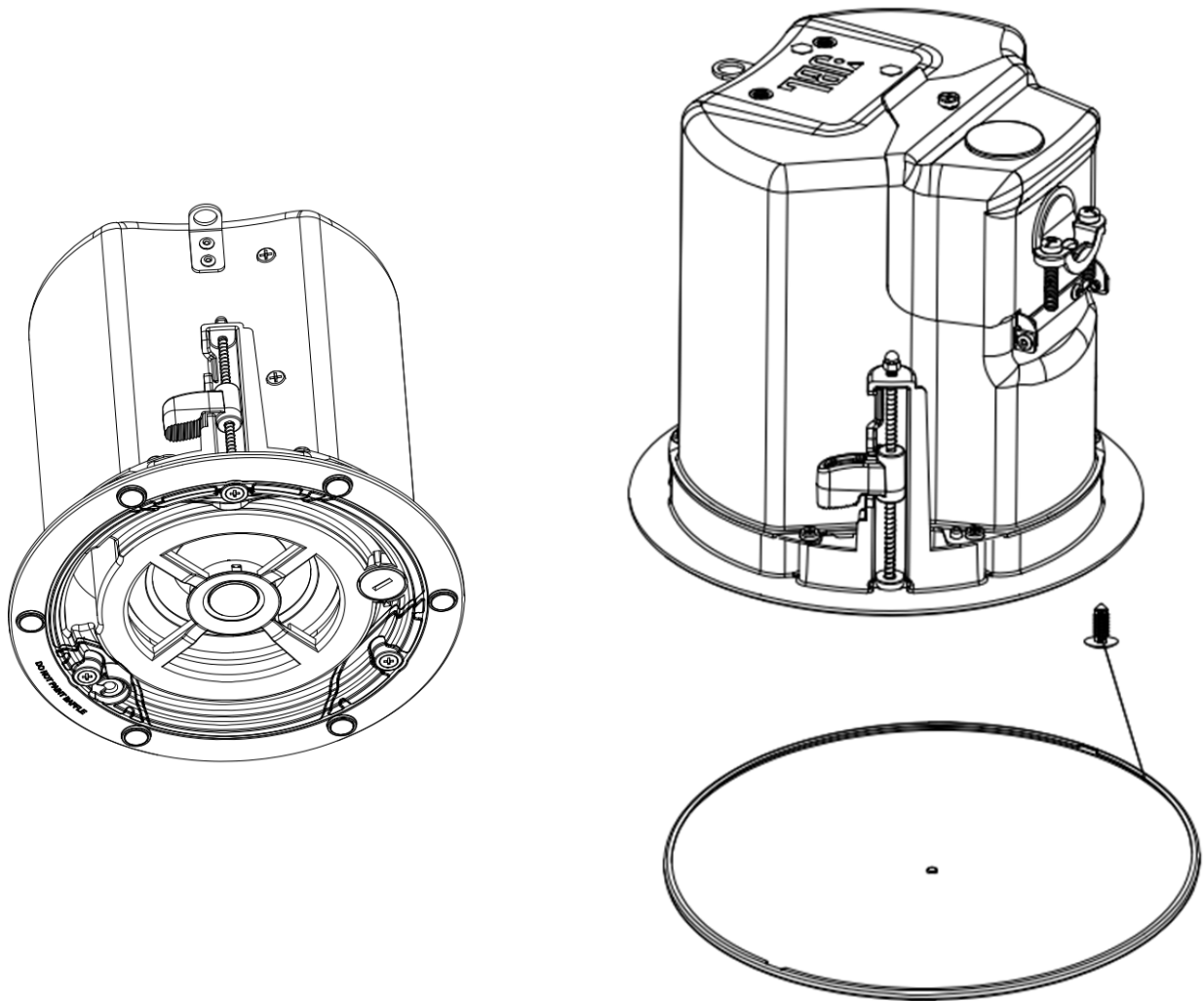
TABLE OF CONTENTS - SOMMAIRE - TABLE DES MATIÈRES - INHALTSÜBERSICHT - 目录 - 目錄 - ÍNDICE - 목차

| | |
|---|----|
| JBL Control 400 Standard Coverage series Ceiling Loudspeakers | 5 |
| 1. Important Safety Instructions..... | 6 |
| 2. Product Descriptions | 7 |
| 3. Product Feature Identification..... | 8 |
| 4. Installation Preparations | 9 |
| 5. Step-by-Step Installation and Wiring..... | 11 |
| 6. Painting the Grille..... | 19 |
| 7. Maintenance | 20 |
| 8. Replacement Parts..... | 20 |
| | |
| Enceintes de plafond JBL Control 400 Norme de couverture..... | 21 |
| 1. Consignes importantes de sécurité | 22 |
| 2. Description des produits..... | 23 |
| 3. Vue d'ensemble des caractéristiques du produit..... | 24 |
| 4. Préparations nécessaires à l'installation | 25 |
| 5. Installation et câblage étape par étape | 27 |
| 6. Peindre la grille du haut-parleur..... | 37 |
| 7. Entretien | 38 |
| 8. Pièces de rechange..... | 38 |
| | |
| Enceintes de plafond JBL Control 400 Standard Coverage..... | 39 |
| 1. Consignes de sécurité importantes | 40 |
| 2. Description des produits..... | 41 |
| 3. Visualisation des caractéristiques des produits | 42 |
| 4. Préparation à l'installation | 43 |
| 5. Installation et câblage étape par étape | 45 |
| 6. Peindre la grille | 53 |
| 7. Entretien | 55 |
| 8. Pièces détachées | 55 |
| | |
| JBL Control 400 Standard Coverage Serie Deckenlautsprecher..... | 56 |
| 1. Wichtige Sicherheitshinweise..... | 57 |
| 2. Produktbeschreibungen..... | 58 |
| 3. Identifizierung von Produktmerkmalen..... | 59 |
| 4. Vorbereitungen für die Installation | 60 |
| 5. Schritt-für-Schritt-Installation und Verkabelung | 62 |
| 6. Lackieren des Gitters | 71 |
| 7. Wartung | 72 |
| 8. Ersatzteile..... | 72 |

| | |
|--|-----|
| JBL Control 400 标准覆盖系列天花板扬声器..... | 73 |
| 1. 重要安全说明 | 74 |
| 2. 产品描述 | 75 |
| 3. 产品特征标识 | 76 |
| 4. 安装准备 | 77 |
| 5. 分步安装与接线..... | 79 |
| 6. 网罩喷涂 | 87 |
| 7. 维护 | 88 |
| 8. 替换部件 | 88 |
| | |
| JBL Control 400 標準覆蓋系列天花板揚聲器 | 89 |
| 1. 重要安全說明..... | 90 |
| 2. 產品描述 | 91 |
| 3. 產品特徵標識 | 92 |
| 4. 安裝準備..... | 93 |
| 5. 分步安裝與接線..... | 95 |
| 6. 網罩噴塗 | 103 |
| 7. 維護 | 104 |
| 8. 替換部件 | 104 |
| | |
| Altavoces de techo de cobertura estándar JBL Control 400 | 105 |
| 1. Instrucciones importantes de seguridad..... | 106 |
| 2. Descripciones de producto | 107 |
| 3. Identificación de características de producto | 108 |
| 4. Preparativos para instalación | 109 |
| 5. Instalación y conexión paso a paso..... | 111 |
| 6. Pintar la rejilla | 119 |
| 7. Mantenimiento | 121 |
| 8. Partes de repuesto..... | 121 |
| | |
| JBL Control 400 Standard Coverage 시리즈 천장형 라우드 스피커..... | 122 |
| 1. 중요 안전 지침 | 123 |
| 2. 제품 설명..... | 124 |
| 3. 제품 특징 안내 | 125 |
| 4. 설치 준비 | 126 |
| 5. 단계별 설치 및 배선..... | 128 |
| 6. 그릴 도색..... | 136 |
| 7. 유지보수 | 138 |
| 8. 교체용 부품 | 138 |

JBL Control 400 Standard Coverage series Ceiling Loudspeakers

Control 412C/T, Control 414C/T, Control 416C/T, Control 418C/T,
Control 412C/T-VA, Control 414C/T-VA, Control 416C/T-VA



Owner's Manual



1. IMPORTANT SAFETY INSTRUCTIONS

LOOK FOR THESE SYMBOLS:



Read the manual before use.



The lightning flash with arrowhead symbol within an equilateral triangle is intended to alert the user to the presence of uninsulated “dangerous voltage” within the product’s enclosure that may be of sufficient magnitude to constitute a risk of electrical shock to persons.



The exclamation point, within an equilateral triangle, is intended to alert the user to the presence of important operating and maintenance (servicing) instructions in the literature accompanying the product.



High sound pressure. Hearing damage risk.

WARNING: To be installed only by instructed or skilled persons using Harman approved mounting hardware and safeguards.

1. **READ, KEEP, and FOLLOW** all instructions. **HEED** all warnings.
2. Install and operate only as instructed to avoid creating a safety hazard.
3. This product is not intended for use in high-moisture or extended/intense sunlight (UV) environments. If exposure to these conditions is expected, cover the product appropriately or remove it from the environment.
4. Clean only with a dry cloth.
5. Ensure all equipment is **OFF** before making or breaking any connections.
6. Secure the speaker grill in place before powering the apparatus or putting it into service.
7. Refer all servicing to qualified service personnel. Servicing is required if the apparatus has been damaged in any way, such as by liquid or objects within the enclosure, exposure to rain or moisture, abnormal operation, or being dropped.
8. **DO NOT** install near any heat or flame sources.
9. Only use attachments/accessories specified by the manufacturer.
10. The Ingress Protection rating is dependent on additional hardware, thoroughly review those installation instructions before operating the product.

WEEE NOTICE:



This product must not be disposed of or dumped with your other household waste. You are liable of dispose of all your electronic or electrical waste equipment by relocating over to the specified collection point for recycling of such hazardous waste. Isolated collection and proper recovery of your electronic and electrical waste equipment at the time of disposal will allow us to help conserving natural resources. Moreover, proper recycling of electronic and electrical waste equipment will ensure the safety of human health and the environment. For more information about electronic and electrical waste equipment disposal, recovery, and collection points, please contact your local city center, household waste disposal service, shop from where you purchased the equipment, or manufacturer of the equipment.

HARMAN Professional, Inc.
8500 Balboa Blvd. Northridge, CA 91325, USA

EU: HARMAN Professional Denmark ApS
Denmark ApS, Olof Palmes Allé 44, 8200 Aarhus N, Denmark

UK: HARMAN Professional Solutions
2 Westside, London Road, Hemel Hempstead, HP3 9TD, UK

2. PRODUCT DESCRIPTIONS

Thank you for purchasing JBL Control 400 Standard Coverage series Ceiling Loudspeakers.

Read through this manual to familiarize yourself with the features, applications and precautions before you use these products.

The JBL Control 400 Standard Coverage series Ceiling Loudspeakers utilize innovative design and materials to provide premium level performance from compact in-ceiling speakers.

Control 412C/T is a full-range compact ceiling speaker with 3" wide-bandwidth driver. The speaker can be set for low-impedance (8Ω) operation or can be driven by either a 70V or 100V distributed speaker line. (SKU# is JBL-C412C/T)

Control 414C/T is a two-way coaxial full-range ceiling speaker with 4" woofer and ¾" tweeter. The speaker can be set for low-impedance (8Ω) operation or can be driven by either a 70V or 100V distributed speaker line. (SKU# is JBL-C414C/T)

Control 416C/T is a two-way coaxial full-range ceiling speaker with 6.5" woofer and ¾" tweeter. The speaker can be set for low-impedance (8Ω) operation or can be driven by either a 70V or 100V distributed speaker line. (SKU# is JBL-C416C/T)

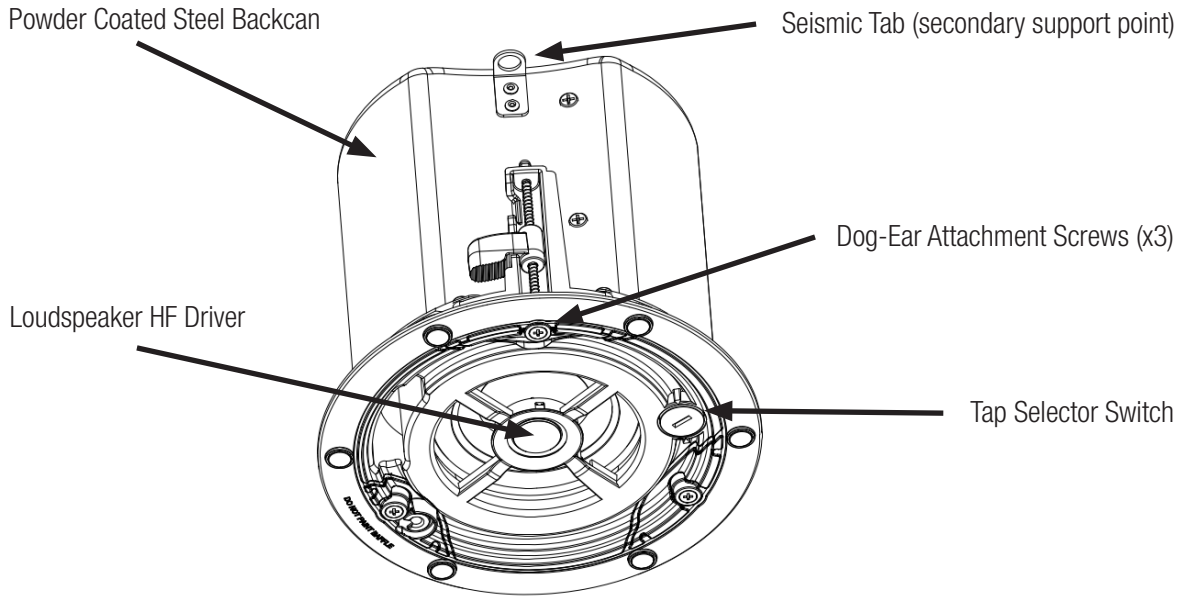
Control 418C/T is a two-way coaxial full-range ceiling speaker with 8" woofer and 1" tweeter. The speaker can be set for low-impedance (8Ω) operation or can be driven by either a 70V or 100V distributed speaker line. (SKU# is JBL-C418C/T)

Control 412C/T-VA is a life-safety version of the Control 412C/T that, in addition to being compliant with UL1480A Speakers for Commercial and Professional Use (which all the speakers in this series are), is also compliant with **EN54-24 Fire Detection and Fire Alarm Systems**. (SKU# is JBL-C412C/T-VA)

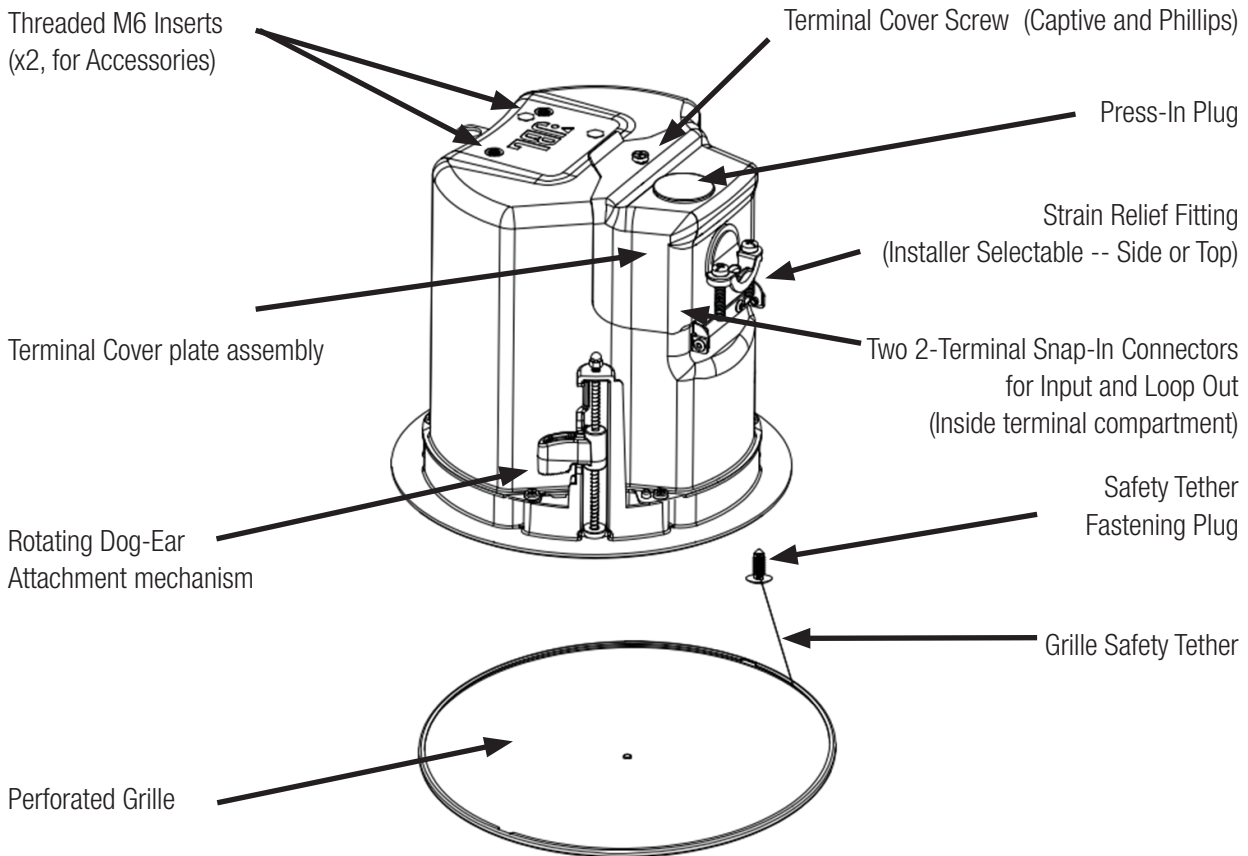
Control 414C/T-VA is a life-safety version of the Control 414C/T that, in addition to being compliant with UL1480A Speakers for Commercial and Professional Use (which all the speakers in this series are), is also compliant with **EN54-24 Fire Detection and Fire Alarm Systems**. (SKU# is JBL-C414C/T-VA)

Control 416C/T-VA is a life-safety version of the Control 416C/T that, in addition to being compliant with UL1480A Speakers for Commercial and Professional Use (which all the speakers in this series are), is also compliant with **EN54-24 Fire Detection and Fire Alarm Systems**. (SKU# is JBL-C416C/T-VA)

3. PRODUCT FEATURE IDENTIFICATION



(Shown with included grille removed)



4. INSTALLATION PREPARATIONS

The entire installation can be accomplished, if necessary, without requiring access above the ceiling. Bracketry for use with either suspended ceilings or sheetrock ceilings is included. The speaker is held securely in place via “dog-ear” mounting tabs which lock into place. Inputs and loop outs to the next speaker are attached to snap-in-place connector (included) which can be prewired before installing the speaker for ultra-fast snap-on installation.

OPTIONAL PRE-INSTALLATION BRACKETS

IN MOST CASES, NO BRACKETS OTHER THAN THE ONES INCLUDED WITH YOUR SPEAKER ARE REQUIRED.

Everything needed for most installations of these loudspeakers is provided with your Control Contractor ceiling speaker.

However, a particular procedure that is sometimes used for installation into sheet rock (typically gypsum board) can be facilitated by the use of JBL’s optional pre-installation brackets **before the sheetrock is installed**. The pre-installation bracket provides a bracket to which wiring can be strapped in-place behind the sheetrock. It can function as a cutout template when many cutouts are to be made in a production-line style installation. And it can reserve a location in the ceiling prior to the sheetrock getting installed. Two types of pre-installation brackets are available from JBL Professional as optional accessories:

1. The optional **NC NEW-CONSTRUCTION BRACKET** is made of flat sheet metal, with wings to attach to the building structure. Holes are drilled for nails or screws at 16 inches (406 mm) and 24 inches (610 mm) on-center. Additional holes can be drilled by the installer at other spacings up to a maximum of 24-3/4 inches (630 mm) apart. Sheet rock installs after the bracket gets installed, and the bracket provides a template for blind cutout of the hole in the sheet rock. For this process, the sheet rock is typically cut with a router-type cutting tool, using the bracket ring as a cutout guide.

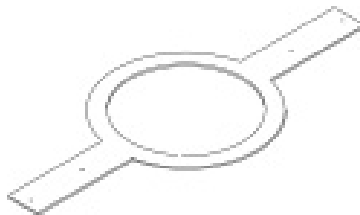


Figure 1:
Optional NC New -Construction Bracket

2. The optional **MR PLASTER-RING BRACKET** (or “Mud Ring”) contains a circular offset, forming an edge guide for sheet rock plastering. The bracket has wings that attach to the building structure. Sheet rock is typically either precut or cut with a rotary cutting tool using the outside of the plaster ring circle as a guide. The sheet rock hole is then plastered (or “mudded”) up to the ring to create a seamless cutout.

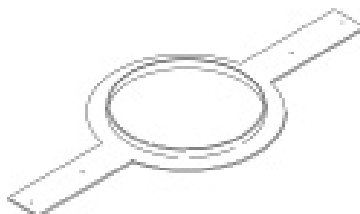


Figure 2:
Optional MR (“Mud Ring”) Plaster Ring Bracket

Table 1: Pre-Installation Brackets

| Model | New Construction Bracket | Plaster-Ring Bracket |
|---|--------------------------|----------------------|
| Control 412C/T, Control 414C/T, Control 412C/T-VA, Control 414C/T-VA | JBL-MTC-424NC | JBL-MTC-424MR |
| Control 416C/T, Control 416C/T-VA | JBL-MTC-426NC | JBL-MTC-426MR |
| Control 418C/T | JBL-MTC-447NC | JBL-MTC-447MR |

USING INCLUDED C-BRACKET WITH SHEETROCK

For most installations, the INCLUDED C-shaped backing plate provides adequate reinforcement to the ceiling material, distributing out the clamping force from the dogears. Even if one of the dogears lands on the opening between ends of the C, the rest of the dogears will land on it, so will be sufficient support for sheetrock installations.

CEILING CUTOUT SIZES

Packaged with the speakers are cardboard cutout templates for scribing the cutout hole onto your ceiling surface.

Table 2: Cutout Sizes

| Model | Cutout Size (diameter) |
|-----------------------------------|------------------------|
| Control 412C/T, Control 412C/T-VA | 168 mm (6.6 in) |
| Control 414C/T, Control 414C/T-VA | 168 mm (6.6 in) |
| Control 416C/T, Control 416C/T-VA | 223 mm (8.8 in) |
| Control 418C/T | 282 mm (11.1 in) |

OPTIONAL BG (black) and SG (square) GRILLES

Optional round black and white square grilles are available. The **JBL-MTC-xxxBG** grilles are round Black Grilles that can be utilized instead of the included stock white grille when black is called for. Alternatively, the stock white grille can be painted (see below). The **JBL-MTC-xxxSG** are white Square Grilles that can be utilized instead of the included stock grille when a square grille is desired. These grilles can be painted to the desired color (including black). These grilles completely cover the speaker assembly.

| Model | Black Round Grilles | Square Grilles |
|-----------------------------------|---------------------|----------------|
| Control 412C/T, Control 412C/T-VA | JBL-MTC-414BG | JBL-MTC-414SG |
| Control 414C/T, Control 414C/T-VA | JBL-MTC-414BG | JBL-MTC-414SG |
| Control 416C/T, Control 416C/T-VA | JBL-MTC-416BG | JBL-MTC-416SG |
| Control 418C/T | JBL-MTC-418BG | JBL-MTC-418SG |

5. STEP-BY-STEP INSTALLATION AND WIRING

The installation system has been designed so that the entire installation can be accomplished from beneath the ceiling for instances when access above the tile is not possible or practical. However, in some cases it may be easier -- with removable ceiling tiles, for example -- to access from both the top and bottom of the ceiling tile during various phases of the installation.

Note: the wiring method shall be in accordance with:

(1) In Canada, CSA C22.1, Canadian Electrical Code, Part I, Safety Standard for Electrical Installations, Section 32

(2) In the United States, NFPA 70.

Step 1 – Cut the Hole. Cutout the hole size either by tracing the included cardboard cutout template or by scribing a hole using the cutout size chart above. Use a safe tool such as a jigsaw to cut the hole and proper eye protection. Be precise, not deviating from the cutout diameter by more than 1/16th of an inch (1.5 mm). Pull the wiring through the cutout hole.

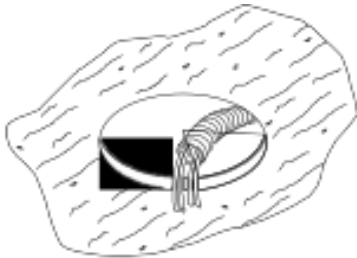


Figure 3:
Hole Cutout
(Shown: Wire in flex conduit)

Step 2 – Insert Backing Hardware Through the Hole. Packaged with the speakers are two types of backing hardware – a C-shaped backing-plate (“C-ring”) bracket and two tile rails.

Suspended Ceilings – Insert the C-ring through the hole cut in the ceiling tile (or set it in place from above the ceiling, if there is access). Place the C-ring around the hole with the tabs located as shown on Figure 4. Insert the tile rails through the cut hole in the ceiling tile. Snap the two rails into the two tabs in the C-plate and align the rails so

that the ends extend OVER the T-channel grid on the side of the tile. Secure the rails onto the C-ring tabs by inserting a screw through each tab into the rail. This can all be accomplished from below the ceiling tile, if necessary.

FOR SAFETY: IMPORTANT TO USE BRACKETS

ALL included support brackets – C-ring and tile rails -- MUST be used when installing into suspended ceiling tiles.

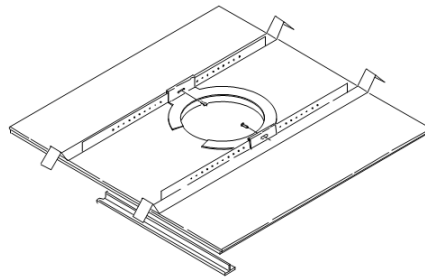


Figure 4:
C-Bracket and Tile Rail Positioning on Ceiling Tile

Tile Rails: The tile rails are designed to fit either standard 24-inch-wide tiles or 600-mm-wide tiles. The tile rail pieces do NOT physically attach to the T-grid struts. Instead, the inverted-V shape at the ends of the rails sits ABOVE the T-grid strut. During normal operation, the rails are supported by the edge of the tile. In the unlikely event that the tile comes out or falls apart, the ends of the support rails are designed to catch onto the T-grid, providing secure support to hold the loudspeaker assembly in place.

Optional accessory Tile rails JBL-MTC-48TRX4 (Pack of 4 Tile Rails) are also available for installation into larger 4' x 4' (1200 x 1200 mm) ceiling tiles.

Vibration Reduction: These loudspeakers can generate substantial audio output, which can cause buzzing of the ceiling materials or structure. Depending on the character of the ceiling tile and structure, the installer might need to place neoprene or other dampening material under the tile rails or the edges of the tiles to eliminate rattles.

Cutout Placement: The tile rails are pre-punched with attachment holes along their length. Placement is not limited to the center of the tile as is the case with many other tile rail support systems.

Non-Suspended Ceiling Types – For non-suspended ceiling types, the C-ring can be optionally used by itself to shore up the ceiling material and to spread out the clamping force from the tab clamps. Insert the C-ring through the cut hole in the ceiling and place it on the top side of the hole before inserting the speaker.

Step 3 – Plugging connectors into connector sockets in the speaker’s terminal cup.

Fully loosen the captive TERMINAL COVER retaining screw that is on the top panel of the backcan. This screw remains captive in the terminal cover (do not fully remove it).

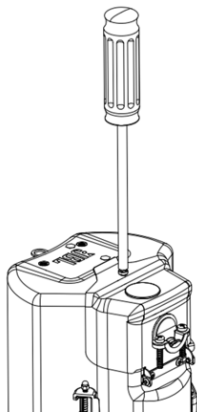


Figure 5:
Fully loosen the captive TERMINAL COVER screw

Open the TERMINAL COVER – The TERMINAL COVER hinge is on the side panel of the backcan for Control 412C/T, Control 412C/T-VA, Control 414C/T and Control 414C/T-VA.

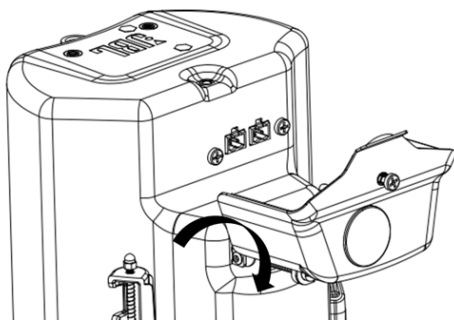


Figure 6A: Opening TERMINAL COVER
(Control 414C/T shown)

The TERMINAL COVER hinge is on the top panel of the backcan for Control 416C/T, Control 416C/T-VA and Control 418C/T.

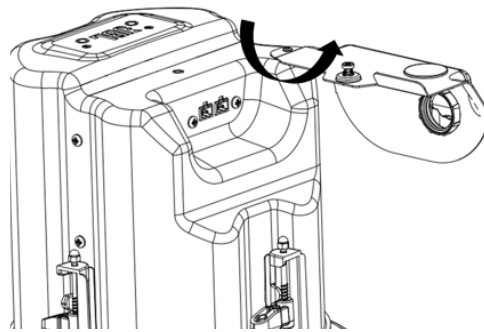


Figure 6C: Opening TERMINAL COVER
(Control 416C/T shown)

STRAIN RELIEF Location – To keep the speaker as shallow as possible, the default STRAIN RELIEF location – i.e., the wire exit – comes installed on the side of the backcan for Control 412C/T, Control 414C/T, Control 416C/T and Control 418C/T.

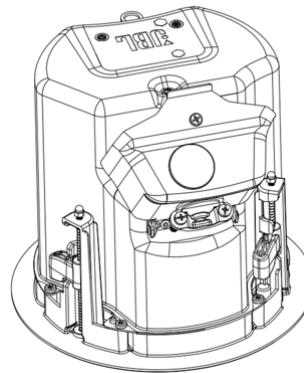


Figure 7: Strain relief on the side by default

However, optionally, if the installer wants the STRAIN RELIEF to be on the top panel of the backcan instead of on the side panel, follow these instructions:

OPTIONAL: MOVING STRAIN RELIEF TO TOP PANEL (For Non-VA Models)

[Optional Steps for Moving Strain Relief to Top Panel]

There are two same-diameter holes in the terminal cover, one on the top panel and one on the side panel. From the factory, the top hole is fitted with a PRESS-IN Plug and the side hole has the STRAIN RELIEF assembly. To swap them, open the terminal cover and press out the PRESS-IN PLUG (retain it for later).

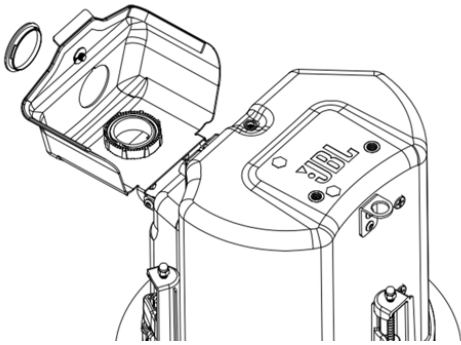


Figure 8: Push out the PRESS-IN PLUG

[Optional Steps for Moving Strain Relief to Top Panel]

From the inside of the TERMINAL COVER, unscrew the nut holding the STRAIN RELIEF.

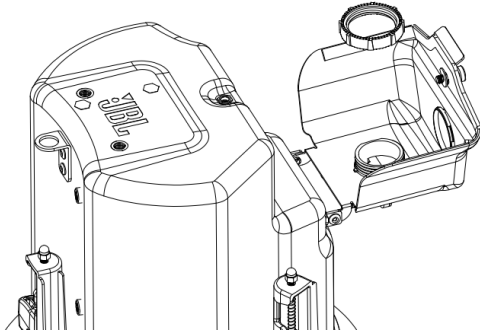


Figure 9: Unscrew the NUT

[Optional Steps for Moving Strain Relief to Top Panel]

Insert the STRAIN RELIEF into the top hole of the TERMINAL COVER. Tighten the nut holding the STRAIN RELIEF assembly.

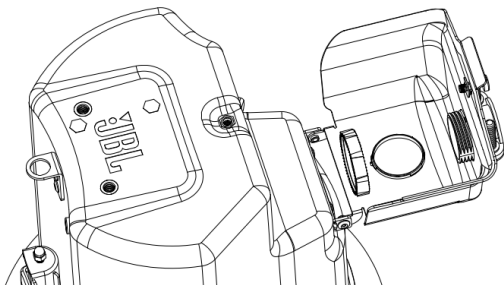


Figure 10: Move the strain relief to the top and lock it

[Optional Steps for Moving Strain Relief to Top Panel]

Insert the PRESS-IN PLUG into the side hole in the TERMINAL COVER.

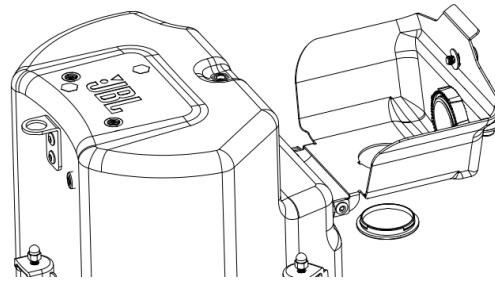


Figure 11: Insert the PRESS-IN PLUG

For Control 412C/T-VA, Control 414C/T-VA and Control 416C/T-VA there are two holes on top panel of the terminal cover. One is covered with a PRESS-IN PLUG.

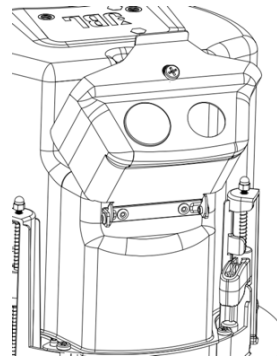


Figure 11A: Two holes on top by default

Install the Glandnut in the open hole. Make sure the Glandnut is affixed and tightened properly. A second Glandnut (not included) can be installed at the other hole (after removing the PRESS-IN PLUG) if two Glandnuts are desired.

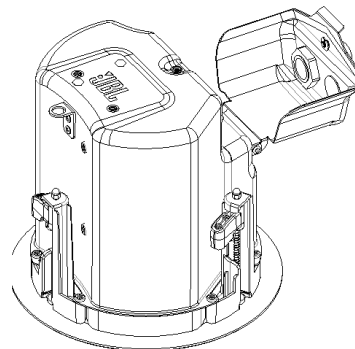


Figure 11B: Install Glandnut in the open hole

Step 4.1 – Connect the Wiring to the Removable Locking Connector(s) (For Control 412C/T, Control 414C/T, Control 416C/T and Control 418C/T) – Two 2-pin removable locking connectors are included with the speaker – one for IN and the other for LOOP OUT. Connect the wiring to the removable locking connectors by stripping the insulation back about 5 mm (about 3/16 inch) – stripping the wire longer risks shorting and stripping the wire shorter risks a poor connection to the connector. Insert the bare end of wire into the connector and screw down the hold-down screw until tight using a small flat blade screwdriver. Tighten any unused screws to avoid vibration. Double-check that the wires are not frayed, and that bare wire is not exposed (either of which can lead to shorting between the wires).

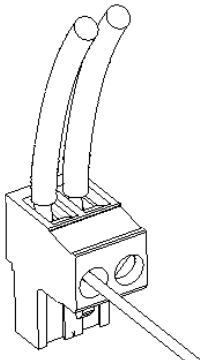


Figure 12: Connecting Wires to Removeable Locking Connector (Shown with individual un-jacketed wires, with 2 input wires)

Guide to the Pins for Connection -- The 2 removable locking input connectors contain 2 terminals each. The pin functions are listed on the label located on the terminal cover plate.

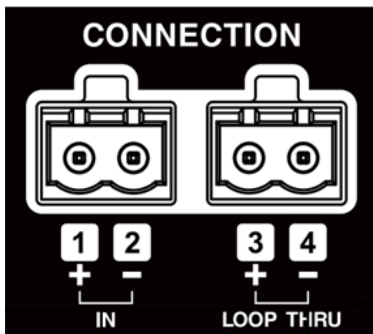


Figure 13: Connector Pins (Control 418C/T Shown)

Pins 1 & 2 (on one of the 2-pin connectors) are the “+” and “-” inputs to the loudspeaker. Pins 3 & 4 are connected to pins 1 & 2, respectively (Pin 1 connects to Pin 3 and Pin 2 connects

to Pin 4) inside the speaker. Pins 3 & 4 are the loop-through connections to subsequent loudspeakers.

For connecting subsequent speakers, connect the wire pair of the subsequent speaker to pins 3 & 4 (LOOP THRU).

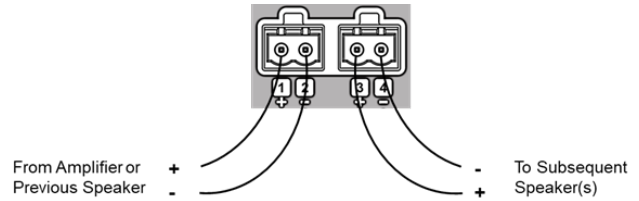


Figure 13: Connector Pins

Slide the already-wired 2-pin connector(s) through the STRAIN RELIEF

Connect speaker wire to 2-pin connector(s)

- Wiring Connector(s) – Connect speaker wire to connectors, observing proper +/- polarity and making sure there are no frayed strands of wire or excessive exposed conductors exposed that could short together.

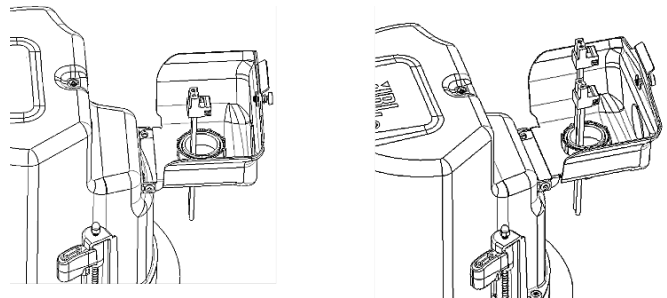


Figure 14: Slide connectors through strain relief

- If IP33 rating is desired, then use Rubber Boot(s) and follow these instructions:

[Optional steps for Connect the Wiring to the Removable Locking Connector(s)]

Slide wire through strain relief from external to internal.

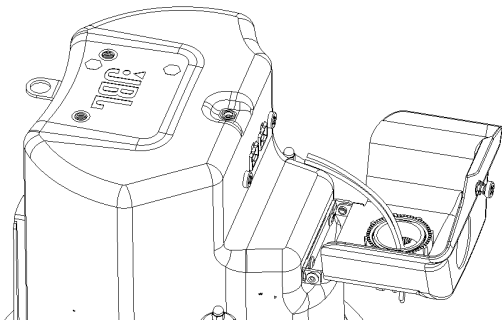


Figure 15: Slide wire through strain relief

[Optional steps for Connect the Wiring to the Removable Locking Connector(s)]

Slide wire through the rubber boot from the small square opening and out from the other opening.

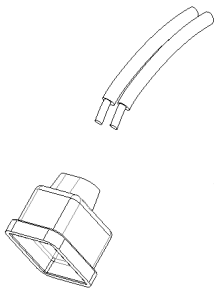


Figure 16: Slide the wire through the rubber boot

[Optional steps for Connect the Wiring to the Removable Locking Connector(s)]

Connect wire cord to the connector.

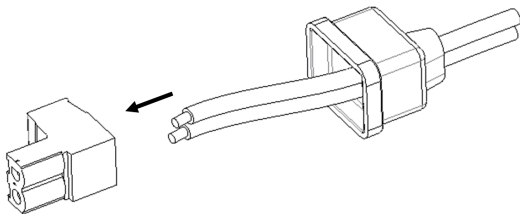


Figure 17: Connect wire cord to the connector

[Optional steps for Connect the Wiring to the Removable Locking Connector(s)]

Lock the connector with screwdriver.

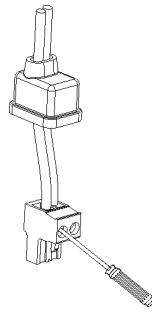


Figure 18: Lock the connector with screwdriver

[Optional steps for Connect the Wiring to the Removable Locking Connector(s)]

Slide Rubber boot close to the plug.

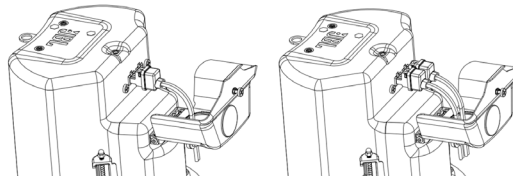


Figure 19: Slide Rubber boot close to the plug

[Optional steps for Connect the Wiring to the Removable Locking Connector(s)]

Add silicone glue on the opening of Rubber boot as shown to seal the joint.

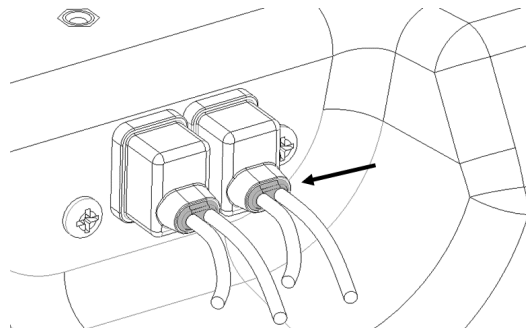


Figure 19A: Add silicone glue

Step 4.2 – Connect the Wiring to the Removable Locking Connector(s) (For Control 412C/T-VA, Control 414C/T-VA and Control 416C/T-VA) – There is a Ceramic Terminal Block attached to the speaker. Strip the insulation back about 5 mm (about 3/16 inch). Do NOT strip wires back any longer than this. Insert the bare end of wire fully into the connector (not allowing any bare wire outside of connector). Only utilize the side of the terminal where there aren't already wires connected.

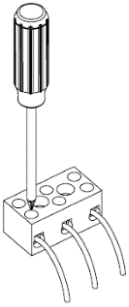


Figure 19A: Connecting wires to the Ceramic terminal block (Note that the right-hand wire shown in diagram is optional. It only needs to be connected if the chassis of the

loudspeaker. Add a second set of wires in parallel to the same terminals if a second wire is utilized for looping to another loudspeaker. Screw the hold-down screw until tight using a small Philips-type screwdriver. Tighten any unused screws to avoid rattling from vibration.

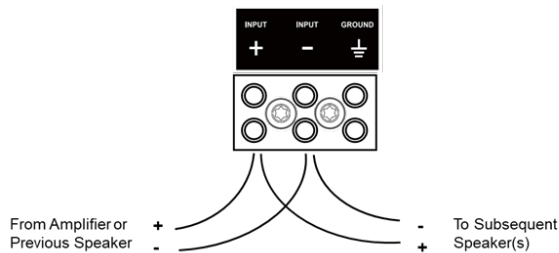


Figure 19B: Connecting two sets of wires to the Ceramic Terminal Block for loop-out to a subsequent loudspeaker.

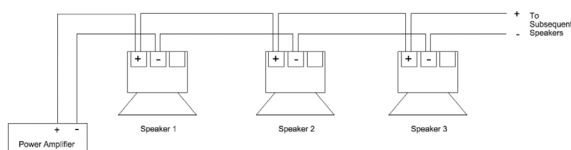


Figure 19C: Paralleling connections to multiple speakers for 70V or 100V distributed speaker systems.

Guide to the Pins for Connection -- The Ceramic Terminal Block contains 3 terminals, as marked on the connector as

+ INPUT, - INPUT and GROUND.

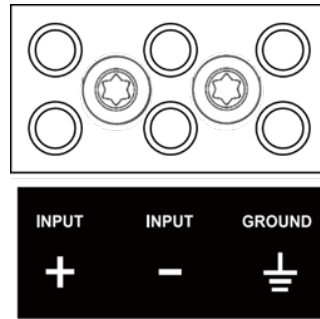


Figure 19D: Terminals

Step 5 – Plug the already-wired 2-pin connector(s) into the 2-pin SOCKET(S) – Observe proper plus and minus polarity and orient the connectors in accordance with the label.

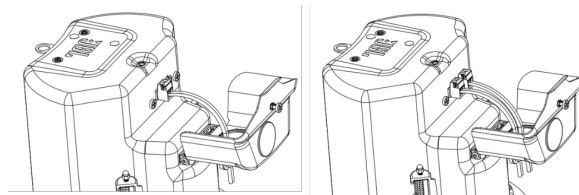


Figure 20: Plug connectors into the sockets if no rubber boots [Optional Steps for Moving Strain Relief to Top Panel]

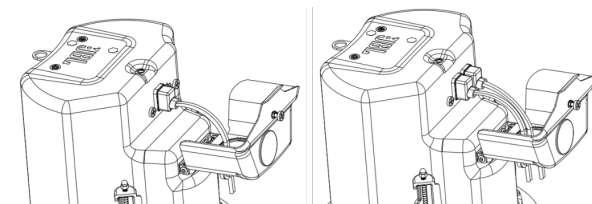


Figure 21: Plug connectors into the sockets and move the rubber boot to cover the connectors if rubber boots are used

Step 6 – Close and Secure TERMINAL COVER – Close the terminal cover and secure it with the screw that is captive in the TERMINAL COVER.

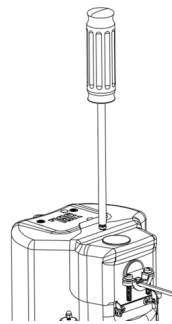


Figure 22: Closing TERMINAL COVER and tightening the screw

Step 7 – Tighten STRAIN RELIEF clamping mechanism

with the included 2 screws.

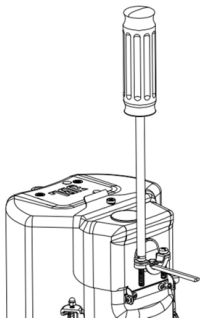


Figure 23: Tightening the Strain Relief Clamping Mechanism (Shown with STRAIN RELIEF on the side location and with unjacketed wires)

IMPORTANT:



Always follow building codes and regulations for the area and type of construction.

Step 8 – Insert the Speaker into the Ceiling and Tighten.

Insert the speaker into the ceiling cutout as far as it goes, until the back of the front baffle rim touches the ceiling.

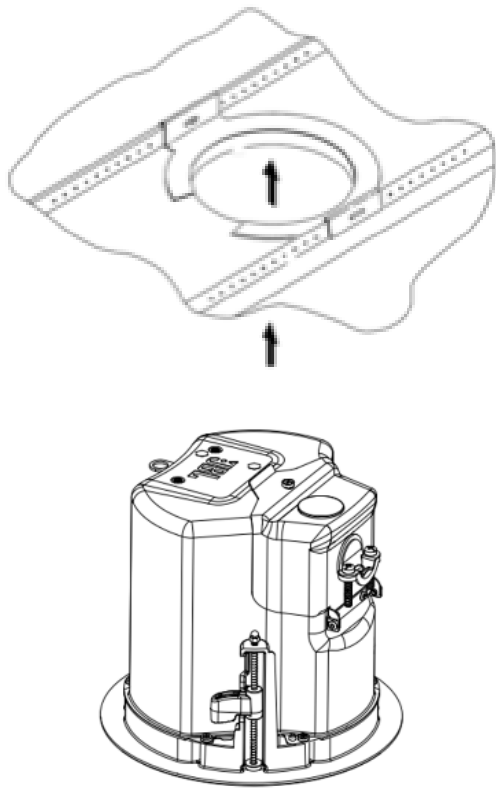


Figure 24: Insert Speaker through Ceiling Cutout

Tighten Dogears -- **IMPORTANT** -- For each attachment

screw, **FIRST** turn ½ turn **COUNTER-CLOCKWISE** to release the dog-ear mounting tab from its storage location.

Then tighten the mounting tabs by turning the screw **CLOCKWISE** until tight onto the top of the ceiling surface. Adjust the torque to meet the characteristics of the ceiling material **DO NOT OVERTIGHTEN.**

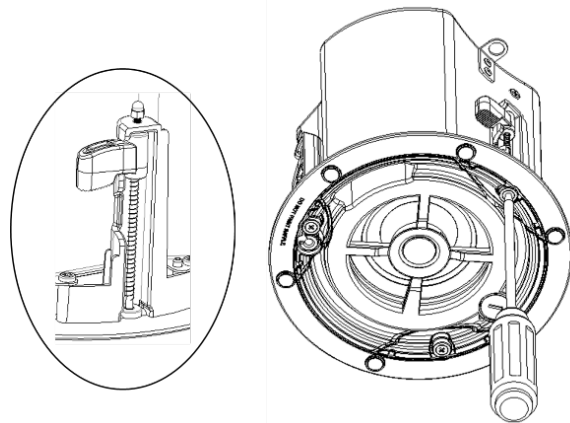


Figure 25: Tighten Dogear Mounting Tabs

Number of Dog-Ears, by Model

| Model | Number of Dog-Ear screws |
|--|--------------------------|
| Control 412C/T, Control 412C/T-VA, Control 414C/T, Control 414C/T-VA | 3 dog-ears |
| Control 416C/T, Control 416C/T-VA, Control 418C/T | 4 dog-ears |

For use in thick ceilings – By default, dogear tab is in the middle of the travel and for most ceiling depths it can be used as it is. For thick ceilings where the tabs need to be at their highest position, turn all the screws **COUNTER-CLOCKWISE** till the hard stop (while making sure the tab is not held in the middle), before inserting the speaker through the ceiling cutout.

When removing the speaker, rotate all the dogear screws in a **COUNTER-CLOCKWISE** direction until each screw stops. Once all the screws have reached a hard stop the dogears will be folded, and the speaker can be removed from the ceiling. Make sure to support the speaker when loosening the dogear screws to prevent speaker from falling.

Step 9 – Connect a Secondary Support Line to SEISMIC TAB – A tab is provided on the side of each speaker for

connection to an independent secondary support point. Some construction codes require using this secondary support point, which requires connecting a support line to a separate secure support point on the building structure. Consult construction codes in your region.

IMPORTANT:



Control Contractor ceiling speakers can generate substantial vibration. A secondary support cable to the seismic tab should be used as a secondary support point in case the ceiling tile or support structure breaks.

Step 10 – Adjust Tap Selector – The tap selector switch is located on the front baffle. Adjust the tap setting before placing the grille and before applying signal to the speaker. In some installations it is advisable to leave the grilles OFF to allow final adjustment of the taps for the system.

“NC” = No Connection. (Do not use this setting with a 100V distributed system)

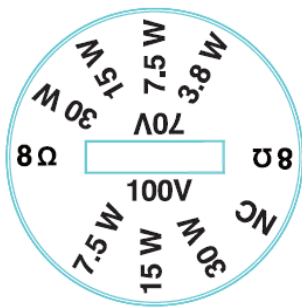


Figure 26: Tap Selector (Control 416C/T Shown)

Step 11 – Insert the safety Tether fastening plug and Attach the Grille – The grille comes with a safety tether tied to it. Insert the fastening plug at the open end of the tether (which comes pre-attached to the grille) into the included socket on the baffle. Make sure the plug is inserted completely in the socket and does protrude out blocking the grille from attaching properly.

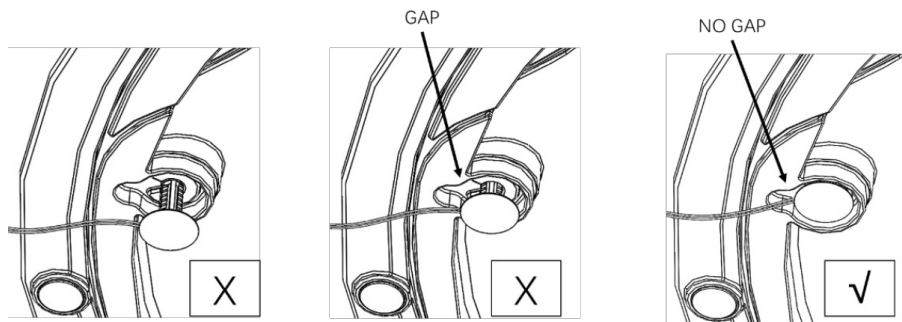


Figure 27: Ensure the plug is inserted fully

Then position the grill in front of the speaker, taking care not to run the tether cable directly in front of one of the drivers (or else it could buzz with vibration). Make sure the grille is held securely magnetically in place such that it will not loosen or fall due to vibration.

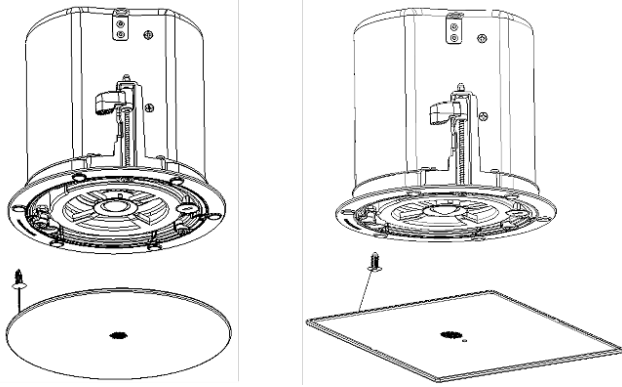


Figure 28: Attach the Grille

6. PAINTING THE GRILLE

IMPORTANT:



For Control 412C/T-VA, Control 414C/T-VA and Control 416C/T-VA (Life Safety models) – In order to maintain flammability rating **DO NOT** paint the grille or change factory applied finish.

For the other Control Contractor Standard Coverage Series models, the grille's white finish complements most decor and does not need further finishing. Where the interior design requires it, these grilles are easy to paint. The grille covers the entire speaker, so it can be painted prior to speaker installation.

IMPORTANT:



DO NOT paint the baffle of the speaker. Having paint between the magnet and the grille would diminish the ability of the magnets to hold the grille.

For best results, it is recommended to use the following procedure:

- Gently remove the grille backing material from the back of the grille without tearing it. Set it aside for re-application after painting. Either mask or remove the grille logo (for reapply after painting). **DO NOT** remove the edge trim.
- Clean the grille and edge trim with a light solvent such as mineral spirits by rubbing the item with a lightly dampened cloth. Do not, however, use abrasives such as sandpaper or steel wool (which can remove the grille's rust resistant plating). Do not use gasoline, kerosene, acetone, MEK, paint thinner, harsh detergents or other chemicals. Use of these cleaners may result in permanent damage to the grille assembly. Do not sand the grille.
- Spray one or more thin coats of paint. Be careful not to fill in the perforation holes (they are needed for the sound to go through – occluding them will harm the sound quality of the speaker).

- After the paint has thoroughly dried, reinstall the grille backing material to the back of the grille. If the grille backing has shrunk since removal, stretch it back to size to mask properly. If the grille backing has stretched since removal, trim to size.
- If the tackiness remaining on the back of the grille is not enough to securely hold the backing material in place (or if it got covered over by the paint), apply a very light coat of spray adhesive to the back of the grille.
- Lightly spray the adhesive to the BACK OF THE GRILLE rather than to the front of the backing material. If an adhesive says to spray both sides, use a different adhesive. Spraying adhesive on the front of the backing material can expose glue to the open air through the perforations, which can attract and hold dust from the air, impairing the clean look of the speaker.
- DO NOT place the front of grille on any surface where additional adhesive may have been sprayed. Doing so can deposit adhesive on the front of the grille surface, and similarly attract and hold dust and dirt.
- If the JBL logo was removed (rather than simply being masked), re-apply the JBL logo to the center of the grille. There is a shallow indent in the center of the grille to indicate where the logo goes.

Mask the Speaker If the Ceiling Gets Painted – The speaker itself should not be painted. The grille completely covers the speaker, and the speaker’s front baffle is black to properly disappear visually behind the grille and grille backing material. If the ceiling gets painted after the speaker is in place, it’s important to fully mask the speaker (including the edges of the baffle) prior to such painting so that no paint gets onto the drivers, or onto the baffle where any inconsistencies in color may be visible through the grille.

7. MAINTENANCE

No maintenance is required when installed in accordance with installation and wiring guidelines described in this manual.

8. REPLACEMENT PARTS

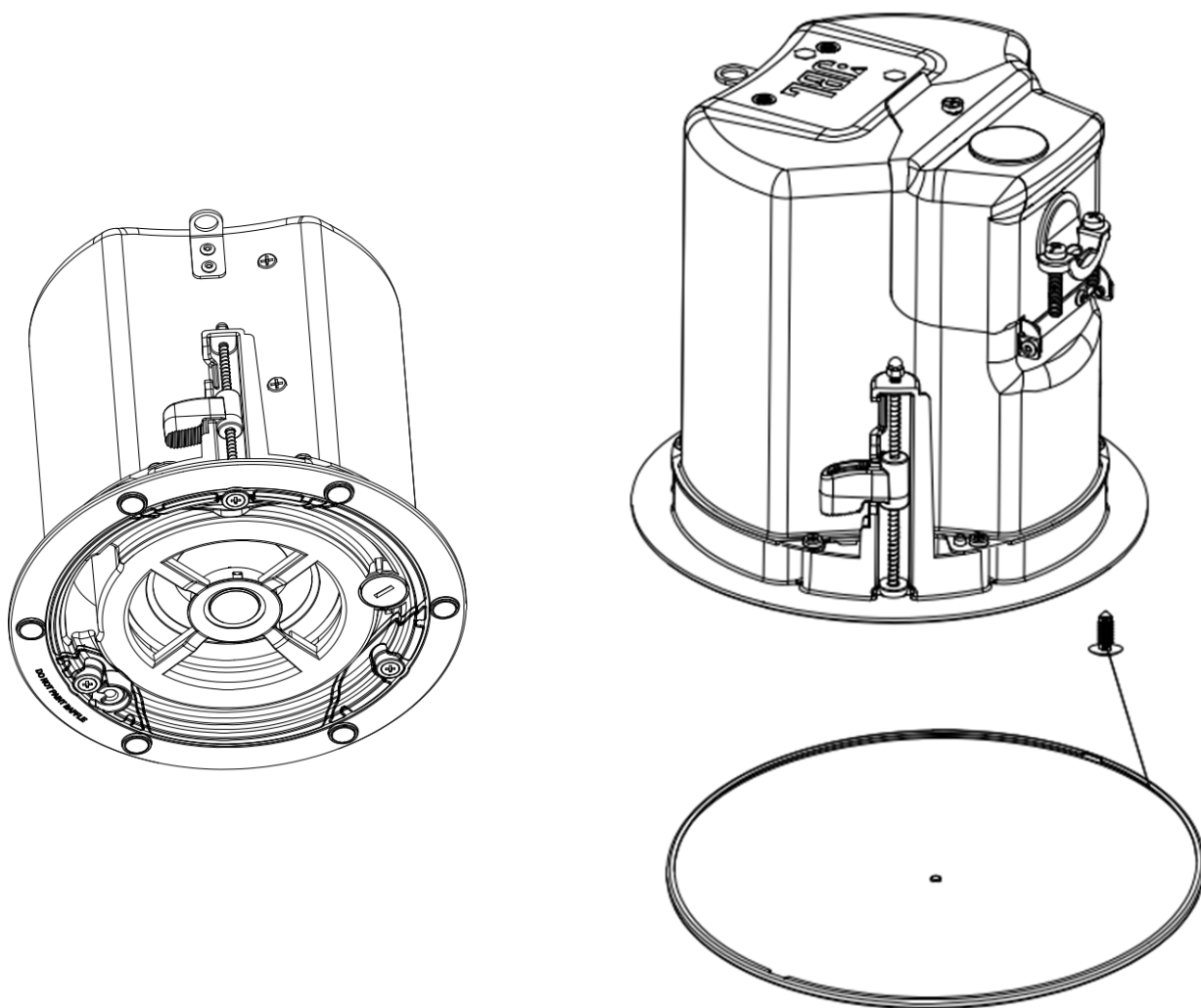


There are no user serviceable parts inside these speakers. Refer servicing to an authorized JBL Service Center. For the name of an authorized Service Center in your area, contact JBL Professional at the appropriate address from those listed on [page 5](#).

Enceintes de plafond JBL Control 400

Norme de couverture

Control 412C/T, Control 414C/T, Control 416C/T, Control 418C/T,
Control 412C/T-VA, Control 414C/T-VA et Control 416C/T-VA



Guide de l'utilisateur



1. CONSIGNES IMPORTANTES DE SÉCURITÉ

RECHERCHEZ CES SYMBOLES :



Consulter ce guide avant toute utilisation.



Le symbole d'un éclair avec une pointe de flèche dans un triangle équilatéral signale à l'utilisateur la présence d'une « tension dangereuse » non isolée à l'intérieur du boîtier du produit, d'une intensité pouvant présenter un risque de décharge électrique.



Le symbole du point d'exclamation dans un triangle équilatéral signale à l'utilisateur la présence d'instructions essentielles sur l'utilisation et l'entretien dans la documentation fournie avec le produit.



Niveau sonore élevé. Risque de détérioration de l'audition.

ATTENTION : L'installation doit être effectuée uniquement par du personnel qualifié ou formé, en utilisant exclusivement les accessoires de montage et les dispositifs de sécurité approuvés par Harman..

1. LIRE, **CONSERVER et SUIVRE** toutes les instructions. **RESPECTER** tous les avertissements.
2. L'installation et l'utilisation doivent être conformes aux instructions pour prévenir tout risque de sécurité.
3. Ce produit n'est pas conçu pour être utilisé dans des conditions d'humidité élevée ou sous une exposition prolongée/intense au soleil (UV). Pour éviter ces conditions, veuillez couvrir le produit de manière appropriée ou le retirer de l'environnement.
4. Nettoyer uniquement avec un tissu à sec.
5. Avant de procéder à toute connexion ou déconnexion, tous les équipements doivent être mis **HORS TENSION (OFF)** avant toute intervention.
6. La grille du haut-parleur doit être installée avant d'alimenter l'appareil ou de le mettre en service.
7. Toutes les réparations doivent être effectuées par du personnel qualifié. Une réparation est requise si l'appareil a subi des dommages, tels que des infiltrations de liquide ou d'objets dans le caisson, une exposition à la pluie ou à l'humidité, un fonctionnement anormal ou une chute du produit.
8. **NE JAMAIS** installer près de sources de chaleur ou de flammes.
9. Utiliser uniquement les pièces jointes/accessoires spécifiées par le fabricant.
10. L'indice de protection contre les infiltrations peut varier en fonction du matériel supplémentaire. Lire attentivement les instructions d'installation avant de mettre le produit en service.

DIRECTIVE DEEE :

Ce produit ne doit pas être jeté avec vos autres déchets ménagers. Vous êtes responsable de déposer tous vos équipements électroniques ou électriques dans un point de collecte désigné pour leur recyclage en tant que déchets dangereux. Une collecte séparée et une récupération appropriée de vos équipements électroniques et électriques lors de leur élimination contribueront à la préservation des ressources naturelles. Par ailleurs, un recyclage adéquat des déchets électroniques et électriques permettra de protéger la santé humaine et l'environnement. Pour toute information supplémentaire sur l'élimination, la récupération et les points de collecte des équipements électroniques et électriques, veuillez contacter votre municipalité locale, le service de gestion des déchets ménagers, le magasin où vous avez acheté l'équipement ou le fabricant du produit.



HARMAN Professional, Inc.
8500 Balboa Blvd. Northridge, CA 91325, USA

EU: HARMAN Professional Denmark ApS
Denmark ApS, Olof Palmes Allé 44, 8200 Aarhus N, Denmark

UK: HARMAN Professional Solutions
2 Westside, London Road, Hemel Hempstead, HP3 9TD, UK

2. DESCRIPTION DES PRODUITS

Merci d'avoir acheté les haut-parleurs de plafond JBL Control 400 Standard Coverage.

Avant d'utiliser ces produits, nous vous recommandons de lire ce guide d'utilisation pour en apprendre davantage sur leurs caractéristiques, leurs applications et les précautions à suivre.

Les enceintes de plafond de la série JBL Control 400 Standard Coverage utilisent une conception et des matériaux novateurs pour offrir des performances de niveau supérieur à partir d'enceintes compactes encastrées au plafond.

Control 412C/T: le Control 412C/T est un haut-parleur de plafond compact à gamme complète doté d'un grand transducteur bande de 3 pouces. Il peut être configuré pour un fonctionnement en basse impédance (8 Ω) ou être alimenté par une ligne de haut-parleurs distribuée en 70V ou 100V. (#UGS JBL-C412C/T)

Control 414C/T: le Control 414C/T est un haut-parleur de plafond coaxial à deux voies et à gamme complète, doté d'un woofer (enceinte des graves) de 4 pouces et d'un tweeter (enceinte des aigus) de $\frac{3}{4}$ de pouce. Il peut être configuré pour un fonctionnement en basse impédance (8 Ω) ou être alimenté par une ligne de haut-parleurs distribuée en 70V ou 100V. (#UGS JBL-C414C/T)

Control 416C/T: le Control 416C/T est un haut-parleur de plafond coaxial à deux voies et à gamme complète, doté d'un woofer (enceinte des graves) de 6,5 pouces et d'un tweeter (enceinte des aigus) de $\frac{3}{4}$ de pouce. Il peut être configuré pour un fonctionnement en basse impédance (8 Ω) ou être alimenté par une ligne de haut-parleurs distribuée en 70V ou 100V. (#UGS JBL-C416C/T)

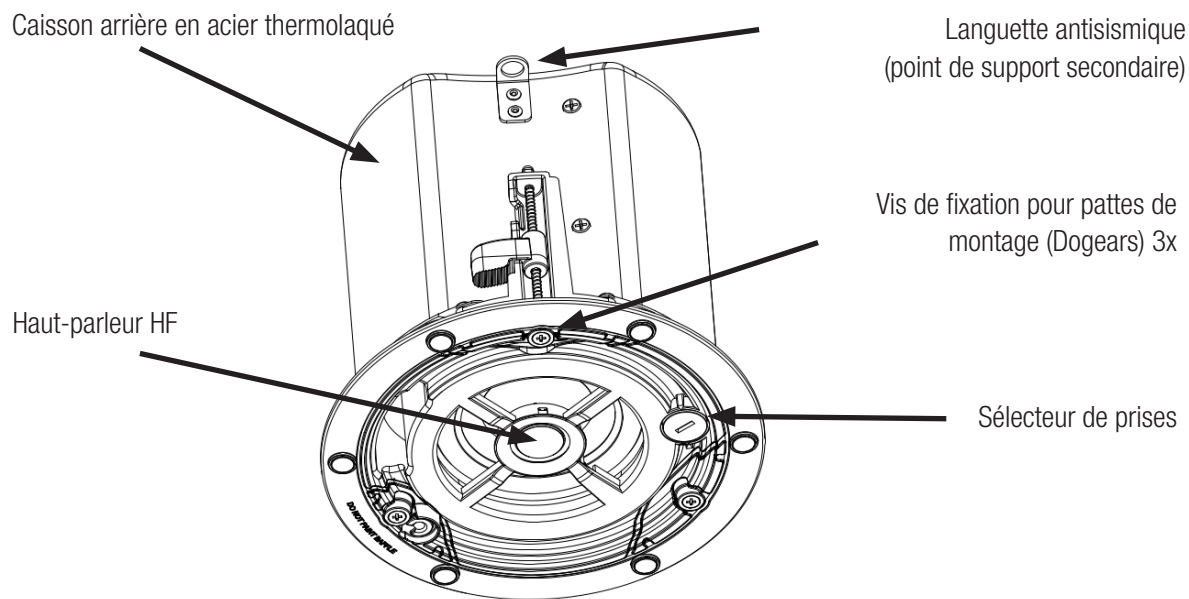
Control 418C/T: le Control 418C/T est un haut-parleur de plafond coaxial à deux voies et à gamme complète, doté d'un woofer (enceinte des graves) de 8 pouces et d'un tweeter (enceinte des aigus) de 1 pouce. Il peut être configuré pour un fonctionnement en basse impédance (8 Ω) ou être alimenté par une ligne de haut-parleurs distribuée en 70V ou 100V. (#UGS JBL-C418C/T)

Control 412 C-VA: le Control 412C/T-VA est un modèle de sécurité incendie du Control 412C/T qui, en plus d'être conforme à la norme UL1480A pour les haut-parleurs destinés à un usage commercial et professionnel (comme tous les haut-parleurs de cette série), est également conforme à la norme EN54-24 régissant les systèmes de détection et d'alarme incendie. (#UGS JBL-C412C/T-VA)

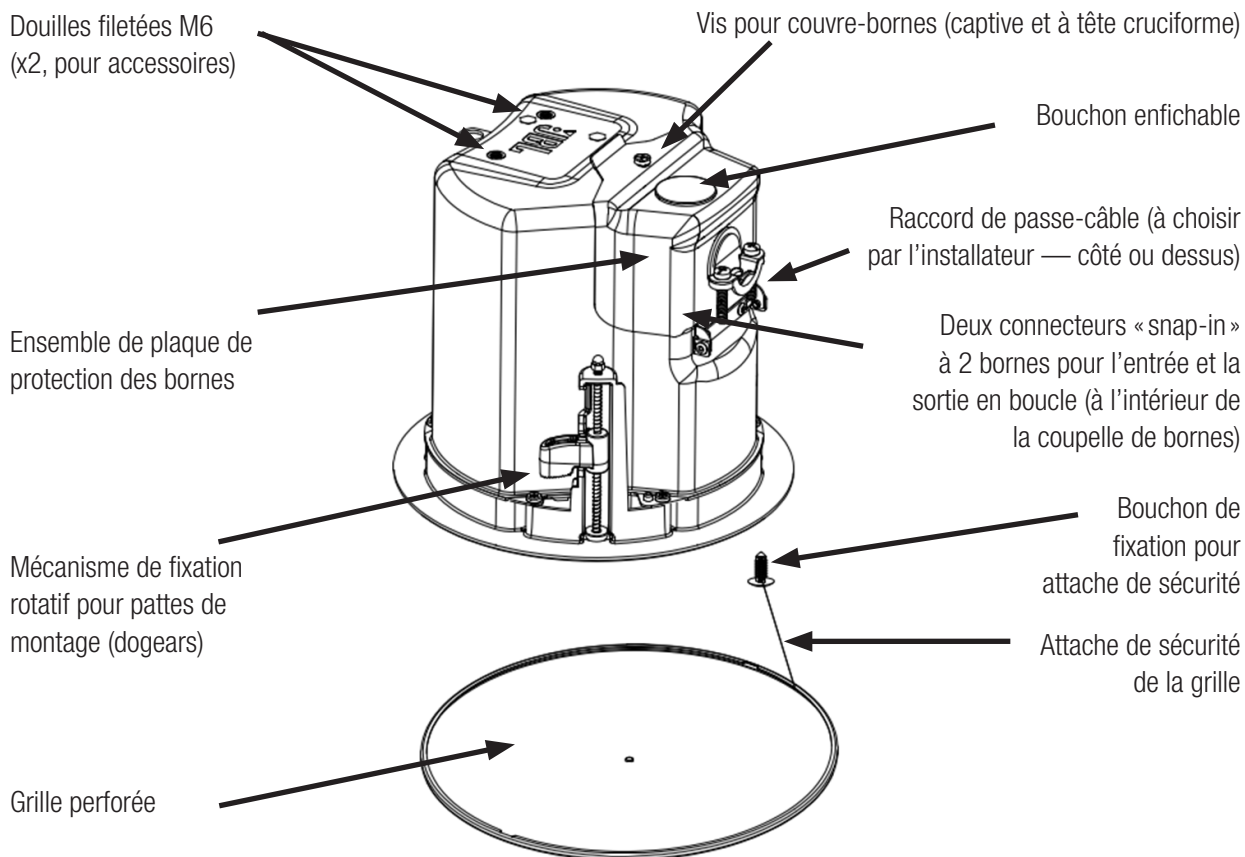
Control 414 C-VA: le Control 414C/T-VA est un modèle de sécurité incendie du Control 414C/T qui, en plus d'être conforme à la norme UL1480A pour les haut-parleurs destinés à un usage commercial et professionnel (comme tous les haut-parleurs de cette série), est également conforme à la norme EN54-24 régissant les systèmes de détection et d'alarme incendie.. (#UGS JBL-C414C/T-VA)

Control 416 C-VA: le Control 416C/T-VA est un modèle de sécurité incendie du Control 416C/T qui, en plus d'être conforme à la norme UL1480A pour les haut-parleurs destinés à un usage commercial et professionnel (comme tous les haut-parleurs de cette série), est également conforme à la norme EN54-24 régissant les systèmes de détection et d'alarme incendie. (#UGS JBL-C416C/T-VA)

3. VUE D'ENSEMBLE DES CARACTÉRISTIQUES DU PRODUIT



(Illustré avec la grille retirée)



4. PRÉPARATIONS NÉCESSAIRES À L'INSTALLATION

L'installation complète peut être effectuée, si nécessaire, sans avoir besoin d'un accès au-dessus du plafond. Des supports sont fournis pour les plafonds suspendus ou les plafonds en gypse (plaques de plâtre). Le haut-parleur est solidement fixé en place grâce aux pattes de montage « dogear » qui s'enclenchent et se verrouillent. Les entrées et sorties pour relier au haut-parleur suivant sont fixées à un connecteur à encliqueter « snap-in-place » (inclus), qui peut être précâblé avant l'installation du haut-parleur, permettant une installation ultrarapide par encliquetage.

SUPPORTS DE PRÉINSTALLATION EN OPTION

POUR LA MAJORITÉ DES INSTALLATIONS, AUCUN AUTRE SUPPORT SUPPLÉMENTAIRE QUE CEUX FOURNIS AVEC VOTRE HAUT-PARLEUR N'EST NÉCESSAIRE.

Votre haut-parleur de plafond Control Contractor est livré avec tout le nécessaire pour une installation standard.

Toutefois, une méthode spécifique d'installation dans les panneaux de gypse peut être facilitée par l'utilisation des supports de pré-installation optionnels de JBL **avant la pose du gypse (feuilles de Gyproc/Placoplâtre)**. Le support de pré-installation permet de fixer le câblage derrière le panneau de gypse. Il peut aussi servir de gabarit de découpe lorsqu'un grand nombre d'ouvertures doivent être effectuées en série. Enfin, il permet de prévoir un emplacement dans le plafond avant l'installation du gypse et de définir un emplacement dans le plafond avant la pose du gypse. Deux accessoires de supports de pré-installation de JBL Professional sont disponibles en option pour fixer votre haut-parleur.

1. Le support de fixation **NC NEW-CONSTRUCTION BRACKET** (« support de nouvelle construction ») est fabriqué en tôle plate et équipé d'ailettes pour le fixer à la structure du bâtiment. Des trous sont préperçés pour y installer des clous ou des vis à des entraxes de 16 pouces (406 mm) et 24 pouces (610 mm). L'installateur peut percer d'autres trous avec un espacement maximal de 24-3/4 pouces (630 mm). Les panneaux de gypse sont installés après la pose du support, qui sert alors de gabarit pour la découpe du trou dans le panneau gypse. Pour cette opération, la découpe est généralement réalisée avec un outil rotatif de coupe (ex. : Dremel avec accessoire de toupie), en utilisant l'anneau du support comme guide de découpe.

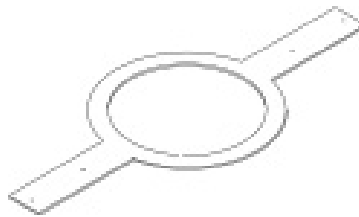


Figure 1:
Support de fixation optionnel

NC NEW-CONSTRUCTION BRACKET
(support de nouvelle construction)

2. Le support **MR PLASTER-RING BRACKET** (ou « Mud Ring » en anglais) comporte un décalage circulaire qui sert de guide pour les feuilles de gypse. Le support est équipé d'ailettes permettant de le fixer à la structure du bâtiment. Le gypse est généralement soit prédécoupé, soit découpé à l'aide d'un outil rotatif en suivant l'extérieur du cercle du support de plâtre comme guide. Le trou dans le placoplâtre est ensuite recouvert de plâtre (ou « muddé ») jusqu'au support pour créer une découpe souple et intégrée.

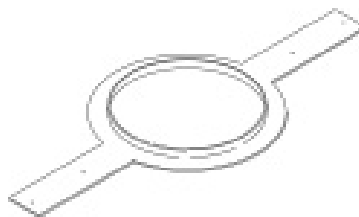


Figure 2:
Support optionnel **MR PLASTER-RING BRACKET**
(ou « Mud Ring »)

Tableau 1 : Supports de préinstallation

| Modèle | Nouveau support de construction | Support en forme annulaire |
|---|---------------------------------|----------------------------|
| Control 412C/T, Control 414C/T, Control 412C/T-VA, Control 414C/T-VA | JBL-MTC-424NC | JBL-MTC-424MR |
| Control 416C/T, Control 416C/T-VA | JBL-MTC-426NC | JBL-MTC-426MR |
| Control 418C/T | JBL-MTC-447NC | JBL-MTC-447MR |

UTILISATION DU SUPPORT ANNULAIRE EN FORME DE C, FOURNI POUR INSTALLATION DANS UN PANNEAU DE GYPSE

Pour la majorité des installations, la plaque de support annulaire en forme de C (C-ring) INCLUSE assure un renfort suffisant pour le matériau du plafond, répartissant la force de serrage des pattes de montage. Même si l'une des pattes de fixation tombe sur l'ouverture entre les extrémités du support annulaire en forme de C (C-ring), les autres pattes de fixation viendront s'y poser, assurant ainsi un soutien suffisant pour les installations de gypse.

DIMENSIONS DES DÉCOUPES AU PLAFOND

Les haut-parleurs sont livrés avec des gabarits en carton pour tracer le trou de découpe sur votre plafond.

Tableau 2 : Dimensions de découpe

| Modèle | Dimensions de découpe (diamètre) |
|----------------------------------|----------------------------------|
| Control 412C/T, Control 412 C-VA | 168 mm (6,6 po) |
| Control 414C/T, Control 414 C-VA | 168 mm (6,6 po) |
| Control 416C/T, Control 416 C-VA | 223 mm (8,8 po) |
| Control 418C/T | 282 mm (11,1 po) |

GRILLES OPTIONNELLES — BG (noir) et SG (forme carrée)

Des grilles rondes noires et carrées blanches sont disponibles en option. Les grilles **JBL-MTC-xxxBG** sont des grilles rondes noires, pouvant être pour remplacer la grille blanche fournie lorsque la couleur noire s'harmonise mieux avec le décor de la pièce. En alternative, la grille blanche incluse peut être peinte (voir ci-dessous). Les grilles **JBL-MTC-xxxSG** sont des grilles carrées blanches pouvant être utilisées à comme substitut à de la grille incluse si une grille carrée est nécessaire. Ces grilles peuvent être peintes dans la couleur de votre choix (y compris en noir). Elles couvrent entièrement l'assemblage du haut-parleur.

| Modèle | Grilles rondes et noires | Square Grilles |
|-----------------------------------|--------------------------|----------------|
| Control 412C/T, Control 412 C-VA | JBL-MTC-414BG | JBL-MTC-414SG |
| Control 414C/T, Control 414C/T-VA | JBL-MTC-414BG | JBL-MTC-414SG |
| Control 416C/T, Control 416C/T-VA | JBL-MTC-416BG | JBL-MTC-416SG |
| Control 418C/T | JBL-MTC-418BG | JBL-MTC-418SG |

5. INSTALLATION ET CÂBLAGE ÉTAPE PAR ÉTAPE

Le système d'installation a été conçu pour permettre une installation complète depuis le dessous du plafond, notamment lorsque l'accès au-dessus des tuiles n'est ni possible ni pratique. Dans certains cas, il peut être plus simple d'accéder à la fois par le dessus et par le dessous de la tuile plafonnière lors des différentes étapes de l'installation, par exemple avec des tuiles de plafond amovibles.

Remarque : la méthode de câblage doit respecter les normes suivantes :

1. Au Canada, CSA C22.1, Code canadien de l'électricité, Partie I, Norme de sécurité pour les installations électriques, Section 32 ;
2. Aux États-Unis, NFPA 70.

Étape 1 — découper l'ouverture. Découper le trou au plafond en suivant le gabarit de découpe en carton inclus avec ce produit, ou en traçant un trou en utilisant le tableau des dimensions de découpe ci-dessus. Utiliser un outil sécurisé tel qu'une scie sauteuse et des lunettes de protection. Veiller à être précis et ne pas dévier du diamètre de découpe de plus de 1/16 de pouce (1,5 mm). Faire passer le câblage à travers le trou découpé.

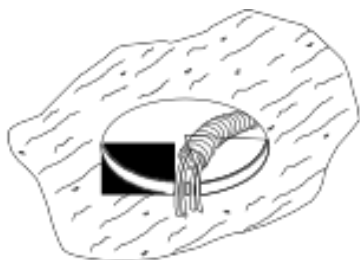


Figure 3 :
Découpe de trou (Illustration : câble dans un conduit souple)

Étape 2 — insérer le matériel de fixation à travers l'ouverture. Les haut-parleurs sont fournis avec deux types de matériel de fixation : une plaque de support annulaire en forme de C (C-ring) et deux rails de fixation de plafond.

Plafonds suspendus — faire passer le support annulaire en forme de C (C-ring) à travers l'ouverture découpée dans

la tuile/gypse de plafond (ou le poser depuis le dessus du plafond, si accessible). Placer le support annulaire en forme de C (C-ring) autour du trou avec les onglets positionnés tel qu'illustré à la figure 4. Insérer les rails de plafond à travers le trou découpé dans la tuile. Enclencher les deux rails dans les deux ailettes du support annulaire en forme de C (C-ring) et aligner les rails de manière à ce que les extrémités s'étendent AU-DESSUS de la grille profilée en forme de T (T-channel grid) du côté de la tuile. Fixer les rails sur les onglets du support annulaire en forme de C (C-ring), en vissant une vis à travers chaque onglet dans le rail. Cette opération peut être réalisée depuis le dessous de la tuile de plafond, si nécessaire.

POUR VOTRE SÉCURITÉ : IL EST IMPORTANT DE TOUJOURS UTILISER LES SUPPORTS

TOUS les supports fournis — le support annulaire en forme de C (C-ring) et les rails de plafond — DOIVENT être utilisés lors de l'installation dans des tuiles de plafond suspendu.

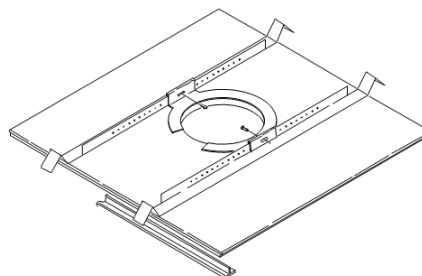


Figure 4 :
Support en forme de C (C-ring) et positionnement du rail de carrelage sur la tuile de plafond

Rails de plafond : les rails de plafond sont conçus pour s'adapter soit aux tuiles standard de 24 pouces de large, soit aux tuiles de 600 mm de large. Les pièces des rails ne s'attachent PAS physiquement aux entretoises de la T-grille. Plutôt, la forme inversée en « V » à l'extrémité des rails repose AU-DESSUS de l'entretoise du T-grille. En fonctionnement normal, les rails sont supportés par le bord de la tuile. Dans le cas improbable où la tuile se détacherait ou se désintégrerait, les extrémités des rails de support sont conçues pour se fixer à l'entretoise du T-grille, offrant un support sécurisé pour maintenir l'ensemble du haut-parleur en place.

Des rails de plafond optionnels JBL-MTC-48TRX4 (paquet de 4 rails de plafond) sont également proposés pour l'installation dans des tuiles de plafond plus larges de 4 pi x 4 pi (1200 mm x 1200 mm).

Minimisation des vibrations : Ces haut-parleurs peuvent produire un son puissant, ce qui peut entraîner des bruits de vibration des matériaux ou de la structure du plafond. En fonction du type de tuile et de structure, l'installateur pourrait avoir besoin de placer du néoprène ou un autre matériau d'amortissement sous les rails de la tuile ou sur les bords des tuiles pour éviter tout bruit de vibration.

Placement de la découpe : les rails de plafond sont préperçés avec des trous de fixation tout au long de leur longueur. Le placement n'est pas limité au centre de la tuile, contrairement à d'autres systèmes de support de rails de plafond.

Plafonds non suspendus : pour les plafonds non suspendus, il est possible d'utiliser uniquement le support annulaire en forme de C (C-ring) afin de renforcer le plafond et de répartir la force de serrage des pinces. Insérer le support annulaire en forme de C (C-ring) à travers le trou découpé et le positionner sur le dessus du trou avant d'insérer le haut-parleur.

Étape 3 — brancher les connecteurs dans les prises de la coupelle de borne du haut-parleur.

Desserrer complètement la vis de fixation du COUVRE-BORNES située sur le panneau supérieur du boîtier arrière. Cette vis reste fixée au couvercle des bornes (ne pas la retirer entièrement).

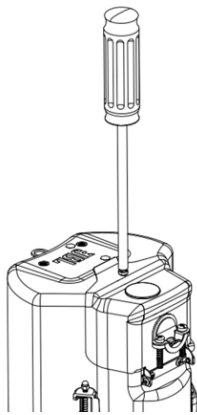


Figure 5 : Desserrer complètement la vis captive du COUVRE-BORNES

Tourner le COUVRE-BORNES — pour les haut-parleurs Control 412C/T, Control 412C/T-VA, Control 414C/T et le Control 414C/T-VA, la charnière du COUVRE-BORNES est située sur le panneau latéral du caisson arrière.

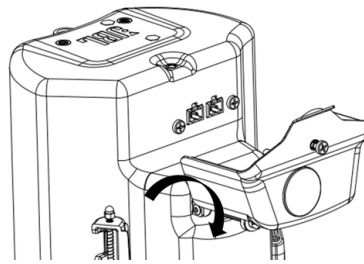


Figure 6A : Ouvrir le COUVRE-BORNES (Control 414C/T illustré)

La charnière du COUVRE-BORNES se trouve sur le panneau supérieur du caisson arrière pour les modèles Control 416C/T, Control 416C/T-VA et Control 418C/T.

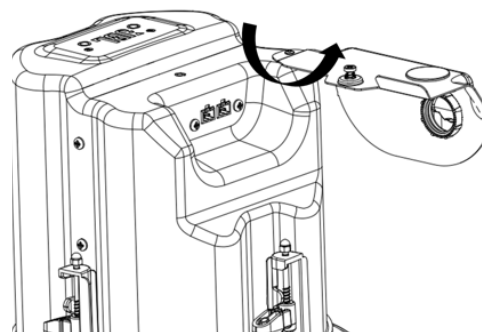


Figure 6C : Ouvrir le COUVRE-BORNES (Control 416C/T illustré)

Emplacement du PASSE-CÂBLE – pour minimiser la profondeur du haut-parleur, l'emplacement par défaut du PASSE-CÂBLE, soit la sortie du câble, est installé sur le côté latéral (à côté) du caisson arrière pour les modèles de Control 412 C/T, Control 414C/T, Control 416C/T et Control 418C/T.

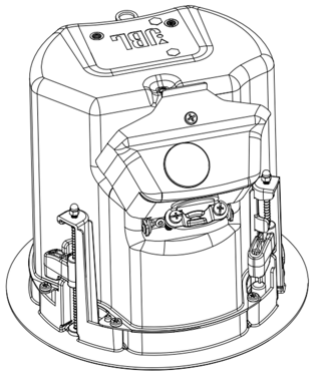


Figure 7 : Passe-câble sur le côté latéral par défaut

Toutefois, si l'installateur choisit de placer le PASSE-CÂBLE au côté supérieur (sur le haut) du panneau arrière plutôt que sur le côté latéral (sur le côté), il faut suivre les étapes suivantes :

EN OPTION : TRANSFÉRER LE PASSE-CÂBLE VERS LE CÔTÉ SUPÉRIEUR DU PANNEAU (pour les modèles Non-VA)

[Étapes optionnelles à suivre pour transférer le passe-câble vers le côté supérieur (sur le haut) du panneau]

Le COUVRE-BORNES comporte deux trous de même diamètre : l'un sur le côté supérieur (sur le haut) du panneau et l'autre sur le côté latéral (sur le côté). Le trou sur le panneau supérieur est muni d'un BOUCHON ENFICHABLE, tandis que celui sur le panneau latéral est muni d'un PASSE-CÂBLE. Ces éléments sont installés en usine. Pour les interchanger, ouvrir le COUVRE-BORNES et retirer le BOUCHON ENFICHABLE en pressant dessus pour l'enfoncer. Ne pas jeter ce bouchon : il pourra servir plus tard.

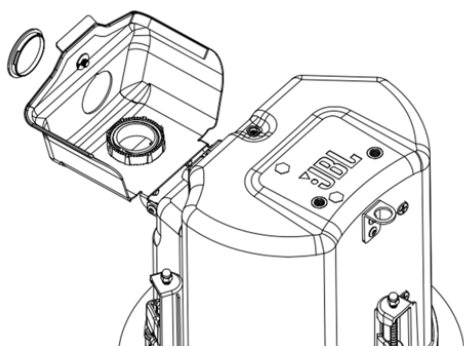


Figure 8 : Appuyer sur le BOUCHON ENFICHABLE pour l'extraire

[Étapes optionnelles à suivre pour transférer le passe-câble vers le côté supérieur (sur le haut) du panneau]

Depuis l'intérieur du COUVRE-BORNES, desserrer l'écrou qui fixe le PASSE-CÂBLE.

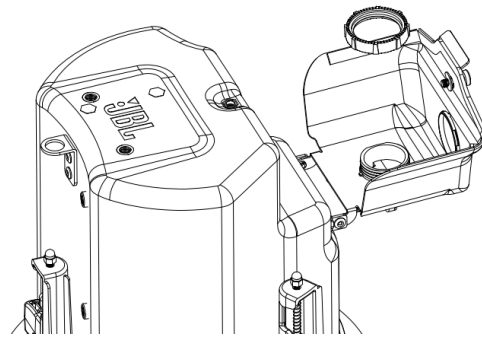


Figure 9 : Desserrer l'écrou

[Étapes optionnelles à suivre pour transférer le passe-câble vers le côté supérieur (sur le haut) du panneau]

Insérer le PASSE-CÂBLE dans le trou supérieur du COUVRE-BORNES. Resserrer l'écrou qui maintient l'ensemble du PASSE-CÂBLE.

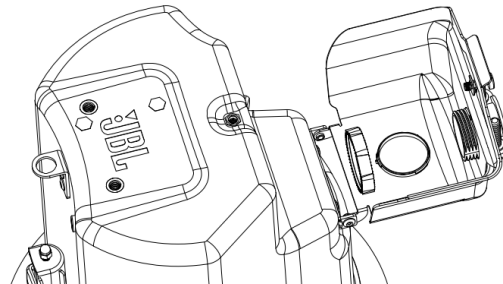


Figure 10 : Déplacer le serre-câble vers le haut du panneau du couvre-bornes et le verrouiller

[Étapes optionnelles à suivre pour transférer le passe-câble vers le côté supérieur (sur le haut) du panneau]

Insérer le BOUCHON ENFICHABLE dans le trou latéral du COUVRE-BORNES.

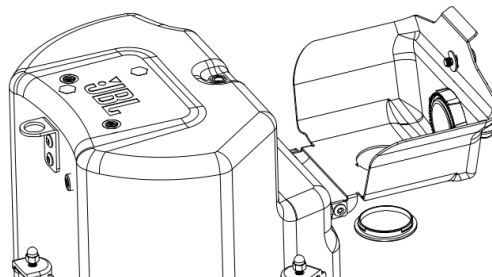


Figure 11 : Insérer le BOUCHON ENFICHABLE

Pour les modèles Control 412C/T-VA, Control 414C/T-VA et Control 416C/T-VA, deux trous sont situés sur le panneau supérieur du couvre-bornes. L'un d'eux est bouché par un BOUCHON ENFICHABLE.

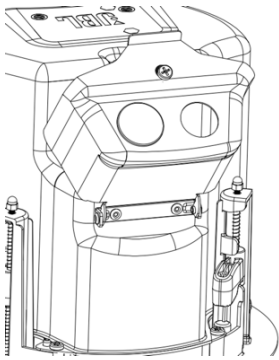


Figure 11A : Deux trous sur le dessus par défaut

Installer l'écrou de presse dans le trou ouvert et prévu à cet effet. S'assurer que l'écrou de presse est solidement fixé et bien serré. Un deuxième écrou de presse (non fourni) peut également être installé dans l'autre trou (après avoir retiré le BOUCHON ENFICHABLE) si deux écrous de presse sont nécessaires.

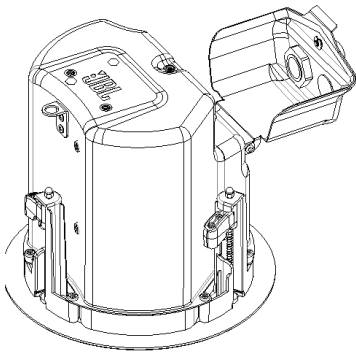


Figure 11B : Installer l'écrou de presse dans le trou ouvert

Étape 4.1 — Brancher le câblage aux connecteurs amovibles verrouillables (pour les modèles Control 412C/T, Control 414C/T, Control 416C/T et Control 418C/T). Le haut-parleur est fourni avec deux connecteurs à deux broches, amovibles et verrouillables - un pour l'entrée IN et l'autre pour la sortie de boucle (LOOP OUT). Pour connecter le câblage, dénuder l'isolation sur environ 5 mm (environ 3/16 de pouce). Si le fil est trop longuement dénudé, il risque de provoquer un court-circuit alors que le dénuder plus court risque d'entraîner une mauvaise connexion avec la borne.

Insérer l'extrémité dénudée dans le connecteur et serrer la vis de maintien avec un petit tournevis plat jusqu'à ce qu'elle soit bien fixée. Serrer toutes les vis inutilisées pour éviter toute vibration. Veiller à ce que les fils ne sont pas effilochés et que l'extrémité dénudée n'est pas exposée, ce qui pourrait provoquer un court-circuit.

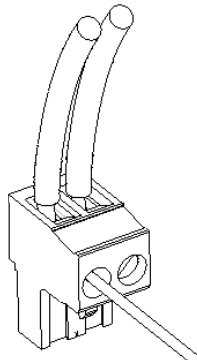


Figure 12 : Branchement des fils au connecteur amovible verrouillable (illustré avec des fils dénudés individuels, comprenant 2 fils d'entrée)

Vue d'ensemble des broches de connexion — les 2 connecteurs d'entrée verrouillables amovibles disposent chacun de 2 (deux) bornes. Les fonctions des broches sont précisées sur l'étiquette du couvercle de la borne.

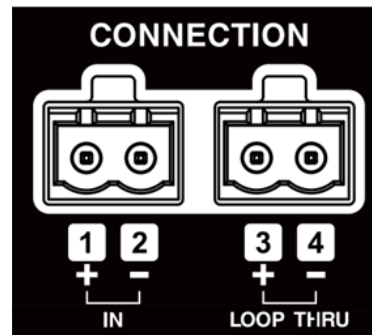


Figure 13 : Broches du connecteur (modèle Control 418C/T illustré)

Les broches 1 et 2 (sur l'un des connecteurs à 2 broches) correspondent aux entrées « + » et « - » du haut-parleur (soit positive et négative). Les broches 3 et 4 (mise en boucle/loop thru) sont respectivement reliées aux broches 1 et 2 à l'intérieur du haut-parleur (la broche 1 est connectée à la broche 3 et la broche 2 à la broche 4). Les broches 3 et 4 permettent la mise en boucle des haut-parleurs suivants.

Pour raccorder d'autres haut-parleurs supplémentaires, connecter la paire de fils du haut-parleur suivant aux broches 3 et 4 (LOOP THRU).

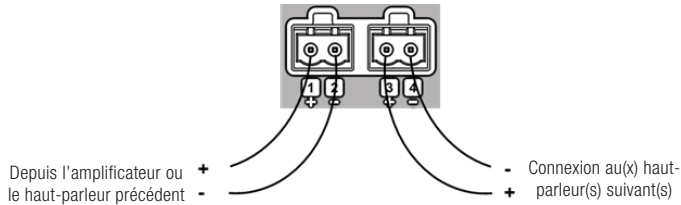


Figure 13 : Broches de connexion

Faire passer le(s) connecteur(s) 2 broches déjà câblé(s) à travers le PASSE-CÂBLES

Brancher le fil du haut-parleur sur le(s) connecteur(s) à 2 broches.

- Brancher le fil du haut-parleur sur les connecteurs en respectant la polarité +/— et en vérifiant qu'il n'y a pas de fils effilochés ou de conducteurs trop exposés pouvant entraîner un court-circuit.

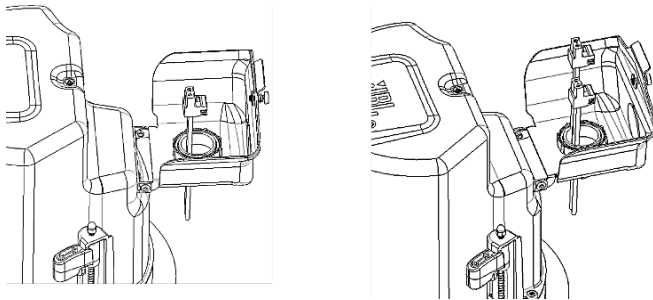


Figure 14 : Passer les connecteurs à travers le trou du serre-câble

- Si un indice de protection IP33 est requis, utiliser les manchons en caoutchouc et suivre ces instructions :

[Étapes supplémentaires pour connecter le câblage aux connecteurs verrouillables amovibles]

Faire passer le fil à travers le serre-câble, de l'extérieur vers l'intérieur.

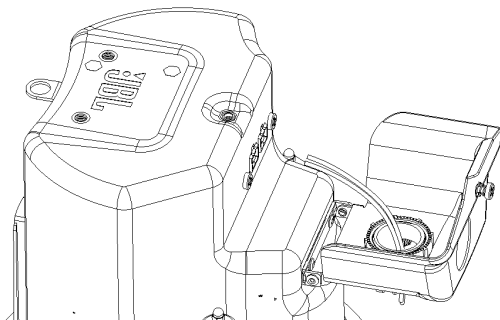


Figure 15 : Faire passer le câble à travers le serre-câble

[Étapes supplémentaires pour connecter le câblage aux connecteurs verrouillables amovibles]

Faire passer le fil à travers le manchon en caoutchouc par la petite ouverture carrée et le faire sortir par l'autre ouverture.

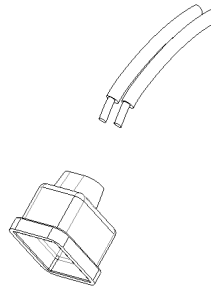


Figure 16 : Faire passer le fil à travers le manchon en caoutchouc

[Étapes supplémentaires pour connecter le câblage aux connecteurs verrouillables amovibles]

Brancher le fil au connecteur.

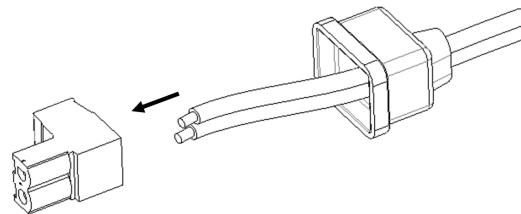


Figure 17 : Brancher le fil au connecteur

[Étapes supplémentaires pour connecter le câblage aux connecteurs verrouillables amovibles]

Serrer et verrouiller le connecteur à l'aide d'un tournevis.

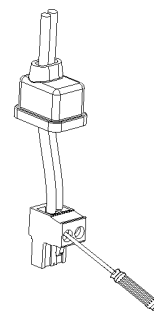


Figure 18 : serrer et verrouiller le connecteur à l'aide d'un tournevis

[Étapes supplémentaires pour connecter le câblage aux connecteurs verrouillables amovibles]

Faire glisser le manchon en caoutchouc près de la fiche.

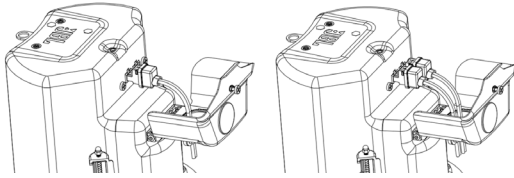


Figure 19 : Faire glisser le manchon en caoutchouc près de la fiche.

[Étapes supplémentaires pour connecter le câblage aux connecteurs verrouillables amovibles]

Appliquer de la colle en silicone sur l'ouverture du manchon en caoutchouc pour sceller le joint (tel qu'indiqué sur l'image).

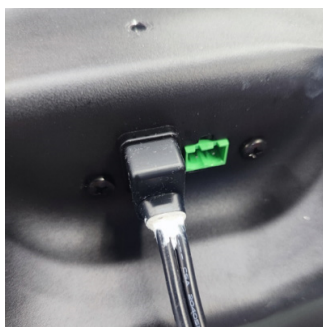
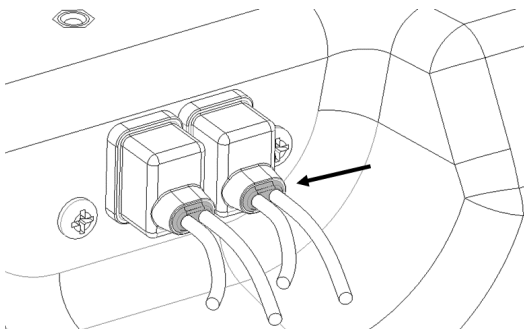


Figure 19A : Ajouter de la colle silicone

Étape 4.2 — brancher le câblage aux connecteurs

verrouillables amovibles (pour les modèles Control 412C/T-VA, Control 414C/T-VA et Control 416C/T-VA) — un bornier en céramique est attaché au haut-parleur. Dénuder l'isolation sur environ 5 mm (environ 3/16 pouce). Ne pas dénuder les fils plus longtemps que cela. Insérez l'extrémité dénudée du fil dans le connecteur (sans laisser de fil nu à l'extérieur du connecteur). Utilisez uniquement le côté du bornier où il n'y a pas déjà de fils connectés.

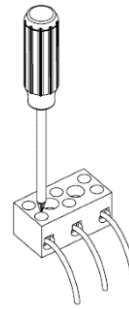


Figure 19A : Connexion des fils au bornier en céramique (Remarque : le fil à droite dans ce diagramme est optionnel. Ce raccordement ne doit être effectué que si une mise à la terre du châssis du moteur est exigée).

Si un deuxième câble est utilisé pour la mise en boucle vers un autre haut-parleur, ajouter un second jeu de câbles en parallèle sur les mêmes bornes. Serrer la vis de maintien jusqu'à ce qu'elle soit bien serrée avec un petit tournevis à tête Philips. Serrer toutes les vis inutilisées pour éviter les vibrations.

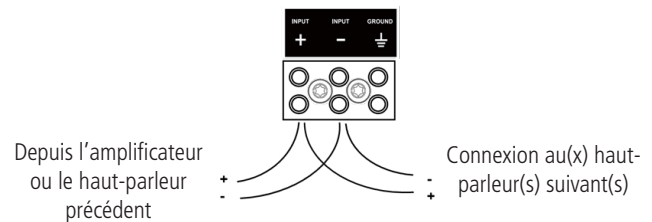


Figure 19B : Relier les deux jeux de câbles au bloc de bornes céramiques pour la sortie de mise en boucle (LOOP-OUT) vers un haut-parleur suivant.

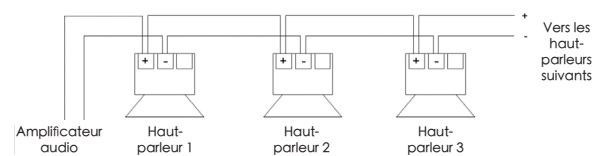


Figure 19C : Effectuer des connexions parallèles à plusieurs haut-parleurs pour des systèmes de haut-parleurs distribués en 70V ou 100V

Guide des broches pour la connexion – Le bloc de bornes céramiques contient 3 bornes, marquées sur le connecteur comme + ENTRÉE (+ INPUT) — ENTRÉE (— INPUT) et MISE À LA TERRE (GROUND).

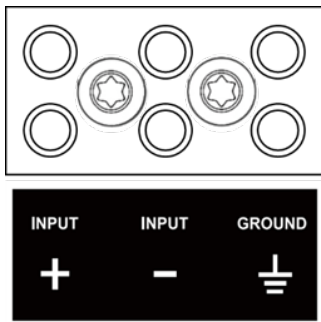


Figure 19 D: Barette à bornes

Étape 5 — brancher les connecteurs à 2 broches qui sont déjà câblés dans la (les) PRISE(S) 2 broches –

Veiller à la bonne correspondance des polarités (+ et –) et à l'orientation correcte des connecteurs, conformément à l'étiquette.

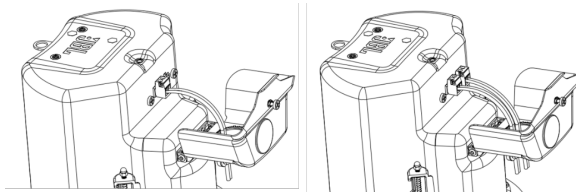


Figure 20 : Insérer les connecteurs dans les prises si aucun manchon en caoutchouc (rubber boot) n'est utilisé.

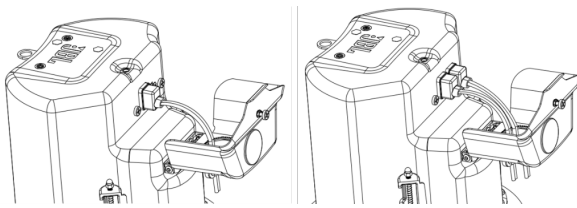


Figure 21 : Insérer les connecteurs dans les prises et ajuster le manchon en caoutchouc (rubber boot) pour couvrir les connecteurs l'installation inclut des manchons en caoutchouc.

Étape 6 — fermer et sécuriser le COUVRE-BORNES

— fermer le couvre-bornes et le sécuriser à l'aide de la vis captive située à l'intérieur du trou à creux du COUVRE-BORNES.

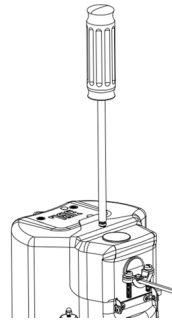


Figure 22 : Fermer le COUVRE-BORNES et serrer la vis

Étape 7 — serrer le mécanisme du PASSE-CÂBLE à

l'aide des 2 vis fournies.

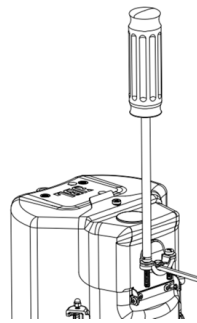


Figure 23 : Serrage du mécanisme du PASSE-CÂBLE (illustré avec le PASSE-CÂBLE en haut et des fils dénudés)

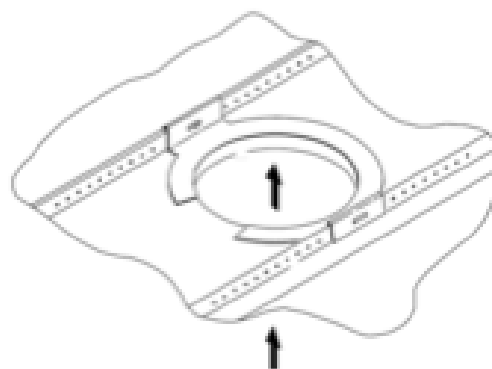
IMPORTANT:



Il convient de respecter en permanence les codes et réglementations des bâtiments en vigueur en fonction de la région et du type de construction.

Étape 8 — insérer le haut-parleur au plafond et le fixer.

Insérer le haut-parleur dans la découpe du plafond jusqu'à ce qu'il s'encastre complètement, de façon à assurer un contact entre l'arrière, le bord du déflecteur avant et le plafond.



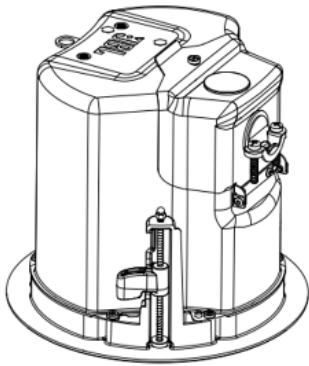


Figure 24 : Insérer le haut-parleur à travers la découpe du plafond

Serrer les pattes de montage (dogears) : IMPORTANT

— pour chaque patte de montage (dogear), commencer en effectuant un demi-tour dans le sens antihoraire afin de libérer la vis de fixation de la patte de montage.

Ensuite, serrer les vis de fixation en les tournant dans le sens horaire jusqu'à ce qu'elles soient bien fixées sur la surface supérieure du plafond. Ajuster le couple de serrage en fonction des caractéristiques du matériau du plafond. **NE JAMAIS SERRER TROP FORT.**

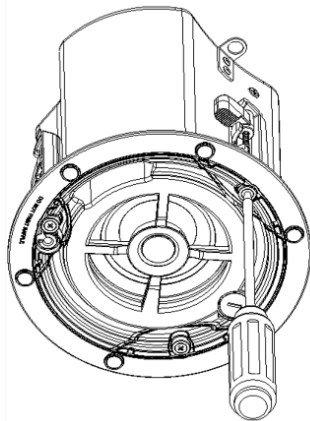
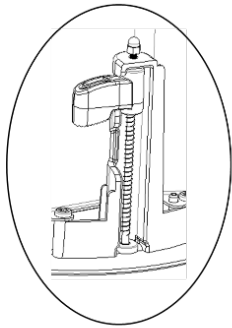


Figure 25 : Serrer les vis de fixation pour les pattes de montage (dogears)

Nombre de pattes de montage (dogears), par modèle

| Modèle | Nombre de pattes de montage (dogears) |
|--|---------------------------------------|
| Control 412C/T, Control 412C/T-VA, Control 414C/T, Control 414C/T-VA | 3 pattes de montage |
| Control 416C/T, Control 416 C-VA, Control 418C/T | 4 pattes de montage |

Pour une utilisation sur des plafonds épais – Par défaut, la languette de la patte de montage (dogear) est positionnée au centre de la course et peut être utilisée pour la plupart des profondeurs de plafond. Toutefois, pour les plafonds épais, où les languettes doivent être réglées sur la position la plus haute, tournez toutes les vis **DANS LE SENS INVERSE DES AIGUILLES D'UNE MONTRE** jusqu'à la butée (en vous assurant que la languette ne reste pas bloquée au milieu), avant d'insérer le haut-parleur dans la découpe du plafond.

Pour retirer le haut-parleur, tournez toutes les pattes de montage (dogears) dans le sens antihoraire, jusqu'à leur butée. Les pattes se rétracteront alors en se déboîtant, permettant le retrait du haut-parleur du plafond.

Lors du desserrage des vis des pattes de montage (dogears), veiller à bien maintenir le haut-parleur pour éviter qu'il ne tombe.

Étape 9 — Raccorder une ligne de support secondaire à la languette ANTISISMIQUE — Chaque haut-parleur est muni d'une languette sur le côté à laquelle on peut raccorder un point d'appui secondaire indépendant. Certaines normes de construction exigent l'utilisation de ce point d'appui secondaire, pour lequel il faut connecter une ligne de fixation à un point de support sécurisé et distinct sur la structure du bâtiment. Veuillez consulter les normes de construction en vigueur dans votre région.

IMPORTANT:



Les haut-parleurs de plafond Control Contractor peuvent générer des vibrations importantes. Il est recommandé d'utiliser un câble de support secondaire relié à la languette sismique comme point d'appui secondaire en cas de rupture de la tuile de plafond/gypse ou de la structure de support.

Étape 10 — Réglage du sélecteur de prises – le sélecteur de prises se trouve sur l'écran avant. Régler ce sélecteur avant de placer la grille et avant d'appliquer le signal à l'enceinte. Dans certaines configurations, il est recommandé de laisser les grilles en position OFF afin de permettre un réglage final des prises du système.

« NC » = Pas de connexion. (Ne pas utiliser ce réglage avec un système distribué à 100 V.)

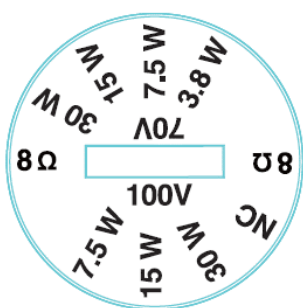


Figure 26 : Sélecteur de prises (Control 416C/T illustré)

Étape 11 — insérer le cordon de retenue de l'attache de sécurité et fixer la grille : La grille est équipée d'une attache de sécurité. Insérer le cordon de retenue, qui est fixé à la grille, dans l'emplacement prévu sur le déflecteur. S'assurer que le cordon soit bien inséré et que la prise est mise en place et enfichée, afin que la grille se fixe correctement.

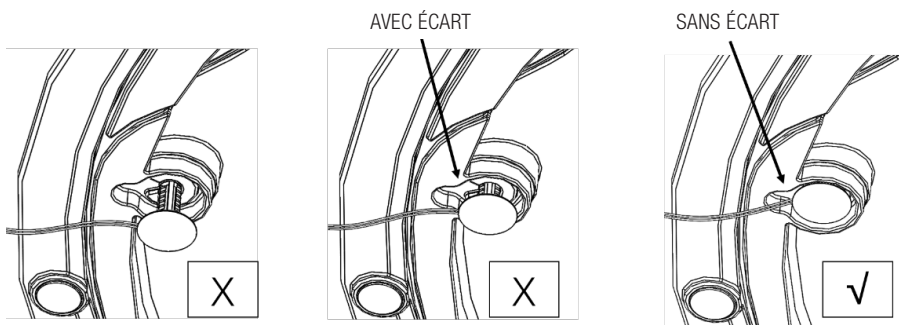


Figure 27 : Vérifier que le bouchon de fixation soit bien enfoncé.

Ensuite, positionner la grille devant le haut-parleur en veillant à ne pas laisser l'attache de sécurité passer directement devant un des haut-parleurs (sinon il pourrait produire des vibrations et ainsi un bruit). Vérifier que la grille est bien fixée par magnétisme, de manière à ce qu'elle ne se desserre pas ou ne tombe pas à en raison des vibrations.

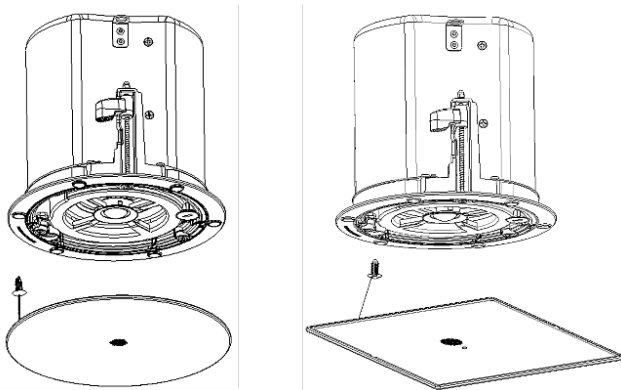


Figure 28 : Attacher la grille

6. PEINDRE LA GRILLE DU HAUT-PARLEUR

IMPORTANT:



Pour les modèles Control 412C/T-VA, Control 414C/T-VA et Control 416C/T-VA (modèles de sécurité des personnes) — pour conserver le classement d'inflammabilité, **il est interdit de peindre la grille** ou de modifier la finition appliquée en usine.

Les grilles blanches des autres modèles de la série à couverture standard Control Contractor s'harmonisent avec la plupart des décors et ne nécessitent aucune finition supplémentaire. Toutefois, si le design intérieur le demande, ces grilles peuvent être facilement peintes. La grille recouvre entièrement le haut-parleur, ce qui permet de la peindre avant l'installation de ce dernier.

IMPORTANT:



NE PAS peindre le déflecteur du haut-parleur. La présence de peinture entre l'aimant et la grille risquerait de réduire la capacité des aimants à maintenir la grille.

- La procédure suivante est recommandée pour obtenir de meilleurs résultats :
- Retirer délicatement le matériau de support de la grille sans le déchirer et le mettre de côté pour le remettre après la peinture. Masquer ou retirer le logo de la grille (pour le réappliquer après). Ne pas retirer la moulure de bordure.
- Nettoyer la grille et la bordure avec un chiffon légèrement humide et un solvant doux comme de l'essence minérale. Éviter d'utiliser des abrasifs tels que du papier de verre ou de la laine d'acier, car ils peuvent endommager le placage antirouille de la grille. Ne pas utiliser d'essence, de kérosène, d'acétone, de méthyléthylcétone, de diluant à peinture, de détergents agressifs ou d'autres produits chimiques, car ils risquent d'endommager la grille de façon permanente. Ne pas poncer la grille.
- Appliquer une ou plusieurs couches légères de peinture par spray, en pulvérisant tout en veillant à ne pas obstruer les perforations (qui permettent au son de passer). Cela pourrait avoir un effet négatif la qualité sonore du haut-parleur.
- Une fois que la peinture est complètement sèche, réinstaller le matériau de support de la grille à l'arrière de la grille. Si le matériau de support a rétréci depuis son retrait, l'étirer pour qu'il s'adapte correctement. Si le matériau de support a pris de l'extension depuis son retrait, le couper à la bonne taille.
- Si l'adhésif en spray (vaporisateur) restant à l'arrière de la grille n'est pas suffisant pour maintenir le matériau de support en place (ou si elle a été recouverte par la peinture), appliquer une légère couche d'adhésif pulvérisé à l'arrière de la grille.
- Appliquer l'adhésif uniquement à l'arrière de la grille, pas sur l'avant du matériau de support. Si la colle exige une application des deux côtés, optez pour une autre colle. Vaporiser sur l'avant peut exposer l'adhésif aux perforations et attirer la poussière, compromettant ainsi l'aspect du haut-parleur.

- NE PAS poser l'avant de la grille sur une surface où de l'adhésif en spray (vaporisateur) supplémentaire a pu être vaporisé. Cela pourrait déposer de l'adhésif en spray sur l'avant de la grille et attirer la poussière et la saleté.
- Si le logo JBL a été retiré (plutôt que simplement masqué), le réinstaller au centre de la grille. Une légère empreinte au centre de la grille indique l'emplacement du logo.

Recouvrir et protéger le(s) haut-parleur(s) si le plafond doit être peint — le haut-parleur ne doit pas être peint. Il est entièrement recouvert par la grille et ses déflecteurs avant sont noirs pour se fondre visuellement derrière la grille et le matériau de support. Si le plafond est peint après l'installation du haut-parleur, il est important de bien masquer le haut-parleur (y compris les bords du déflecteur) avant de peindre, afin d'éviter que de la peinture ne se dépose sur le haut-parleur ou le déflecteur, ce qui pourrait créer des incohérences de couleur visibles à travers la grille.

7. ENTRETIEN

Toute installation réalisée selon les consignes d'installation et de câblage de ce guide ne nécessite aucun entretien.

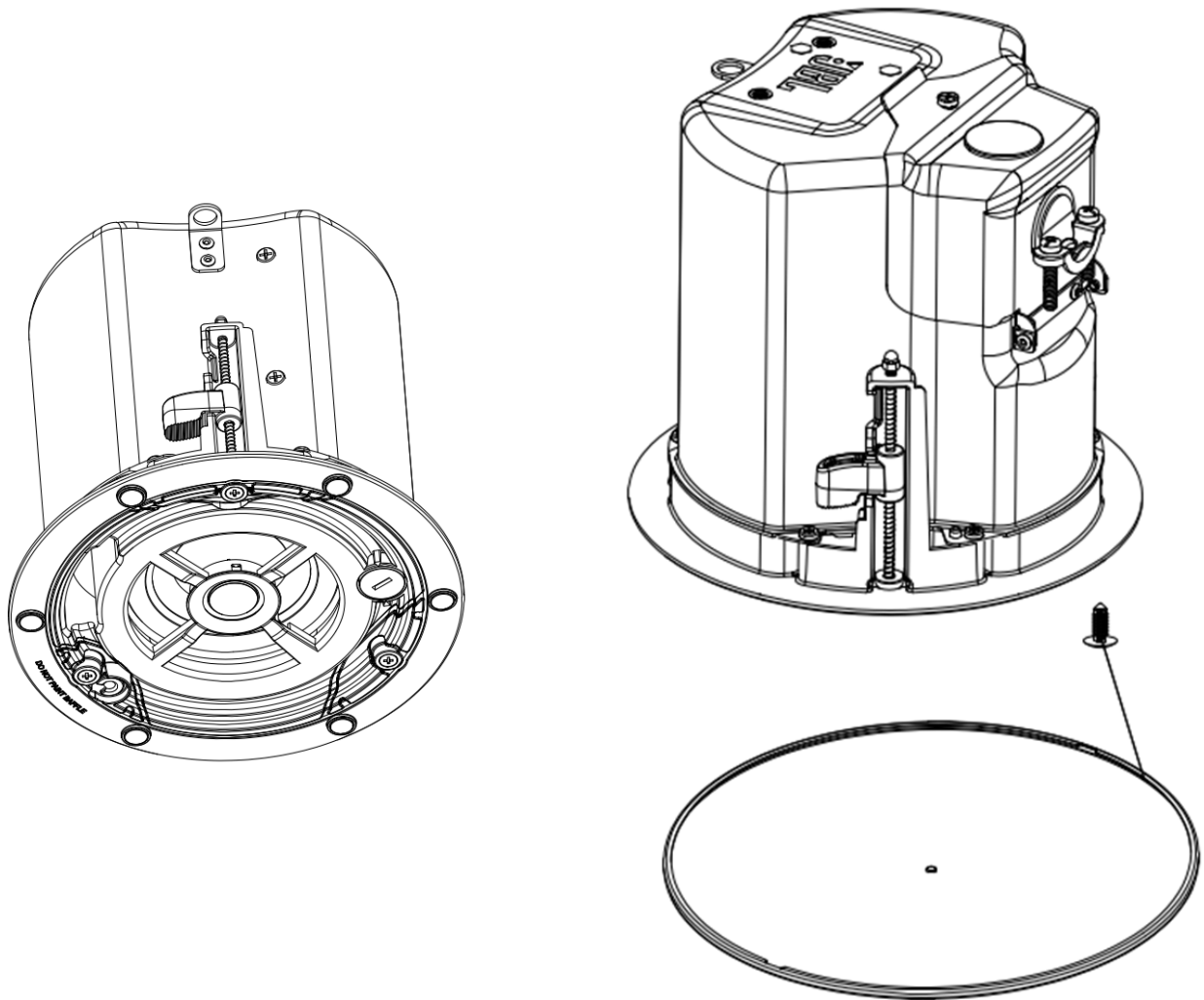
8. PIÈCES DE RECHANGE



Ces haut-parleurs ne comportent aucune pièce pouvant être remplacée par l'utilisateur. Pour toute réparation, veuillez contacter un centre de service JBL agréé. Pour obtenir le nom d'un centre de service autorisé dans votre région, contactez JBL Professional à l'adresse appropriée figurant à la [page 21](#).

Enceintes de plafond JBL Control 400 Standard Coverage

Control 412C/T, Control 414C/T, Control 416C/T, Control 418C/T,
Control 412C/T-VA, Control 414C/T-VA, Control 416C/T-VA



1. CONSIGNES DE SÉCURITÉ IMPORTANTES

SOYEZ ATTENTIF AUX SYMBOLES SUIVANTS :



Lisez le manuel avant l'utilisation.



Le symbole en forme d'éclair à pointe de flèche dans un triangle équilatéral avertit l'utilisateur de la présence d'une « tension dangereuse » non isolée à l'intérieur du produit qui peut être suffisante pour constituer un risque d'électrocution des personnes.



Le point d'exclamation à l'intérieur d'un triangle équilatéral avertit l'utilisateur de la présence d'instructions d'utilisation et de maintenance (réparation) importantes dans la documentation fournie avec le produit.



Niveau de pression sonore élevé. Risque de lésions auditives.

AVERTISSEMENT : Installation uniquement par du personnel compétent utilisant du matériel de montage et des protections approuvés par Harman..

1. **LISEZ, CONSERVEZ et RESPECTEZ** toutes les instructions. **TENEZ COMPTE** de tous les avertissements.
2. Installez et utilisez le produit comme indiqué pour éviter tout risque de sécurité.
3. Ce produit n'est pas destiné à être utilisé dans des environnements humides ou exposés à un rayonnement solaire (UV) prolongé ou intense. Si l'exposition à de telles conditions est prévue, couvrez correctement le produit ou mettez-le dans un autre environnement.
4. Nettoyez uniquement avec un chiffon sec.
5. Vérifiez que tous les équipements sont **ÉTEINTS** avant de faire ou défaire des branchements.
6. Fixez la grille du haut-parleur à sa place avant de relier l'appareil au secteur ou de le mettre en marche.
7. Faites réaliser toute réparation par un technicien qualifié. Une réparation est nécessaire lorsque l'appareil est endommagé de quelque façon : du liquide ou un objet s'est introduit à l'intérieur, l'appareil a été exposé à la pluie ou à l'humidité, il ne fonctionne pas normalement ou il a subi une chute.
8. **PAS** d'installation près d'une source de chaleur ou d'une flamme.
9. Utilisez uniquement les fixations et accessoires indiqués par le fabricant.
10. L'indice de protection contre les infiltrations dépend des équipements supplémentaires. Lisez attentivement ces instructions d'installation avant d'utiliser le produit.



NOTICE DEEE :

Ne jetez pas ce produit avec les ordures ménagères. Pour vous débarrasser de vos équipements électroniques ou électriques, vous devez les déposer au point de collecte spécifié pour le recyclage de ces déchets dangereux. En collectant et en récupérant vos équipements électroniques et électriques défectueux, nous pourrions contribuer à la conservation des ressources naturelles.

De plus, le recyclage approprié des déchets électroniques et électriques préservera la santé humaine et l'environnement. Pour en savoir plus sur le traitement, la récupération et les points de collecte d'équipements électroniques et électriques défectueux, veuillez contacter votre mairie, le service de traitement des ordures ménagères, le magasin où vous avez acheté l'appareil ou son fabricant.

HARMAN Professional, Inc.
8500 Balboa Blvd. Northridge, CA 91325, USA

EU: HARMAN Professional Denmark ApS
Denmark ApS, Olof Palmes Allé 44, 8200 Aarhus N, Denmark

UK: HARMAN Professional Solutions
2 Westside, London Road, Hemel Hempstead, HP3 9TD, UK

2. DESCRIPTION DES PRODUITS

Merci d'avoir choisi les enceintes de plafond JBL Control 400 Standard Coverage.

Avant d'utiliser les produits, lisez tout ce manuel pour vous familiariser avec leurs caractéristiques, leurs utilisations et les mesures de précaution.

Les enceintes de plafond JBL Control 400 Standard Coverage bénéficient d'une conception et de matériaux innovants pour offrir des performances haut de gamme grâce à des enceintes compactes encastrables au plafond.

Le **Control 412C/T** est une enceinte large bande compacte pour plafond équipée d'un moteur 3" large bande. On peut l'utiliser en basse impédance (8Ω) ou l'alimenter avec une ligne de distribution en 70V ou 100V. (N° UGS : JBL-C412C/T)

Le **Control 414C/T** est une enceinte large bande deux voies avec un woofer 4" et un tweeter ¾" coaxiaux. On peut l'utiliser en basse impédance (8Ω) ou l'alimenter avec une ligne de distribution en 70V ou 100V. (N° UGS : JBL-C414C/T)

Le **Control 416C/T** est une enceinte large bande deux voies avec un woofer 6,5" et un tweeter ¾" coaxiaux. On peut l'utiliser en basse impédance (8Ω) ou l'alimenter avec une ligne de distribution en 70V ou 100V. (N° UGS : JBL-C416C/T)

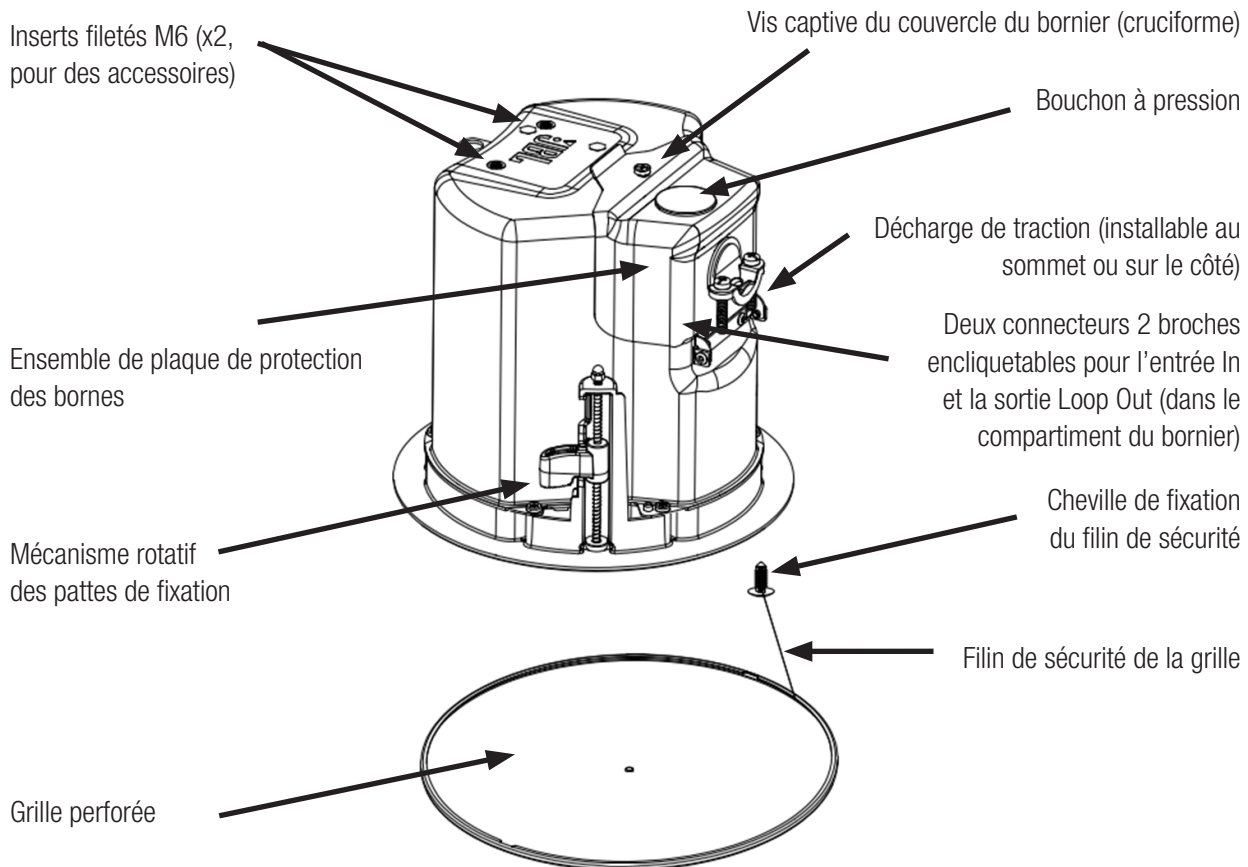
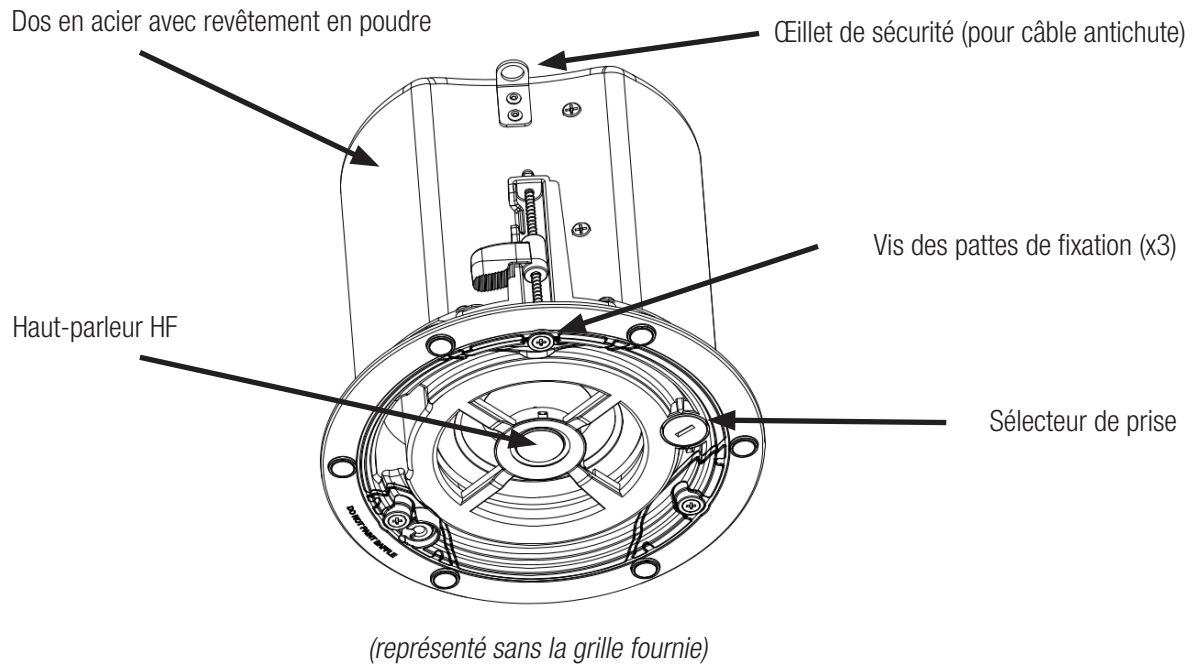
Le **Control 418C/T** est une enceinte large bande deux voies avec un woofer 8" et un tweeter 1" coaxiaux. On peut l'utiliser en basse impédance (8Ω) ou l'alimenter avec une ligne de distribution en 70V ou 100V. (N° UGS : JBL-C418C/T)

Le **Control 412C/T-VA** est la version de sécurité du Control 412C/T. Outre la certification UL1480A relative aux enceintes à usage commercial et professionnel dont disposent tous les produits de cette série, elle est conforme à la norme **EN54-24 relative aux systèmes de détection et d'alarme incendie**. (N° UGS : JBL-C412C/T-VA)

Le **Control 414C/T-VA** est la version de sécurité du Control 414C/T. Outre la certification UL1480A relative aux enceintes à usage commercial et professionnel dont disposent tous les produits de cette série, elle est conforme à la norme **EN54-24 relative aux systèmes de détection et d'alarme incendie**. (N° UGS : JBL-C414C/T-VA)

Le **Control 416C/T-VA** est la version de sécurité du Control 416C/T. Outre la certification UL1480A relative aux enceintes à usage commercial et professionnel dont disposent tous les produits de cette série, elle est conforme à la norme **EN54-24 relative aux systèmes de détection et d'alarme incendie**. (N° UGS : JBL-C416C/T-VA)

3. VISUALISATION DES CARACTÉRISTIQUES DES PRODUITS



4. PRÉPARATION À L'INSTALLATION

Si nécessaire, on peut effectuer toute l'installation en n'ayant pas accès à l'espace au-dessus du plafond. Les fixations pour le montage dans un plafond suspendu ou en plaques de plâtre sont fournies. L'enceinte est arrimée par des pattes qui la maintiennent en place fermement. Les entrées et les sorties vers l'enceinte suivante s'effectuent sur un connecteur encliqueté (fourni) que l'on peut précâbler avant d'installer l'enceinte pour une mise en place extrêmement rapide.

FIXATIONS OPTIONNELLES DE PRÉINSTALLATION

DANS LA PLUPART DES CAS, AUCUNE AUTRE FIXATION QUE CELLES FOURNIES AVEC L'ENCEINTE N'EST NÉCESSAIRE.

Tous les accessoires nécessaires à la plupart des situations de fixation sont fournis avec votre enceinte encastrable Control Contractor.

Cependant, JBL propose des fixations de préinstallation optionnelles qui facilitent parfois le montage sur des plaques de plâtre **avant que ces dernières soient posées**. La fixation de préinstallation fournit une patte qui peut permettre d'attacher le câblage derrière le placoplatre. Elle peut servir de gabarit de coupe quand l'installation de la ligne d'enceintes nécessite de faire beaucoup de découpes. Elle peut aussi permettre de réserver un emplacement dans le plafond avant la pose des plaques de plâtre. JBL Professional propose deux types de fixation de préinstallation sous forme d'accessoires optionnels :

1. La fixation optionnelle **NC NEW-CONSTRUCTION BRACKET** (« support de nouvelle construction ») est fabriquée dans une feuille de métal plate dotée de pattes de fixation à la structure du plafond. Elle est percée de trous pour clou ou vis disposés à 406 mm (16") et 610 mm (24") du centre. L'installateur peut percer des trous supplémentaires situés au plus à 630 mm (24,75") du centre. La fixation fournit un gabarit de découpe aveugle pour le trou dans le placoplatre qui permet de poser les plaques de plâtre après l'installation des fixations. Dans ce cas, on coupera le placoplatre avec une défonceuse en utilisant l'anneau de la fixation comme gabarit de coupe.

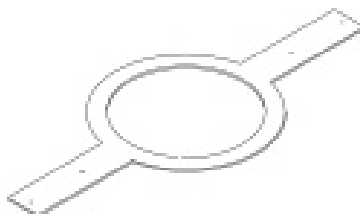


Illustration 1 :

Fixation optionnelle NC New-Construction Bracket (support de nouvelle construction)

2. La fixation optionnelle **MR PLASTER-RING BRACKET** (« anneau pour enduit ») possède une lèvres circulaire qui forme un bord permettant d'enduire des plaques de plâtre. Elle est dotée de pattes à fixer à la structure du bâti. La plaque de plâtre doit être prédécoupée ou découpée avec un outil de coupe rotatif en utilisant l'extérieur de la lèvres circulaire comme guide. Il faut ensuite enduire la découpe de la plaque de plâtre jusqu'à l'anneau pour obtenir un bord propre.

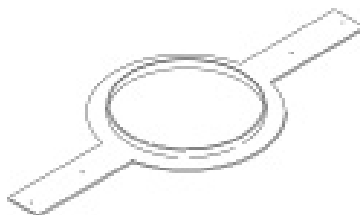


Illustration 2 :

Fixation optionnelle MR Plaster-Ring Bracket (anneau pour enduit)

Tableau 1 : Fixations de préinstallation

| Modèle | New Construction Bracket | Plaster-Ring Bracket |
|---|--------------------------|----------------------|
| Control 412C/T, Control 414C/T, Control 412C/T-VA, Control 414C/T-VA | JBL-MTC-424NC | JBL-MTC-424MR |
| Control 416C/T, Control 416C/T-VA | JBL-MTC-426NC | JBL-MTC-426MR |
| Control 418C/T | JBL-MTC-447NC | JBL-MTC-447MR |

UTILISATION DE LA FIXATION EN C FOURNIE SUR DU PLACOPLATRE

La plaque d'appui en forme de C FOURNIE avec l'enceinte permet de répartir la pression exercée par les fixations. Dans la plupart des situations, elle constitue un renfort suffisant pour le matériau du plafond. Même si l'une des fixations se retrouve entre les extrémités du C, les autres fixations reposeront sur le C et assureront un appui suffisant pour l'installation sur des plaques de plâtre.

TAILLES DE DÉCOUPE DU PLAFOND

Les enceintes sont fournies avec des gabarits de découpe en carton qui permettent de tracer le contour du trou sur le plafond.

Tableau 2 : Tailles de découpe

| Modèle | Taille de découpe (diamètre) |
|-----------------------------------|------------------------------|
| Control 412C/T, Control 412C/T-VA | 168 mm (6,6") |
| Control 414C/T, Control 414C/T-VA | 168 mm (6,6") |
| Control 416C/T, Control 416C/T-VA | 223 mm (8,8") |
| Control 418C/T | 282 mm (11,1") |

GRILLES BG (noire) et SG (carrée) OPTIONNELLES

Une grille ronde noire et une grille carrée blanche sont disponibles en option. Si vous voulez du noir, vous pouvez utiliser la grille carrée noire **JBL-MTC-xxxBG** à la place de la grille blanche fournie avec le produit. Une autre solution consiste à peindre la grille blanche fournie (voir ci-après). Si vous voulez une forme carrée, vous pouvez utiliser la grille carrée blanche **JBL-MTC-xxxSG** à la place de la grille fournie avec le produit. On peut peindre ces grilles dans la couleur désirée (noir compris). Ces grilles couvrent entièrement l'enceinte.

| Modèle | Grilles rondes noires | Grilles carrées |
|-----------------------------------|-----------------------|-----------------|
| Control 412C/T, Control 412C/T-VA | JBL-MTC-414BG | JBL-MTC-414SG |
| Control 414C/T, Control 414C/T-VA | JBL-MTC-414BG | JBL-MTC-414SG |
| Control 416C/T, Control 416C/T-VA | JBL-MTC-416BG | JBL-MTC-416SG |
| Control 418C/T | JBL-MTC-418BG | JBL-MTC-418SG |

5. INSTALLATION ET CÂBLAGE ÉTAPE PAR ÉTAPE

Le système a été conçu pour que toute l'installation puisse être réalisée en restant sous le plafond, par exemple dans les situations où l'espace au-dessus des panneaux du plafond est difficile ou impossible d'accès. Cependant, dans certains cas, par exemple avec des dalles de plafond amovibles, il est avantageux de pouvoir travailler au-dessus et en dessous du plafond pour réaliser les différentes étapes de l'installation.

Note : la méthode de câblage doit être conforme aux directives suivantes :

1. Canada : CSA C22.1, Canadian Electrical Code, Part I, Safety Standard for Electrical Installations, Section 32
2. États-Unis : NFPA 70.

Étape 1 – Découpe du trou. Découpez le trou après avoir tracé son contour à l'aide du gabarit en carton fourni ou des indications du tableau des tailles de découpe ci-dessus. Pour découper le trou, utilisez un outil sans danger comme une scie sauteuse et protégez vos yeux. Travaillez avec précision, ne déviez pas du diamètre de découpe de plus de 1,5 mm (1/16"). Passez le câblage à travers le trou.

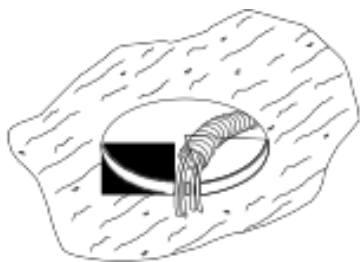


Illustration 3 :

Découpe du trou
(ici, le câblage est dans une gaine flexible)

Étape 2 – Insérez les accessoires d'appui par le trou.

Deux sortes d'accessoires d'appui sont fournies avec les enceintes : une plaque d'appui en C (« anneau en C ») et deux rails pour dalle de plafond.

Plafonds suspendus – Passez l'anneau en C à travers le trou découpé dans la dalle du plafond (ou, si vous en avez la possibilité, mettez-le en place en accédant à l'espace

au-dessus du plafond). Placez l'anneau en C sur le pourtour du trou en positionnant les pattes comme indiqué par l'illustration 4. Passez les rails par le trou découpé dans la dalle du plafond. Glissez les deux rails dans les deux pattes de l'anneau en C et alignez-les de sorte que leurs extrémités passent AU-DESSUS des barres en T au bord de la dalle. Fixez les rails sur les pattes de l'anneau en C avec une vis qui traverse la patte et le rail. Si la situation l'impose, vous pouvez faire tout ça en restant sous les dalles du plafond.

SÉCURITÉ : UTILISATION DES FIXATIONS

Pour l'installation dans un plafond suspendu, vous DEVEZ utiliser TOUS les accessoires de fixation fournis, c'est-à-dire l'anneau en C et les rails de dalle.

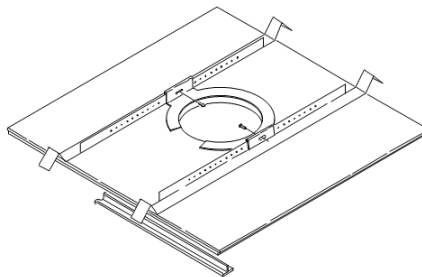


Illustration 4 :

Placement de l'anneau en C et des rails sur la dalle du plafond

Rails pour dalle : Les rails sont conçus pour s'adapter à des dalles standard de 24" ou 600 mm. Les rails ne se fixent PAS sur les barres en T de la structure qui maintient les dalles. Leurs extrémités en V renversé doivent prendre place AU-DESSUS des barres en T de la structure. En conditions normales, les rails sont soutenus par le bord de la dalle. Dans le cas peu probable où la dalle bascule ou se détache, les extrémités des rails sont conçues pour s'accrocher à la barre en T de la structure afin de maintenir l'enceinte en place de façon sûre.

Des rails optionnels JBL-MTC-48TRX4 (pack de 4 rails pour dalle) sont disponibles pour l'installation sur de grandes dalles de plafond de 1200 x 1200 mm (4 x 4 ft).

Réduction des vibrations : Les enceintes peuvent développer un volume sonore important qui peut conduire les matériaux ou la structure du plafond à

générer des bruits parasites. Selon les caractéristiques des dalles et de la structure du plafond, l'installateur devra éventuellement insérer du néoprène ou un autre matériau amortissant sous les rails ou les bords des dalles pour éliminer les vibrations bruyantes.

Position de la découpe : Des trous de fixation sont répartis sur toute la longueur des rails. Vous n'êtes pas obligé de placer l'enceinte au centre d'une dalle.

Plafonds non suspendus – Avec des plafonds non suspendus, vous pouvez consolider le matériau du plafond en utilisant l'anneau en C pour répartir la force exercée par le serrage des pattes. Passez l'anneau en C par le trou découpé dans le plafond et placez-le sur la partie supérieure du trou avant d'insérer l'enceinte.

Étape 3 – Branchement des connecteurs dans les embases du compartiment des connexions de l'enceinte.

Dévissez entièrement la vis sur la partie supérieure de la coque de l'enceinte qui maintient le COUVERCLE DU BORNIER. Cette vis reste captive dans le couvercle du bornier (ne l'en extrayez pas entièrement).

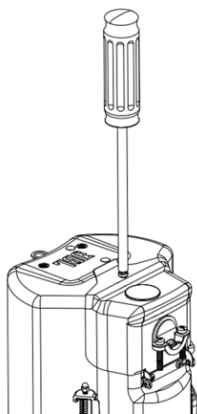


Illustration 5 :

Dévissez entièrement la vis captive du COUVERCLE DU BORNIER

Ouvrez le COUVERCLE DU BORNIER – La charnière du COUVERCLE DU BORNIER se trouve sur le côté de la coque à l'arrière des Control 412C/T, Control 412C/T-VA, Control 414C/T et Control 414C/T-VA.

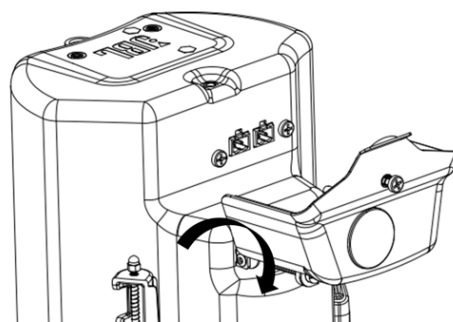


Illustration 6A : Ouvrez le COUVERCLE DU BORNIER (ici sur le Control 414C/T)

La charnière du COUVERCLE DU BORNIER se trouve au sommet de la coque arrière des Control 416C/T, Control 416C/T-VA et Control 418C/T.

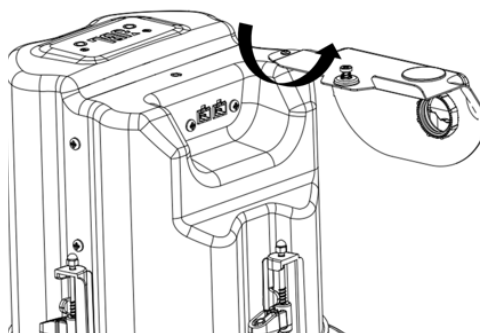


Illustration 6C : Ouvrez le COUVERCLE DU BORNIER (ici sur le Control 416C/T)

Emplacement de la DÉCHARGE DE TRACTION – Pour que l'enceinte prenne le moins de place possible, la DÉCHARGE DE TRACTION – c'est-à-dire la sortie du câblage – est installée par défaut sur le côté de la coque des Control 412C/T, Control 414C/T, Control 416C/T et Control 418C/T.

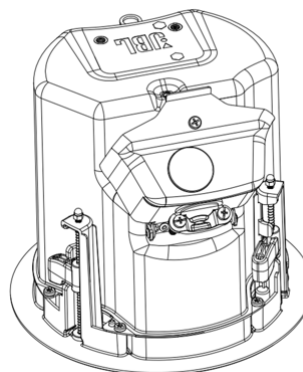


Illustration 7 : Par défaut, la décharge de traction est sur le côté

Si vous souhaitez que la DÉCHARGE DE TRACTION soit au sommet de la coque arrière de l'enceinte plutôt que sur le côté, suivez la procédure ci-dessous :

OPTIONNEL : PLACER LA DÉCHARGE DE TRACTION AU SOMMET (modèles non VA)

[Étapes optionnelles pour placer la décharge de traction au sommet de la coque]

Le couvercle du bornier est doté de deux trous de même diamètre, l'un au sommet de la coque arrière, l'autre sur le côté. En sortie d'usine, le trou au sommet est occupé par un BOUCHON À PRESSION et le trou latéral par la DÉCHARGE DE TRACTION. Pour les interchanger, ouvrez le couvercle du bornier, faites sauter le BOUCHON À PRESSION en le poussant vers l'extérieur et conservez-le pour plus tard.

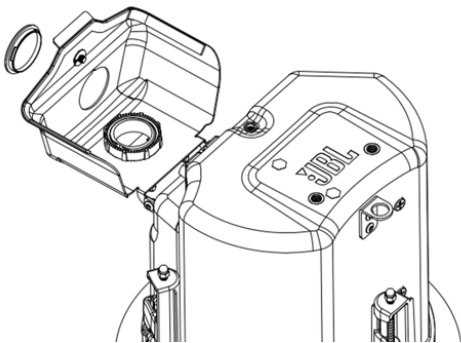


Illustration 8 : Poussez le BOUCHON À PRESSION vers l'extérieur

[Étapes optionnelles pour placer la décharge de traction au sommet de la coque]

À l'intérieur du COUVERCLE DU BORNIER, dévissez l'écrou qui maintient la DÉCHARGE DE TRACTION.

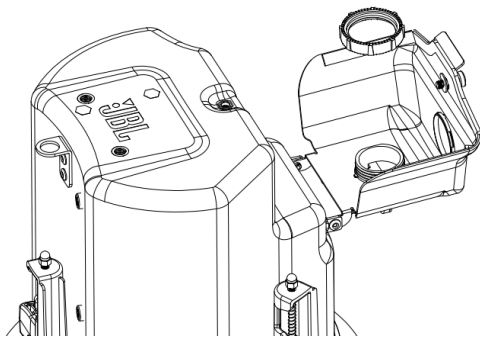


Illustration 9 : Dévissez L'ÉCROU

[Étapes optionnelles pour placer la décharge de traction au sommet de la coque]

Insérez la DÉCHARGE DE TRACTION dans le trou au sommet du COUVERCLE DU BORNIER. Serrez l'écrou qui maintient la DÉCHARGE DE TRACTION.

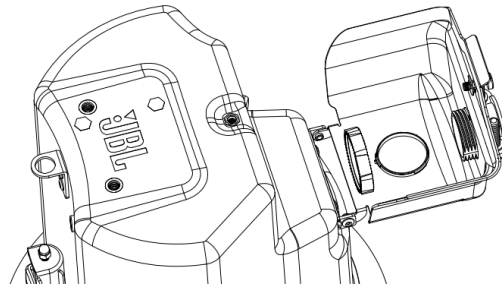


Illustration 10 : Placez et fixez la décharge de traction au sommet

[Étapes optionnelles pour placer la décharge de traction au sommet de la coque]

Insérez le BOUCHON À PRESSION dans le trou latéral du COUVERCLE DU BORNIER.

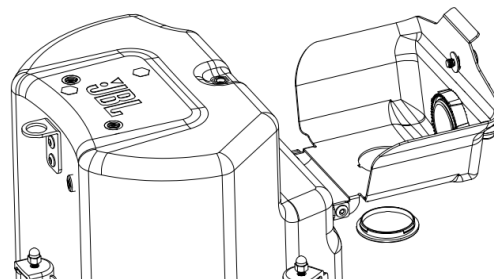


Illustration 11 : Enfoncez le BOUCHON À PRESSION

Les Control 412C/T-VA, Control 414C/T-VA et Control 416C/T-VA possèdent deux trous au sommet du couvercle du bornier. L'un est fermé par un BOUCHON À PRESSION.

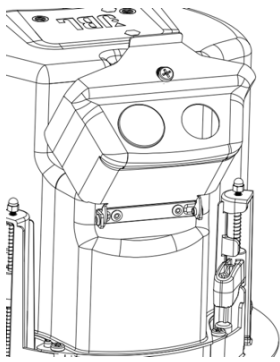


Illustration 11A : Deux trous au sommet par défaut.

Installez la collerette de fixation dans le trou ouvert. Vérifiez que la collerette est fixée et serrée correctement. Si deux collerettes de fixation sont nécessaires, on peut en installer une deuxième (non fournie) sur l'autre trou, naturellement après avoir retiré le BOUCHON À PRESSION.

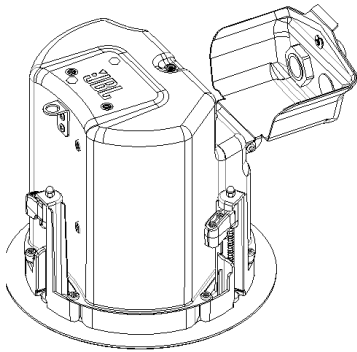


Illustration 11B : Installez la collerette de fixation dans le trou ouvert

Étape 4.1 – Reliez le câblage au(x) connecteur(s) amovibles à verrouillage (Control 412C/T, Control 414C/T, Control 416C/T et Control 418C/T) – Deux connecteurs amovibles 2 broches sont fournis avec l'enceinte, l'un pour l'entrée (IN), l'autre pour la sortie (LOOP OUT). Après avoir dénudé leur extrémité sur environ 5 mm (3/16"), branchez les câbles aux connecteurs amovibles à verrouillage. L'extrémité des câbles ne doit pas être plus dénudée pour éviter tout risque de court-circuit ni moins dénudée pour assurer une connexion fiable. Insérez l'extrémité dénudée du câble dans le connecteur et serrez la vis de maintien à fond avec un petit tournevis plat. Serrez aussi toutes les vis non utilisées pour éviter les vibrations. Pour éviter tout court-circuit entre les câbles, vérifiez bien qu'ils ne sont pas effilochés et qu'aucune partie à nu n'est exposée.

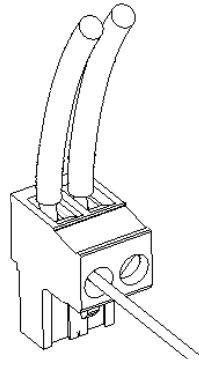


Illustration 12 : Connectez les câbles au connecteur amovible à verrouillage (ici avec des câbles séparés non gainés sur 2 entrées)

Guide des bornes de connexion -- Les deux connecteurs amovibles possèdent 2 bornes chacun. Le brochage est indiqué sur l'étiquette située sur le couvercle du bornier.

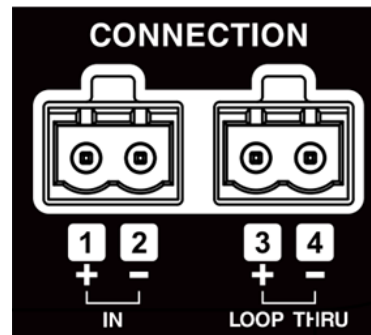


Illustration 13 : Bornes des connecteurs (ici sur le Control 418C/T)

Les bornes 1 et 2 (sur l'un des connecteurs 2 broches) correspondent aux entrées « + » et « - » de l'enceinte. À l'intérieur de l'enceinte, les bornes 3 & 4 sont reliées aux bornes 1 et 2 (broche 1 avec broche 3 et broche 2 avec broche 4). Les bornes 3 et 4 sont les connexions de sortie pour les enceintes suivantes dans la ligne.

Pour brancher des enceintes en aval, raccordez les deux câbles de l'enceinte suivante aux broches 3 et 4 (LOOP THRU).

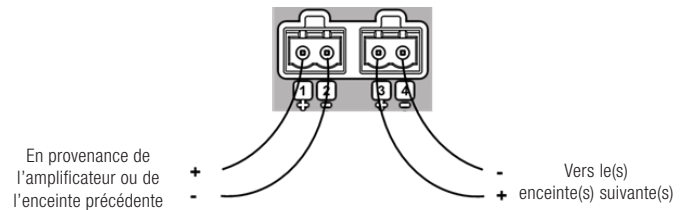


Illustration 13 : Bornes de connecteurs

Après avoir relié le(s) connecteur(s) 2 broches au câblage, faites-le(s) passer à travers la DÉCHARGE DE TRACTION.

Branchez le(s) connecteur(s) 2 broches à l'enceinte

- Embase(s) de connexion – Branchez les connecteurs aux embases en respectant la polarité +/- et en vérifiant que les câbles ne sont pas effilochés ni trop dénudés afin d'éviter tout risque de court-circuit.

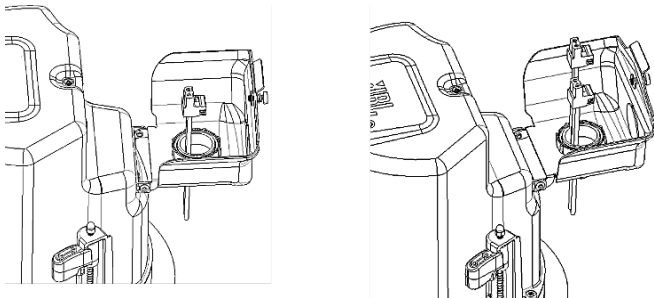


Illustration 14 : Passez les connecteurs à travers la décharge de traction

- Si vous voulez respecter la norme IP33, utilisez des capuchons en caoutchouc et suivez les instructions ci-dessous :

[Étapes optionnelles pour brancher le(s) connecteur(s) amovibles à l'enceinte]

Faites passer le câblage à travers la décharge de traction de l'extérieur vers l'intérieur.

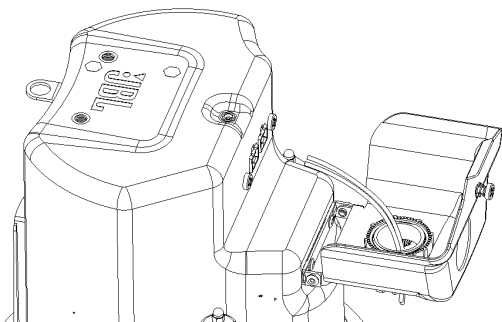


Illustration 15 : Passez le câblage à travers la décharge de traction

[Étapes optionnelles pour brancher le(s) connecteur(s) amovibles à l'enceinte]

Faites passer le câblage à travers les capuchons en

caoutchouc en entrant par la petite ouverture et en sortant par la grande.

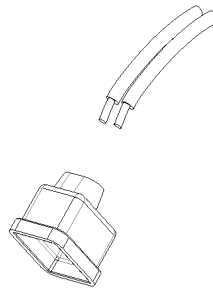


Illustration 16 : Faites passer le câblage à travers les capuchons en caoutchouc

[Étapes optionnelles pour brancher le(s) connecteur(s) amovibles à l'enceinte]

Raccordez le câblage au connecteur.

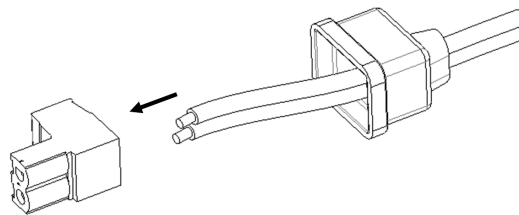


Illustration 17 : Raccordez le câblage au connecteur

[Étapes optionnelles pour brancher le(s) connecteur(s) amovibles à l'enceinte]

Verrouillez le connecteur avec un tournevis.

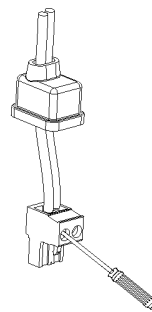


Illustration 18 : Verrouillez le connecteur avec un tournevis

[Étapes optionnelles pour brancher le(s) connecteur(s) amovibles à l'enceinte]

Faites glisser le capuchon en caoutchouc à proximité du connecteur.

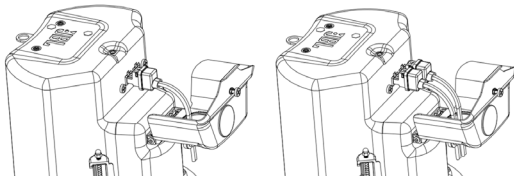


Illustration 19 : Faites glisser le capuchon en caoutchouc à proximité du connecteur

[Étapes optionnelles pour brancher le(s) connecteur(s) amovibles à l'enceinte]

Utilisez de la colle silicone pour sceller la jointure de la petite ouverture du capuchon en caoutchouc (voir illustration).

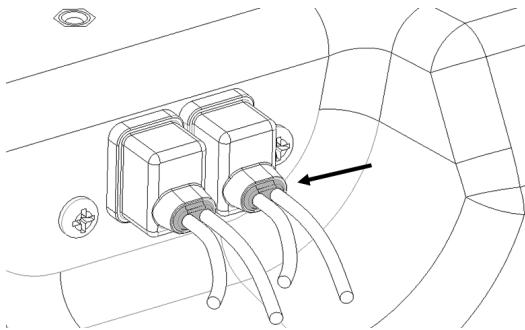


Illustration 19A : Ajoutez de la colle silicone

Étape 4.2 – Reliez le câblage au(x) connecteur(s) amovible(s) à verrouillage

(Control 412C/T-VA, Control 414C/T-VA et Control 416C/T-VA) – Un bornier en céramique est fixé à l'enceinte. Dénudez l'isolation à l'extrémité du câble sur environ 5 mm (3/16"). Ne dénudez PAS le câble sur une longueur supérieure. Insérez l'extrémité dénudée du câble dans le connecteur en vérifiant que la partie à nu ne dépasse pas hors du connecteur. Utilisez uniquement le côté du bornier dans lequel il n'y a pas encore de câbles.

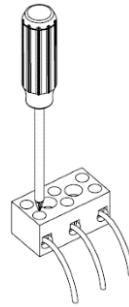


Illustration 19A : Branchez les câbles dans le bornier en céramique

(Notez que le câble de droite représenté sur le schéma est optionnel. Il est uniquement nécessaire si le châssis du haut-parleur doit être relié à la terre.)

Sur ces mêmes bornes, vous pouvez ajouter un second jeu de câbles en parallèle si vous souhaitez mettre une autre enceinte en boucle. Vissez la vis de maintien à fond avec un petit tournevis cruciforme. Serrez aussi toutes les vis non utilisées pour éviter les bruits des vibrations.

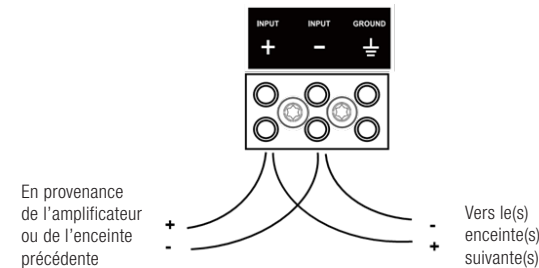


Illustration 19B : Branchez deux jeux de câbles dans le bornier en céramique pour mettre une enceinte suivante en boucle.

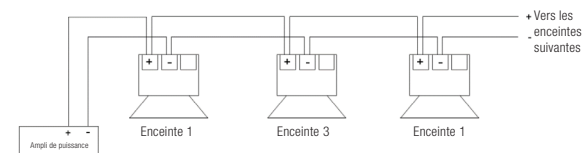


Illustration 19C : Branchement de plusieurs enceintes en parallèle au sein d'une ligne de distribution en 70V ou 100V.

Guide des bornes de connexion -- Le bornier en céramique comporte 3 bornes : + INPUT, - INPUT et GROUND.

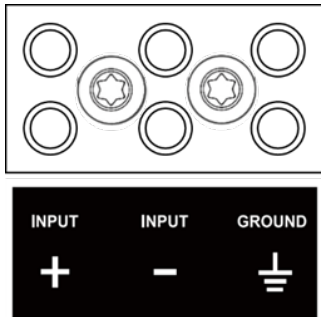


Illustration 19D : Bornier

Étape 5 – Branchez le(s) connecteur(s) 2 broches déjà câblé(s) au(x) EMBASE(S) 2 broches – Respectez la polarité +/- et orientez le(s) connecteur(s) comme indiqué sur l'étiquette.

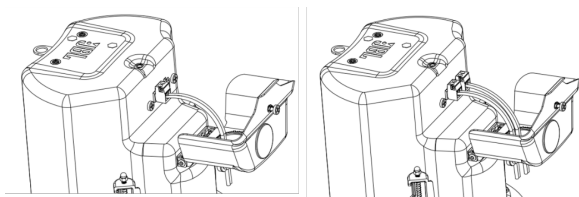


Illustration 20 : Branchez les connecteurs sans capuchon en caoutchouc dans les embases

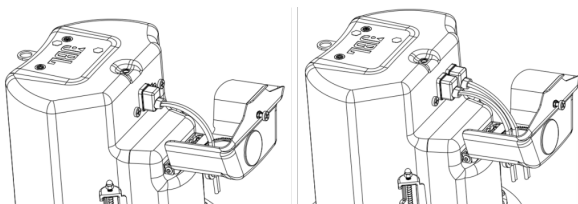


Illustration 21 : Branchez les connecteurs dans les embases puis faites glisser les capuchons en caoutchouc jusqu'aux connecteurs pour qu'ils les recouvrent entièrement

Étape 6 – Fermez et verrouillez le COUVERCLE DU BORNIER – Fermez le compartiment du bornier et fixez le COUVERCLE DU BORNIER en serrant sa vis captive.

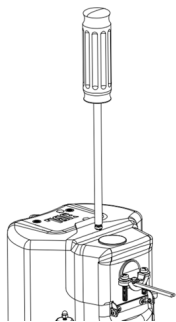


Illustration 22 : Fermez le COUVERCLE DU BORNIER et serrez sa vis

Étape 7 – Serrez le mécanisme de la DÉCHARGE DE TRACTION avec les 2 vis fournies.

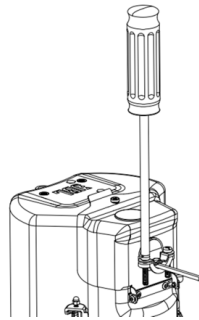


Illustration 23 : Serrez le mécanisme de la décharge de traction

(ici, la DÉCHARGE DE TRACTION est placée sur le côté et maintient des câbles sans gaine)

IMPORTANT :



Respectez toujours les règles et directives de construction locales qui s'appliquent à votre projet.

Étape 8 – Placez et fixez l'enceinte au plafond. Insérez l'enceinte dans la découpe du plafond et poussez-la à fond pour que le bord de son baffle (face avant) touche le plafond.

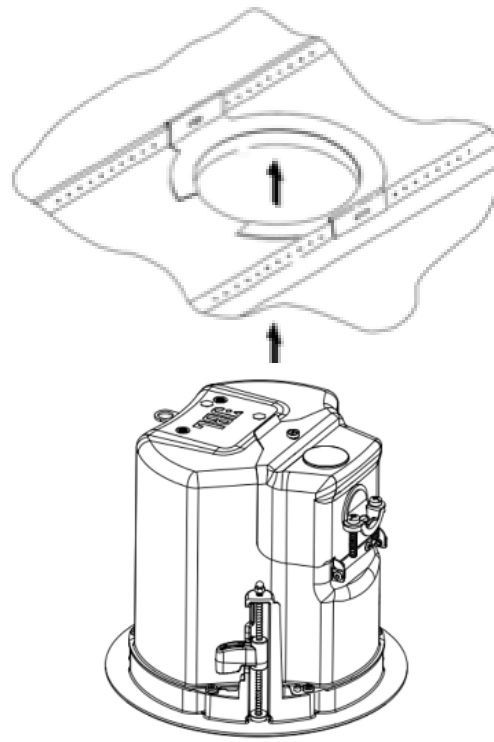


Illustration 24 : Insérez l'enceinte dans la découpe du plafond

Serrez les fixations -- IMPORTANT -- Pour chaque vis de fixation, donnez D'ABORD un ½ tour VERS LA GAUCHE pour libérer la patte de la fixation de son logement.

Ensuite, tournez la vis dans le SENS DES AIGUILLES D'UNE MONTRE pour serrer les pattes de fixation jusqu'à ce qu'elles prennent appui sur la surface du plafond. Réglez la pression en fonction des caractéristiques du matériau du plafond. **NE SERREZ PAS EXCESSIVEMENT.**

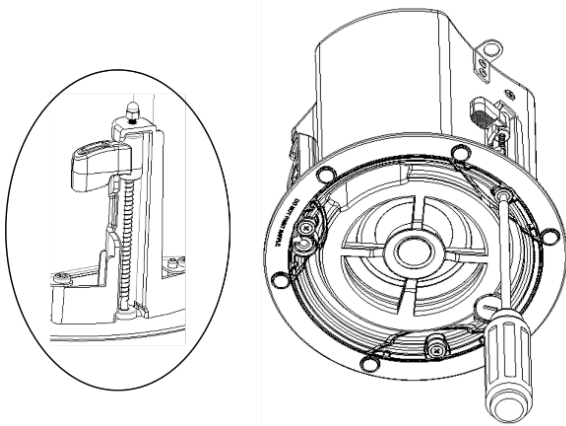


Illustration 25 : Serrez les pattes de fixation

Nombre de pattes de fixation selon le modèle

| Modèle | Nombre de vis de patte de fixation |
|--|------------------------------------|
| Control 412C/T, Control 412C/T-VA, Control 414C/T, Control 414C/T-VA | 3 pattes de fixation |
| Control 416C/T, Control 416C/T-VA, Control 418C/T | 4 pattes de fixation |

Utilisation dans des plafonds épais – Par défaut, la patte de fixation se trouve au milieu de sa course, et elle peut être utilisée telle quelle avec la plupart des épaisseurs de plafond. Dans les plafonds épais pour lesquels la position de la patte de fixation doit être à hauteur maximale, tournez les vis dans le SENS INVERSE DES AIGUILLES D'UNE MONTRE jusqu'à la butée (tout en vérifiant que la patte n'est pas maintenue au milieu) avant d'insérer l'enceinte dans la découpe du plafond.

Pour désinstaller l'enceinte, tournez la vis de toutes les pattes de fixation dans le SENS INVERSE DES AIGUILLES D'UNE MONTRE jusqu'à la butée. Lorsque les vis ont atteint leur butée, les pattes se replient, ce qui permet de retirer l'enceinte du plafond.

Maintenez bien l'enceinte pour éviter qu'elle tombe pendant que vous dévissez les vis des pattes de fixation.

Étape 9 – Accrochez un câble de sécurité à L'ŒILLET

ANTICHUTE – Situé sur le côté de chaque enceinte, un œillet permet d'accrocher l'enceinte à un autre élément du bâti. Selon les normes de construction en vigueur, l'utilisation de ce point d'attache secondaire peut être obligatoire, auquel cas il doit être accroché à un élément du bâti suffisamment résistant. Consultez les directives de construction de votre région.

IMPORTANT :

Les enceintes encastrables Control Contractor peuvent générer d'importantes vibrations. Il est fortement recommandé de sécuriser l'enceinte en attachant un câble à l'œillet antichute au cas où la dalle ou la structure du plafond casserait.



Étape 10 – Réglez le sélecteur de prise – Le sélecteur de prise est situé sur le baffle à l'avant de l'enceinte. Réglez le sélecteur de prise avant de placer la grille et avant d'envoyer un signal dans l'enceinte. Dans certaines situations, il est avantageux de ne PAS fixer les grilles avant d'avoir pu vérifier le réglage final des prises dans les enceintes du système.

« NC » = Pas de connexion. (N'utilisez pas ce réglage avec une ligne de distribution en 100V)

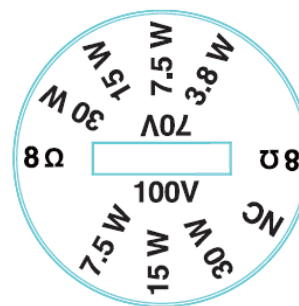


Illustration 26 : Sélecteur de prise (ici sur le Control 416C/T)

Étape 11 – Joignez la cheville de fixation et le filin de sécurité puis fixez la grille – La grille est dotée d'un filin de sécurité. Insérez la cheville de fixation avec l'extrémité du filin (qui est fourni déjà attaché à la grille) dans le trou prévu à cet effet sur le baffle à l'avant de l'enceinte. Vérifiez que la cheville

est totalement enfoncée dans le trou et ne dépasse pas, ce qui vous empêcherait de fixer la grille correctement.

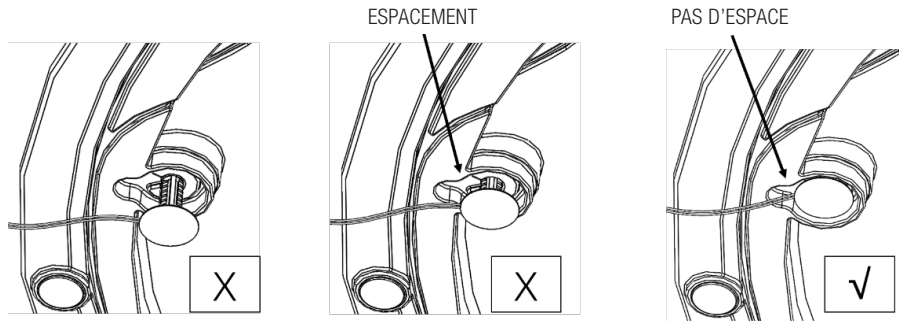


Illustration 27 : Vérifiez bien que la cheville est totalement enfoncée

Ensuite, placez la grille devant l'enceinte en veillant à ne pas faire passer le filin devant l'un des transducteurs sans quoi les vibrations pourraient générer des bruits parasites. Vérifiez que la grille à fixation magnétique est placée de sorte qu'elle ne se détache pas et ne tombe pas en raison des vibrations.

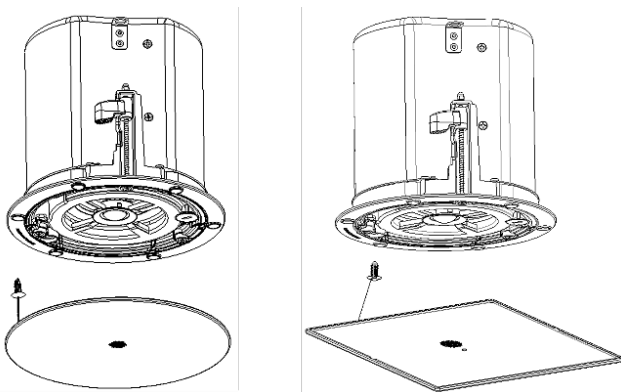


Figure 28: Fixez la grille

6. PEINDRE LA GRILLE

IMPORTANT :



Control 412C/T-VA, Control 414C/T-VA et Control 416C/T-VA (versions de sécurité) – Pour conserver l'indice anti-incendie, ne peignez PAS la grille et ne modifiez pas la finition d'usine.

Pour les autres modèles de la série Control Contractor Standard Coverage, la finition blanche de la grille se marie bien à la plupart des environnements et ne nécessite pas d'ajustement particulier. En cas de besoin, on peut facilement peindre ces grilles. La grille recouvre toute l'enceinte et peut donc être peinte avant l'installation de l'enceinte.

IMPORTANT :



Ne peignez PAS le baffle (face avant) de l'enceinte. La présence de peinture entre l'aimant et la grille peut affaiblir le champ magnétique qui maintient la grille.

Pour un résultat optimal, nous vous conseillons de suivre la procédure suivante :

- Retirez délicatement le revêtement intérieur à l'arrière de la grille sans le déchirer. Conservez-le pour le remettre en place après avoir peint la grille. Couvrez le logo de la grille ou enlevez-le (vous le remettrez en place après avoir peint la grille). N'enlevez PAS la bordure.
- Nettoyez la grille et sa bordure en les frottant avec un chiffon légèrement imbibé de solvant léger de type essence minérale, par exemple du white spirit. N'utilisez pas de matériau abrasif comme du papier de verre ou de la paille de fer parce qu'ils peuvent attaquer la pellicule antirouille qui recouvre la grille. N'utilisez pas d'essence, de kérosène, d'acétone, de butanone, de diluant pour peinture, de détergents durs ni d'autres produits chimiques. L'utilisation de ces produits peut endommager la grille de façon irréversible. Ne poncez pas la grille.
- Pulvérisez une ou plusieurs fines couches de peinture. Veillez à ne pas remplir de peinture les trous de la grille. Ils sont nécessaires pour laisser passer le son. Leur obstruction amoindrirait la qualité sonore de l'enceinte.
- Une fois la peinture totalement sèche, remettez en place le revêtement intérieur à l'arrière de la grille. S'il s'est rétracté depuis qu'il a été retiré de la grille, étirez-le jusqu'à ce qu'il couvre toute la surface. S'il s'est dilaté depuis qu'il a été retiré de la grille, coupez-le à la bonne taille.
- Si l'adhérence à l'arrière de la grille n'est plus suffisante pour maintenir le revêtement intérieur (ou si elle a été recouverte par de la peinture), vaporisez une très fine couche d'adhésif à l'arrière de la grille.
- Vaporisez légèrement l'adhésif sur L'ARRIÈRE DE LA GRILLE plutôt que sur le revêtement intérieur. Si votre adhésif nécessite de vaporiser les deux surfaces, choisissez-en un autre. En vaporisant un adhésif sur la face avant du revêtement intérieur, on expose la colle à l'air libre à travers les trous de la grille, ce qui peut attirer et retenir des poussières qui nuiront à l'esthétique de l'enceinte.
- Ne posez PAS l'avant de la grille sur une surface au-dessus de laquelle vous avez vaporisé un adhésif. De la colle pourrait se déposer à l'avant de la grille, ce qui attirera et retiendra des poussières et des impuretés.
- Si vous avez enlevé le logo JBL au lieu de le couvrir, remettez-le au centre de la grille. Le centre de la grille présente une légère dépression qui indique l'emplacement du logo.

Couvrez l'enceinte avant de peindre le plafond – Ne peignez pas l'enceinte elle-même. La grille couvre entièrement l'enceinte et le baffle (face avant) est noir pour disparaître derrière la grille et son revêtement intérieur. Si vous voulez peindre le plafond après avoir installé l'enceinte, vous devrez au préalable couvrir entièrement l'enceinte, y compris les bords du baffle, de sorte que la peinture ne puisse pas se déposer sur les transducteurs – ni sur le baffle car la peinture pourrait être visible derrière la grille.

7. ENTRETIEN

Aucun entretien n'est nécessaire si l'installation a été réalisée conformément aux instructions d'installation et de câblage de ce manuel.

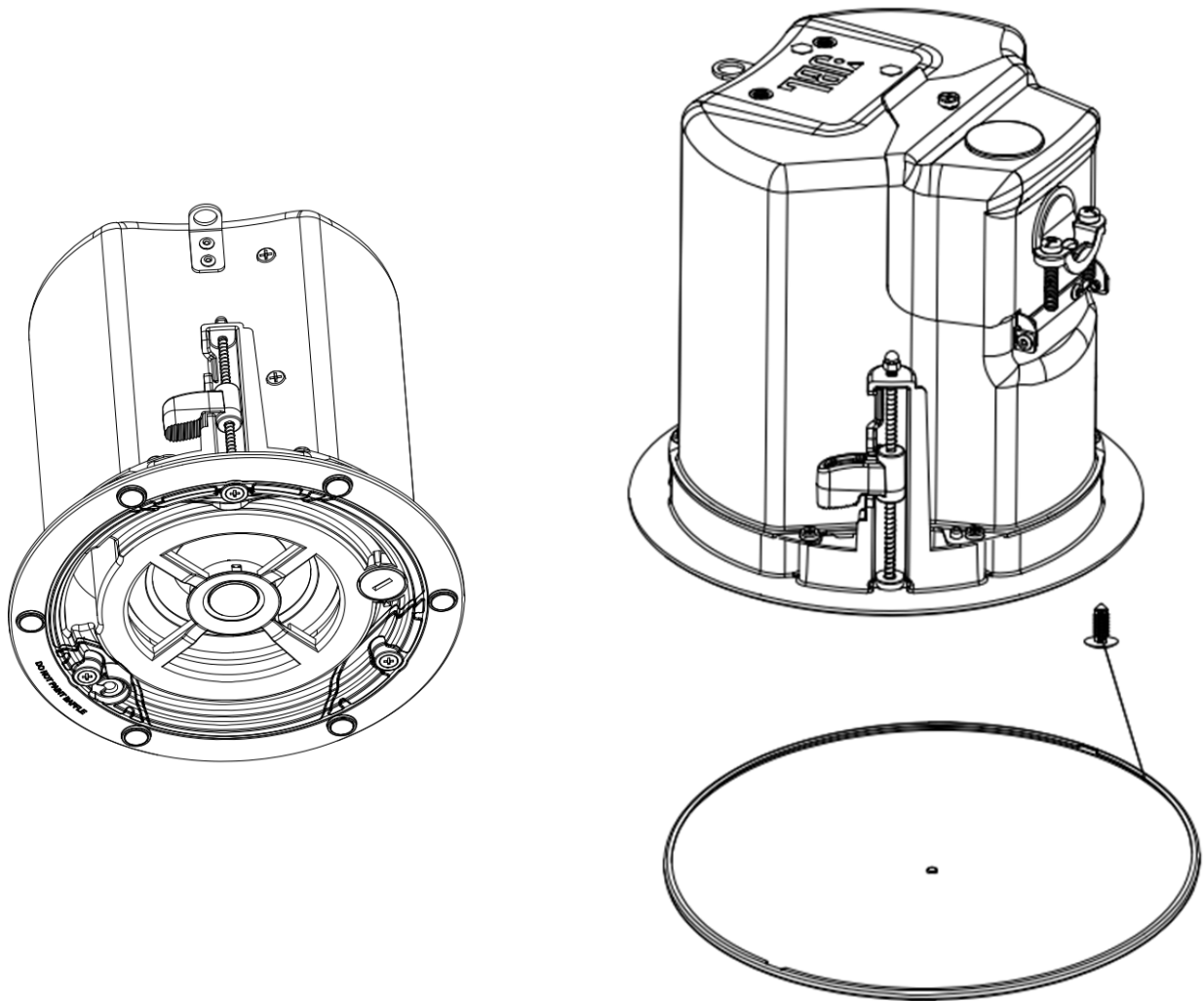
8. PIÈCES DÉTACHÉES



Ces enceintes ne contiennent aucun composant réparable par l'utilisateur. Pour le service après-vente, contactez un centre de service JBL agréé. Pour connaître le centre de service agréé près de chez vous, contactez JBL Professional en choisissant l'adresse appropriée ci-dessous.

JBL Control 400 Standard Coverage Serie Deckenlautsprecher

Control 412C/T, Control 414C/T, Control 416C/T, Control 418C/T,
Control 412C/T-VA, Control 414C/T-VA, Control 416C/T-VA



1. WICHTIGE SICHERHEITSHINWEISE

ACHTEN SIE AUF DIESE SYMBOLE:



Lesen Sie vor dem Gebrauch diese Bedienungsanleitung.



Das Blitzsymbol mit Pfeilspitze in einem gleichseitigen Dreieck soll den Benutzer auf das Vorhandensein von nicht isolierter „gefährlicher Spannung“ innerhalb des Produktgehäuses hinweisen, die stark genug sein kann, um einen elektrischen Schlag für Personen zu verursachen.



Das Ausrufezeichen in einem gleichseitigen Dreieck soll den Benutzer auf wichtige Betriebs- und Wartungsanweisungen in den dem Produkt beiliegenden Unterlagen hinweisen.



Hoher Schalldruck. Risiko von Gehörschäden.

WARNUNG: Die Installation darf nur von geschulten Personen unter Verwendung der von Harman zugelassenen Montageteile und Schutzvorrichtungen vorgenommen werden.

- 1. LESEN, BEWAHREN und BEFOLGEN** Sie alle Anweisungen. **ACHTEN** Sie auf alle Warnungen.
- Installieren und bedienen Sie das Gerät nur wie vorgeschrieben, um Sicherheitsrisiken zu vermeiden.
- Dieses Produkt ist nicht für die Verwendung in Umgebungen mit hoher Luftfeuchtigkeit oder langer/intensiver Sonneneinstrahlung (UV) vorgesehen. Wenn diese Bedingungen zu erwarten sind, decken Sie das Produkt entsprechend ab oder entfernen Sie es aus der Umgebung.
- Nur mit einem trockenen Tuch reinigen.
- Vergewissern Sie sich, dass alle Geräte **AUSGESCHALTET** sind, bevor Sie irgendwelche Verbindungen herstellen oder trennen.
- Befestigen Sie das Lautsprechergitter, bevor Sie das Gerät einschalten oder in Betrieb nehmen.
- Überlassen Sie alle Wartungsarbeiten qualifiziertem Servicepersonal. Das Gerät muss gewartet werden, wenn es in irgendeiner Weise beschädigt wurde, z. B. durch Flüssigkeiten oder Gegenstände im Gehäuse, durch Regen oder Feuchtigkeit, durch abnormalen Betrieb oder durch Herunterfallen.
- 8. NICHT** in der Nähe von Wärme- oder Flammenquellen installieren.
- Verwenden Sie nur die vom Hersteller angegebenen Anbauteile/Zubehörteile.
- Die IP-Schutzart hängt von zusätzlicher Hardware ab. Lesen Sie diese Installationsanweisungen sorgfältig durch, bevor Sie das Produkt in Betrieb nehmen.

WEEE-HINWEIS:

Dieses Produkt darf nicht mit dem übrigen Hausmüll entsorgt oder deponiert werden. Sie sind dafür verantwortlich, alle Ihre elektronischen oder elektrischen Altgeräte zu entsorgen, indem Sie sie zu der angegebenen Sammelstelle für das Recycling solcher gefährlichen Abfälle bringen. Durch die getrennte Sammlung und die ordnungsgemäße Verwertung Ihrer Elektro- und Elektronik-Altgeräte zum Zeitpunkt der Entsorgung tragen wir dazu bei, die natürlichen Ressourcen zu schonen. Darüber hinaus gewährleistet das ordnungsgemäße Recycling von Elektro- und Elektronik-Altgeräten die Sicherheit der menschlichen Gesundheit und der Umwelt. Weitere Informationen über die Entsorgung, Verwertung und Sammelstellen für Elektro- und Elektronik-Altgeräte erhalten Sie bei Ihrer Stadtverwaltung, dem Entsorgungsdienst für Haushaltsabfälle, dem Geschäft, in dem Sie das Gerät gekauft haben oder dem Hersteller des Geräts.



HARMAN Professional, Inc.
8500 Balboa Blvd. Northridge, CA 91325, USA

EU: HARMAN Professional Denmark ApS
Denmark ApS, Olof Palmes Allé 44, 8200 Aarhus N, Denmark

UK: HARMAN Professional Solutions
2 Westside, London Road, Hemel Hempstead, HP3 9TD, UK

2. PRODUKTBESCHREIBUNGEN

Vielen Dank für den Kauf der JBL Control 400 Standard Coverage Deckenlautsprecher.

Lesen Sie dieses Handbuch durch, um sich mit den Funktionen, Anwendungen und Vorsichtsmaßnahmen vertraut zu machen, bevor Sie diese Produkte verwenden.

Die JBL Control 400 Standard Coverage Deckenlautsprecher nutzen innovatives Design und hochwertige Materialien, um mit kompakten Deckenlautsprechern erstklassige Leistung zu bieten.

Control 412C/T ist ein kompakter Breitband-Deckenlautsprecher mit einem 3-Zoll-Breitbandtreiber. Der Lautsprecher kann für den Betrieb mit niedriger Impedanz (8Ω) eingestellt werden oder über eine verteilte 70-V- oder 100-V-Lautsprecherleitung betrieben werden. (SKU# ist JBL-C412C/T)

Control 414C/T ist ein koaxialer Zweiwege-Breitband-Deckenlautsprecher mit 4-Zoll-Tieftöner und $\frac{3}{4}$ -Zoll-Hochtöner. Der Lautsprecher kann für den Betrieb mit niedriger Impedanz (8Ω) eingestellt oder über eine verteilte 70-V- oder 100-V-Lautsprecherleitung betrieben werden. (SKU# ist JBL-C414C/T)

Control 416C/T ist ein koaxialer Zweiwege-Breitband-Deckenlautsprecher mit 6,5-Zoll-Tieftöner und $\frac{3}{4}$ -Zoll-Hochtöner. Der Lautsprecher kann für den Betrieb mit niedriger Impedanz (8Ω) eingestellt oder über eine verteilte 70-V- oder 100-V-Lautsprecherleitung betrieben werden. (SKU# ist JBL-C416C/T)

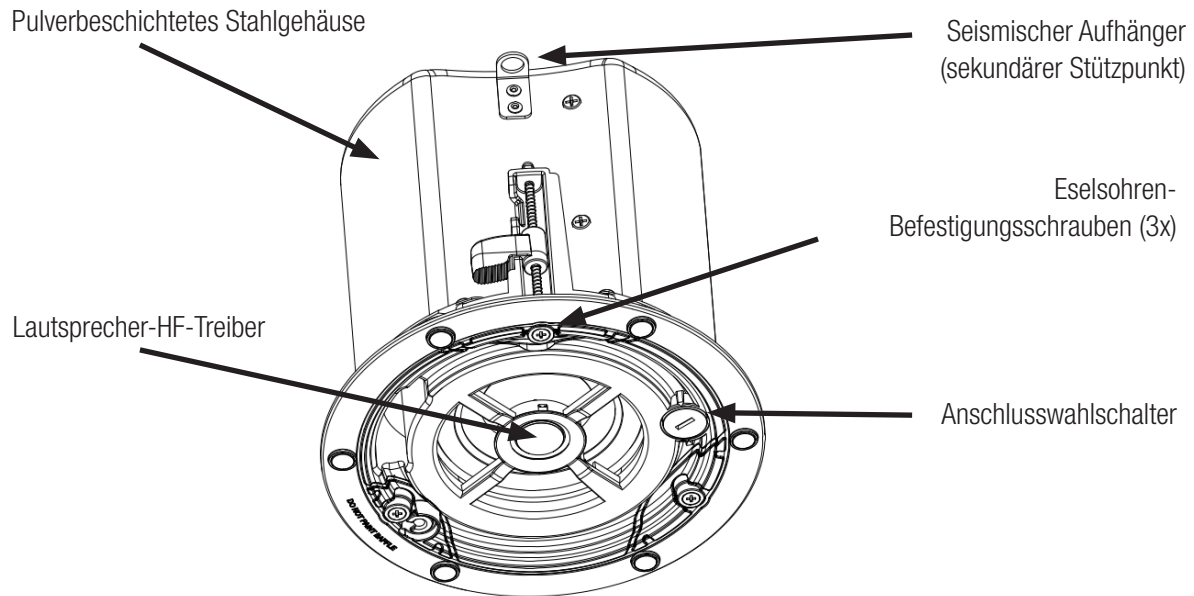
Control 418C/T ist ein koaxialer Zweiwege-Breitband-Deckenlautsprecher mit 8-Zoll-Tieftöner und 1-Zoll-Hochtöner. Der Lautsprecher kann für den Betrieb mit niedriger Impedanz (8Ω) eingestellt oder über eine verteilte 70-V- oder 100-V-Lautsprecherleitung betrieben werden. (SKU# ist JBL-C418C/T)

Die Control 412C/T-VA ist eine Version der Control 412C/T, die nicht nur der UL1480A für kommerzielle und professionelle Anwendungen entspricht (was bei allen Lautsprechern dieser Serie der Fall ist), sondern auch der **EN54-24 für Brandmelde- und Feueralarmsysteme**. (SKU# ist JBL-C412C/T-VA)

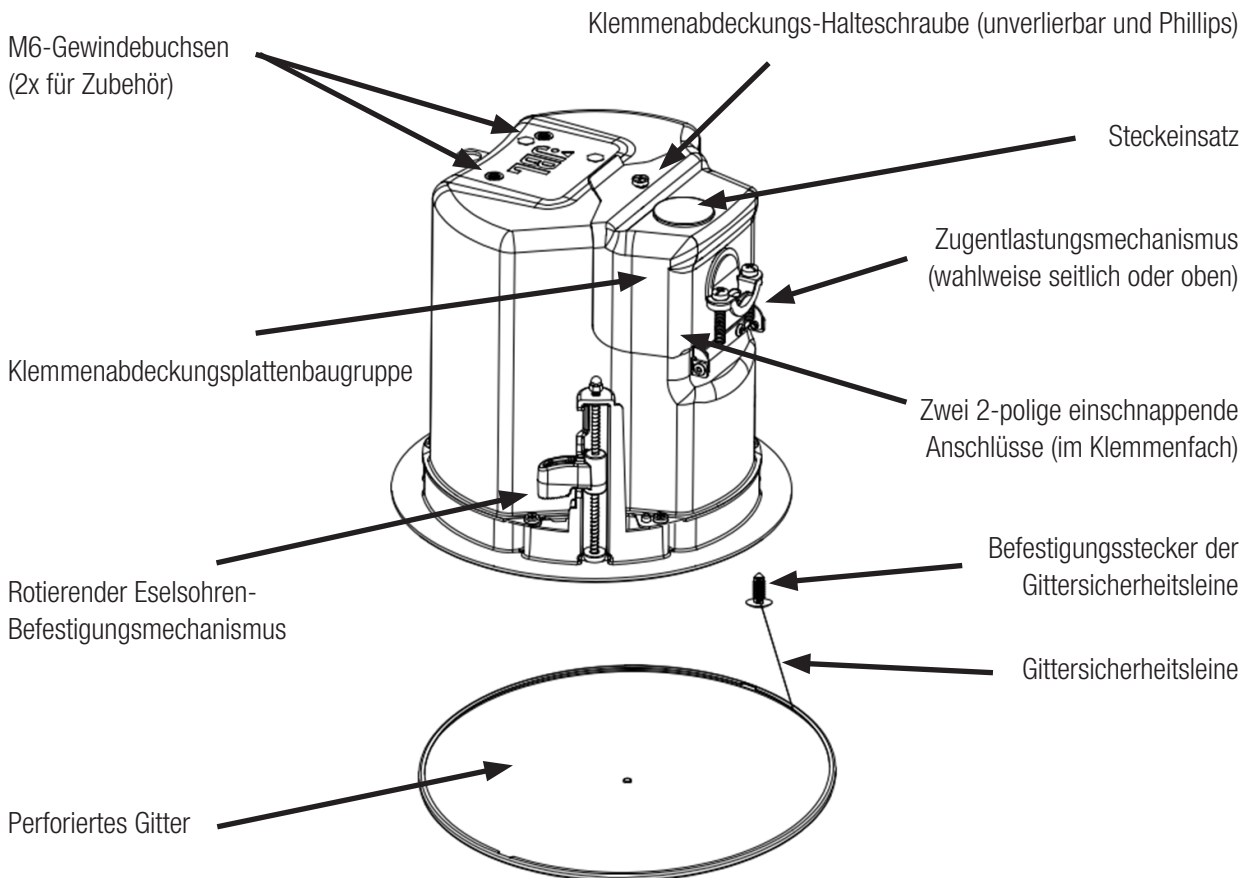
Die Control 414C/T-VA ist eine Version der Control 414C/T, die nicht nur der UL1480A für kommerzielle und professionelle Anwendungen entspricht (was bei allen Lautsprechern dieser Serie der Fall ist), sondern auch der **EN54-24 für Brandmelde- und Feueralarmsysteme**. (SKU# ist JBL-C414C/T-VA)

Die Control 416C/T-VA ist eine Version der Control 416C/T, die nicht nur der UL1480A für kommerzielle und professionelle Anwendungen entspricht (was bei allen Lautsprechern dieser Serie der Fall ist), sondern auch der **EN54-24 für Brandmelde- und Feueralarmsysteme**. (SKU# ist JBL-C416C/T-VA)

3. IDENTIFIZIERUNG VON PRODUKTMERKMALEN



(Abbildung ohne mitgeliefertes Gitter)



4. VORBEREITUNGEN FÜR DIE INSTALLATION

Die gesamte Installation kann, falls erforderlich, ohne Zugang zur Decke durchgeführt werden. Halterungen für abgehängte Decken oder Rigips-Decken sind im Lieferumfang enthalten. Der Lautsprecher wird mit Hilfe von einrastenden „Eselsohren“ sicher in Position gehalten. Die Eingänge und Durchschleifungen zum nächsten Lautsprecher werden an den mitgelieferten Steckverbindern befestigt, die vor der Anbringung des Lautsprechers vorverkabelt werden können, um eine besonders schnelle Installation zu ermöglichen.

OPTIONALE VORINSTALLATIONSHALTERUNGEN

IN DEN MEISTEN FÄLLEN SIND KEINE ANDEREN HALTERUNGEN ALS DIE IM LIEFERUMFANG DES LAUTSPRECHERS ENTHALTENEN ERFORDERLICH.

Alles, was für die meisten Installationen dieser Lautsprecher benötigt wird, ist im Lieferumfang Ihres Control Contractor Deckenlautsprechers enthalten.

Ein bestimmtes Verfahren, das manchmal bei der Installation in Rigipsplatten (in der Regel Gipskartonplatten) angewendet wird, kann jedoch durch die Verwendung der optionalen Vorinstallationshalterungen von JBL **vor der Installation der Rigipsplatten** vereinfacht werden. Die Vorinstallationshalterung bietet eine Halterung, an der die Verkabelung hinter der Rigipsplatte befestigt werden kann. Sie kann als Schablone für den Ausschnitt dienen, wenn viele Ausschnitte bei einer Installation im Fließbandverfahren gemacht werden müssen. Und sie kann einen Platz in der Decke reservieren, bevor die Rigipsplatten installiert werden. JBL Professional bietet zwei Arten von Halterungen für die Vorinstallation als optionales Zubehör an:

1. Die optionale **NC NEW-CONSTRUCTION BRACKET** besteht aus flachem Blech mit Flügeln zur Befestigung an der Baustruktur. Im Abstand von 406 mm (16 Zoll) und 610 mm (24 Zoll) werden Löcher für Nägel oder Schrauben gebohrt. Zusätzliche Löcher können vom Installateur in anderen Abständen bis zu einem Maximum von 630 mm (24¾ Zoll) gebohrt werden. Nach der Montage der Halterung wird die Rigipsplatte angebracht und die Halterung dient als Schablone für den Blindausschnitt des Lochs in der Rigipsplatte. Für diesen Vorgang wird die Rigipsplatte üblicherweise mit einer Oberfräse ausgeschnitten, wobei der Halterungsring als Ausschnittführung dient.

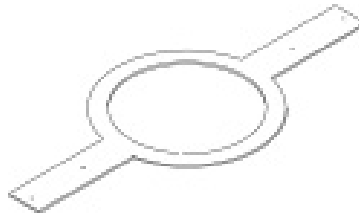


Abbildung 1:
Optionale **NC NEW-CONSTRUCTION BRACKET**
(Halterung für neue Konstruktionen)

2. Die optionale **MR PLASTER-RING BRACKET** (oder „Mud Ring“) enthält einen kreisförmigen Versatz, der eine Kantenführung für das Verputzen von Rigipsplatten bildet. Die Halterung hat Flügel, die an der Baustruktur befestigt werden. Die Rigipsplatte wird in der Regel entweder vorgeschritten oder mit einem Rotationsschneider zugeschnitten, wobei die Außenseite des Gipsringes als Führung dient. Das Loch in der Platte wird dann bis zum Ring verputzt (oder „geschlämmt“), um einen nahtlosen Ausschnitt zu schaffen.

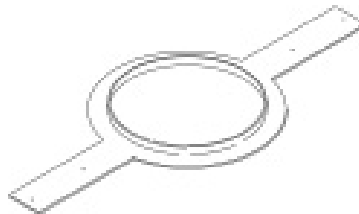


Abbildung 2:
Optionale **MR („Mud Ring“) Plaster Ring Bracket**
(Gipsring-Halterung)

Tabelle 1: Vorinstallierte Halterungen

| Modell | Halterung für neue Konstruktionen | Gipsring-Halterung |
|--|-----------------------------------|--------------------|
| Control 412C/T, Steuerung 414C/T, Control 412C/T-VA, Control 414C/T-VA | JBL-MTC-424NC | JBL-MTC-424MR |
| Control 416C/T, Control 416C/T-VA | JBL-MTC-426NC | JBL-MTC-426MR |
| Control 418C/T | JBL-MTC-447NC | JBL-MTC-447MR |

VERWENDUNG DER BEILIEGENDEN C-HALTERUNG MIT RIGIPSLATTEN

Bei den meisten Installationen bietet die mitgelieferte C-förmige Stützplatte eine ausreichende Verstärkung des Deckenmaterials und verteilt die Klemmkraft des Eselsohrs. Selbst wenn eines der Eselsohren auf der Öffnung zwischen den Enden des C positioniert wird, landen die restlichen darauf, so dass eine ausreichende Unterstützung für Rigipsinstallationen gegeben ist.

DECKENAUSSCHNITTGRÖSSEN

Den Lautsprechern liegen Pappschablonen bei, mit denen Sie die Aussparung an der Decke anzeichnen können.

Tabelle 2: Ausschnittgrößen

| Modell | Ausschnittgröße (Durchmesser) |
|-----------------------------------|-------------------------------|
| Control 412C/T, Control 412C/T-VA | 168 mm (6,6 Zoll) |
| Control 414C/T, Control 414C/T-VA | 168 mm (6,6 Zoll) |
| Control 416C/T, Control 416C/T-VA | 223 mm (8,8 Zoll) |
| Control 418C/T | 282 mm (11,1 Zoll) |

OPTIONALE BG (schwarz) und SG (quadratisch) GITTER

Optional sind runde schwarze und weiße quadratische Gitter erhältlich. Die **JBL-MTC-xxxBG**-Gitter sind runde schwarze Gitter, die anstelle des mitgelieferten weißen Gitters verwendet werden können, wenn Schwarz erforderlich ist. Alternativ kann das serienmäßige weiße Gitter auch lackiert werden (siehe unten). Die **JBL-MTC-xxxSG** sind weiße quadratische Gitter, die anstelle des mitgelieferten Gitters verwendet werden können, wenn ein quadratisches Gitter gewünscht wird. Diese Gitter können in der gewünschten Farbe (auch schwarz) lackiert werden. Diese Gitter decken den Lautsprecher vollständig ab.

| Modell | Schwarze runde Gitter | Quadratische Gitter |
|-----------------------------------|-----------------------|---------------------|
| Control 412C/T, Control 412C/T-VA | JBL-MTC-414BG | JBL-MTC-414SG |
| Control 414C/T, Control 414C/T-VA | JBL-MTC-414BG | JBL-MTC-414SG |
| Control 416C/T, Control 416C/T-VA | JBL-MTC-416BG | JBL-MTC-416SG |
| Control 418C/T | JBL-MTC-418BG | JBL-MTC-418SG |

5. SCHRITT-FÜR-SCHRITT-INSTALLATION UND VERKABELUNG

Das Installationssystem wurde so konzipiert, dass die gesamte Installation von der Unterseite der Decke aus durchgeführt werden kann, wenn ein Zugang von oben nicht möglich oder unpraktisch ist. In manchen Fällen kann es jedoch einfacher sein – z. B. bei abnehmbaren Deckenplatten –, während verschiedener Phasen der Installation sowohl von oberhalb als auch von unterhalb der Deckenplatte zuzugreifen.

Anmerkung: Die Art der Verkabelung muss den folgenden Vorschriften entsprechen:

1. In Kanada: CSA C22.1, Canadian Electrical Code, Teil I, Sicherheitsstandard für elektrische Anlagen, Abschnitt 32
2. In den Vereinigten Staaten: NFPA 70.

Schritt 1 – Schneiden Sie das Loch aus. Bestimmen Sie die Größe des Lochs, indem Sie entweder die beiliegende Pappschablone nachzeichnen oder ein Loch anhand der obigen Tabelle mit den Ausschnittgrößen anreißen. Verwenden Sie zum Ausschneiden des Lochs ein sicheres Werkzeug, wie z. B. eine Stichsäge, und tragen Sie einen geeigneten Augenschutz. Seien Sie präzise und weichen Sie nicht mehr als 1,5 mm (1/16 Zoll) vom Durchmesser des Ausschnitts ab. Ziehen Sie die Kabel durch das ausgeschnittene Loch.

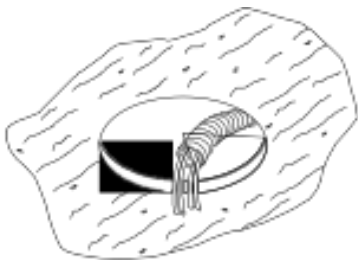


Abbildung 3:

Bohrung des Ausschnitts
(Abbildung: Kabel in flexiblem Kabelkanal)

Schritt 2 – Führen Sie die Befestigungselemente durch die Bohrung. Mit den Lautsprechern werden zwei Arten von Befestigungselementen mitgeliefert – eine C-förmige Halterung für die Montageplatte („C-Ring“) und zwei Plattenschienen.

Abgehängte Decken – Stecken Sie den C-Ring durch das in die Deckenplatte geschnittene Loch (oder setzen Sie ihn von oben in die Decke ein, wenn ein Zugang vorhanden ist). Legen Sie den C-Ring so um das Loch, dass die Führungslaschen wie in Abbildung 4 gezeigt angeordnet sind. Führen Sie die Plattenschienen durch das ausgeschnittene Loch in der Deckenplatte. Rasten Sie die beiden Schienen in die beiden Laschen in der C-Platte ein und richten Sie die Schienen so aus, dass die Enden über das T-Kanal-Gitter an der Seite der Platte hinausragen. Befestigen Sie die Schienen an den C-Ring-Laschen, indem Sie eine Schraube durch jede Lasche in die Schiene einführen. Dies alles kann, falls erforderlich, von unterhalb der Deckenplatte aus erfolgen.

ZUR SICHERHEIT: WICHTIG IST DIE VERWENDUNG VON HALTERUNGEN

ALLE mitgelieferten Halterungen – C-Ring und Fliesenschienen – MÜSSEN bei der Installation in abgehängten Deckenplatten verwendet werden.

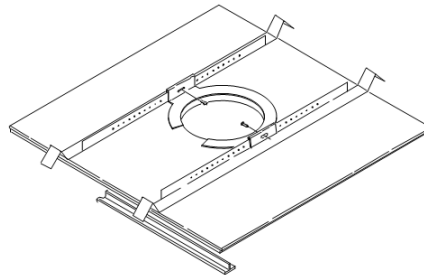


Abbildung 4:

Positionierung von C-Ring und Plattenschiene auf der Deckenplatte

Plattenschienen: Die Plattenschienen sind so konzipiert, dass sie entweder für standardmäßige 24 Zoll breite Platten oder 600 mm breite Platten passen. Die Plattenschienen sind NICHT physisch an den T-Raster-Streben befestigt. Stattdessen sitzt die umgekehrte V-Form an den Enden der Schienen ÜBER der T-Gitterstrebe. Bei normalem Betrieb werden die Schienen von der Kante der Platte getragen. Für den unwahrscheinlichen Fall, dass sich die Platte löst oder auseinanderfällt, sind die Enden der Stützschiene so konstruiert, dass sie in das T-Gitter eingreifen und die Lautsprechergruppe sicher an ihrem Platz halten.

Als optionales Zubehör sind Plattenschienen JBL-MTC-48TRX4 (Packung mit 4 Plattenschienen) für den Einbau in größere 4 Fuß x 4 Fuß (1200 x 1200 mm) Deckenplatten erhältlich.

Verringerung von Vibrationen: Diese Lautsprecher können eine beträchtliche Audioleistung erzeugen, was zu Schwingungen der Deckenmaterialien oder -struktur führen kann. Je nach Beschaffenheit der Deckenplatten und der Bauweise muss der Installateur möglicherweise Neopren oder anderes Dämpfungsmaterial unter die Plattenschienen oder die Kanten der Platten legen, um ein Klappern zu verhindern.

Platzierung des Ausschnitts: Die Plattenschienen sind mit Befestigungslöchern entlang ihrer Länge vorgestanzt. Die Platzierung ist nicht auf die Mitte der Platte beschränkt, wie es bei vielen anderen Plattenschienen-Trägersystemen der Fall ist.

Nicht abgehängte Deckentypen – Bei nicht abgehängten Deckentypen kann der C-Ring optional verwendet werden, um das Deckenmaterial abzustützen und die Klemmkraft der Laschenhalterungen zu verteilen. Führen Sie den C-Ring durch das ausgeschnittene Loch in der Decke und legen Sie ihn auf die Oberseite des Lochs, bevor Sie den Lautsprecher einsetzen.

Schritt 3 – Öffnen Sie die KLEMMENABDECKUNG und richten Sie die ZUGENTLASTUNG ein.

Lösen Sie die unverlierbare KLEMMENABDECKUNGS-Halteschraube an der Oberseite des Gehäuses vollständig. Diese Schraube bleibt in der Klemmenabdeckung unverlierbar (entfernen Sie diese nicht vollständig).

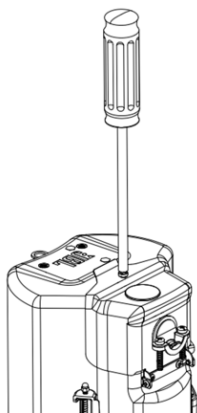


Abbildung 5
Lösen Sie die unverlierbare KLEMMENABDECKUNGS-Schraube

Öffnen Sie die KLEMMENABDECKUNG – Das Scharnier der

KLEMMENABDECKUNG befindet sich an der Seitenwand des Gehäuses. Öffnen Sie die Klemmenabdeckung.

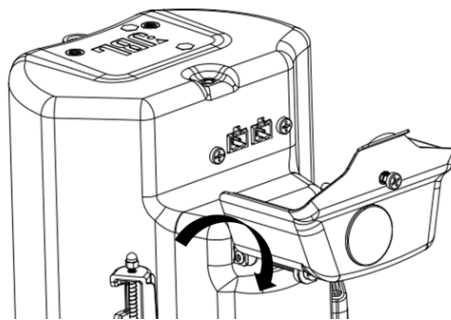


Abbildung 6A: Öffnen der KLEMMENABDECKUNG (Im Bild Control 414C/T)

Das Scharnier für die KLEMMENABDECKUNG befindet sich bei den Control 416C/T, 416C-VA und 418C/T an der Oberseite der Rückwand.

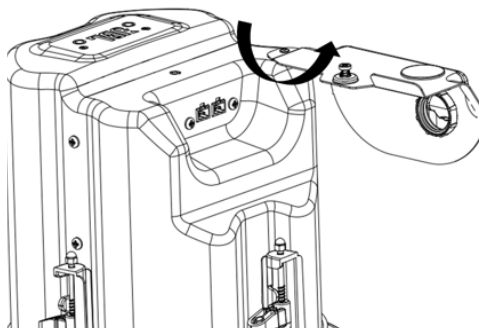


Abbildung 6C: Öffnen der KLEMMENABDECKUNG (Im Bild Control 416C/T)

Position der ZUGENTLASTUNG – Um den Lautsprecher so flach wie möglich zu halten, wird die ZUGENTLASTUNG – d.h. der Kabelausgang – bei Control 412C/T, Control 414C/T, Control 416C/T und Control 418C/T an der Seite der Rückwand installiert.

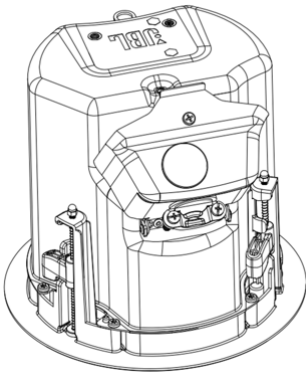


Abbildung 7: Standardmäßige Zugentlastung an der Seite

Wenn der Installateur jedoch möchte, dass sich die ZUGENTLASTUNG an der Oberseite des Gehäuses statt an der Seitenwand befindet, befolgen Sie die folgenden Anweisungen:

OPTIONAL: VERLEGUNG DER ZUGENTLASTUNG AUF DIE OBERE PLATTE

[Optionale Schritte für die Verlegung der Zugentlastung auf die obere Platte]

In der Klemmenabdeckung befinden sich zwei Öffnungen gleichen Durchmessers, eine an der Oberseite und eine an der Seite. Ab Werk ist die obere Öffnung mit einem STECKEINSATZ und die seitliche Öffnung mit der ZUGENTLASTUNG ausgestattet. Um sie zu tauschen, öffnen Sie die Klemmenabdeckung und drücken Sie den STECKEINSATZ heraus (und bewahren ihn für später auf).

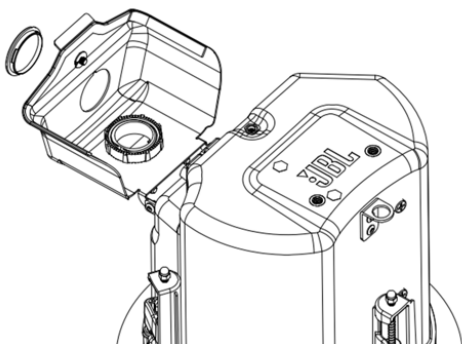


Abbildung 8: Drücken Sie den STECKEINSATZ heraus

[Optionale Schritte für die Verlegung der Zugentlastung auf die obere Platte]

Schrauben Sie von der Innenseite der KLEMMENABDECKUNG die Mutter ab, welche die ZUGENTLASTUNG hält.

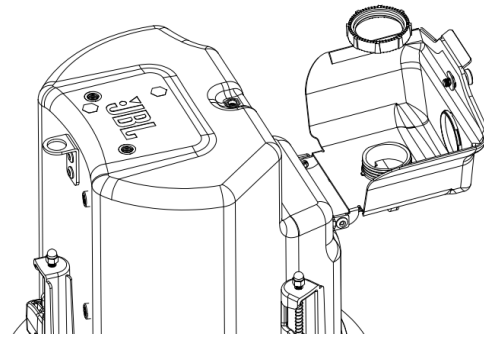


Abbildung 9: Abschrauben der MUTTER

[Optionale Schritte für die Verlegung der Zugentlastung auf die obere Platte]

Stecken Sie die ZUGENTLASTUNG in das obere Loch der KLEMMENABDECKUNG. Ziehen Sie die Mutter an, welche die ZUGENTLASTUNG hält.

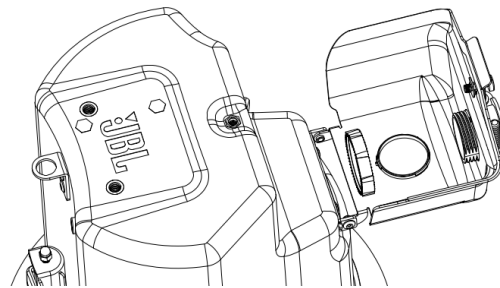


Abbildung 10: Schieben Sie die Zugentlastung nach oben und verriegeln Sie sie

[[Optionale Schritte für die Verlegung der Zugentlastung auf die obere Platte]

Stecken Sie den STECKEREINSATZ in das seitliche Loch der KLEMMENABDECKUNG.

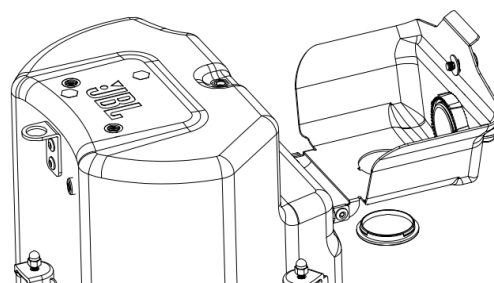


Abbildung 11: Einsetzen des STECKEINSATZES

Beim Control 412C/T-VA, Control 414C/T-VA und Control

416C/T-VA befinden sich zwei Löcher auf der Oberseite der Klemmenabdeckung. Eines ist mit einem STECKEINSATZ

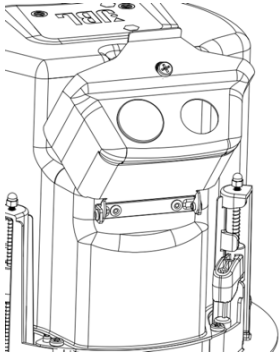


Abbildung 11A: Standardmäßig befinden sich zwei Löcher an der Oberseite.

Setzen Sie die Stopfbuchse in die offene Bohrung ein. Stellen Sie sicher, dass die Stopfbuchse ordnungsgemäß befestigt und festgezogen ist. Falls zwei Stopfbuchsen gewünscht werden, kann eine zweite Stopfbuchse (nicht im Lieferumfang enthalten) in die andere Bohrung eingesetzt werden (nach Entfernen des Steckeinsatzes).

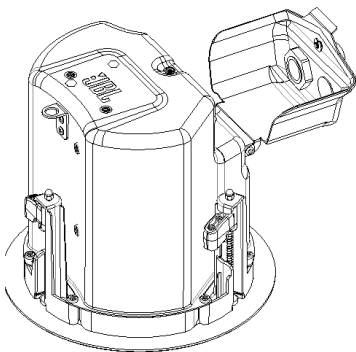


Abbildung 11B: Einbau der Stopfbuchse in das offene Loch

Schritt 4.1 – Anschließen der Kabel an die abnehmbaren verriegelnden Steckverbinder Eines ist mit einem STECKEINSATZ abgedeckt. Für Control 412C/T, Control 414C/T, Control 416C/T und Control 418C/T – Zwei abnehmbare verriegelnde 2-Pin-Steckverbinder sind im Lieferumfang des Lautsprechers enthalten – einer für IN und der andere für LOOP OUT. Verbinden Sie die Kabel mit den abnehmbaren verriegelbaren Steckern, indem Sie die Isolierung etwa 5 mm abisolieren. Führen Sie das blanke Drahtende in den Steckverbinder ein und schrauben Sie die Feststellschraube mit einem kleinen Schlitzschraubendreher fest. Ziehen Sie alle

nicht verwendeten Schrauben fest, um Vibrationen zu vermeiden. Vergewissern Sie sich, dass die Drähte nicht ausgefranst sind und dass kein blanker Draht freiliegt (beides kann zu einem Kurzschluss zwischen den Drähten führen).

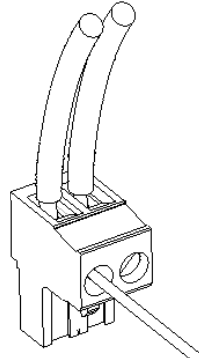


Abbildung 12: Anschließen der Kabel an den abnehmbaren Verriegelungsstecker

Hinweise zu den Anschlussstiften -- Die 2 abnehmbaren, verriegelbaren Eingangsanschlüsse enthalten jeweils 2 Klemmen. Die Funktionen der Stifte sind auf dem Etikett auf der Klemmenabdeckplatte aufgeführt.

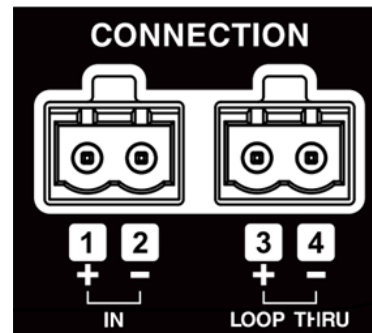


Abbildung 13: Anschluss-Stifte (im Bild Control 418C/T)

Die Stifte 1 und 2 (an einem der 2-poligen Stecker) sind die „+“- und „-“-Eingänge des Lautsprechers. Die Stifte 3 und 4 sind mit den Stiften 1 und 2 im Lautsprecher verbunden (Stift 1 ist mit Stift 3 und Stift 2 mit Stift 4 verbunden). Die Stifte 3 und 4 sind die Durchschleifverbindungen zu nachfolgenden Lautsprechern.

Für den Anschluss nachfolgender Lautsprecher schließen Sie das Adernpaar des nachfolgenden Lautsprechers an die Stifte 3 und 4 (LOOP THRU) an.

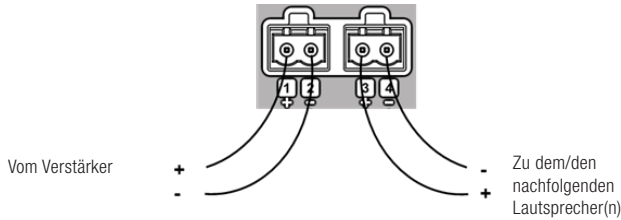


Abbildung 13: Anschluss-Stifte

Schieben Sie den/die bereits verdrahteten 2-poligen Stecker durch die ZUGENTLASTUNG

Schließen Sie das Lautsprecherkabel an die 2-poligen Stecker an.

- Verkabelung der Anschlüsse – Schließen Sie das Lautsprecherkabel an die Anschlüsse an und achten Sie dabei auf die richtige Polarität (+/-) und darauf, dass keine ausgefransten Drähte oder zu viele freiliegende Leiter vorhanden sind, die einen Kurzschluss verursachen könnten.

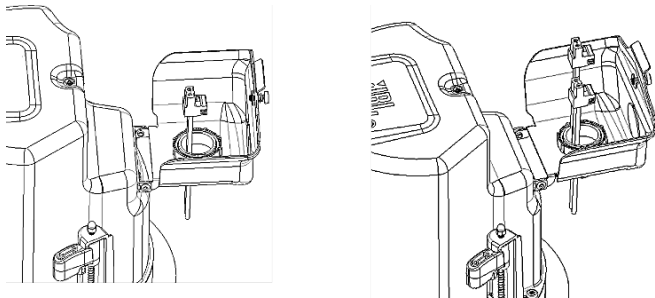


Abbildung 14: Stecker durch die Zugentlastung schieben

- Wenn die Schutzart IP33 erwünscht ist, verwenden Sie Gummimanschetten und befolgen Sie diese Anweisungen:

[Optionale Schritte für den Anschluss der Verkabelung an den/die abnehmbaren Verriegelungsstecker].

Schieben Sie das Kabel durch die Zugentlastung von außen nach innen.

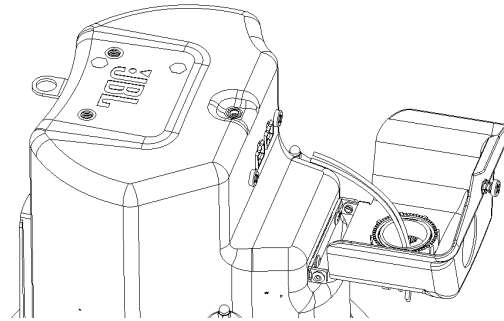


Abbildung 15: Kabel durch die Zugentlastung schieben

[Optionale Schritte für den Anschluss der Verkabelung an den/die abnehmbaren Verriegelungsstecker].

Schieben Sie das Kabel durch die Gummimanschette an der kleinen quadratischen Öffnung und an der anderen Öffnung wieder heraus.

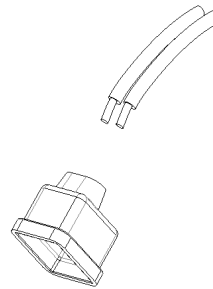


Abbildung 16: Schieben Sie das Kabel durch die Gummimanschette

[Optionale Schritte für den Anschluss der Verkabelung an den/die abnehmbaren Verriegelungsstecker].

Verbinden Sie das Kabel mit dem Stecker.

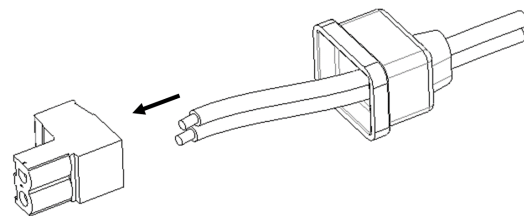


Abbildung 17: Anschluss des Kabels an den Stecker

[Optionale Schritte für den Anschluss der Verkabelung an den/die abnehmbaren Verriegelungsstecker].

Verriegeln Sie den Stecker mit einem Schraubendreher.

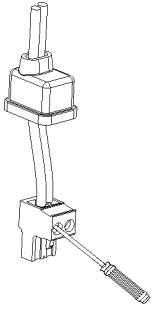


Abbildung 18: Verriegelung des Steckers mit Schraubendreher

[Optionale Schritte für den Anschluss der Verkabelung an den/ die abnehmbaren Verriegelungsstecker]

Schieben Sie die Gummimanschette dicht an den Stecker heran.

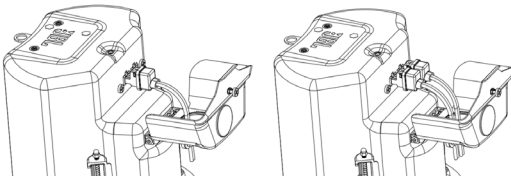


Abbildung 19: Gummimanschette an den Stecker schieben

[Optionale Schritte für den Anschluss der Verkabelung an den/ die abnehmbaren Verriegelungsstecker]

Geben Sie Silikonkleber auf die Öffnung der Gummimanschette, wie gezeigt, um die Verbindung abzudichten.

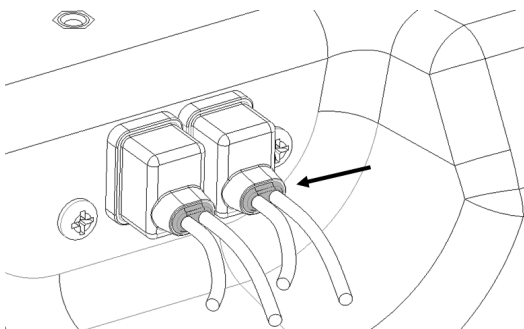


Abbildung 19A: Fügen Sie Silikonkleber hinzu

Schritt 4.2 – Anschließen der Kabel an die abnehmbare(n) Verriegelungsverbindung(en) (für Control 412C/T-VA, Control 414C/T-VA und Control 416C/T-VA) – Am Lautsprecher ist eine Keramik-Klemmleiste angebracht. Isolieren Sie die Drähte etwa 5 mm (ca. 3/16 Zoll) ab, jedoch NICHT weiter. Führen Sie das blanke Drahtende vollständig in den Anschluss ein (es darf kein blanker Draht außerhalb des Anschlusses sein). Verwenden Sie nur die Seite des Anschlusses, an der nicht bereits Drähte angeschlossen sind.

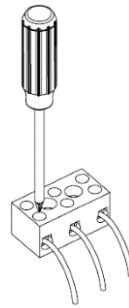


Abbildung 19A: Anschluss der Drähte an die Keramik-Klemmleiste

(Beachten Sie, dass das im Diagramm gezeigte rechte Kabel optional ist. Es muss nur angeschlossen werden, wenn das Chassis des Treibers mit einer Sicherheitserdung verbunden werden muss.)

Fügen Sie einen zweiten Satz von Kabeln parallel zu denselben Klemmen hinzu, wenn ein zweites Kabel für eine Schleife zu einem anderen Lautsprecher verwendet wird. Ziehen Sie die Feststellschraube mit einem kleinen Kreuzschlitzschraubendreher fest. Ziehen Sie alle nicht verwendeten Schrauben fest, um ein Klappern durch Vibrationen zu vermeiden.

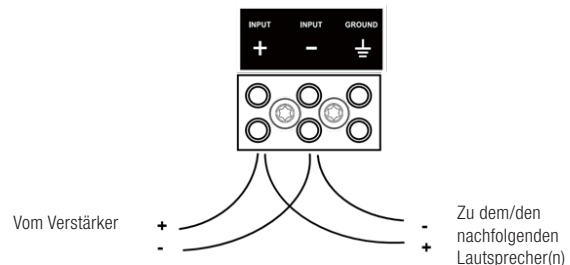


Abbildung 19B: Anschluss von zwei Kabelsätzen an die Keramik-Klemmleiste für die Durchschleifung zu einem nachfolgenden Lautsprecher.

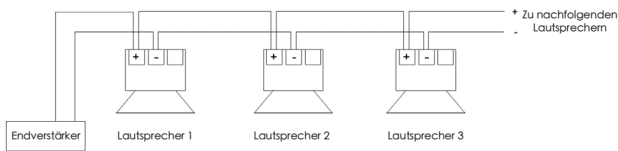


Abbildung 19C: Parallelschaltung von Verbindungen zu mehreren Lautsprechern für verteilte 70-V- oder 100-V-Lautsprechersysteme.

Hinweise zu den Anschlussstiften -- Die Keramik-Klemmleiste enthält 3 Anschlüsse, die auf dem Stecker als + INPUT, - INPUT und GROUND gekennzeichnet sind.

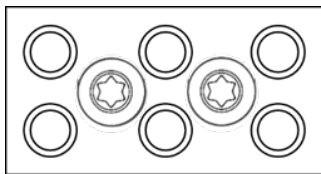


Abbildung 19D: Anschlussklemmen

Schritt 5 – Stecken Sie den/die bereits verdrahteten 2-poligen Stecker in die 2-polige(n) Buchse(n) – Achten Sie auf die richtige Plus- und Minuspolarität und richten Sie die Stecker entsprechend der Beschriftung aus.

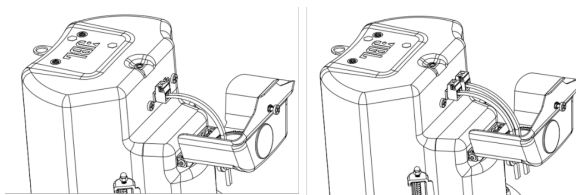


Abbildung 20: Stecken Sie die Anschlüsse so in die Buchsen, wenn keine Gummimanschetten vorhanden sind

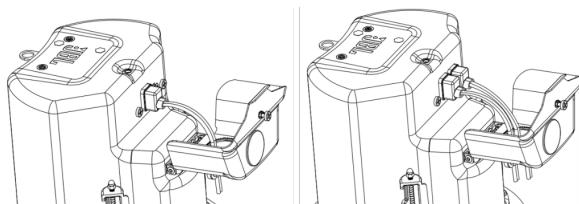


Abbildung 21: Stecken Sie die Anschlüsse in die Buchsen und verschieben Sie die Gummimanschette so, dass die Anschlüsse abgedeckt sind, wenn Gummimanschetten verwendet werden.

Schritt 6 – Schließen und Sichern der Klemmenabdeckung – Schließen Sie die Klemmenabdeckung und sichern Sie sie mit der Schraube, die unverlierbar in der Klemmenabdeckung sitzt.

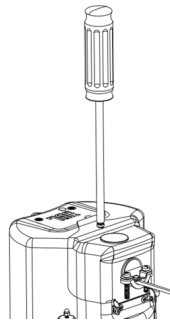


Abbildung 22: Schließen der KLEMMENABDECKUNG und Festziehen der Schraube

Schritt 7 – Ziehen Sie den Arretiermechanismus der ZUGENTLASTUNG mit den 2 mitgelieferten Schrauben **fest**.

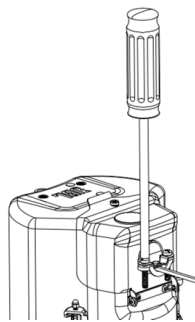


Abbildung 23: Anziehen des Arretiermechanismus der Zugentlastung (Abbildung mit ZUGENTLASTUNG an der Seitenposition und mit nicht ummantelten Drähten)

WICHTIG!



Befolgen Sie stets die für die REGION und die Art der Konstruktion geltenden Bauvorschriften und -bestimmungen.

Schritt 8 – Einsetzen des Lautsprechers in die Decke und Festziehen. Setzen Sie den Lautsprecher bis zum Anschlag in den Deckenausschnitt ein, d.h. bis die Rückseite des vorderen Blendenrings die Decke berührt.

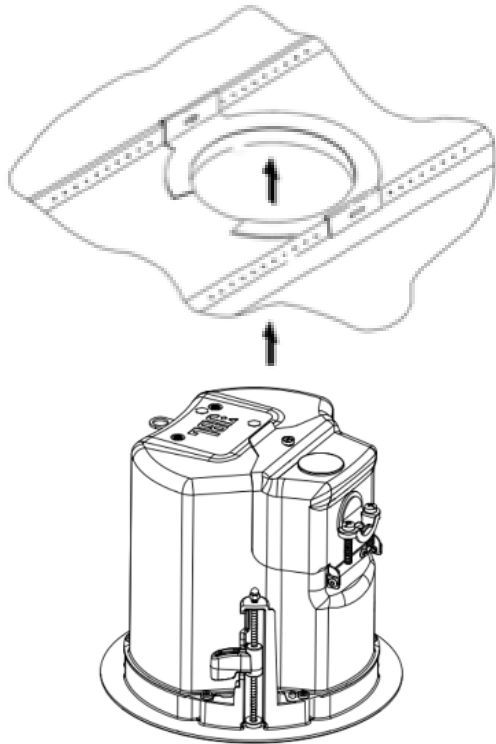


Abbildung 24: Einsetzen des Lautsprechers durch den Deckenausschnitt

Eselsohren festziehen -- WICHTIG -- Bei jeder Befestigungsschraube ZUERST eine halbe Umdrehung gegen den Uhrzeigersinn drehen, um die Befestigungslasche des Eselsohrs aus ihrer Position zu lösen.

Ziehen Sie dann die Befestigungslaschen fest, indem Sie die Schraube im Uhrzeigersinn drehen, bis sie an der Oberseite der Deckenfläche anliegt. Stellen Sie das Drehmoment so ein, dass es den Eigenschaften des Deckenmaterials entspricht – NICHT ZU STARK ANZIEHEN.

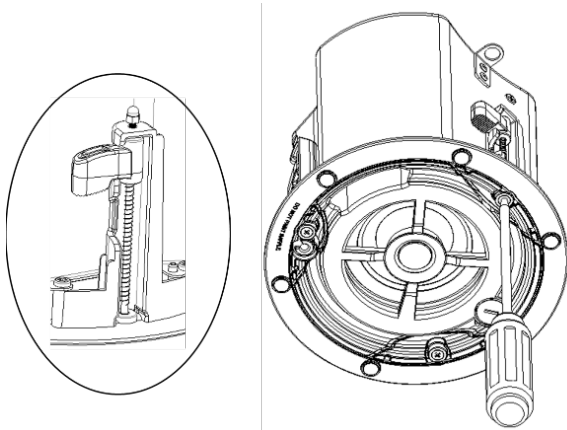


Abbildung 25: Eselsohren-Befestigungslaschen festziehen

Anzahl der Eselsohren nach Modell

| Modell | Anzahl der Eselsohren-Schrauben |
|---|---------------------------------|
| Control 412C/T, Control 412C/T-VA, Control 414C/T, Control 414C/T-VA | 3 Eselsohren |
| Control 418C/T | 4 Eselsohren |

Für die Verwendung in dicken Decken – Standardmäßig befindet sich die Rastnase in der Mitte des Weges und kann für die meisten Deckentiefen so verwendet werden. Bei dicken Decken, bei denen sich die Laschen in der höchsten Position befinden müssen, drehen Sie alle Schrauben GEGEN den Uhrzeigersinn bis zum Anschlag (achten Sie dabei darauf, dass die Lasche nicht in der Mitte gehalten wird), bevor Sie den Lautsprecher durch den Deckenausschnitt einföhren.

Drehen Sie **beim Abnehmen des Lautsprechers** alle Eselsohren-Schrauben im Gegenuhrzeigersinn, bis jede Schraube anhält. Sobald alle Schrauben einen festen Anschlag erreicht haben, werden die Riegel eingeklappt, und der Lautsprecher kann von der Decke abgenommen werden.

Stützen Sie den Lautsprecher beim Lösen der Eselsohrenschauben ab, damit er nicht herunterfallen kann.

Schritt 9 – Verbinden eines sekundären Stützkabels mit dem SEISMISCHEN AUFHÄNGER – An der Seite jedes Lautsprechers befindet sich ein Aufhänger für den Anschluss an einen unabhängigen sekundären Stützpunkt. Einige Bauvorschriften schreiben die Verwendung dieses sekundären Stützpunkts vor, was den Anschluss eines Stützkabels an einen separaten sicheren Stützpunkt an der Gebäudestruktur erfordert. Informieren Sie sich über die Bauvorschriften in Ihrer Region.

WICHTIG!



Die Deckenlautsprecher von Control Contractor können erhebliche Vibrationen erzeugen. Ein sekundäres Stützkabel am seismischen Aufhänger sollte als sekundärer Stützpunkt verwendet werden für den Fall dass die Deckenplatte oder Stützstruktur bricht.

Schritt 10 – Anschlusswahlschalter einstellen – Der Anschlusswahlschalter befindet sich an der unteren Gehäusewand. Stellen Sie den Anschluss ein, bevor Sie das Gitter anbringen und das Signal an den Lautsprecher anlegen. Bei einigen Installationen ist es ratsam, die Gitter zunächst WEG zu lassen, um die endgültige Einstellung der Abgriffe für das System zu ermöglichen.

„NC“ = Keine Verbindung. (Verwenden Sie diese Einstellung nicht bei einem verteilten 100-V-System)

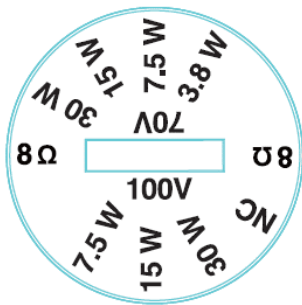


Abbildung 26: Anschlusswahlschalter (Im Bild Control 416C/T)

Schritt 11 – Einsetzen des Befestigungssteckers für die Sicherheitsleine und Anbringen des Gitters – Das Gitter wird mit einer daran befestigten Sicherheitsleine geliefert. Stecken Sie den Befestigungsstecker am offenen Ende der Leine (die bereits am Gitter befestigt ist) in die Buchse an der Blende. Vergewissern Sie sich, dass der Stecker vollständig in die Buchse eingesteckt ist und nicht herausragt, und so das Gitter nicht mehr richtig befestigt werden kann.

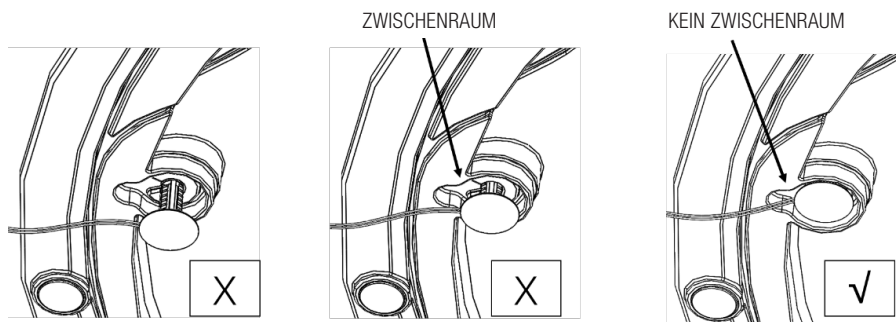


Abbildung 27: Stellen Sie sicher, dass der Stecker vollständig eingesteckt ist

Bringen Sie dann das Gitter vor dem Lautsprecher an. Achten Sie dabei darauf, dass die Sicherheitsleine nicht direkt vor einem der Treiber verläuft (sonst könnte sie bei Vibrationen summen). Vergewissern Sie sich, dass das Gitter sicher magnetisch gehalten wird, damit es sich nicht durch Vibrationen löst oder herunterfällt.

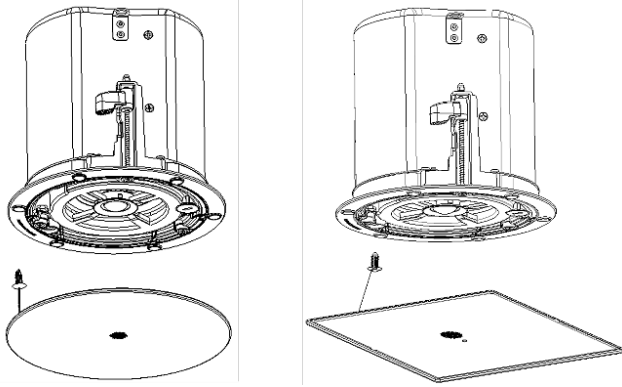


Abbildung 28: Anbringen des Gitters

6. LACKIEREN DES GITTERS

WICHTIG!



Für Control 412C/T-VA, Control 414C/T-VA und Control 416C/T-VA (Life Safety-Modelle) – Um die Entflammbarkeitsstufe zu erhalten, darf das Gitter **NICHT** gestrichen oder die werkseitig aufgetragene Lackierung verändert werden.

Bei den anderen Modellen der Control Contractor Standard Coverage Serie passt die weiße Oberfläche des Gitters zu den meisten Einrichtungen und muss nicht weiter bearbeitet werden. Wenn die Inneneinrichtung es erfordert, lassen sich diese Abdeckungen leicht lackieren. Das Gitter deckt den gesamten Lautsprecher ab, so dass es vor der Installation des Lautsprechers lackiert werden kann.

WICHTIG!



Streichen Sie die Blende des Lautsprechers NICHT an. Farbe zwischen dem Magneten und dem Gitter würde die Fähigkeit der Magnete, das Gitter zu halten, beeinträchtigen.

Es wird empfohlen, wie folgt vorzugehen, um optimale Ergebnisse zu erzielen:

- Ziehen Sie das Trägermaterial des Gitters vorsichtig von der Rückseite des Gitters ab, ohne es zu zerreißen. Legen Sie es zur Seite, um es nach der Lackierung wieder anzubringen. Kleben Sie das Gitter-Logo entweder ab oder entfernen Sie es (zur Wiederanbringung nach der Lackierung). Entfernen Sie **NICHT** die Kantenverkleidung.
- Reinigen Sie den Kühlergrill und die Kantenverkleidung mit einem leichten Lösungsmittel, z. B. Spiritus, indem Sie die Teile mit einem leicht angefeuchteten Tuch abreiben. Verwenden Sie jedoch keine Scheuermittel wie Sandpapier oder Stahlwolle (diese können die Rostschutzbeschichtung des Gitters entfernen). Verwenden Sie kein Benzin, Kerosin, Aceton, MEK, Farbverdünner, scharfe Reinigungsmittel oder andere Chemikalien. Die Verwendung dieser Reinigungsmittel kann zu einer dauerhaften Beschädigung des Gitters führen. Schleifen Sie das Gitter nicht an.

- Sprühen Sie eine oder mehrere dünne Farbschichten auf. Achten Sie darauf, die Perforationslöcher nicht auszufüllen (sie werden benötigt, damit der Schall durchdringen kann – wenn Sie sie verschließen, wird die Klangqualität des Lautsprechers beeinträchtigt).
- Nachdem die Farbe gut getrocknet ist, bringen Sie das Trägermaterial des Gitters wieder auf der Rückseite des Gitters an. Wenn die Gitterrückseite seit der Entfernung geschrumpft ist, dehnen Sie sie wieder auf die richtige Größe, um sie richtig einzupassen. Wenn sich die Gitterrückseite seit der Entfernung gedehnt hat, schneiden Sie sie auf die richtige Größe zu.
- Wenn die Klebrigkeit auf der Rückseite des Gitters nicht ausreicht, um das Trägermaterial sicher zu fixieren (oder wenn es von der Farbe überdeckt wurde), tragen Sie eine sehr dünne Schicht Sprühkleber auf die Rückseite des Gitters auf.
- Sprühen Sie den Klebstoff dünn auf die Rückseite des GITTERS und nicht auf die Vorderseite des Trägermaterials. Wenn bei einer Klebeanweisung steht, dass beide Seiten besprüht werden sollen, verwenden Sie einen anderen Klebstoff. Wenn Sie den Klebstoff auf die Vorderseite des Trägermaterials sprühen, kann der Klebstoff durch die Perforationen der Luft ausgesetzt sein, wodurch Staub angezogen und festgehalten werden kann, was das saubere Aussehen des Lautsprechers beeinträchtigt.
- Legen Sie die Vorderseite des Gitters NICHT auf eine Oberfläche, auf die möglicherweise zusätzlicher Klebstoff gesprüht wurde. Andernfalls kann sich Klebstoff auf der Vorderseite des Gitters ablagern und Staub und Schmutz anziehen.
- Wenn das JBL-Logo entfernt (und nicht einfach abgeklebt) wurde, bringen Sie das JBL-Logo erneut in der Mitte des Gitters an. In der Mitte des Gitters befindet sich eine flache Vertiefung, die anzeigt, wo das Logo hingehört.

Abdecken des Lautsprechers, wenn die Decke gestrichen wird – Der Lautsprecher selbst sollte nicht gestrichen werden. Das Gitter deckt den Lautsprecher vollständig ab, und die vordere Blende des Lautsprechers ist schwarz, so dass sie optisch hinter dem Gitter und dem Gitterrückseitenmaterial verschwindet. Wenn die Decke gestrichen wird, nachdem der Lautsprecher installiert ist, ist es wichtig, den Lautsprecher (einschließlich der Kanten der Blende) vor dem Streichen vollständig abzukleben, damit keine Farbe auf die Treiber oder die Blende gelangt, was Farbunterschiede durch das Gitter sichtbar machen könnte.

7. WARTUNG

Wenn das Gerät gemäß den in diesem Handbuch beschriebenen Installations- und Verkabelungsrichtlinien installiert wird, ist keine Wartung erforderlich.

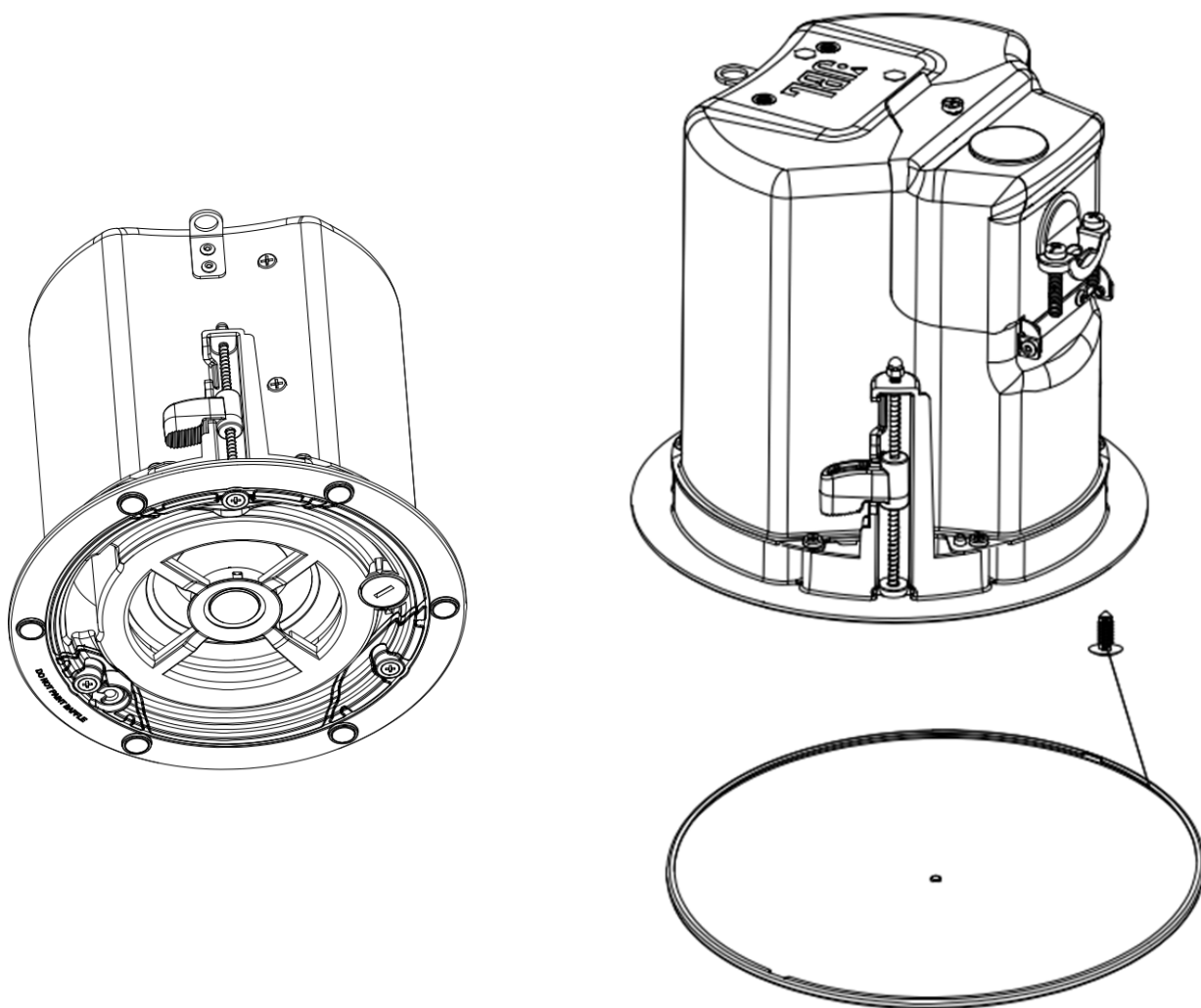
8. ERSATZTEILE



Im Inneren dieser Lautsprecher befinden sich keine vom Benutzer zu wartenden Teile. Überlassen Sie die Wartung einem autorisierten JBL-Kundendienstzentrum. Um den Namen eines autorisierten Service-Centers in Ihrer Nähe zu erfahren, wenden Sie sich bitte an JBL Professional unter den entsprechenden auf [Seite 56](#) aufgeführten Adressen.

JBL Control 400 标准覆盖系列天花板扬声器

Control 412C/T、Control 414C/T、Control 416C/T、Control 418C/T、
Control 412C/T-VA、Control 414C/T-VA、Control 416C/T-VA



用户手册



1. 重要安全说明

注意以下符号：



使用前请阅读手册。



闪电箭头的等边三角形内符号用于提醒用户：产品外壳内存在未绝缘的“危险电压”，其强度可能构成人体触电风险。



带感叹号的等边三角形用于提醒用户：产品随附文件中包含重要的操作和维护（维修）说明。



高声压级。存在听力损伤风险。

警告：仅允许受过指导或具备专业技能的人员使用Harman批准的安裝硬件和安仝措施进行安仝。

1. 阅读、保存并遵循所有说明。注意所有警告。
2. 按指示安仝和操作，以避免造成安仝隐患。
3. 本产品不适用于高湿度或长期/强烈阳光（紫外线）环境。若预计会暴露于此类环境，应适当遮盖产品或将其移出该环境。
4. 仅使用干布清洁。
5. 在进行任何连接或断开操作前，确保所有设备处于**关闭**状态。
6. 在通电或投入使用前，确保扬声器网罩固定到位。
7. 所有维修工作应交由合格的维修人员处理。如果设备以任何方式受损，如外壳内有液体或异物侵入、暴露于雨水或潮湿环境、运行异常或跌落，则需要进仝维修。
8. **请勿**靠近任何热源或火源安仝。
9. 仅使用制造商指定的附件/配件。
10. 防护等级取决于附加硬件，操作产品前请彻底阅读相关安仝说明。

废弃电子电气设备(WEEE)声明：



本产品不得与普通生活垃圾一同丢弃或倾倒。您有责任将所有废弃电子电气设备移交至指定的有害废物回收点。单独收集并在废弃时妥善回收电子电气设备，将有助于我们保护自然资源。此外，妥善回收电子电气设备将确保人类健康和环境安全。有关电子电气设备处置、回收和收集点的更多信息，请联系当地市政中心、生活垃圾处理服务部门、购买设备的商店或设备制造商。

电子电气产品有害物质标识：

| 产品中有毒物质的名称及含量 | | | | | | |
|---------------|--------|--------|--------|--------------|------------|--------------|
| 部件名称 | 有毒物质 | | | | | |
| | 铅 (Pb) | 汞 (Hg) | 镉 (Cd) | 六价铬 (Cr(VI)) | 多溴联苯 (PBB) | 多溴二苯醚 (PBDE) |
| 电路板组件 | ○ | ○ | ○ | ○ | ○ | ○ |
| 喇叭 | ○ | ○ | ○ | ○ | ○ | ○ |
| 端子 | ○ | ○ | ○ | ○ | ○ | ○ |
| 外壳 | ○ | ○ | ○ | ○ | ○ | ○ |
| 金属配件 | ○ | ○ | ○ | ○ | ○ | ○ |

本表格依据SJ/T 11364的规定编制。
○：表示该有毒物质在该部件所有均质材料中的含量均在GB/T 26572规定的含量要求以下。
X：表示该有毒物质至少在该部件的某一均质材料中的含量超出GB/T 26572规定的限量要求。

2. 产品描述

感谢您购买 JBL Control 400 标准覆盖系列吸顶扬声器。

在使用本产品之前，请通读本手册以熟悉其特性、应用和注意事项。

JBL Control 400 标准覆盖系列吸顶扬声器采用创新设计和材料，提供紧凑型吸顶扬声器的卓越性能。

Control 412C/T是一款全频小巧型吸顶扬声器，配备3英寸宽频驱动器。该扬声器可设置为低阻抗（ 8Ω ）工作模式，或由70V或100V分布式扬声器线路驱动。（SKU编号为JBL-C412C/T）

Control 414C/T是一款两路同轴全频吸顶扬声器，配备4英寸低音单元和3/4英寸高音单元。该扬声器可设置为低阻抗（ 8Ω ）工作模式，或由70V或100V分布式扬声器线路驱动。（SKU编号为JBL-C414C/T）

Control 416C/T是一款两路同轴全频吸顶扬声器，配备6.5英寸低音单元和3/4英寸高音单元。该扬声器可设置为低阻抗（ 8Ω ）工作模式，或由70V或100V分布式扬声器线路驱动。（SKU编号为JBL-C416C/T）

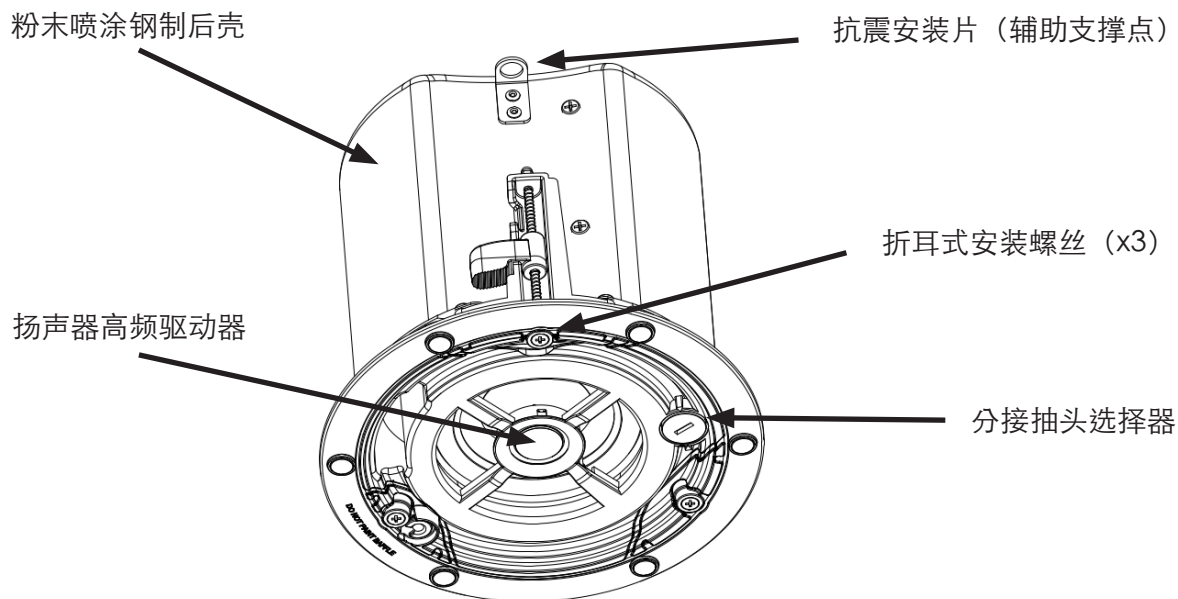
Control 418C/T是一款两路同轴全频吸顶扬声器，配备8英寸低音单元和1英寸高音单元。该扬声器可设置为低阻抗（ 8Ω ）工作模式，或由70V或100V分布式扬声器线路驱动。（SKU编号为JBL-C418C/T）

Control 412C/T-VA是Control 412C/T的生命安全版本，除了符合UL1480A商用和专业用扬声器标准（本系列所有扬声器均符合）外，还符合**EN54-24火灾探测和火灾报警系统**标准。（SKU编号为JBL-C412C/T-VA）

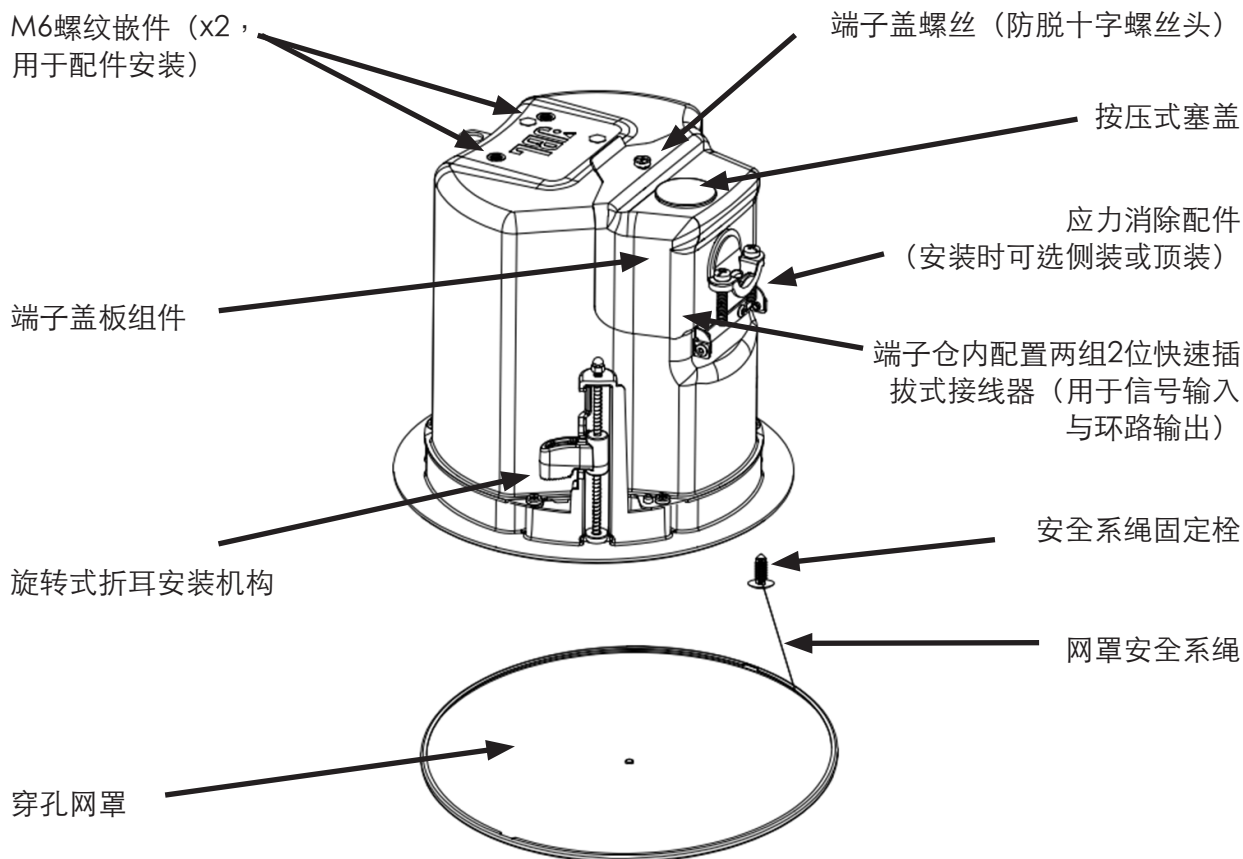
Control 414C/T-VA是Control 414C/T的生命安全版本，除了符合UL1480A商用和专业用扬声器标准（本系列所有扬声器均符合）外，还符合**EN54-24火灾探测和火灾报警系统**标准。（SKU编号为JBL-C414C/T-VA）

Control 416C/T-VA是Control 416C/T的生命安全版本，除了符合UL1480A商用和专业用扬声器标准（本系列所有扬声器均符合）外，还符合**EN54-24火灾探测和火灾报警系统**标准。（SKU编号为JBL-C416C/T-VA）

3. 产品特征标识



（展示图为移除标配网罩后的效果）



4. 安装准备

如有必要，整个安装过程可在无需拆卸天花板顶部结构的情况下完成。随附适用于吊顶或石膏板天花板的支架。扬声器通过锁定到位的折耳安装片牢固固定。输入线路和通往下一个扬声器的环路输出线路连接到卡入式接头（随附），可在安装扬声器前预先布线，实现快速卡扣安装。

可选预安装支架

在大多数情况下，除扬声器随附的支架外，无需其他支架。

大多数安装这些扬声器所需的物品都随Control Contractor吸顶扬声器提供。

然而，对于石膏板的安装，有时会使用特定的程序，可以借助JBL的可选预安装支架**在石膏板安装之前**来简化这一流程。预安装支架提供了一个支架，可以在石膏板后面固定布线。当需要在生产线式安装中制作许多切口时，它可以作为切口模板。它还可以在石膏板安装之前预留天花板中的位置。JBL Professional提供两种类型的预安装支架作为可选配件：

可选的**NC新建支架**由平板金属制成，带有连接到建筑结构的翼片。在中心距16英寸（406毫米）和24英寸（610毫米）处钻孔用于钉子或螺钉。安装人员可以在最大24-3/4英寸（630毫米）间距的其他位置钻孔。石膏板在支架安装后安装，支架为石膏板中的盲切孔提供模板。对于此过程，通常使用路由型切割工具切割石膏板，使用支架环作为切口引导。

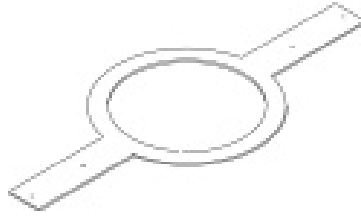


图1：
可选**NC**新建支架

可选的**MR石膏环支架**（或“腻子环”）包含一个圆形偏移口，形成石膏板抹腻子的边缘引导。支架有连接到建筑结构的翼片。石膏板通常是预切割的，或使用旋转切割工具以石膏环圆圈的外部作为引导进行切割。然后石膏板孔即可抹腻子到这个环的位置，以创建无缝切口。

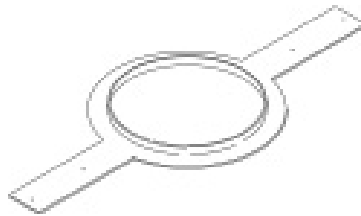


图2：
可选**MR**（“腻子环”）石膏环支架

表1: 预安装支架

| 型号 | 新建支架 | 石膏环支架 |
|---|---------------|---------------|
| Control 412C/T、Control 414C/T、Control 412C/T-VA、Control 414C/T-VA | JBL-MTC-424NC | JBL-MTC-424MR |
| Control 416C/T、Control 416C/T-VA | JBL-MTC-426NC | JBL-MTC-426MR |
| Control 418C/T | JBL-MTC-447NC | JBL-MTC-447MR |

使用随附的C形支架与石膏板

对于大多数安装，随附的C形背板为天花板材料提供了足够的加固，分散了折耳夹紧力。即使有一个折耳落在C形开口的两端之间，其余的折耳仍然会落在支架上，因此足以支撑石膏板安装。

天花板切口尺寸

随扬声器包装提供纸板切口模板，用于在天花板表面标记切口孔。

表2: 切口尺寸

| 型号 | 切口尺寸 (直径) |
|-----------------------------------|------------------|
| Control 412C/T, Control 412C/T-VA | 168 mm (6.6 in) |
| Control 414C/T, Control 414C/T-VA | 168 mm (6.6 in) |
| Control 416C/T, Control 416C/T-VA | 223 mm (8.8 in) |
| Control 418C/T | 282 mm (11.1 in) |

可选BG (黑色) 和SG (方形) 网罩

可选圆形黑色和白色方形网罩。**JBL-MTC-xxxBG**网罩是圆形黑色网罩，当需要黑色时，可以代替随附的标准白色网罩使用。也可以对标准白色网罩进行喷涂（见下文）。**JBL-MTC-xxxSG**是白色方形网罩，当需要方形网罩时，可以代替随附的标准网罩使用。这些网罩可以喷涂成所需颜色（包括黑色）。这些网罩完全覆盖扬声器组件。

| 型号 | 黑色圆形网罩 | 方形网罩 |
|----------------------------------|---------------|---------------|
| Control 412C/T、Control 412C/T-VA | JBL-MTC-414BG | JBL-MTC-414SG |
| Control 414C/T、Control 414C/T-VA | JBL-MTC-414BG | JBL-MTC-414SG |
| Control 416C/T、Control 416C/T-VA | JBL-MTC-416BG | JBL-MTC-416SG |
| Control 418C/T | JBL-MTC-418BG | JBL-MTC-418SG |

5. 分步安装与接线

安装系统设计为整个安装过程可以从天花板下方完成，适用于无法或不方便接触天花板顶部的情况。然而，在某些情况下（例如可移动天花吊顶板）在安装的不同阶段可从吊顶板的顶部和底部同时作业，更为方便。

注意：接线方法应符合：

1. 加拿大：**CSA C22.1**，加拿大电气规范，第一部分，电气安装安全标准，第32节
2. 美国：**NFPA 70**。

第1步 - 开孔。通过描摹随附的纸板切口模板或使用上述切口尺寸图表标记孔，切割出音箱孔大小。使用安全工具（如曲线锯）来切割孔，并佩戴适当的眼部保护装置。要精确，切口直径偏差不得超过1/16英寸（1.5毫米）。将电线穿过切口孔。

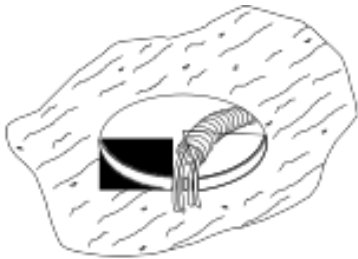


图3：
切口孔
（图示：电线置于柔性导管中）

第2步 - 将支撑硬件插入孔中。扬声器包装内提供两种类型的支撑硬件 - 一个C形背板（“C形环”）支架和两个吊顶板轨道。

吊顶 -将C形环穿过吊顶板中的切口孔（如果已拆卸吊顶板，可从吊顶板上方放置）。将C形环围绕孔放置，舌片位置如图4所示。将两个吊顶板轨道穿过吊顶板中的切口孔。将两个轨道卡入C形板的两个舌片中，并调整轨道使其末端延伸至吊顶板侧面的T型通道网格上方。通过将螺钉穿过每个舌片拧入轨道，将轨道固定在C形环舌片上。如有必要，上述步骤均可以从吊顶板下方完成。

安全事项：使用支架的重要提示

安装到吊顶板时，必须使用所有随附的支撑支架 - 包括C形环和吊顶板轨道。

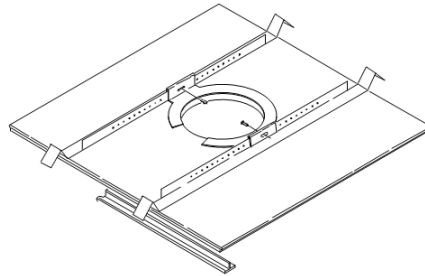


图4：
C形支架和吊顶板轨道在吊顶板上的位置

吊顶板轨道：吊顶板轨道设计用于适配标准24英寸宽吊顶板或600毫米宽吊顶板。吊顶板轨道件不物理连接到T型网格支柱。相反，轨道末端的倒V形位于T型网格支柱上方。在正常操作期间，轨道由吊顶板边缘支撑。在吊顶板脱落或破裂这种极端罕见情况下，支撑轨道的末端设计用于卡住T型网格，提供牢固的支撑以固定扬声器组件。

可选配件吊顶板轨道**MTC-48TRX4**（4个吊顶板轨道包装）也可用于安装到更大的4' x 4'（1200 x 1200毫米）吊顶板中。

减振：本扬声器可以产生大量音频输出，可能导致天花板材料或结构发出嗡嗡声。根据吊顶板和结构的特性，安装人员可能需要在吊顶板轨道或吊顶板边缘下放置氯丁橡胶或其他阻尼材料以消除嘎嘎声。

切口位置：吊顶板轨道预冲有沿其长度的安装孔。位置不限制在吊顶板中心，这与许多其他吊顶板轨道支撑系统的情况不同。

非吊顶类型 -对于非吊顶类型，可以单独使用C形环来加固天花板材料并分散舌片夹紧力。将C形环穿过天花板中的切口孔，并在插入扬声器之前将其放置在孔的顶部。

第3步 - 将接头插入扬声器端子杯中的接头插座。

完全松开位于后盖顶部面板上的端子盖固定螺钉。
此螺钉保留在端子盖中（不要完全移除）。

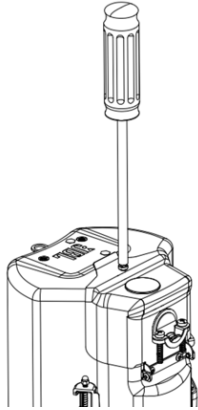


图5:
完全松开端子盖固定螺钉

打开端子盖 - 对于Control 412C/T、Control 412C/T-VA、Control 414C/T和Control 414C/T-VA，端子盖铰链位于后盖的侧面板上。

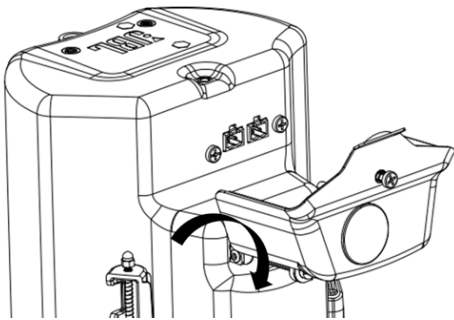


图6A: 打开端子盖
(图示为Control 414C/T)

对于Control 416C/T、Control 416C/T-VA和Control 418C/T，端子盖铰链位于后盖的顶部面板上。

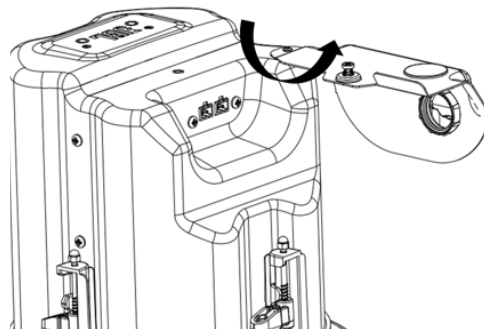


图6C: 打开端子盖
(图示为Control 416C/T)

应力消除位置 - 为使扬声器尽可能不凸出，对于Control 412C/T、Control 414C/T、Control 416C/T和Control 418C/T，默认应力消除位置（即电线出口）安装在后盖的侧面。

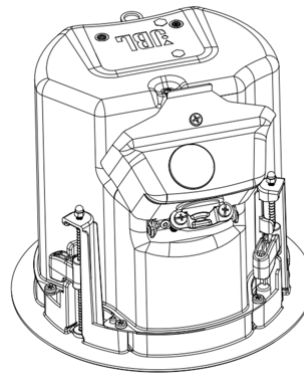


图7: 默认情况下应力消除位于侧面

然而，如果安装人员希望应力消除组件位于后盖的顶部面板而非侧面板，也可按照以下说明操作：

备选操作：将应力消除组件移至顶部面板（适用于非VA型号）

[将应力消除组件移至顶部面板的可选步骤]

端子盖上有两个相同直径的孔，一个在顶部面板，一个在侧面板。出厂时，顶部孔装有压入式塞子，侧孔装有应力消除组件。要将两者交换，打开端子盖并推出压入式塞子（保留以备后用）。

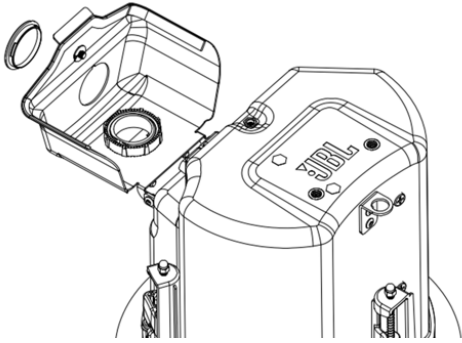


图8: 推出压入式塞子

[将应力消除组件移至顶部面板的可选步骤]

从端子盖内部，拧下固定应力消除的螺母。

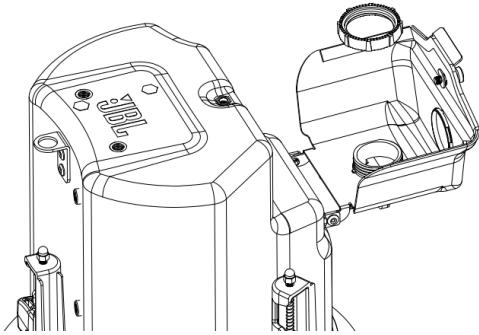


图9: 拧下螺母

[将应力消除组件移至顶部面板的可选步骤]

将应力消除组件插入端子盖的顶部孔中。拧紧固定应力消除组件的螺母。

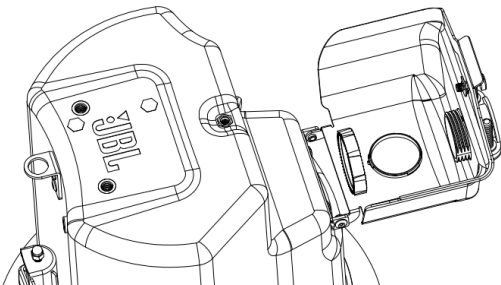


图10: 将应力消除组件移至顶部并锁定

[将应力消除组件移至顶部面板的可选步骤]

将压入式塞子插入端子盖的侧孔中。

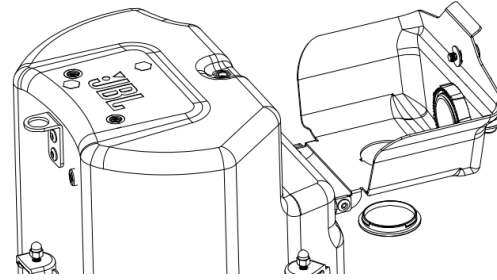


图11: 插入压入式塞子

对于Control 412C/T-VA、Control 414C/T-VA和Control 416C/T-VA，端子盖顶部面板上有两个孔。一个孔被压入式塞子覆盖。

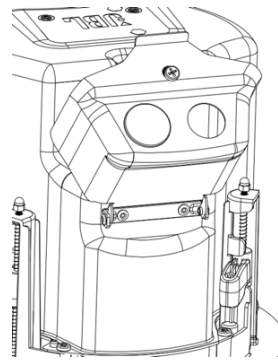


图11A: 默认情况下顶部有两个孔。

在开放孔中安装压紧螺母。确保压紧螺母正确固定并拧紧。如果需要两个压紧螺母，可以在另一个孔（移除压入式塞子后）安装第二个压紧螺母（不随附）。

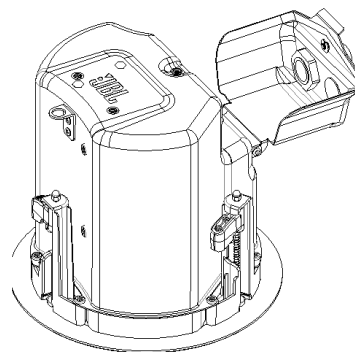


图11B: 在开放孔中安装压紧螺母

步骤4.1 - 将电线连接到可拆卸锁定接头（适用于Control 412C/T、Control 414C/T、Control 416C/T和Control 418C/T）- 扬声器随附两个2针可拆卸锁定接头 - 一个用于输入，另一个用于环路输出。将电线连接到可拆卸锁定接头，剥离绝缘层约5毫米（约3/16英寸）- 剥离电线过长可能导致短路，剥离过短可能导致连接不良。将电线的裸露端插入接头，并用小型一字螺丝刀拧紧紧固螺钉直至牢固。拧紧任何未使用的螺钉以避免振动。再次检查电线是否磨损，以及裸露电线是否暴露（任何一项都可能导致电线之间短路）。

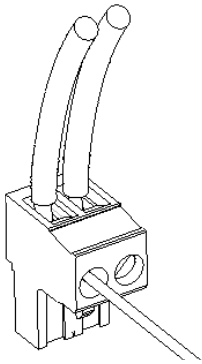


图12:
将电线连接到可拆卸锁定接头
(显示为单独的无护套电线，带有2根输入电线)

连接引脚指南 -- 两个可拆卸锁定输入接头各包含2个端子。引脚功能列在端子盖板上的标签上。

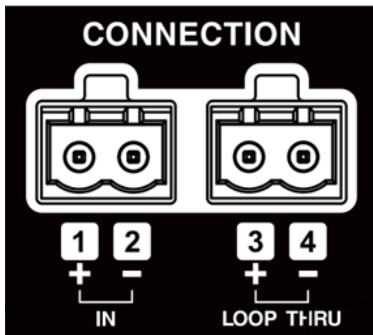
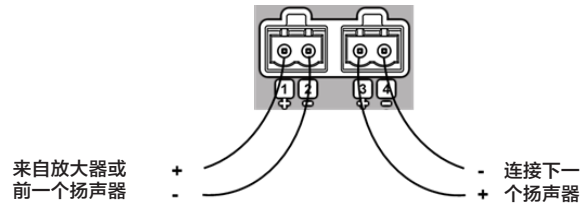


图13: 接头引脚 (图示为Control 418C/T)

引脚1和2 (在其中一个2针接头上) 是扬声器的“+”和“-”输入。引脚3和4分别连接到扬声器内部的引脚1和2 (引脚1连接到引脚3, 引脚2连接到引脚4)。引脚3和4是到后续扬声器的环路连接。

连接后续扬声器时, 将后续扬声器的电线对连接到

引脚3和4 (环路输出)。



将已接线的2针接头穿过应力消除组件

将扬声器电线连接到2针接头

接线接头 - 将扬声器电线连接到接头, 注意正确的+/-极性, 并确保没有电线磨损或导体过多裸露, 否则可能导致短路。

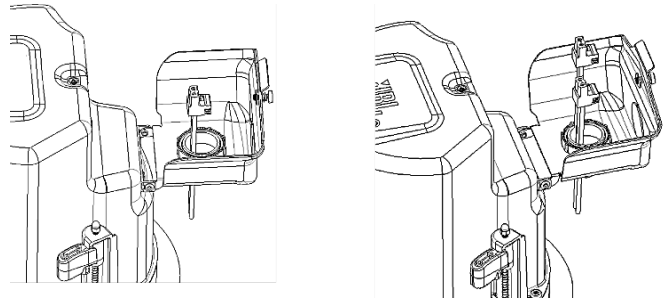


图14: 将接头穿过应力消除组件

如果需要IP33等级, 则使用橡胶护套并按照以下说明操作:

[将电线连接到可拆卸锁定接头的可选步骤]

将电线从外部穿过应力消除组件进入内部。

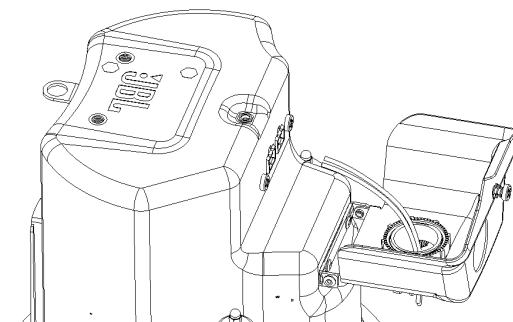


图15: 将电线穿过应力消除组件

[将电线连接到可拆卸锁定接头的可选步骤]

将电线从小方形开口穿过橡胶护套并从另一个开口穿出。

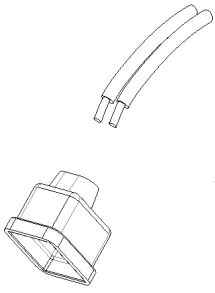


图16: 将电线穿过橡胶护套

[将电线连接到可拆卸锁定接头的可选步骤]

将电线连接到接头。

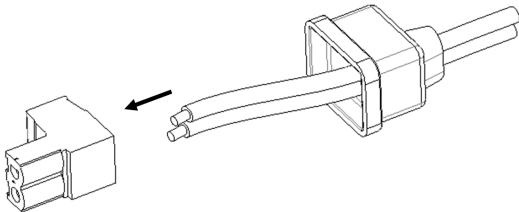


图17: 将电线连接到接头

[将电线连接到可拆卸锁定接头的可选步骤]

用螺丝刀锁定接头。

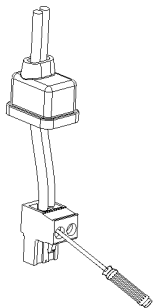


图18: 用螺丝刀锁定接头

[将电线连接到可拆卸锁定接头的可选步骤]

将橡胶护套滑向插头。

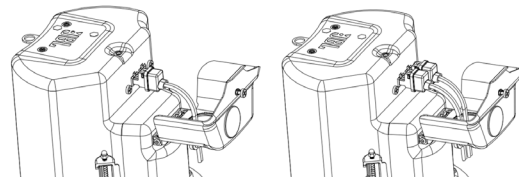


图19: 将橡胶护套滑向插头

[将电线连接到可拆卸锁定接头的可选步骤]

如图所示在橡胶护套开口处添加硅胶以密封接头。

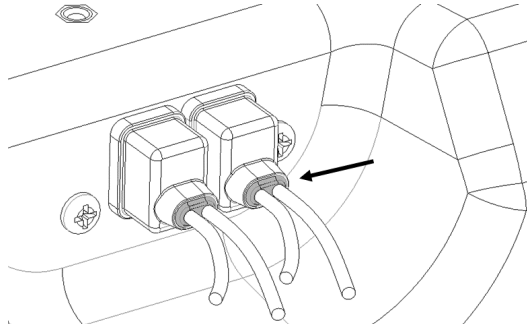


图19A: 添加硅胶

第4.2步 - 将电线连接到可拆卸锁定接头（适用于Control 412C/T-VA、Control 414C/T-VA和Control 416C/T-VA）- 扬声器上附有一个陶瓷端子块。剥离绝缘层约5毫米（约3/16英寸）。电线剥离长度不要超过这个数字。将电线的裸露端完全插入接头（不得有任何电线裸露在接头外部）。仅使用端子块上没有已连接电线的一侧。

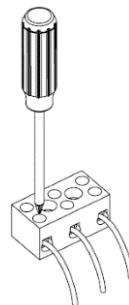


图19A: 将电线连接到陶瓷端子块

(注意图中右侧电线是可选的。仅当驱动器底盘需要安全接地时)

如果需要环路连接到另一个扬声器，将第二组电线并联到相同的端子。用小型十字螺丝刀拧紧紧固螺钉直至牢固。拧紧任何未使用的螺钉以避免振动引起的嘎嘎声。

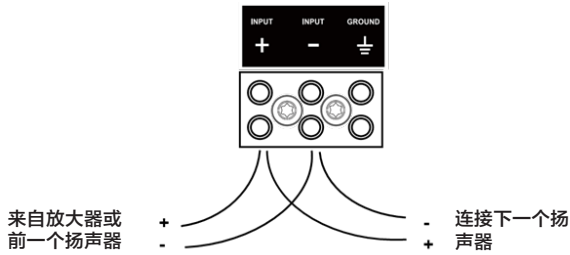


图19B: 将两组电线连接到陶瓷端子块以环路输出到后续扬声器。

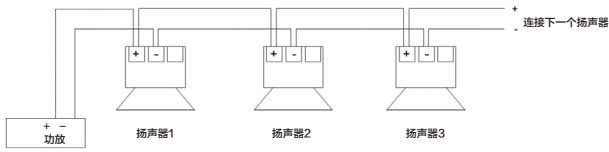


图19C: 在70V或100V分布式扬声器系统中并联连接到多个扬声器。

连接引脚指南 -- 陶瓷端子块包含3个端子，标记为+输入、-输入和接地。

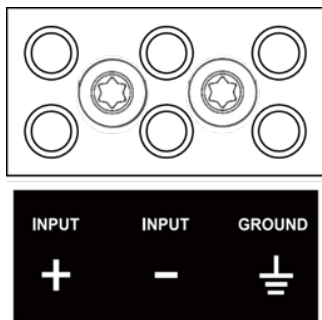


图19D: 端子

第5步 - 将已接线的2针接头插入2针插座 - 注意正确的正负极性，并根据标签方向插入接头。

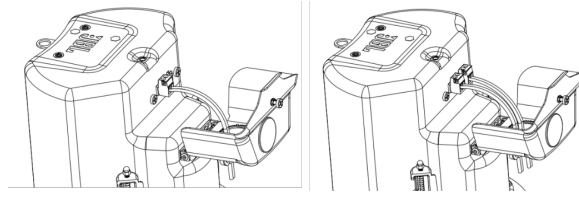


图20: 如果没有橡胶护套，将接头插入插座

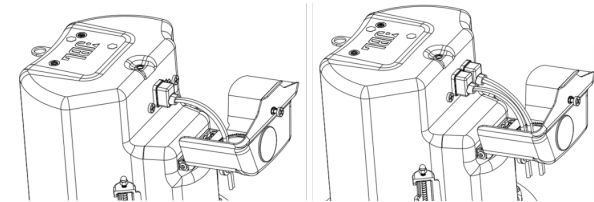


图21: 如果使用橡胶护套，将接头插入插座并将橡胶护套移至覆盖接头

第6步 - 关闭并固定端子盖 - 关闭端子盖并用固定在端子盖中的螺钉锁紧。

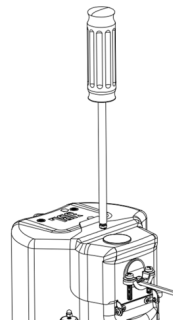


图22: 关闭端子盖并拧紧螺钉

第7步 - 用随附的2个螺钉拧紧应力消除夹紧机构。

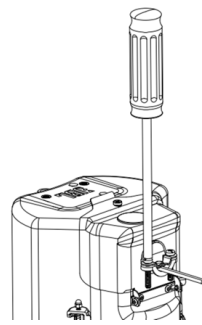


图23: 拧紧应力消除夹紧机构

(图示应力消除组件位于侧面位置且使用无护套电线)

重要提示：



始终遵循建筑规范和当地建筑类型的法规。

将扬声器插入天花板并拧紧。将扬声器插入天花板切口，直到前挡板边缘的背面接触天花板。

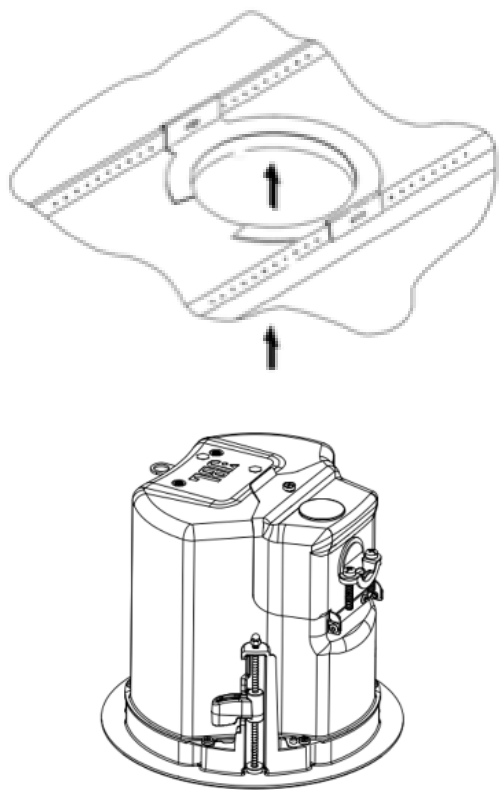


图24：将扬声器插入天花板切口

拧紧折耳固件 -- 重要提示 -- 对于每个固定螺钉，首先逆时针旋转 $\frac{1}{2}$ 圈以将折耳安装舌片从其收纳位置释放出来。

然后顺时针旋转螺钉直至紧贴天花板表面。根据天花板材料的特性调整扭矩，**不要过度拧紧。**

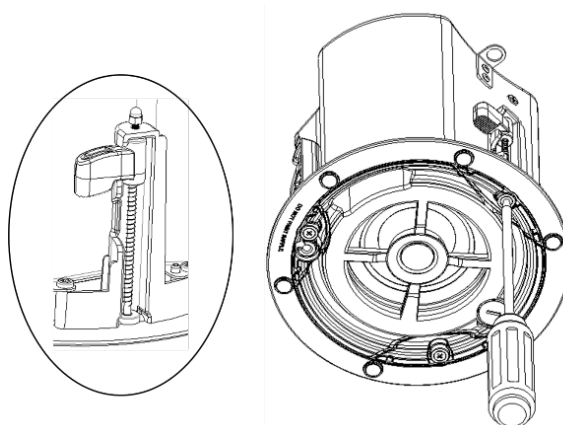


图25：拧紧折耳安装片

各型号的折耳数量

| 型号 | 折耳螺钉数量 |
|---|--------|
| Control 412C/T、Control 412C/T-VA、Control 414C/T、Control 414C/T-VA | 3个折耳 |
| Control 416C/T、Control 416C/T-VA、Control 418C/T | 4个折耳 |

用于厚天花板 - 默认情况下，折耳片位于行程中间，适用于大多数天花板深度。对于需要将舌片置于最高位置的厚天花板，在将扬声器插入天花板切口之前，将所有螺钉逆时针旋转至硬止点（同时确保舌片未卡在中间）。

当移除扬声器时，将所有折耳螺钉逆时针旋转，直到每个螺钉停止。一旦所有螺钉达到硬止点，折耳固件将折叠，扬声器就可以从天花板移除。

确保在松开折耳螺钉时支撑扬声器，以防止扬声器掉落。

第9步 - 将辅助支撑线连接到抗震片 - 每个扬声器侧面有一个舌片，用于连接到独立的辅助支撑点。某些建筑规范要求使用此辅助支撑点，这需要将支撑线连接到建筑结构上的单独安全支撑点。请咨询您所在地区的建筑规范。

重要提示



Control Contractor吸顶扬声器可以产生大量振动。应使用辅助支撑电缆连接到抗震片作为辅助支撑点，以防吊顶板或支撑结构断裂。

第10步 - 调整抽头选择器 - 抽头选择器开关位于前挡板上。在放置网罩和向扬声器施加信号之前调整抽头设置。在某些安装中，建议暂时不安装网罩，以便最终调整系统的抽头。

“NC” = 无连接。（不要在100V分布式系统中使用此设置）

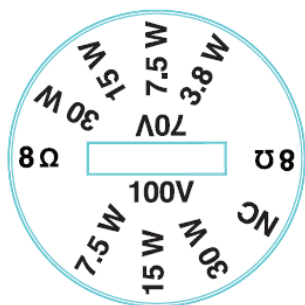


图26: 抽头选择器（图示为Control 416C/T）

第11步 - 插入安全绳固定插头并安装网罩 - 网罩附带一根安全绳。将安全绳开放端的固定插头（预连接到网罩）插入挡板上的随附插座。确保插头完全插入插座，不会突出，以免阻挡网罩正确安装。

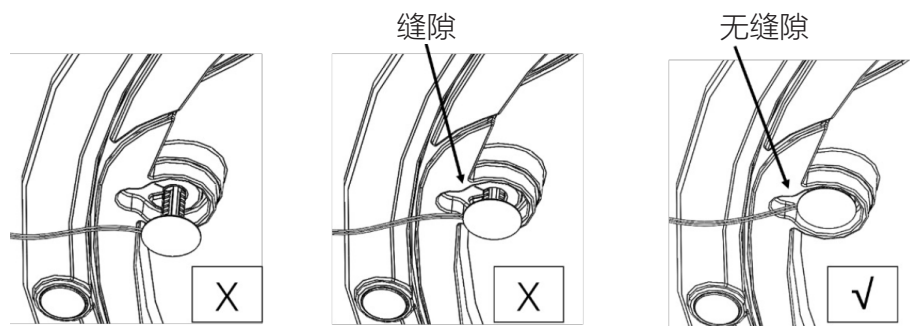


图27: 确保插头完全插入

然后将网罩放置在扬声器前，注意不要将安全绳直接放在驱动器前面（否则可能因振动而发出嗡嗡声）。确保网罩通过磁力牢固固定，不会因振动而松动或脱落。

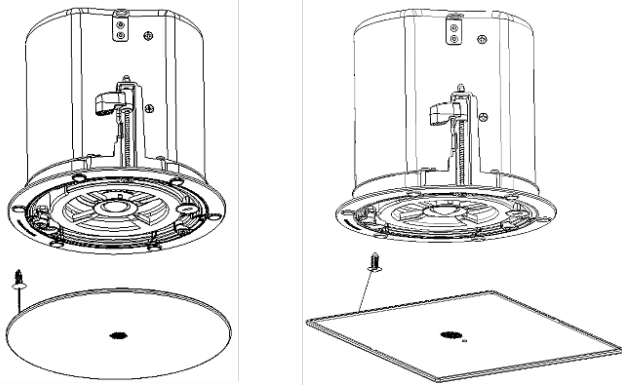


图28：安装网罩

6. 网罩喷涂

重要提示：



对于Control 412C/T-VA、Control 414C/T-VA和Control 416C/T-VA（生命安全型号）- 为保持阻燃等级请勿喷涂网罩或改装出厂表面涂层。

对于其他Control Contractor标准声场系列型号，网罩的白色饰面与大多数装饰相得益彰，无需进一步处理。在室内设计需要时，这些网罩也很方便喷涂。网罩完全覆盖扬声器，因此可以在扬声器安装前进行喷涂。

重要提示：



请勿喷涂扬声器的挡板。磁铁和网罩之间有油漆会削弱磁铁固定网罩的能力。

为获得最佳效果，建议按照以下步骤操作：

- 轻轻从网罩背面移除网罩背衬材料，小心不要撕裂它。将其放在一边以备喷涂后重新安装。遮盖或
- 移除网罩标志（喷涂后重新安装）。请勿移除包边饰条。
- 用轻溶剂（如矿物油精）清洁网罩和包边饰条，用微湿的布擦拭。但不要使用砂纸或钢丝绒等磨料（这会磨掉网罩的防锈镀层）。不要使用汽油、煤油、丙酮、MEK、油漆稀释剂、强效清洁剂或其他化学品。使用这些清洁剂可能会对网罩组件造成永久性损坏。不要打磨网罩。
- 喷涂一层或多层薄漆。注意不要堵塞穿孔（声音需要通过孔洞发出 - 堵塞它们会影响扬声器的音质）。
- 油漆完全干燥后，将网罩背衬材料重新安装到网罩背面。如果网罩背衬在拆下后收缩，请将其拉伸回原尺寸以妥善遮盖扬声器。如果网罩背衬在拆下后拉伸，请修剪至合适尺寸。

- 如果网罩背面剩余的粘性不足以牢固固定背衬材料（或如果被油漆覆盖），请在网罩背面喷涂一层非常薄的喷胶。
- 喷一点点粘合剂在网罩背面，而不是背衬材料的正面。如果某款粘合剂说明要求喷涂两侧，请使用其他粘合剂。在背衬材料正面喷涂粘合剂可能会令胶水通过穿孔暴露在空气中，从而吸引并吸附空气中的灰尘，影响扬声器的清洁外观。
- 请勿将网罩正面放在任何可能喷涂过额外粘合剂的表面上。这样做可能会在网罩正面沉积粘合剂，同样会吸引并吸附灰尘和污垢。
- 如果JBL标志被移除（而不是简单地被遮盖），请将JBL标志重新安装到网罩中心。网罩中心有一个浅凹痕，指示标志的位置。

如果天花板需要喷涂，请遮盖扬声器 - 扬声器本身不应被喷涂。网罩完全覆盖扬声器，扬声器的前挡板为黑色，视觉上可以完全隐匿在网罩和网罩背衬材料后面。如果天花板在扬声器安装后被喷涂，必须在喷涂前完全遮盖扬声器（包括挡板边缘），以防止油漆接触到驱动单元或挡板，否则透过网罩可看见不一致的颜色。

7. 维护

按照本手册中的安装和接线指南安装时，无需维护。

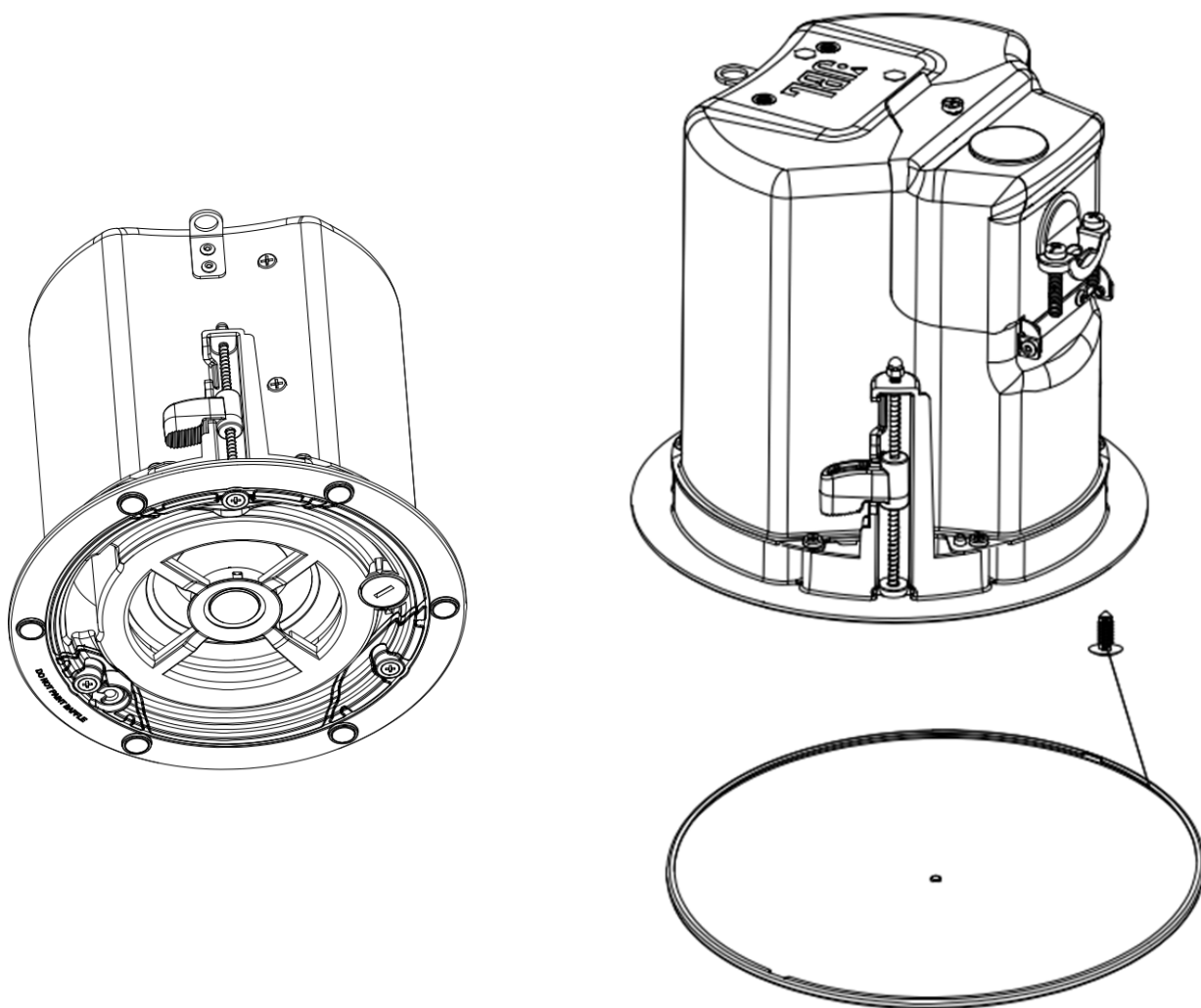
8. 替换部件



声器内部没有用户可维修的部件。请将维修工作交给授权的JBL服务中心。有关您所在地区授权服务中心的名称，请联系JBL Professional，地址如下。

JBL Control 400 標準覆蓋系列天花 板揚聲器

Control 412C/T、Control 414C/T、Control 416C/T、Control 418C/T、
Control 412C/T-VA、Control 414C/T-VA、Control 416C/T-VA



用戶手冊



1. 重要安全說明

注意以下符號：



使用前請閱讀手冊。



帶閃電箭頭的等邊三角形內符號用於提醒使用者：產品外殼內存在未絕緣的「危險電壓」，其強度可能構成人體觸電風險。



帶感嘆號的等邊三角形用於提醒用戶：產品隨附檔中包含重要的操作和維護（維修）說明。



高聲壓級。存在聽力損傷風險。

警告： 僅允許受過指導或具備專業技能的人員使用Harman批准的安裝硬體和安全措施進行安裝。

1. 閱讀、保存並遵循所有說明。注意所有警告。
2. 按指示安裝和操作，以避免造成安全隱患。
3. 本產品不適用於高濕度或長期/強烈陽光（紫外線）環境。若預計會暴露於此類環境，應適當遮蓋產品或將其移出該環境。
4. 僅使用幹布清潔。
5. 在進行任何連接或斷開操作前，確保所有設備處於關閉狀態。
6. 在通電或投入使用前，確保揚聲器網罩固定到位。
7. 所有維修工作應交由合格的維修人員處理。如果設備以任何方式受損，如外殼內有液體或異物侵入、暴露于雨水或潮濕環境、運行異常或跌落，則需要進行維修。
8. 請勿請勿靠近任何熱源或火源安裝。
9. 僅使用製造商指定的附件/配件。
10. 防護等級取決於附加硬體，操作產品前請徹底閱讀相關安裝說明。

废弃电子电气设备(WEEE)声明：



本產品不得與普通生活垃圾一同丟棄或傾倒。您有責任將所有廢棄電子電氣設備移交至指定的有害廢物回收點。單獨收集並在廢棄時妥善回收電子電氣設備，將有助於我們保護自然資源。此外，妥善回收電子電氣設備將確保人類健康和環境安全。有關電子電氣設備處置、回收和收集點的更多資訊，請聯繫當地市政中心、生活垃圾處理服務部門、購買設備的商店或設備製造商。

電子電氣產品有害物質標識：

| 產品中有害物質的名稱及含量 | | | | | | |
|---------------|--------|--------|--------|--------------|------------|--------------|
| 部件名稱 | 有害物質 | | | | | |
| | 鉛 (Pb) | 汞 (Hg) | 鎘 (Cd) | 六價鉻 (Cr(VI)) | 多溴聯苯 (PBB) | 多溴二苯醚 (PBDE) |
| 電路板元件 | ○ | ○ | ○ | ○ | ○ | ○ |
| 喇叭 | ○ | ○ | ○ | ○ | ○ | ○ |
| 端子 | ○ | ○ | ○ | ○ | ○ | ○ |
| 外殼 | ○ | ○ | ○ | ○ | ○ | ○ |
| 金屬配件 | ○ | ○ | ○ | ○ | ○ | ○ |

本表格依據SJ/T 11364的規定編制。
○：表示該有害物質在該部件所有均質材料中的含量均在GB/T 26572規定的含量要求以下。
X：表示該有害物質至少在該部件的某一均質材料中的含量超出GB/T 26572規定的限量要求。

2. 產品描述

感謝您購買 JBL Control 400 標準覆蓋系列天花板揚聲器。

在使用本產品之前，請通讀本手冊以熟悉其特性、應用和注意事項。

JBL Control 400 標準覆蓋系列吸頂揚聲器採用創新設計和材料，透過緊湊型吸頂揚聲器提供一流的性能。

Control 412C/T 是一款全頻小巧型吸頂揚聲器，配備3英寸寬頻驅動器。該揚聲器可設置為低阻抗（8Ω）工作模式，或由70V或100V分散式揚聲器線路驅動。（SKU編號為JBL-C412C/T）

Control 414C/T 是一款兩路同軸全頻吸頂揚聲器，配備4英寸低音單元和3/4英寸高音單元。該揚聲器可設置為低阻抗（8Ω）工作模式，或由70V或100V分散式揚聲器線路驅動。（SKU編號為JBL-C414C/T）

Control 416C/T 是一款兩路同軸全頻吸頂揚聲器，配備6.5英寸低音單元和3/4英寸高音單元。該揚聲器可設置為低阻抗（8Ω）工作模式，或由70V或100V分散式揚聲器線路驅動。（SKU編號為JBL-C416C/T）

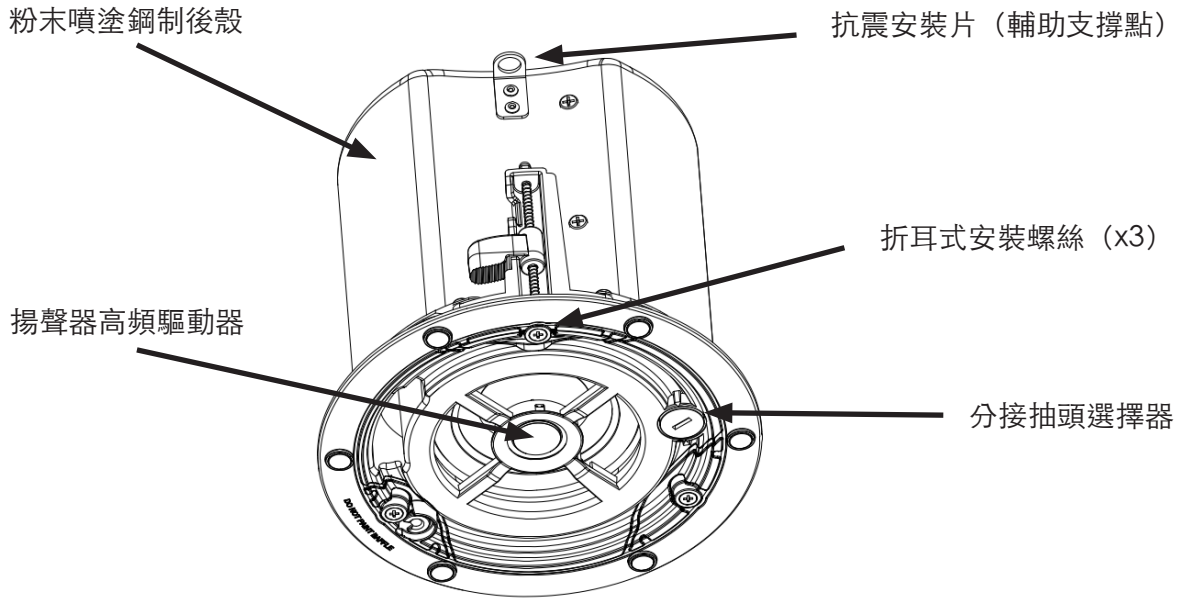
Control 418C/T 是一款兩路同軸全頻吸頂揚聲器，配備8英寸低音單元和1英寸高音單元。該揚聲器可設置為低阻抗（8Ω）工作模式，或由70V或100V分散式揚聲器線路驅動。（SKU編號為JBL-C418C/T）

Control 412C/T-VA 是Control 412C/T的生命安全版本，除了符合UL1480A商用和專業用揚聲器標準（本系列所有揚聲器均符合）外，還符合**EN54-24火災探測和火災報警系統**標準。（SKU編號為JBL-C412C/T-VA）

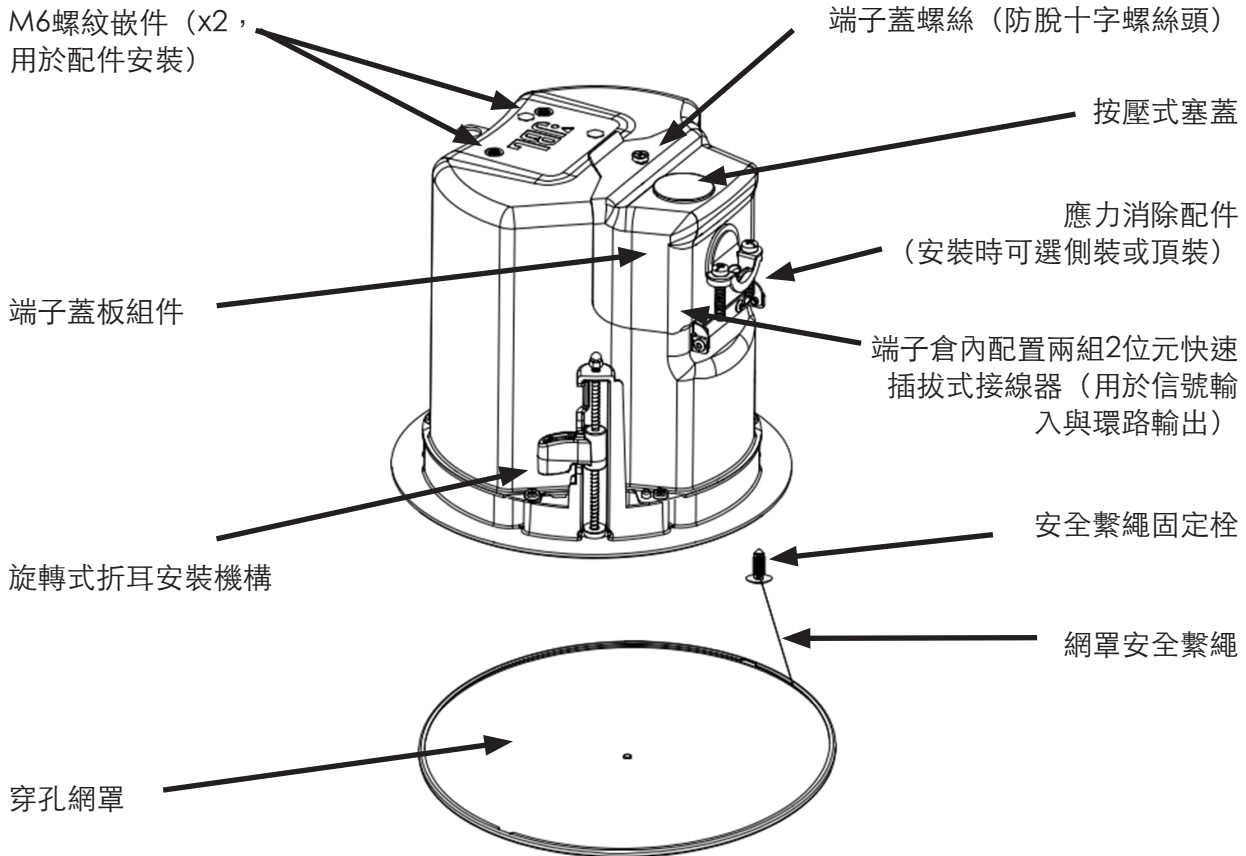
Control 414C/T-VA 是Control 414C/T的生命安全版本，除了符合UL1480A商用和專業用揚聲器標準（本系列所有揚聲器均符合）外，還符合**EN54-24火災探測和火災報警系統**標準。（SKU編號為JBL-C414C/T-VA）

Control 416C/T-VA 是Control 416C/T的生命安全版本，除了符合UL1480A商用和專業用揚聲器標準（本系列所有揚聲器均符合）外，還符合**EN54-24火災探測和火災報警系統**標準。（SKU編號為JBL-C416C/T-VA）

3. 產品特徵標識



（展示圖為移除標配網罩後的效果）



4. 安裝準備

如有必要，整個安裝過程可在無需拆卸天花板頂部結構的情況下完成。隨附適用於吊頂或石膏板天花板的支架。揚聲器通過鎖定到位的折耳安裝片牢固固定。輸入線路和通往下一個揚聲器的環路輸出線路連接到卡入式接頭（隨附），可在安裝揚聲器前預先佈線，實現快速卡扣安裝。

可選預先安裝支架

在大多數情況下，除揚聲器隨附的支架外，無需其他支架。

大多數安裝這些揚聲器所需的物品都隨Control Contractor吸頂揚聲器提供。

然而，對於石膏板的安裝，有時會使用特定的程序，可以借助JBL的可選預先安裝支架**在石膏板安裝之前**來簡化這一流程。預先安裝支架提供了一個支架，可以在石膏板後面固定佈線。當需要在生產線式安裝中製作許多切口時，它可以作為切口範本。它還可以在石膏板安裝之前預留天花板中的位置。JBL Professional提供兩種類型的預先安裝支架作為可選配件：

可選的**NC新建支架**由平板金屬製成，帶有連接到建築結構的翼片。在中心距16英寸（406毫米）和24英寸（610毫米）處鑽孔用於釘子或螺釘。安裝人員可以在最大24-3/4英寸（630毫米）間距的其他位置鑽孔。石膏板在支架安裝後安裝，支架為石膏板中的盲切孔提供範本。對於此過程，通常使用路由型切割工具切割石膏板，使用支架環作為切口引導。

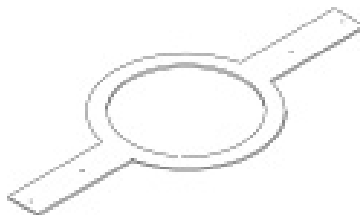


圖1：
可選NC新建支架

可選的**MR石膏環支架**（或「膩子環」）包含一個圓形偏移口，形成石膏板抹膩子的邊緣引導。支架有連接到建築結構的翼片。石膏板通常是預切割的，或使用旋轉切割工具以石膏環圓圈的外部作為引導進行切割。然後石膏板孔即可抹膩子到這個環的位置，以創建無縫切口。

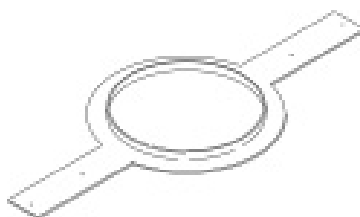


圖2：
可選MR（「膩子環」）石膏環支架

表1: 預先安裝支架

| 型號 | 新建支架 | 石膏環支架 |
|---|---------------|---------------|
| Control 412C/T、Control 414C/T、Control 412C/T-VA、Control 414C/T-VA | JBL-MTC-424NC | JBL-MTC-424MR |
| Control 416C/T、Control 416C/T-VA | JBL-MTC-426NC | JBL-MTC-426MR |
| Control 418C/T | JBL-MTC-447NC | JBL-MTC-447MR |

使用隨附的C形支架與石膏板

對於大多數安裝，隨附的C形背板為天花板材料提供了足夠的加固，分散了折耳夾緊力。即使有一個折耳落在C形開口的兩端之間，其餘的折耳仍然會落在支架上，因此足以支撐石膏板安裝。

天花板切口尺寸

隨揚聲器包裝提供紙板切口範本，用於在天花板表面標記切口孔。

表2: 切口尺寸

| 型號 | 切口尺寸 (直徑) |
|----------------------------------|----------------|
| Control 412C/T、Control 412C/T-VA | 168毫米 (6.6英寸) |
| Control 414C/T、Control 414C/T-VA | 168毫米 (6.6英寸) |
| Control 416C/T、Control 416C/T-VA | 223毫米 (8.8英寸) |
| Control 418C/T | 282毫米 (11.1英寸) |

可選BG (黑色) 和SG (方形) 網罩

可選圓形黑色和白色方形網罩。**JBL-MTC-xxxBG**網罩是圓形黑色網罩，當需要黑色時，可以代替隨附的標準白色網罩使用。也可以對標準白色網罩進行噴塗 (見下文)。**JBL-MTC-xxxSG**是白色方形網罩，當需要方形網罩時，可以代替隨附的標準網罩使用。這些網罩可以噴塗成所需顏色 (包括黑色)。這些網罩完全覆蓋揚聲器組件。

| 型號 | 黑色圓形網罩 | 方形網罩 |
|----------------------------------|---------------|---------------|
| Control 412C/T、Control 412C/T-VA | JBL-MTC-414BG | JBL-MTC-414SG |
| Control 414C/T、Control 414C/T-VA | JBL-MTC-414BG | JBL-MTC-414SG |
| Control 416C/T、Control 416C/T-VA | JBL-MTC-416BG | JBL-MTC-416SG |
| Control 418C/T | JBL-MTC-418BG | JBL-MTC-418SG |

5. 分步安裝與接線

安裝系統設計為整個安裝過程可以從天花板下方完成，適用於無法或不方便接觸天花板頂部的情況。然而，在某些情況下（例如可移動天花吊頂板）在安裝的不同階段可從吊頂板的頂部和底部同時作業，更為方便。

注意：接線方法應符合：

1. 加拿大：**CSA C22.1**，加拿大電氣規範，第一部分，電氣安裝安全標準，第32節
2. 美國：**NFPA 70**。

第1步 - 開孔。通過描摹隨附的紙板切口範本或使用上述切口尺寸圖表標記孔，切割出音箱孔大小。使用安全工具（如曲線鋸）來切割孔，並佩戴適當的眼部保護裝置。要精確，切口直徑偏差不得超過1/16英寸（1.5毫米）。將電線穿過切口孔。

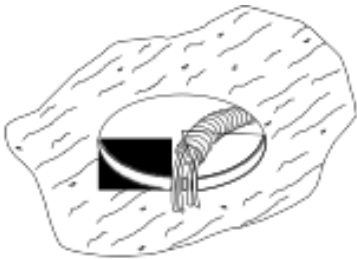


圖3：
切口孔
（圖示：電線置於柔性導管中）

第2步 - 將支撐硬體插入孔中。揚聲器包裝內提供兩種類型的支撐硬體 - 一個C形背板（“C形環”）支架和兩個吊頂板軌道。

吊頂 - 將C形環穿過吊頂板中的切口孔（如果已拆卸吊頂板，可從吊頂板上方放置）。將C形環圍繞孔放置，舌片位置如圖4所示。將兩個吊頂板軌道穿過吊頂板中的切口孔。將兩個軌道卡入C形板的兩個舌片中，並調整軌道使其末端延伸至吊頂板側面的T型通道網格上方。通過將螺釘穿過每個舌片擰入軌道，將軌道固定在C形環舌片上。如有必要，上述步驟均可以從吊頂板下方完成。

安全事項：使用支架的重要提示

安裝到吊頂板時，必須使用所有隨附的支撐支架 - 包括C形環和吊頂板軌道。

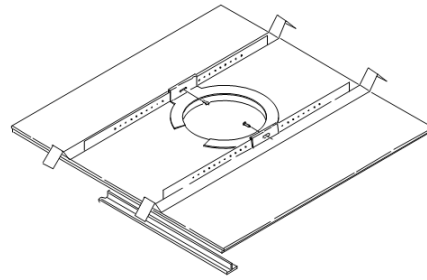


圖4：
C形支架和吊頂板軌道在吊頂板上的位置

吊頂板軌道：吊頂板軌道設計用於適配標準24英寸寬吊頂板或600毫米寬吊頂板。吊頂板軌道件不物理連接到T型網格支柱。相反，軌道末端的倒V形位於T型網格支柱上方。在正常操作期間，軌道由吊頂板邊緣支撐。在吊頂板脫落或破裂這種極端罕見情況下，支撐軌道的末端設計用於卡住T型網格，提供牢固的支撐以固定揚聲器元件。

可選配件吊頂板軌道JBL-MTC-48TRX4（4個吊頂板軌道包裝）也可用於安裝到更大的4' x 4'（1200 x 1200毫米）吊頂板中。

減振：本揚聲器可以產生大量音訊輸出，可能導致天花板材料或結構發出嗡嗡聲。根據吊頂板和結構的特性，安裝人員可能需要在吊頂板軌道或吊頂板邊緣下放置氯丁橡膠或其他阻尼材料以消除嘎嘎聲。

切口位置：吊頂板軌道預沖有沿其長度的安裝孔。位置不限制在吊頂板中心，這與許多其他吊頂板軌道支撐系統的情況不同。

非吊頂類型 - 對於非吊頂類型，可以單獨使用C形環來加固天花板材料並分散舌片夾緊力。將C形環穿過天花板中的切口孔，並在插入揚聲器之前將其放置在孔的頂部。

第3步 - 將接頭插入揚聲器端子杯中的接頭插座。

完全鬆開位於後蓋頂部面板上的端子蓋固定螺釘。
此螺釘保留在端子蓋中（不要完全移除）。

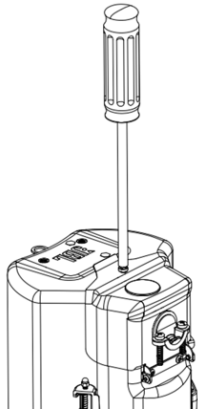


圖5:
完全鬆開端子蓋固定螺釘

打開端子蓋 - 對於Control 412C/T、Control 412C/T-VA、Control 414C/T和Control 414C/T-VA，端子蓋鉸鏈位於後蓋的側面板上。

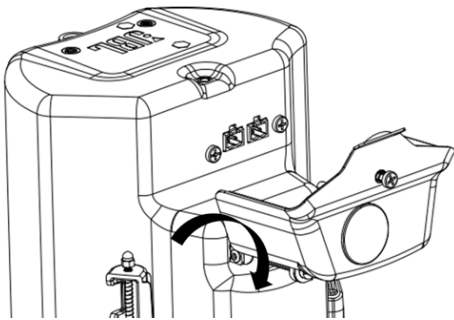


圖6A: 打開端子蓋
(圖示為Control 414C/T)

對於Control 416C/T、Control 416C/T-VA和Control 418C/T，端子蓋鉸鏈位於後蓋的頂部面板上。

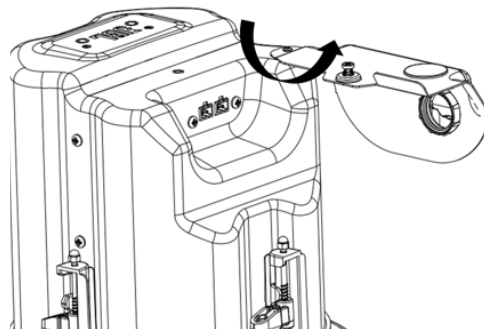


圖6C: 打開端子蓋
(圖示為Control 416C/T)

應力消除位置 - 為使揚聲器盡可能不凸出，對於Control 412C/T、Control 414C/T、Control 416C/T和Control 418C/T，默認應力消除位置（即電線出口）安裝在後蓋的側面。

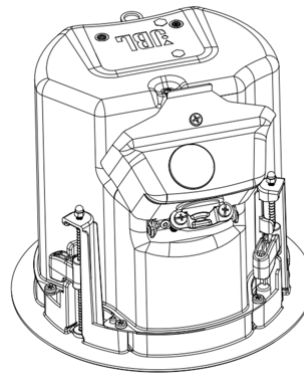


圖7: 預設情況下應力消除位於側面

然而，如果安裝人員希望應力消除元件位於後蓋的頂部面板而非側面板，也可按照以下說明操作：

將應力消除組件移至頂部面板（適用於非VA型號）

[將應力消除組件移至頂部面板的可選步驟]

端子蓋上有兩個相同直徑的孔，一個在頂部面板，一個在側面板。出廠時，頂部孔裝有壓入式塞子，側孔裝有應力消除組件。要將兩者交換，打開端子蓋並推出壓入式塞子（保留以備後用）。

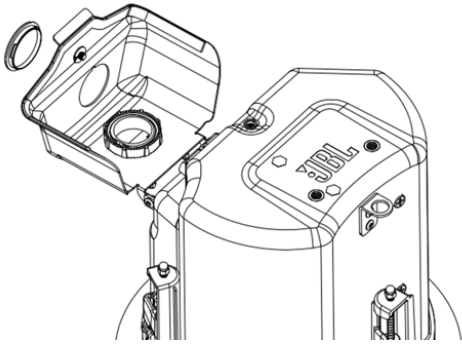


圖8：推出壓入式塞子

[將應力消除組件移至頂部面板的可選步驟]

從端子蓋內部，擰下固定應力消除的螺母。

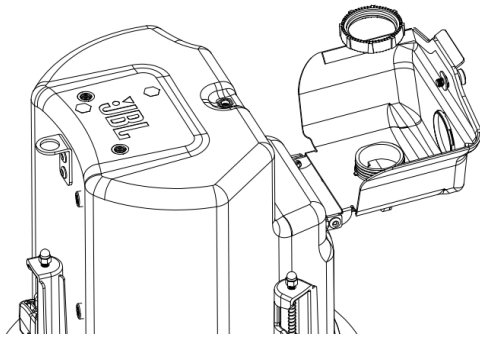


圖9：擰下螺母

[將應力消除組件移至頂部面板的可選步驟]

將應力消除組件插入端子蓋的頂部孔中。擰緊固定應力消除組件的螺母。

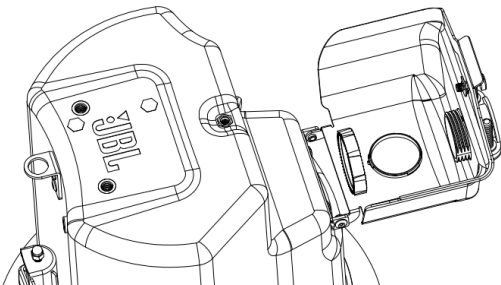


圖10：將應力消除組件移至頂部並鎖定

[將應力消除組件移至頂部面板的可選步驟]

將壓入式塞子插入端子蓋的側孔中。

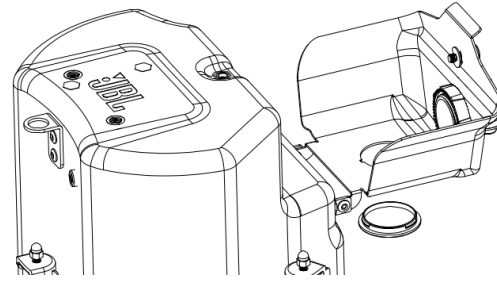


圖11：插入壓入式塞子

對於Control 412C/T-VA、Control 414C/T-VA和Control 416C/T-VA，端子蓋頂部面板上有兩個孔。一個孔被壓入式塞子覆蓋。

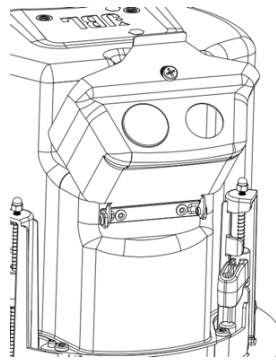


圖11A：預設情況下頂部有兩個孔。

在開放孔中安裝壓緊螺母。確保壓緊螺母正確固定並擰緊。如果需要兩個壓緊螺母，可以在另一個孔（移除壓入式塞子後）安裝第二個壓緊螺母（不隨附）。

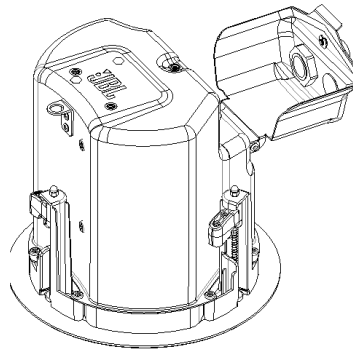


圖11B：在開放孔中安裝壓緊螺母

步驟4.1 - 將電線連接到可拆卸鎖定接頭（適用於Control 412C/T、Control 414C/T、Control 416C/T和Control 418C/T）- 揚聲器隨附兩個2針可拆卸鎖定接頭 - 一個用於輸入，另一個用於環路輸出。將電線連接到可拆卸鎖定接頭，剝離絕緣層約5毫米（約3/16英寸）- 剝離電線過長可能導致短路，剝離過短可能導致連接不良。將電線的裸露端插入接頭，並用小型一字螺絲刀擰緊緊固螺釘直至牢固。擰緊任何未使用的螺釘以避免振動。再次檢查電線是否磨損，以及裸露電線是否暴露（任何一項都可能導致電線之間短路）。

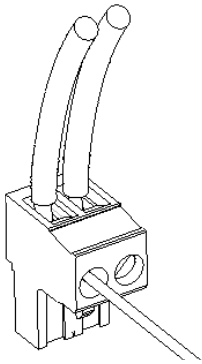


圖12: 將電線連接到可拆卸鎖定接頭（顯示為單獨的無護套電線，帶有2根輸入電線）

連接引腳指南 -- 兩個可拆卸鎖定輸入接頭各包含2個端子。引腳功能列在端子蓋板上的標籤上。

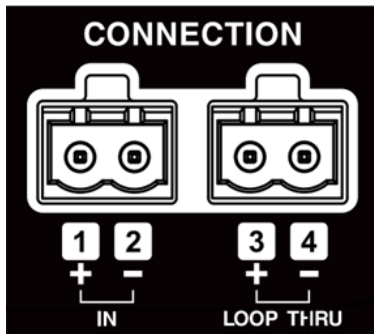
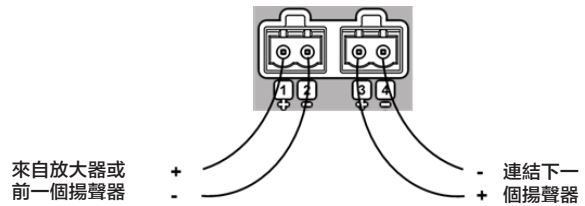


圖13: 接頭引腳（圖示為Control 418C/T）

引腳1和2（在其中一個2針接頭上）是揚聲器的“+”和“-”輸入。引腳3和4分別連接到揚聲器內部的引腳1和2（引腳1連接到引腳3，引腳2連接到引腳4）。引腳3和4是到後續揚聲器的環路連接。

連接後續揚聲器時，將後續揚聲器的電線對連接到引腳3和4（環路輸出）。



將已接線的2針接頭穿過應力消除組件

將揚聲器電線連接到2針接頭

接線接頭 - 將揚聲器電線連接到接頭，注意正確的+/-極性，並確保沒有電線磨損或導體過多裸露，否則可能導致短路。

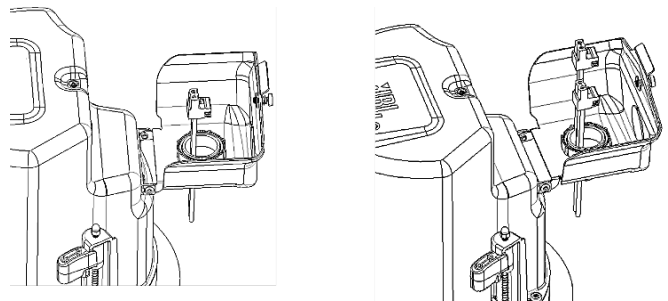


圖14: 將接頭穿過應力消除組件

如果需要IP33等級，則使用橡膠護套並按照以下說明操作：

[將電線連接到可拆卸鎖定接頭的可選步驟]

將電線從外部穿過應力消除元件進入內部。

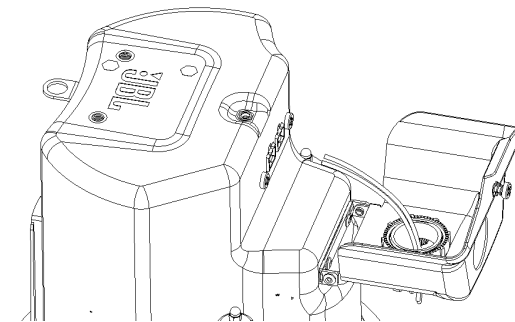


圖15: 將電線穿過應力消除組件

[將電線連接到可拆卸鎖定接頭的可選步驟]

將電線從小方形開口穿過橡膠護套並從另一個開口穿出。

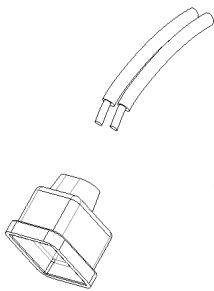


圖16: 將電線穿過橡膠護套

[將電線連接到可拆卸鎖定接頭的可選步驟]

將電線連接到接頭。

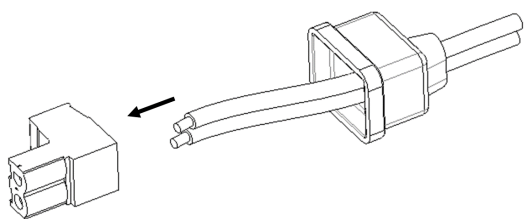


圖17: 將電線連接到接頭

[將電線連接到可拆卸鎖定接頭的可選步驟]

用螺絲刀鎖定接頭。

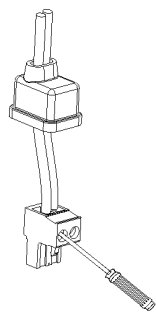


圖18: 用螺絲刀鎖定接頭

[將電線連接到可拆卸鎖定接頭的可選步驟]

將橡膠護套滑向插頭。

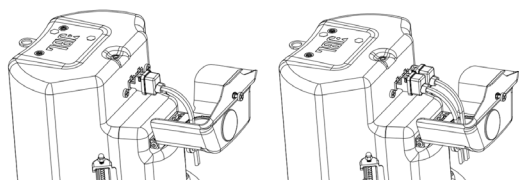


圖19: 將橡膠護套滑向插頭

[將電線連接到可拆卸鎖定接頭的可選步驟]

如圖所示在橡膠護套開口處添加矽膠以密封接頭。

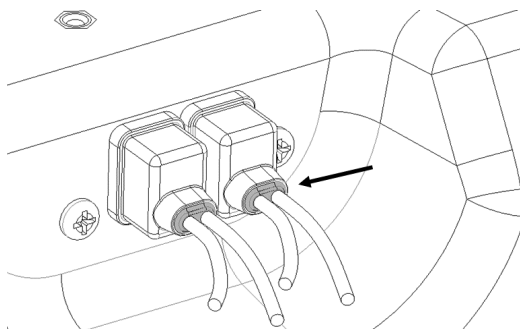


圖19A: 添加矽膠

第4.2步 - 將電線連接到可拆卸鎖定接頭 - 揚聲器上附有一個陶瓷端子塊。剝離絕緣層約5毫米（約3/16英寸）。電線剝離長度不要超過這個數字。將電線的裸露端完全插入接頭（不得有任何電線裸露在接頭外部）。僅使用端子塊上沒有已連接電線的一側。

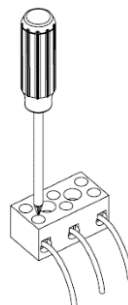


圖19A: 將電線連接到陶瓷端子塊

（注意圖中右側電線是可選的。僅當驅動器底盤需要安全接地時。）

如果需要環路連接到另一個揚聲器，將第二組電線並聯到相同的端子。用小型十字螺絲刀擰緊緊固螺釘直至牢固。擰緊任何未使用的螺釘以避免

振動引起的嘎嘎聲。

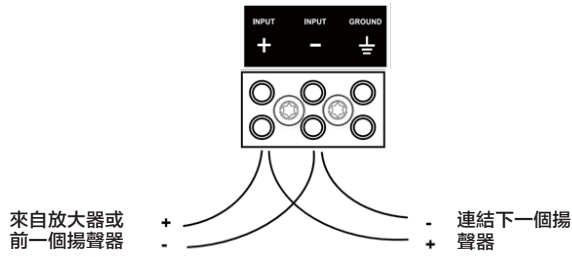


圖19B: 將兩組電線連接到陶瓷端子塊以環路輸出到後續揚聲器。

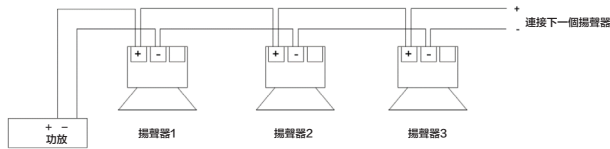


圖19C: 在70V或100V分散式揚聲器系統中並聯連接到多個揚聲器。

連接引腳指南 -- 陶瓷端子塊包含3個端子，標記為+輸入、-輸入和接地。

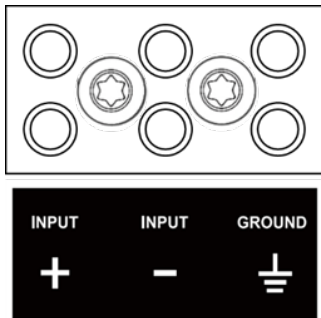


圖19D: 端子

第5步 - 將已接線的2針接頭插入2針插座 - 注意正確的正負極性，並根據標籤方向插入接頭。

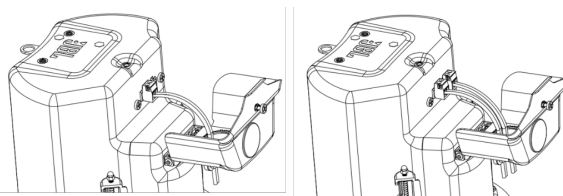


圖20: 如果沒有橡膠護套，將接頭插入插座

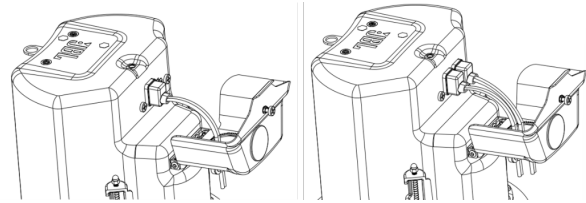


圖21: 如果使用橡膠護套，將接頭插入插座並將橡膠護套移至覆蓋接頭

第6步 - 關閉並固定端子蓋 - 關閉端子蓋並用固定在端子蓋中的螺釘鎖緊。

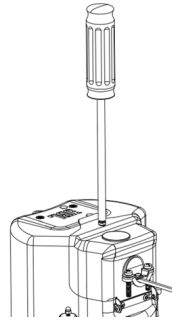


圖22: 關閉端子蓋並擰緊螺釘

第7步 - 用隨附的2個螺釘擰緊應力消除夾緊機構。

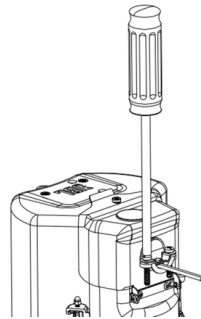


圖23: 擰緊應力消除夾緊機構

(圖示應力消除元件位於側面位置且使用無護套電線)

重要提示:



始終遵循建築規範和當地建築類型的法規。

第8步 - 將揚聲器插入天花板並擰緊。將揚聲器插入天花板切口，直到前擋板邊緣的背面接觸天花板。

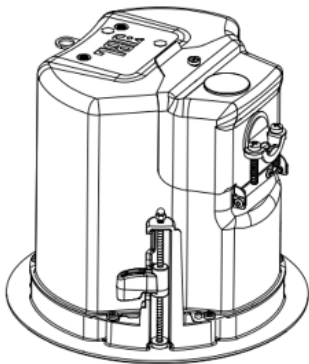
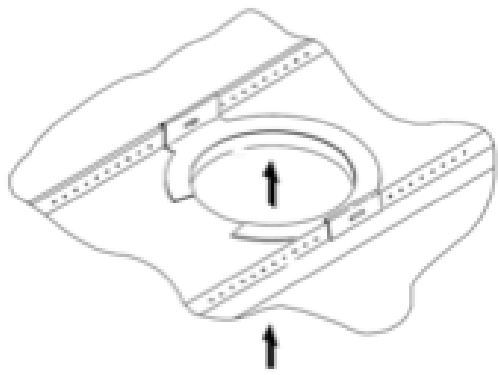


圖24：將揚聲器插入天花板切口

擰緊折耳固件 -- 重要提示 -- 對於每個固定螺釘，首先逆時針旋轉 1/2 圈以將折耳安裝舌片從其收納位置釋放出來。

然後順時針旋轉螺釘直至緊貼天花板表面。根據天花板材料的特性調整扭矩，不要過度擰緊。

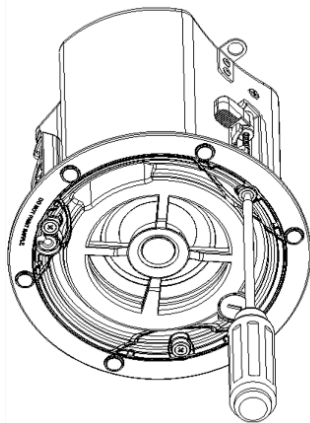
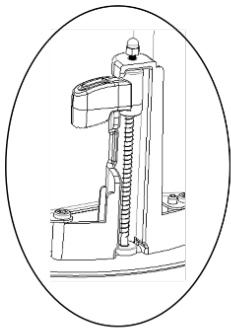


圖25：擰緊折耳安裝片

各型號的折耳數量

| 型號 | 折耳螺釘數量 |
|---|--------|
| Control 412C/T、Control 412C/T-VA、Control 414C/T、Control 414C/T-VA | 3個折耳 |
| Control 416C/T、Control 416C/T-VA、Control 418C/T | 4個折耳 |

用於厚天花板 - 預設情況下，折耳片位於行程中間，適用於大多數天花板深度。對於需要將舌片置於最高位置的厚天花板，在將揚聲器插入天花板切口之前，將所有螺釘逆時針旋轉至硬止點（同時確保舌片未卡在中間）。

當移除揚聲器時，將所有折耳螺釘逆時針旋轉，直到每個螺釘停止。一旦所有螺釘達到硬止點，折耳固件將折疊，揚聲器就可以從天花板移除。

確保在鬆開折耳螺釘時支撐揚聲器，以防止揚聲器掉落。

第9步 - 將輔助支撐線連接到抗震片 - 每個揚聲器側面有一個舌片，用於連接到獨立的輔助支撐點。某些建築規範要求使用此輔助支撐點，這需要將支撐線連接到建築結構上的單獨安全支撐點。請諮詢您所在地區的建築規範。

重要提示：



Control Contractor吸頂揚聲器可以產生大量振動。應使用輔助支撐電纜連線到抗震片作為輔助支撐點，以防吊頂板或支撐結構斷裂。

第10步 - 調整抽頭選擇器 - 抽頭選擇器開關位於前擋板上。在放置網罩和向揚聲器施加信號之前調整抽頭設置。在某些安裝中，建議暫時不安裝網罩，以便最終調整系統的抽頭。

“NC” = 無連接。（不要在100V分散式系統中使用此設置）

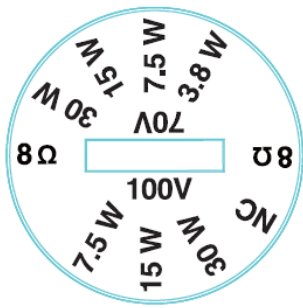


圖26：抽頭選擇器（圖示為Control 416C/T）

第11步 - 插入安全繩固定插頭並安裝網罩 - 網罩附帶一根安全繩。將安全繩開放端的固定插頭（預連接到網罩）插入擋板上的隨附插座。確保插頭完全插入插座，不會突出，以免阻擋網罩正確安裝。

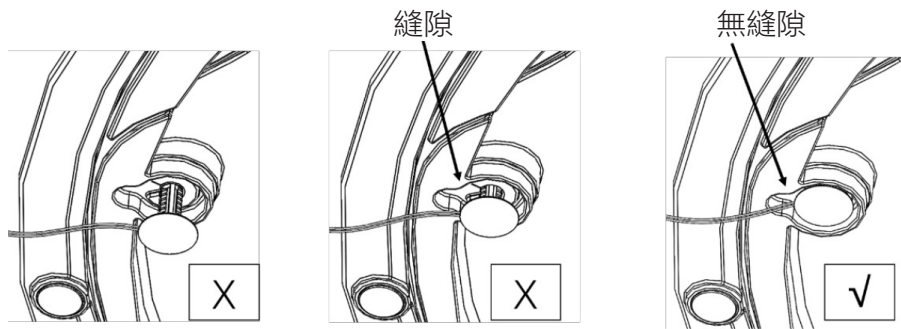


圖27：確保插頭完全插入

然後將網罩放置在揚聲器前，注意不要將安全繩直接放在驅動器前面（否則可能因振動而發出嗡嗡聲）。確保網罩通過磁力牢固固定，不會因振動而鬆動或脫落。

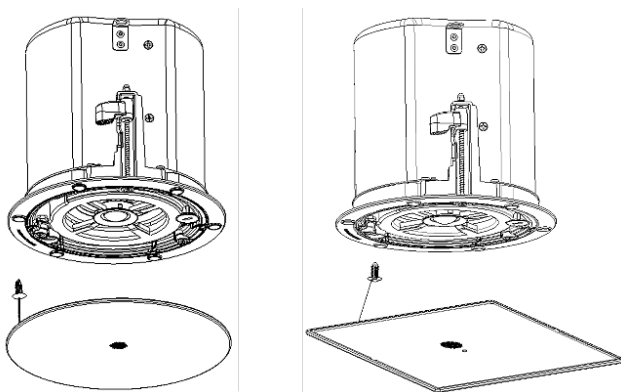


圖28：安裝網罩

6. 網罩噴塗

重要提示：



對於Control 412C/T-VA、Control 414C/T-VA和Control 416C/T-VA（生命安全型號） - 為保持阻燃等級請勿噴塗網罩或改裝出廠表面塗層。

對於其他Control Contractor標準聲場系列型號，網罩的白色飾面與大多數裝飾相得益彰，無需進一步處理。在室內設計需要時，這些網罩也很方便噴塗。網罩完全覆蓋揚聲器，因此可以在揚聲器安裝前進行噴塗。

重要提示：



請勿噴塗揚聲器的擋板。磁鐵和網罩之間有油漆會削弱磁鐵固定網罩的能力。

為獲得最佳效果，建議按照以下步驟操作：

- 輕輕從網罩背面移除網罩背襯材料，小心不要撕裂它。將其放在一邊以備噴塗後重新安裝。遮蓋或移除網罩標誌（噴塗後重新安裝）。請勿移除包邊飾條。
- 用輕溶劑（如礦物油精）清潔網罩和包邊飾條，用微濕的布擦拭。但不要使用砂紙或鋼絲絨等磨料（這會磨掉網罩的防銹鍍層）。不要使用汽油、煤油、丙酮、MEK、油漆稀釋劑、強效清潔劑或其他化學品。使用這些清潔劑可能會對網罩元件造成永久性損壞。不要打磨網罩。
- 噴塗一層或多層薄漆。注意不要堵塞穿孔（聲音需要通過孔洞發出 - 堵塞它們會影響揚聲器的音質）。
- 油漆完全乾燥後，將網罩背襯材料重新安裝到網罩背面。如果網罩背襯在拆下後收縮，請將其拉伸回原尺寸以妥善遮蓋揚聲器。如果網罩背襯在拆下後拉伸，請修剪至合適尺寸。
- 如果網罩背面剩餘的粘性不足以牢固固定背襯材料（或如果被油漆覆蓋），請在網罩背面噴塗一層非常薄的噴膠。
- 噴一點點粘合劑在網罩背面，而不是背襯材料的正面。如果某款粘合劑說明要求噴塗兩側，請使用其他粘合劑。在背襯材料正面噴塗粘合劑可能會令膠水通過穿孔暴露在空氣中，從而吸引並吸附空氣中的灰塵，影響揚聲器的清潔外觀。
- 請勿將網罩正面放在任何可能噴塗過額外粘合劑的表面上。這樣做可能會在網罩正面沉積粘合劑，同樣會吸引並吸附灰塵和污垢。
- 如果JBL標誌被移除（而不是簡單地被遮蓋），請將JBL標誌重新安裝到網罩中心。網罩中心有一個淺凹痕，指示標誌的位置。

如果天花板需要噴塗，請遮蓋揚聲器 - 揚聲器本身不應被噴塗。網罩完全覆蓋揚聲器，揚聲器的前擋板為黑色，視覺上可以完全隱匿在網罩和網罩背襯材料後面。如果天花板在揚聲器安裝後被噴塗，必須在噴塗前完全遮蓋揚聲器（包括擋板邊緣），以防止油漆接觸到驅動單元或擋板，否則透過網罩可看見不一致的顏色。

7. 維護

按照本手冊中的安裝和接線指南安裝時，無需維護。

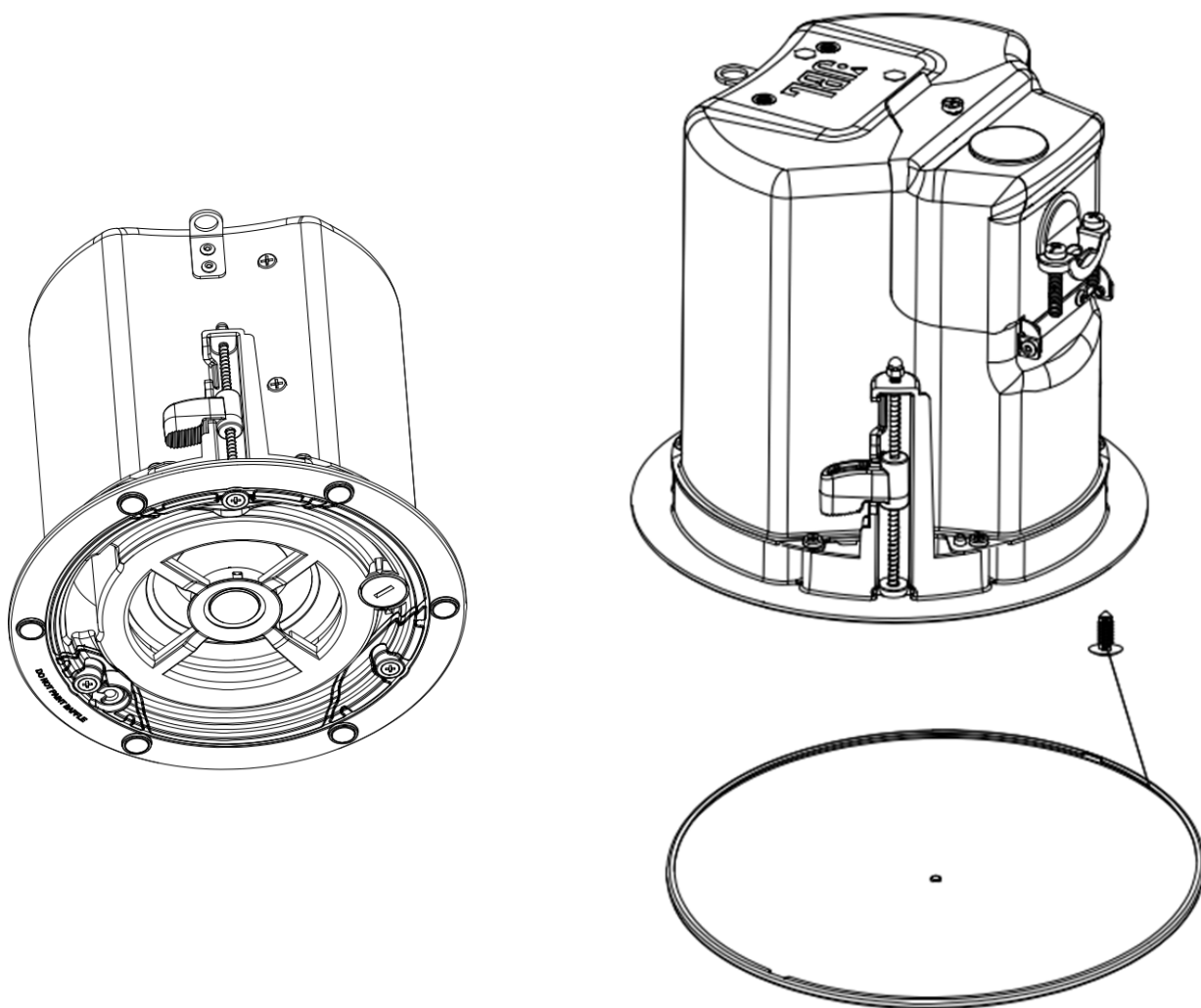
8. 替換部件



揚聲器內部沒有用戶可維修的部件。請將維修工作交給授權的JBL服務中心。有關您所在地區授權服務中心的名稱，請聯繫JBL Professional，地址如下。

Altavoces de techo de cobertura estándar JBL Control 400

Control 412C/T, Control 414C/T, Control 416C/T, Control 418C/T,
Control 412C/T-VA, Control 414C/T-VA, Control 416C/T-VA



Manual de instrucciones



1. INSTRUCCIONES IMPORTANTES DE SEGURIDAD

PRESTAR ATENCIÓN A ESTOS SÍMBOLOS:



Leer el manual previo a la utilización



El símbolo de relámpago dentro de un triángulo equilátero indica la presencia de tensiones peligrosas sin aislar dentro del equipo; voltaje suficientemente alto para constituir peligro de choque eléctrico a personas.



El signo de exclamación dentro de un triángulo equilátero hace referencia a indicaciones operativas y de mantenimiento (servicio) importantes en la literatura del producto.



Alta presión sonora. Riesgo de lesiones auditivas

ADVERTENCIA: Debe ser instalado sólo por personal instruido o capacitado utilizando equipo de montaje y salvaguardias.

1. **LEER, CONSERVAR y SEGUIR** todas las instrucciones. **ACATAR** todas las advertencias.
2. Instalar y operar sólo como se indica para evitar provocar riesgos de seguridad.
3. Este producto no ha sido concebido para uso en ambientes de humedad extrema o bajo luz solar (UV) prolongada o intensa. Si se espera que el producto esté expuesto a estas condiciones, cubrirlo adecuadamente o retirarlo de dicho ambiente.
4. Limpiar sólo con un paño seco.
5. Asegurarse que el equipo está **APAGADO** antes de realizar o eliminar cualquier conexión.
6. Fijar la rejilla del altavoz antes de encenderlo o ponerlo en marcha.
7. Para servicio y mantenimiento referirse a personal cualificado. El aparato requiere mantenimiento siempre que haya sufrido algún daño, si se hubiera derramado un líquido o hubieran caído objetos dentro del equipo, si el aparato hubiera estado expuesto a humedad o lluvia, si ha dejado de funcionar de manera normal o si ha sufrido algún golpe o caída.
8. **NO** instalar cerca de fuentes de calor o flama.
9. Usar únicamente los dispositivos o accesorios especificados por el fabricante.
10. El grado de protección IP depende de equipos adicionales, revisar minuciosamente las instrucciones de instalación correspondientes antes de operar el producto.

NOTA RAEE:



Este producto no debe ser desechado junto con otros residuos caseros. Usted es responsable de deshacerse de todos sus equipos y residuos electrónicos y eléctricos trasladándolos al punto de recogida especificado para el reciclaje de dichos residuos peligrosos. La recolección por separado y recuperación adecuada de equipos y residuos electrónicos y eléctricos permitirá ayudar a la conservación de los recursos naturales. El reciclaje adecuado de equipos y residuos electrónicos y eléctricos garantiza la salvaguarda de la salud humana y del medio ambiente. Para más información sobre como deshacerse de equipos electrónicos y eléctricos, así como puntos de recogida y recolección, por favor contactar con el ayuntamiento o servicio de reciclaje y eliminación de residuos local, la tienda donde compró el equipo o el propio fabricante del equipo.

HARMAN Professional, Inc.
8500 Balboa Blvd. Northridge, CA 91325, USA

EU: HARMAN Professional Denmark ApS
Denmark ApS, Olof Palmes Allé 44, 8200 Aarhus N, Denmark

UK: HARMAN Professional Solutions
2 Westside, London Road, Hemel Hempstead, HP3 9TD, UK

2. DESCRIPCIONES DE PRODUCTO

Gracias por adquirir los altavoces de techo JBL Control 400 de cobertura estándar.

Leer el manual para familiarizarse con las características, aplicaciones y precauciones antes de usar los productos.

Los altavoces de techo JBL Control 400 de cobertura estándar utilizan un diseño y materiales innovadores para ofrecer un rendimiento superior en altavoces de techo compactos.

El Control 412 C/T es un altavoz compacto de rango completo con transductor de banda ancha de 3". El altavoz puede configurarse para operar con baja impedancia (8 Ω) o puede ser operado mediante una línea de distribución para megafonía de 70 V o 100 V. (SKU# JBL-C412C/T)

El Control 414 C/T es un altavoz coaxial de rango completo de dos vías para techo con un woofer de 4" y tweeter de $\frac{3}{4}$ ". El altavoz puede configurarse para operar con baja impedancia (8 Ω) o puede ser operado mediante una línea de distribución para megafonía de 70 V o 100 V. (SKU# JBL-C414C/T)

El Control 416 C/T es un altavoz coaxial de rango completo de dos vías para techo con un woofer de 6,5" y tweeter de $\frac{3}{4}$ ". El altavoz puede configurarse para operar con baja impedancia (8 Ω) o puede ser operado mediante una línea de distribución para megafonía de 70 V o 100 V. (SKU# JBL-C416C/T)

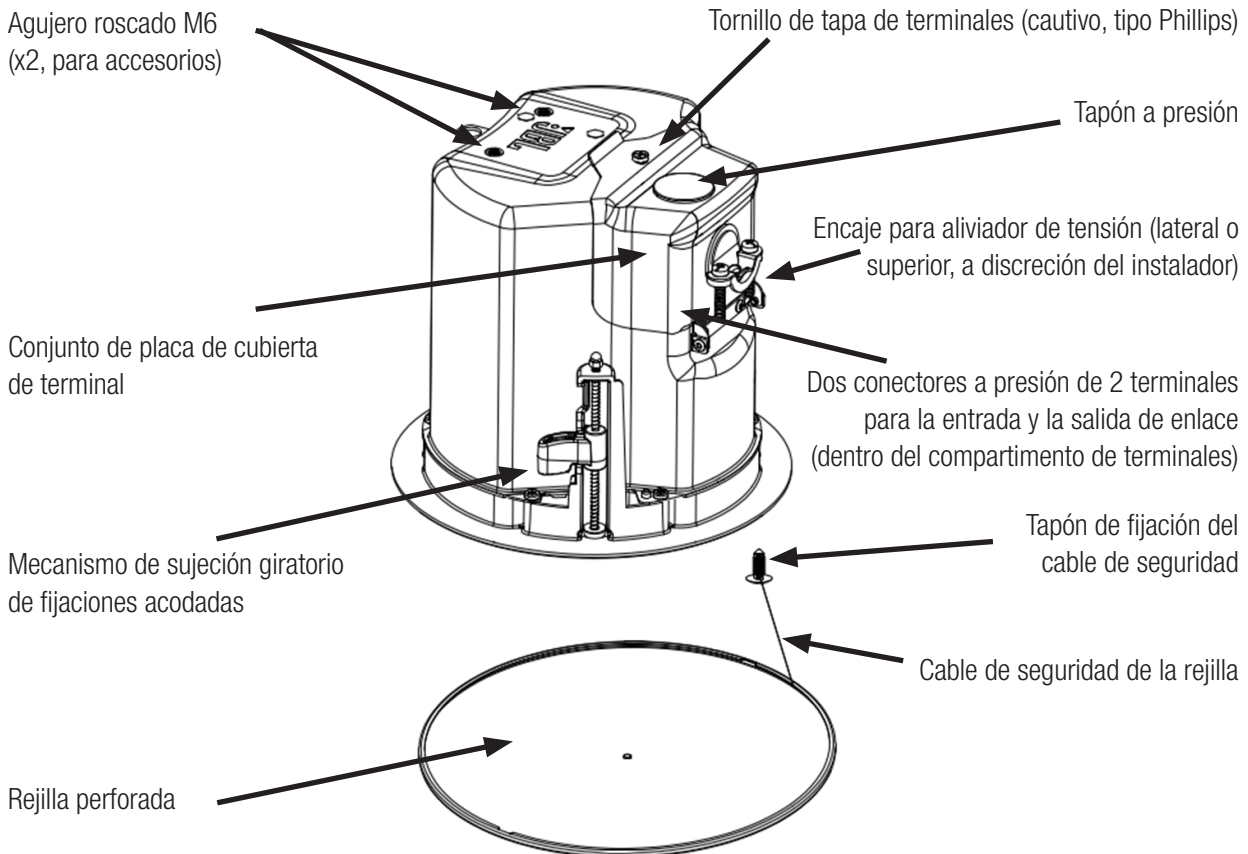
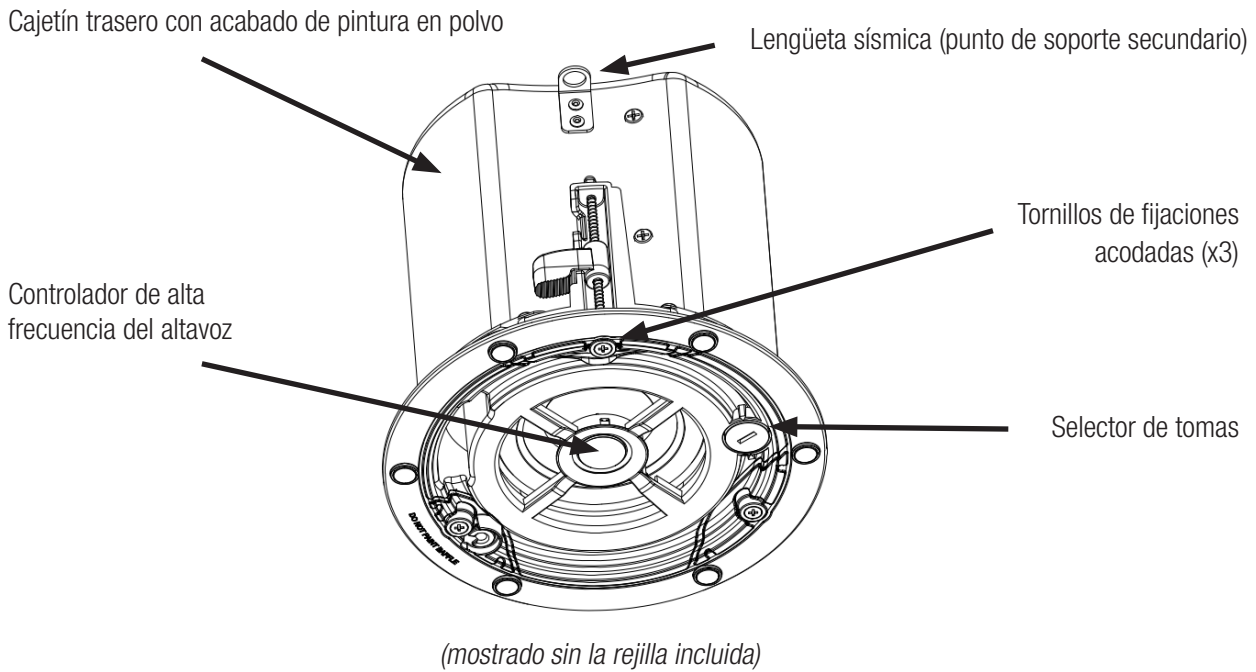
El Control 418 C/T es un altavoz coaxial de rango completo de dos vías para techo con un woofer de 8" y tweeter de 1". El altavoz puede configurarse para operar con baja impedancia (8 Ω) o puede ser operado mediante una línea de distribución para megafonía de 70 V o 100 V. (SKU# JBL-C418C/T)

El Control 412C/T-VA es una versión de seguridad del Control 412C/T que, además de cumplir con el estándar UL1480A de Altavoces para uso comercial y profesional (como todos los altavoces de esta serie), también cumple con la norma **EN54-24 de Sistemas de detección y alarma de incendios**. (SKU# JBL-C412C/T-VA)

El Control 414C/T-VA es una versión de seguridad del Control 414C/T que, además de cumplir con el estándar UL1480A de Altavoces para uso comercial y profesional (como todos los altavoces de esta serie), también cumple con la norma **EN54-24 de Sistemas de detección y alarma de incendios**. (SKU# JBL-C414C/T-VA)

El Control 416C/T-VA es una versión de seguridad del Control 416C/T que, además de cumplir con el estándar UL1480A de Altavoces para uso comercial y profesional (como todos los altavoces de esta serie), también cumple con la norma **EN54-24 de Sistemas de detección y alarma de incendios**. (SKU# JBL-C416C/T-VA)

3. IDENTIFICACIÓN DE CARACTERÍSTICAS DE PRODUCTO



4. PREPARATIVOS PARA INSTALCIÓN

En caso de ser necesario, la instalaci3n se puede llevar a cabo por completo sin precisar de acceso por arriba del techo. Se incluyen soportes de montaje para techos suspendidos o de yeso. El altavoz se mantiene firmemente en su lugar con lengüetas de montaje que se bloquean en su sitio. Las entradas y salidas de enlace al siguiente altavoz se enganchan a un conector a presi3n (incluido) que puede ser precableado antes de instalar el altavoz para una instalaci3n a presi3n ultrarrápida.

SOPORTES DE PREINSTALCIÓN OPCIONALES

EN LA MAYORÍA DE CASOS NO ES NECESARIO UTILIZAR OTROS SOPORTES QUE LOS QUE VIENEN INCLUIDOS CON EL ALTAVOZ.

El altavoz para techo Control Contractor incluye todo lo necesario para su instalaci3n en la mayoría de casos.

Sin embargo, un procedimiento que suele utilizarse para instalaciones en cart3n yeso puede ser simplificado usando los soportes de preinstalaci3n opcionales de JBL **antes de instalar el cart3n yeso**. El soporte de preinstalaci3n cuenta con un soporte al que se puede atar el cableado en su sitio detrás del cart3n yeso. Puede utilizarse como una plantilla de recorte cuando es necesario hacer muchos recortes en una instalaci3n estilo línea de producci3n. Y puede servir para guardar un lugar en el techo antes de que el cart3n yeso sea instalado. JBL Professional ofrece dos tipos de soporte de preinstalaci3n como accesorios opcionales:

1. El **SOPORTE NC NUEVA-CONSTRUCCI3N** est3 hecho de una plancha de metal con aletas de sujeci3n a la estructura de construcci3n. Hay agujeros perforados para clavos o tornillos a 406 mm (16 pulgadas) y 610 mm (24 pulgadas) de centro a centro. El instalador puede hacer m3s perforaciones a otras distancias hasta un m3ximo de 630 mm (24-3/4 pulgadas) entre sí. El cart3n yeso se instala despu3s de que el soporte sea instalado, y el soporte funciona como plantilla para hacer las perforaciones a ciegas en el cart3n yeso. Para este procedimiento el cart3n yeso normalmente se perfora con una herramienta tipo fresadora, utilizando el anillo del soporte como guía de recorte.

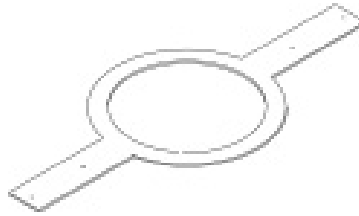


Figura 1:

Soporte opcional NC Nueva-Construcci3n

2. El **SOPORTE MR ANILLO DE YESO** cuenta con un borde que forma un canto de guía para el enlucido del cart3n yeso. El soporte tiene aletas que se sujetan a la estructura de construcci3n. El cart3n yeso normalmente es precortado o cortado con una herramienta rotativa utilizando la parte externa del círculo del anillo de yeso como guía. Posteriormente se enlucen el agujero del cart3n yeso hasta el anillo para crear un recorte continuo.

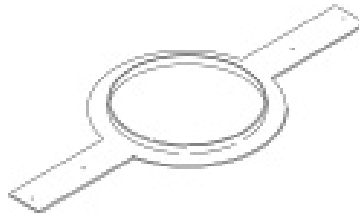


Figura 2:

Soporte opcional MR Anillo de yeso

Tabla 1: Soportes de preinstalación

| Modelo | Soporte de Nueva Construcción | Soporte Anillo de Yeso |
|---|-------------------------------|------------------------|
| Control 412C/T, Control 414C/T, Control 412C/T-VA, Control 414C/T-VA | JBL-MTC-424NC | JBL-MTC-424MR |
| Control 416C/T, Control 416C/T-VA | JBL-MTC-426NC | JBL-MTC-426MR |
| Control 418C/T | JBL-MTC-447NC | JBL-MTC-447MR |

UTILIZAR EL SOPORTE EN “C” INCLUIDO CON CARTÓN YESO

Para la mayoría de instalaciones la placa de soporte en forma de C incluida provee el refuerzo necesario para el techo, distribuyendo la fuerza de sujeción de las fijaciones acodadas. Incluso si una de las fijaciones acodadas acaba en la abertura entre los extremos de la C, el resto de fijaciones acodadas se acoplarán bien, proveyendo suficiente soporte para instalaciones de cartón yeso.

TAMAÑO DE PERFORACIONES DE TECHO

Junto con los altavoces se proveen plantillas de recorte de cartón para dibujar los agujeros en la superficie del techo.

Tabla 2: Tamaño de recortes

| Modelo | Tamaño del recorte (diámetro) |
|-----------------------------------|-------------------------------|
| Control 412C/T, Control 412C/T-VA | 168 mm (6,6 in) |
| Control 414C/T, Control 414C/T-VA | 168 mm (6,6 in) |
| Control 416C/T, Control 416C/T-VA | 223 mm (8,8 in) |
| Control 418C/T | 282 mm (11,1 in) |

REJILLAS BG (negras) y SG (cuadradas) OPCIONALES

Existen rejillas negras redondas y blancas cuadradas opcionales a disposición. Si se necesita acabado en negro, se pueden utilizar las rejillas negras redondas **JBL-MTC-xxxBG** en vez de las rejillas blancas incluidas. Alternativamente también se pueden pintar las rejillas blancas (ver abajo). Si se necesita un diseño cuadrado, se pueden utilizar las rejillas cuadradas blancas **JBL-MTC-xxxSG** en vez de las rejillas negras incluidas. Estas rejillas se pueden pintar del color deseado (incluyendo negro). Las rejillas cubren el ensamblaje de los altavoces por completo.

| Modelo | Rejillas negras redondas | Rejillas cuadradas |
|-----------------------------------|--------------------------|--------------------|
| Control 412C/T, Control 412C/T-VA | JBL-MTC-414BG | JBL-MTC-414SG |
| Control 414C/T, Control 414C/T-VA | JBL-MTC-414BG | JBL-MTC-414SG |
| Control 416C/T, Control 416C/T-VA | JBL-MTC-416BG | JBL-MTC-416SG |
| Control 418C/T | JBL-MTC-418BG | JBL-MTC-418SG |

5. INSTALACIÓN Y CONEXIÓN PASO A PASO

El sistema de instalación ha sido diseñado de manera que toda la instalación pueda ser llevada a cabo desde abajo del techo, por ejemplo, cuando no sea posible o práctico acceder a la parte superior del techo. Sin embargo, en algunos casos puede ser que se tenga acceso al techo por abajo y por arriba en diferentes fases de la instalación, con plafones desmontables, por ejemplo.

Nota: el método de cableado debe hacerse de acuerdo con:

1. En Canadá, CSA C22.1, Código eléctrico canadiense, Parte I, Norma de seguridad para instalaciones eléctricas, Sección 32
2. En Estados Unidos, NFPA 70.

Paso 1 – Cortar el agujero. Cortar el agujero del tamaño requerido utilizando la plantilla de cartón proveída o marcando el agujero mediante la tabla de medidas de arriba. Para cortar el agujero utilizar una herramienta segura, como una caladora, y protección ocular adecuada. Ser preciso, no desviándose del diámetro del agujero más de 1,5 mm (1/16 de pulgada). Pasar los cables por el agujero.

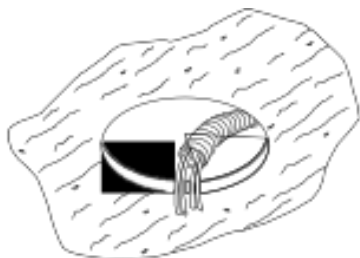


Figura 3:

Agujero recortado
(imagen de cable en conducto flexible)

Paso 2 – Insertar el material de soporte a través del agujero. En el embalaje vienen, junto con los altavoces, dos tipos de material de soporte: una placa de soporte en forma de C (“anillo en C”) y dos rieles de baldosas.

Techos falsos o suspendidos – Insertar el anillo en C a través del agujero en la baldosa (o colocar por arriba del techo, si hay acceso). Poner el anillo en C alrededor del agujero con las aletas en la posición indicada en la Figura 4. Insertar los rieles de baldosas a través del agujero en

la baldosa. Encajar los dos rieles en las dos lengüetas del anillo en C y alinear los rieles de manera que los extremos se extiendan **SOBRE** la rejilla en T en el lado de la baldosa. Fijar los rieles en las lengüetas de los anillos en C insertando un tornillo a través de cada lengüeta en el riel. Todo esto se puede realizar desde abajo de la baldosa, si fuera necesario.

POR SEGURIDAD ES IMPORTANTE UTILIZAR LOS SOPORTES

TODOS los soportes de montaje incluidos (anillos en C y rieles de baldosas) **DEBEN** ser utilizados al realizar instalaciones en techos falsos.

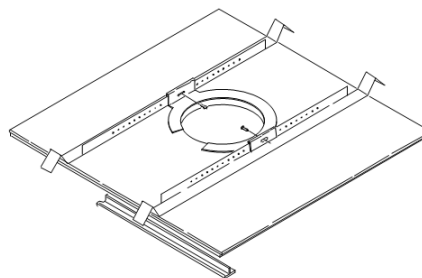


Figura 4:

Colocación de anillo en C y rieles de baldosas

Rieles de baldosas: Los rieles de baldosas han sido diseñados para adaptarse a baldosas estándar de 24 pulgadas o 600 mm de ancho. Los rieles de baldosas **NO** se fijan a los puntales de la rejilla en T, sino que la V invertida en los extremos de los rieles queda **ENCIMA** del puntal de la rejilla en T. Durante el funcionamiento normal los rieles son soportados por las orillas de la baldosa. En el caso improbable de que la baldosa se salga de su sitio o caiga, las orillas de los rieles de soporte han sido diseñados para sujetarse a la rejilla en T, proveyendo un soporte seguro para mantener el altavoz en su lugar.

También hay disponibles rieles accesorios opcionales MTC-48TRX4 (paquete de 4 rieles de baldosas) para instalación en baldosas más grandes 1200 x 1200 mm (4' x 4').

Reducción de vibración: Estos altavoces pueden producir niveles de sonido considerables que pueden provocar zumbidos en los materiales o la estructura del techo. Dependiendo de las características de las baldosas y la

estructura, el instalador puede necesitar instalar neopreno o algún otro tipo de material de amortiguación debajo de los rieles o las orillas de las baldosas para eliminar traqueteo.

Disposición de agujeros: Los rieles de baldosas han sido preperforados con agujeros de fijación a lo largo del riel. Su colocación no está limitada al centro de la baldosa, como es el caso con muchos otros sistemas de soporte con rieles de baldosas.

Tipos de techos no suspendidos – Para techos no suspendidos el anillo en C puede ser utilizado opcionalmente para apuntalar el material del techo y distribuir la fuerza de sujeción de las pinzas de las lengüetas. Insertar el anillo en C a través del agujero y ponerlo en la parte superior del agujero antes de introducir el altavoz.

Paso 3 – Enchufar conectores en las tomas de conexión en el receptáculo de terminales del altavoz.

Aflojar completamente el tornillo de retención de la TAPA DE TERMINALES que está en el panel superior del cajetín trasero. Este tornillo permanece cautivo en la tapa de terminales (no retirarlo del todo).

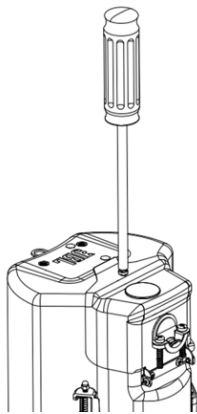


Figura 5:
Aflojar completamente el tornillo de retención de la TAPA DE TERMINALES.

Abrir la TAPA DE TERMINALES – La bisagra de la TAPA DE TERMINALES está en el lateral del cajetín trasero del Control 412C/T, Control 412C/T-VA, Control 414C/T y Control 414C/T-VA.

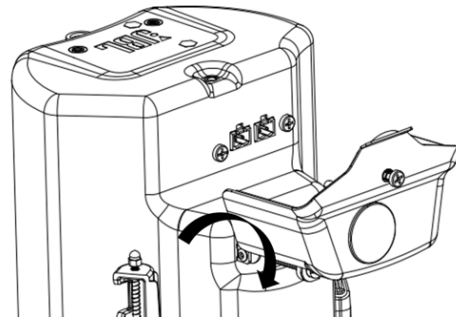


Figura 6A: Apertura de TAPA DE TERMINALES (imagen del Control 414C/T)

La bisagra de la TAPA DE TERMINALES está en el panel superior del cajetín trasero del Control 416C/T, Control 416C/T-VA, Control 418C/T.

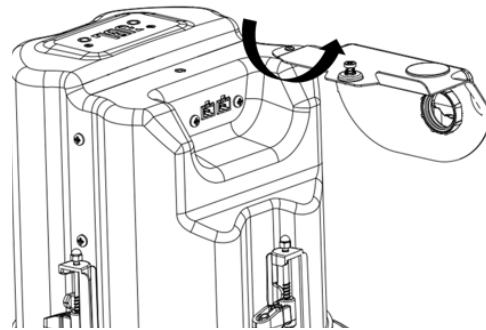


Figura 6C: Apertura de TAPA DE TERMINALES (imagen del Control 416C/T)

Ubicación del ALIVIADOR DE TENSIÓN – Para mantener el altavoz lo menos profundo posible, el ALIVIADOR DE TENSIÓN, es decir, la salida de cables, viene instalado en el costado del cajetín trasero del Control 412C/T, Control 414C/T, Control 416C/T y Control 418C/T.

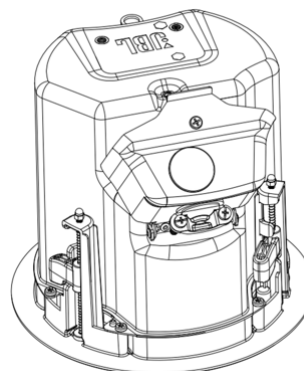


Figura 7: Aliviador de tensión en el costado por defecto
Sin embargo, opcionalmente, si el instalador quiere que el ALIVIADOR DE TENSIÓN esté en la parte superior del cajetín trasero, en vez de en el costado, seguir estas instrucciones:

OPCIONAL: MOVER EL ALIVIADOR DE TENSIÓN AL PANEL SUPERIOR (para modelos que no sean VA)

[Pasos opcionales para mover el aliviador de tensión al panel superior]

Hay dos agujeros del mismo diámetro en la tapa de terminales, uno en la parte superior y otro en el costado. De fábrica el agujero superior está provisto de un TAPÓN A PRESIÓN y el agujero lateral tiene el ensamblaje del ALIVIADOR DE TENSIÓN. Para cambiarlos, abrir la tapa de terminales y presionar hacia fuera el TAPÓN A PRESIÓN (guardarlo para más tarde).

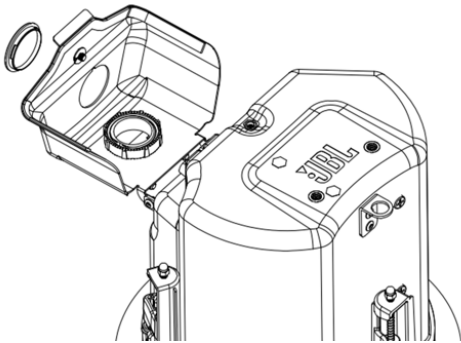


Figura 8: Presionar hacia fuera el TAPÓN A PRESIÓN

[Pasos opcionales para mover el aliviador de tensión al panel superior]

Desde dentro de la TAPA DE TERMINALES, desenroscar la tuerca sujetando el ALIVIADOR DE TENSIÓN.

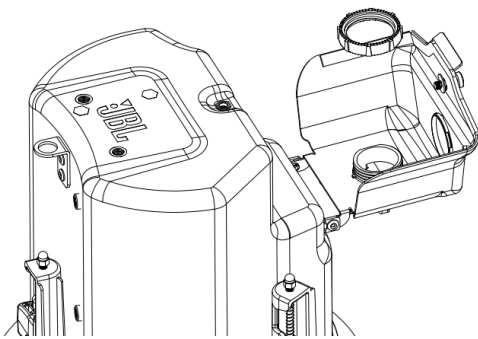


Figura 9: Desenroscar la TUERCA

[Pasos opcionales para mover el aliviador de tensión al panel superior]

Insertar el ALIVIADOR DE TENSIÓN en el agujero superior de la TAPA DE TERMINALES. Apretar la tuerca sujetando el ensamblaje del ALIVIADOR DE TENSIÓN.

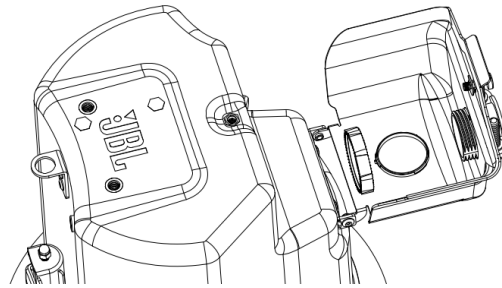


Figura 10: Mover el ALIVIADOR DE TENSIÓN a la parte superior y fijarlo

[Pasos opcionales para mover el aliviador de tensión al panel superior]

Insertar el TAPÓN A PRESIÓN en el agujero lateral de la TAPA DE TERMINALES.

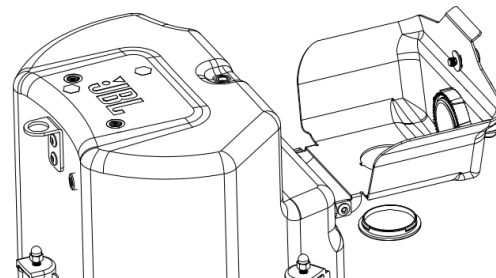


Figura 11: Insertar el TAPÓN A PRESIÓN

Para el Control 412C/T-VA, Control 414C/T-VA y Control 416C/T-VA hay dos agujeros en la parte superior de la tapa de terminales. Uno está cubierto por un TAPÓN A PRESIÓN.

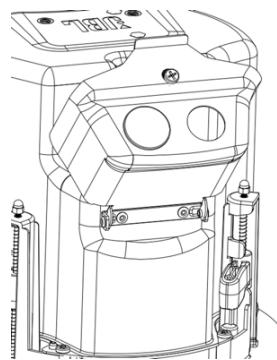


Figura 11A: Dos agujeros en la parte superior por defecto.

Instalar el sujetacables en el agujero abierto. Asegurarse que el sujetacables está correctamente fijado y apretado. Puede instalarse un segundo sujetacables (no incluido) en el otro agujero (tras quitar el TAPÓN A PRESIÓN), si se desean dos sujetacables.

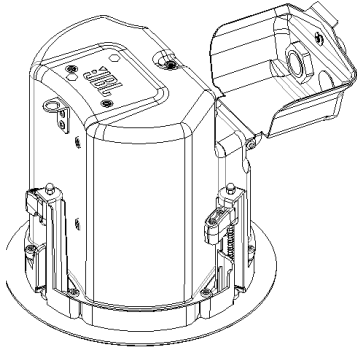


Figura 11B: Instalar el sujetacables en el agujero abierto.

Paso 4.1 – Conectar los cables con los Conectores de bloqueo extraíbles (para Control 412C/T, Control 414C/T, Control 416C/T y Control 418C/T). El altavoz incluye dos conectores de bloqueo extraíbles de 2 pines – uno para la entrada (IN) y otro para la salida de enlace (LOOP OUT). Conectar los cables a los conectores de bloqueo extraíbles quitando unos 5 mm (3/16 pulgadas) de aislamiento del cable; pelar más el cable puede resultar en cortocircuito, mientras que pelarlo menos puede resultar en una mala conexión con el conector. Insertar la punta del cable en el conector y apretar el tornillo de fijación con un destornillador plano hasta que esté bien fijo. Apretar cualquier tornillo sin utilizar para evitar vibraciones. Revisar bien que los cables no estén desgastados y que no haya cable expuesto (ya que ambos casos pueden resultar en cortocircuito).

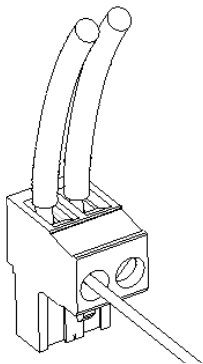


Figura 12: Conectar cables al conector de bloqueo extraíble (mostrado con cables sin revestimiento, con 2 cables de entrada)

Guía de pines para conexión - Los 2 conectores de bloqueo extraíbles de entrada contienen 2 terminales cada uno. Las funciones de los pines están indicadas en la etiqueta de la tapa de los terminales.

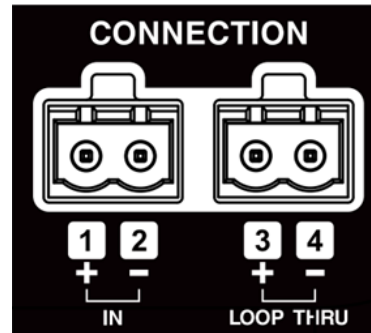


Figura 13: Pines de conector (imagen del Control 418C/T)

Los pines 1 y 2 (en uno de los conectores de 2 pines) son las entradas “+” y “-” del altavoz. Los pines 3 y 4 están conectados internamente con los pines 1 y 2, respectivamente (el pin 1 está conectado con el pin 3 y el pin 2 con el pin 4). Los pines 3 y 4 son las conexiones de enlace para los siguientes altavoces.

Para conectar los siguientes altavoces, conectar los cables del siguiente altavoz en los pines 3 y 4 (LOOP THRU).

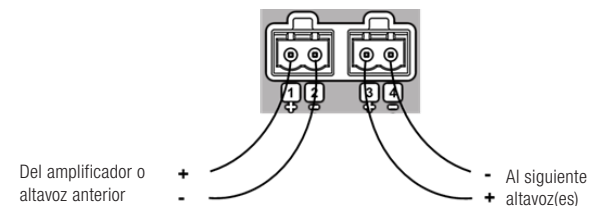


Figura 13: Pines de conector

Deslizar los conectores de 2 pines ya conectados a través del ALIVIADOR DE TENSIÓN.

Conectar el cable de altavoz a los conectores de 2 pines.

- Conector(es) – Conectar los cables de altavoz a los conectores, respetando la polaridad (+/-) correcta y asegurándose que no hay cables desgastados o conductores demasiado expuestos que pudieran causar un cortocircuito.

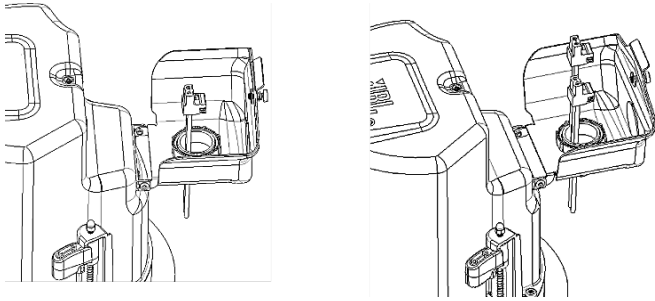


Figura 14: Deslizar cables a través del aliviador de tensión

- Si se desea clasificación IP33 utilizar protectores de goma y seguir estas instrucciones:

[Pasos opcionales para conectar los cables a los conectores de bloqueo extraíbles]

Deslizar los cables a través del aliviador de tensión de afuera hacia adentro.

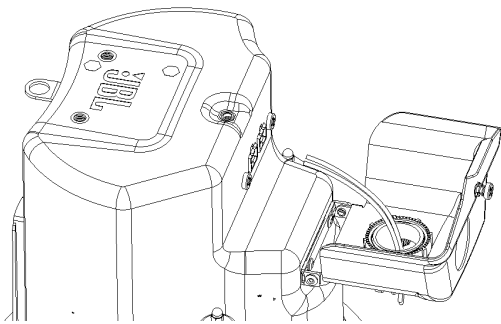


Figura 15: Deslizar cables a través del aliviador de tensión

[Pasos opcionales para conectar los cables a los conectores de bloqueo extraíbles]

Deslizar los cables a través del protector de goma desde la abertura cuadrada pequeña y hacia afuera por la otra abertura.

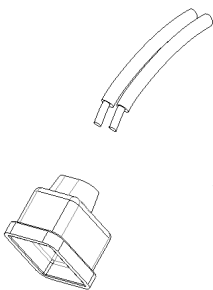


Figura 16: Deslizar los cables a través de los protectores de goma

[Pasos opcionales para conectar los cables a los conectores de bloqueo extraíbles]

Conectar el cable al conector.

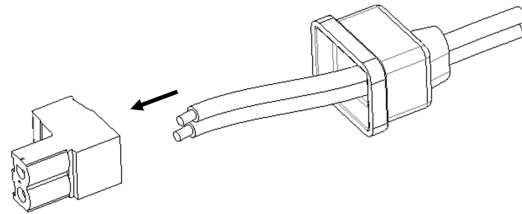


Figura 17: Conectar el cable al conector

[Pasos opcionales para conectar los cables a los conectores de bloqueo extraíbles]

Cerrar el conector con el destornillador.

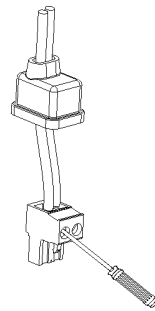


Figura 18: Asegurar el conector con el destornillador

[Pasos opcionales para conectar los cables a los conectores de bloqueo extraíbles]

Deslizar el protector de goma cerca de la clavija

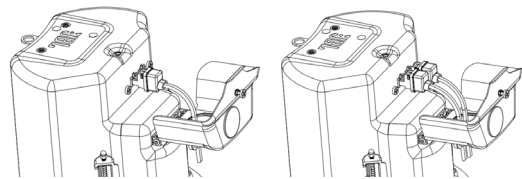


Figura 19: Deslizar el protector de goma cerca de la clavija

[Pasos opcionales para conectar los cables a los conectores de bloqueo extraíbles]

Añadir pegamento de silicona en la abertura del protector de goma como se indica para sellar la junta.

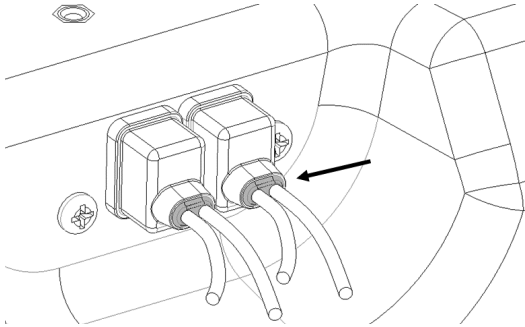


Figura 19A: Añadir pegamento de silicona

Paso 4.2 – Conectar los cables con los conectores de bloqueo extraíbles (para Control 412C/T-VA, Control 414C/T-VA y Control 416C/T-VA). Hay un bloque cerámico de terminales acoplado al altavoz. Quitar unos 5 mm (3/16 pulgadas) del aislamiento. NO pelar el cable más que esto. Introducir la parte pelada del cable en el conector (cuidando que no quede nada del cable pelado fuera del conector). Sólo utilizar el lado de los terminales donde no haya ya cables conectados.

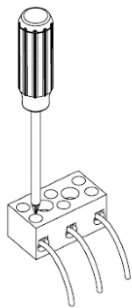


Figura 19A: Conectar cables al bloque cerámico de terminales

(El cable derecho que aparece en el diagrama es opcional. Sólo debe ser conectado si el chasis del transductor ha de ser conectado a una toma de tierra de seguridad.)

Añadir un segundo conjunto de cables en paralelo en los mismos terminales si se desea enlazar otro altavoz. Apretar el tornillo de fijación con un destornillador tipo Phillips

hasta que esté bien fijo. Apretar cualquier tornillo sin utilizar para evitar ruidos por vibraciones.

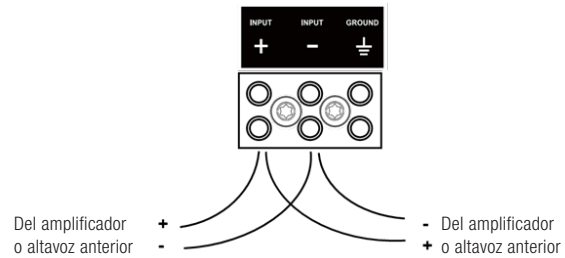


Figura 19B: Conectar dos conjuntos de cables al Bloque cerámico de terminales para enlazar a un altavoz subsecuente.

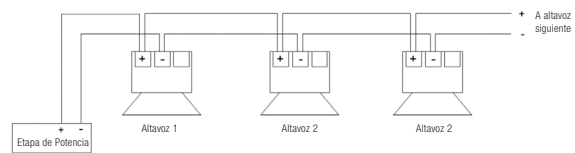


Figura 19C: Conexiones en paralelo de múltiples altavoces para sistemas de altavoces distribuidos de 70 V o 100 V.

Guía de pines para conexión - El Bloque cerámico de terminales cuenta con 3 terminales, como se indica en el conector: + INPUT (positivo), - INPUT (negativo) y GROUND (tierra).

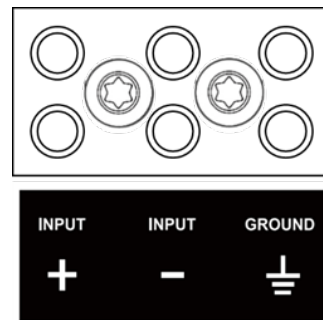


Figura 19D: Terminales

Paso 5 – Conectar los conectores precableados de 2 pines en las TOMAS de 2 pines. Respetar la polaridad positiva/negativa correcta y orientar los conectores de acuerdo con la etiqueta.

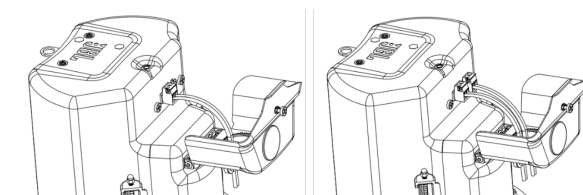


Figura 20: Enchufar los conectores en las tomas sin

protectores de goma

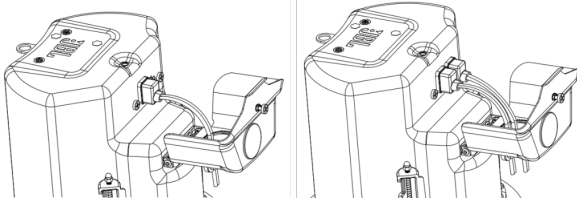


Figura 21: Enchufar los conectores en las tomas y mover los protectores de goma para cubrir los conectores, si se usan conectores de goma

Paso 6 – Cerrar y asegurar TAPA DE TERMINALES.

Cerrar la tapa de terminales y asegurarla con el tornillo que está cautivo en la TAPA DE TERMINALES.

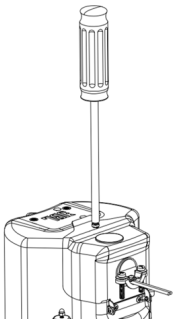


Figura 22: Cierre de TAPA DE TERMINALES y apriete de tornillo

Paso 7 – Apretar el mecanismo de fijación del ALIVIADOR DE TENSIÓN con los 2 tornillos incluidos.

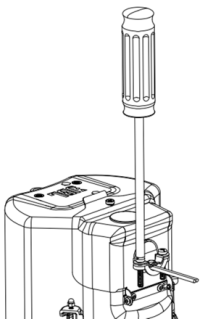


Figura 23: Apriete del mecanismo de fijación del Aliviador de tensión

(mostrado con ALIVIADOR DE TENSIÓN en la posición lateral y con cables sin revestimiento)

IMPORTANTE:



Siempre seguir los códigos y la normativa de construcción que apliquen en la región y para el tipo de construcción en cuestión.

Paso 8 – Insertar el altavoz en el techo y apretar.

Introducir el altavoz en el agujero del techo hasta el tope, hasta que la parte trasera del borde del bafle delantero toque el techo.

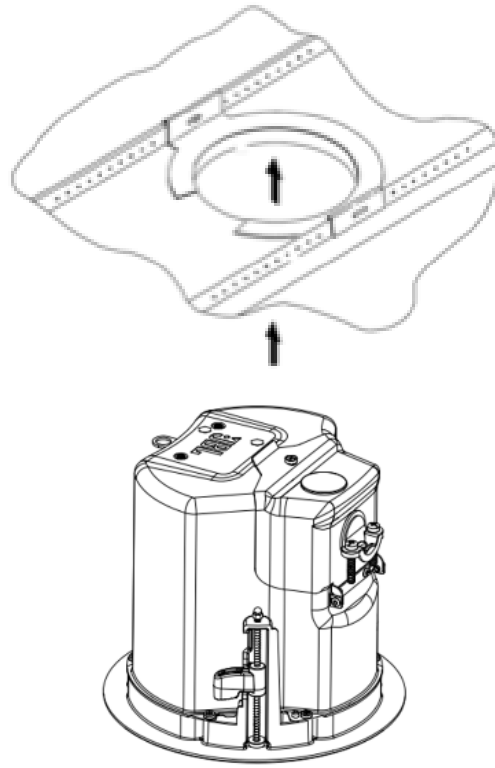


Figura 24: Introducir el altavoz a través del agujero en el techo

Apretar fijaciones acodadas - IMPORTANTE - PRIMERO girar ½ vuelta EN SENTIDO ANTIHORARIO para liberar la lengüeta de montaje de la fijación acodada de su posición de almacenamiento.

Después, apretar las lengüetas de montaje girando el tornillo EN SENTIDO HORARIO hasta que quede bien ajustado a la superficie del techo. Ajustar el par de torsión dependiendo de las características del material del techo.

NO APRETAR EN EXCESO.

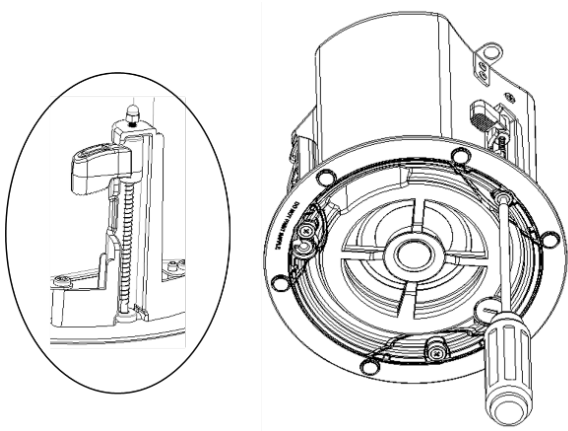


Figura 25: Apriete de lengüetas de montaje de fijaciones acodadas

Número de fijaciones acodadas, por modelo

| Modelo | Número de tornillos para fijaciones acodadas |
|--|--|
| Control 412C/T, Control 412C/T-VA, Control 414C/T, Control 414C/T-VA | 3 fijaciones acodadas |
| Control 416C/T, Control 416C/T-VA, Control 418C/T | 4 fijaciones acodadas |

Para uso en techos gruesos – Por defecto las fijaciones acodadas están a la mitad del recorrido y para la mayoría de grosores de techo pueden utilizarse tal cual. Para techos gruesos en los que las lengüetas deben estar en la posición más alta, antes de introducir el altavoz a través del agujero en el techo, girar todos los tornillos EN SENTIDO ANTIHORARIO hasta llegar al tope (asegurándose que la lengüeta no se queda a la mitad).

Al quitar el altavoz, girar todos los tornillos de la fijación acodada EN SENTIDO ANTIHORARIO hasta que el tornillo llegue al tope. Una vez que todos los tornillos hayan llegado al tope las fijaciones acodadas estarán plegadas y el altavoz puede desmontarse del techo.

Asegurarse de sostener el altavoz al aflojar los tornillos de las fijaciones acodadas para prevenir que caiga el altavoz.

Paso 9 – Conectar una Línea de soporte secundaria a la LENGÜETA SÍSMICA. Cada altavoz cuenta con una lengüeta lateral para conectarlo a un punto de soporte secundario independiente. Algunas normativas de construcción exigen la utilización de un punto de soporte secundario, que supone conectar una línea de soporte a un punto de soporte

secundario independiente en la estructura del edificio. Consultar las normativas de construcción de la región.

IMPORTANTE:



Los altavoces para techo Control Contractor pueden generar vibraciones considerables. Debe usarse un cable de soporte secundario con la lengüeta sísmica como punto de soporte secundario en caso de que la baldosa o estructura de soporte se rompa.

Paso 10 – Ajustar selector de tomas. El selector de tomas se encuentra en la parte delantera del bafle. Ajustar la configuración de tomas antes de colocar la rejilla y antes de enviar señales al altavoz. En algunas instalaciones es recomendable no colocar las rejillas para poder hacer ajustes finales de las tomas del sistema.

“NC” = Sin conexión. (no utilizar este ajuste con un sistema distribuido de 100 V)

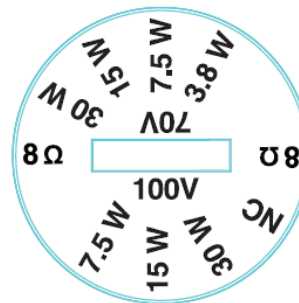


Figura 26: Selector de tomas (imagen del Control 416C/T)

Paso 11 – Insertar el tapón con cable de seguridad y fijar la rejilla. La rejilla viene con un cable de seguridad amarrado. Insertar el tapón de fijación en la parte abierta del cable de seguridad (que viene prefijado a la rejilla) en la cavidad correspondiente del bafle. Asegurarse que el tapón está completamente dentro de la cavidad y que no sobresale, evitando que la rejilla se fije adecuadamente.

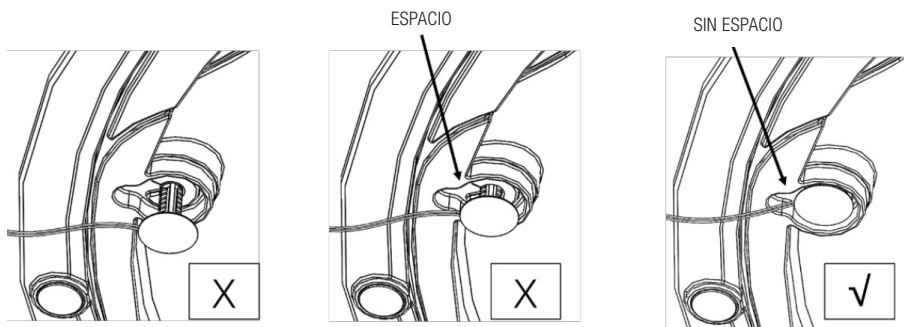


Figura 27: Asegurarse que el tapón está bien insertado

Luego, colocar la rejilla delante del altavoz asegurándose que el cable del tapón de sujeción no queda delante de alguno de los transductores del altavoz (si no podría zumbear con la vibración). Asegurarse que la rejilla está bien fijada magnéticamente para que no se suelte o caiga debido a la vibración.

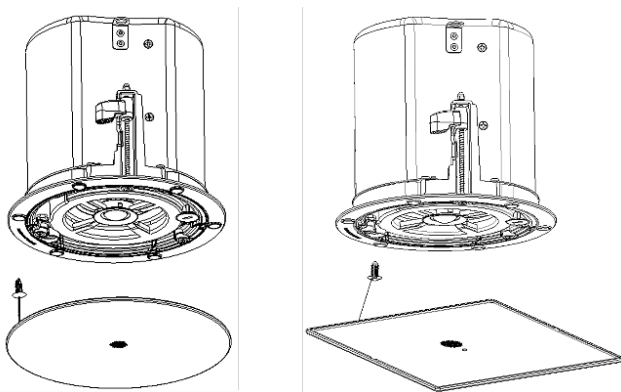


Figura 28: Fijar la rejilla

6. PINTAR LA REJILLA

IMPORTANTE:



Para Control 412C/T-VA, Control 414C/T-VA y Control 416C/T-VA (modelos de seguridad) – Para mantener el índice de inflamabilidad NO pintar la rejilla o cambiar el acabado de fábrica.

Para los modelos de la serie Control Contractor Standard Coverage el color blanco de la rejilla combina bien con la mayoría de decoraciones y no necesita más retoques. Pero si el diseño interior lo requiere, las rejillas se pueden pintar fácilmente. La rejilla cubre el altavoz entero así que puede pintarse antes de instalar el altavoz.

IMPORTANTE:



NO pintar el baffle del altavoz. Si hay pintura entre el imán y la rejilla esto podría disminuir la habilidad de los imanes de sostener la rejilla.

Para obtener los mejores resultados recomendamos usar el siguiente procedimiento:

- Retirar suavemente el material de soporte en la parte trasera de la rejilla, sin rasgarlo. Guardarlo para volverlo a poner después de pintar. Enmascarar o quitar el logotipo de la rejilla (para volverlo a poner después de pintar). NO quitar el material del borde.
- Limpiar la rejilla y el borde con un disolvente suave, como aguarrás mineral, frotando el artículo con un trapo ligeramente humedecido. Pero no utilizar abrasivos como papel de lija o lana de acero (que pueden eliminar el enchapado antioxidante de la rejilla). No utilizar gasolina, queroseno, acetona, butanona, diluyente de pintura, detergentes abrasivos u otro tipo de químicos. El uso de este tipo de limpiadores puede resultar en daños al ensamblaje de la rejilla. No lijar la rejilla.
- Aplicar una o más capas de pintura delgadas. Asegurarse de no rellenar las perforaciones (son necesarias para que el sonido pase a través de la rejilla y obstruirlas afectará la calidad de sonido del altavoz).
- Una vez que la pintura se ha secado del todo, volver a colocar el material de soporte en la parte trasera de la rejilla. Si el material de soporte se ha encogido estirarlo para que quede del tamaño adecuado nuevamente. Si el material de soporte se ha expandido, recortarlo al tamaño adecuado.
- Si la adherencia en la parte trasera de la rejilla no es suficiente para mantener el material de soporte en su lugar (o si ha sido cubierta por la pintura), aplicar una capa muy ligera de adhesivo en aerosol a la parte trasera de la rejilla.
- Aplicar el adhesivo suavemente en la PARTE TRASERA DE LA REJILLA en vez de en la parte delantera del material de soporte. Si el adhesivo indica que se debe aplicar en ambas partes utilizar un adhesivo diferente. Aplicar adhesivo en la parte delantera del material de soporte puede exponer el pegamento al aire libre a través de las perforaciones, lo que podría atraer y retener polvo del aire, deteriorando el aspecto físico del altavoz.
- NO poner el frente de la rejilla en una superficie donde se haya aplicado otros adhesivos. El hacerlo puede suponer que quede adhesivo en la parte delantera de la rejilla y, de igual manera, atraer y retener polvo y suciedad.
- Si el logotipo de JBL fue retirado (en vez de solo enmascarado), volver a colocar el logotipo de JBL en el centro de la rejilla. Hay una pequeña hendidura en el centro de la rejilla que indica dónde va el logotipo.

Enmascarar el altavoz al pintar el techo – El altavoz en sí no debería pintarse. La rejilla cubre el altavoz por completo y el baffle delantero del altavoz es negro para desaparecer visualmente detrás de la rejilla y el material de soporte de la rejilla. Si se pinta el techo tras la instalación del altavoz, es importante enmascarar los altavoces por completo (incluyendo las orillas del baffle) antes de pintar el techo, de manera que no quede pintura en los transductores o en el baffle ya que esto podría resultar en inconsistencias de color visibles a través de la rejilla.

7. MANTENIMIENTO

No se necesita ningún tipo de mantenimiento si se ha instalado siguiendo las indicaciones de instalación y cableado descritas en este manual.

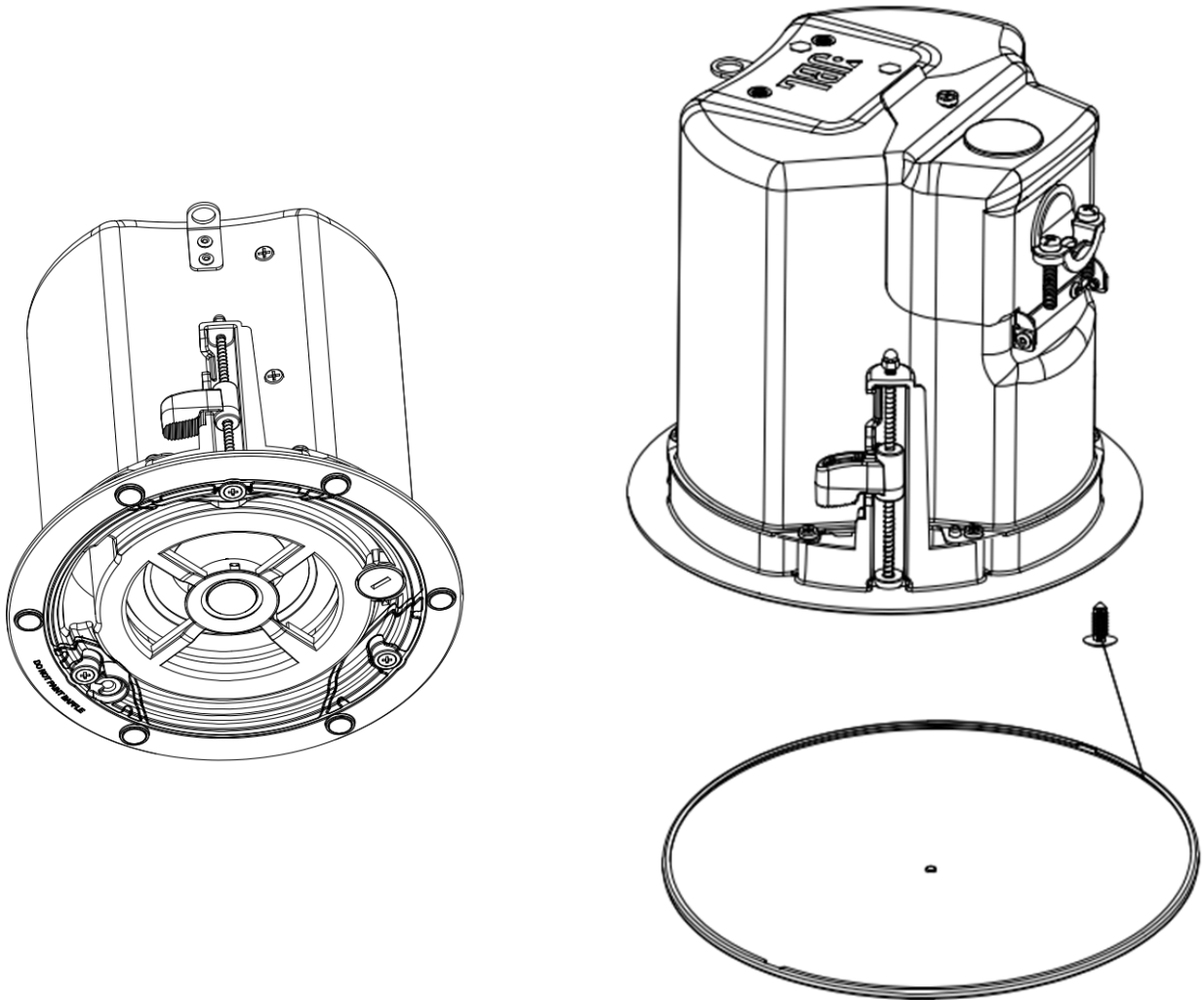
8. PARTES DE REPUESTO



Para saber cuáles son los Centros de Servicio autorizados en su área, contactar con JBL Professional en la dirección más apropiada de las indicadas en la [página 105](#).

JBL Control 400 Standard Coverage 시리즈 천장형 라우드 스피커

Control 412C/T, Control 414C/T, Control 416C/T, Control 418C/T,
Control 412C/T-VA, Control 414C/T-VA, Control 416C/T-VA



사용 설명서



1. 중요 안전 지침

기호 찾아보기:



사용 전에 설명서를 읽으십시오.



정삼각형 안쪽 화살촉 모양 번개 기호는 제품 외장 내부에 절연되지 않은 “위험한 전압”이 있어 감전 위험이 발생할 수 있음을 사용자에게 경고합니다.



정삼각형 안쪽 느낌표는 제품에 동봉된 문서에 중요한 작동 및 유지보수(수리) 지침이 포함되어 있음을 사용자에게 알립니다.



높은 음압. 청각 손상 위험.

경고: Harman 에서 승인한 장착 하드웨어와 안전 장치를 사용하여, 지시받거나 숙련된 사람만 설치해야 합니다.

1. 모든 지침을 읽고, 준수하고, 따르십시오. 모든 경고에 유의하십시오.
2. 안전상의 위험 방지를 위해 지침에 따라서만 설치 및 작동하십시오.
3. 이 제품은 습도가 높은 환경이나 장시간/강렬한 자외선(UV) 환경에서 사용하도록 고안되지 않았습니다. 이러한 조건에 노출될 것으로 예상되는 경우, 제품을 적절히 덮거나 다른 장소로 옮기십시오.
4. 마른 천으로만 닦으십시오.
5. 연결 또는 분리하기 전에 항상 모든 장비가 꺼져 있는지 확인하십시오.
6. 기기 전원을 켜거나 사용하기 전에 스피커 그릴을 제자리에 고정하십시오.
7. 모든 수리 작업은 유자격 수리 직원에게 문의하십시오. 액체나 물체가 내부에 들어갔거나, 비나 습기에 노출되었거나, 비정상적으로 작동하거나, 떨어뜨리는 등 어떤 방식으로든 장치가 손상되면 수리가 필요합니다.
8. 열원이나 화기 근처에 설치하지 마십시오.
9. 제조업체에서 지정한 부착물/부속품만 사용하십시오.
10. Ingress Protection 등급(IP 등급)은 추가 하드웨어에 따라 달라지므로 제품 작동 전에 설치 지침을 철저히 검토하십시오.

WEEE 지침:



다른 일반 쓰레기와 함께 이 제품을 버리면 안 됩니다. 사용자에게는 모든 전자 또는 전기 폐기 장비를 지정된 유해 폐기물 재활용 수거 지점에 폐기할 책임이 있습니다. 폐기 시 전자 및 전기 폐기 장비를 분리수거하고 적절하게 회수하면 천연 자원 보존에 도움이 될 수 있습니다. 또한, 전자 및 전기 폐기 장비를 적절히 재활용하면 인체 건강과 환경 안전을 보장할 수 있습니다. 전자 및 전기 폐기 장비의 폐기, 회수, 수거 지점에 대한 자세한 정보는 관할 관공서, 가정용 폐기물 처리 서비스, 장비 구입 상점, 또는 장비 제조업체에 문의하십시오.

HARMAN Professional, Inc.
8500 Balboa Blvd. Northridge, CA 91325, USA

EU: HARMAN Professional Denmark ApS
Denmark ApS, Olof Palmes Allé 44, 8200 Aarhus N, Denmark

UK: HARMAN Professional Solutions
2 Westside, London Road, Hemel Hempstead, HP3 9TD, UK

2. 제품 설명

JBL Control 400 Standard Coverage 시리즈 천장형 라우드스피커를 구매해 주셔서 감사합니다.

제품 사용 전에 이 설명서를 읽고 기능, 용도, 주의 사항을 숙지하십시오.

JBL Control 400 Standard Coverage 시리즈 천장형 라우드스피커는 혁신적인 디자인과 소재를 활용하여 소형 천장형 스피커에서 프리미엄 수준의 성능을 제공합니다.

Control 412C/T는 3인치 광대역 드라이버를 장착한 콤팩트형 플레인지 천장형 스피커입니다. 이 스피커는 로우 임피던스(8Ω) 작동으로 설정하거나 70V 또는 100V 분산형 스피커 라인으로 구동할 수 있습니다. (SKU#: JBL-C412C/T)

Control 414C/T는 4인치 우퍼와 3/4인치 트위터를 장착한 2웨이 동축 플레인지 천장형 스피커입니다. 이 스피커는 로우 임피던스(8Ω) 작동으로 설정하거나 70V 또는 100V 분산형 스피커 라인으로 구동할 수 있습니다. (SKU#: JBL-C414C/T)

Control 416C/T는 6.5인치 우퍼와 3/4인치 트위터를 장착한 2웨이 동축 플레인지 천장형 스피커입니다. 이 스피커는 로우 임피던스(8Ω) 작동으로 설정하거나 70V 또는 100V 분산형 스피커 라인으로 구동할 수 있습니다. (SKU#: JBL-C416C/T)

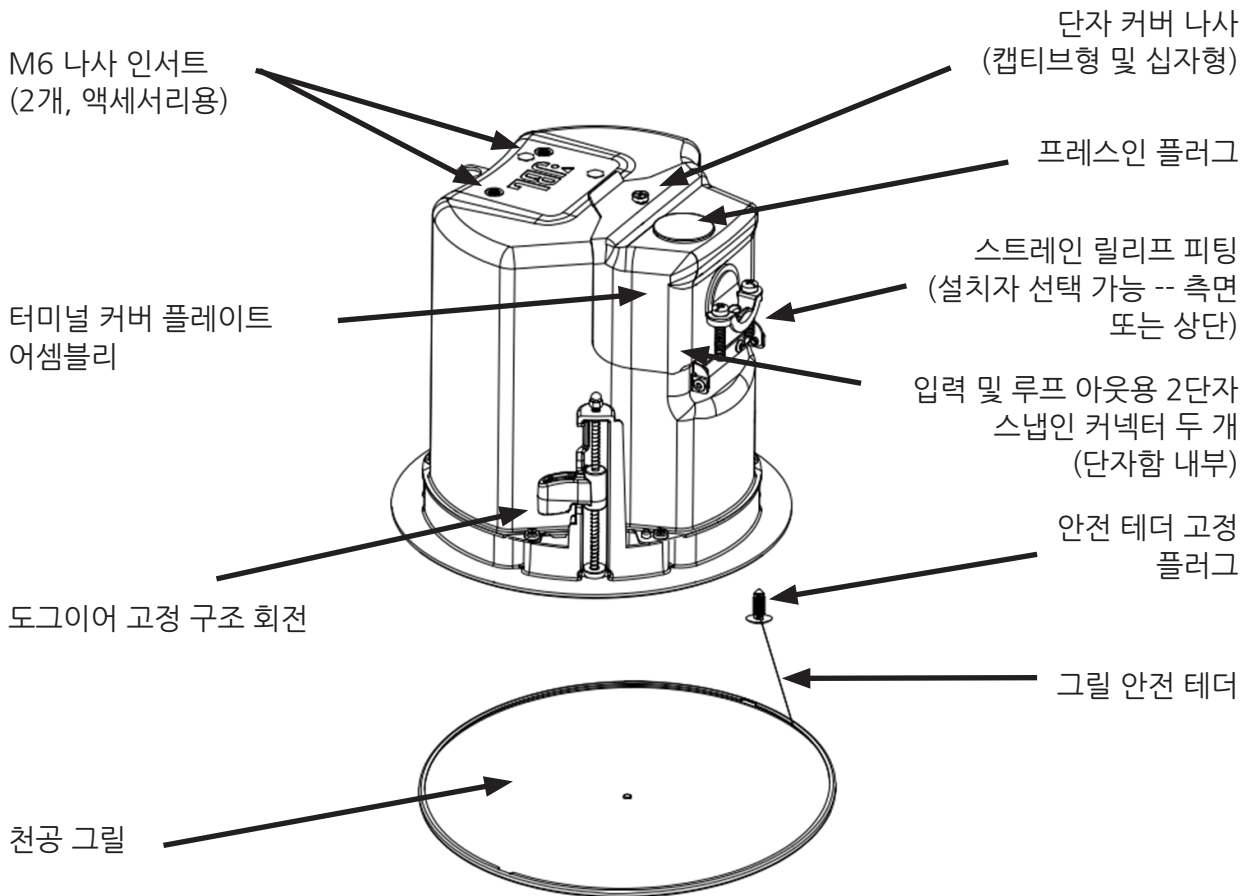
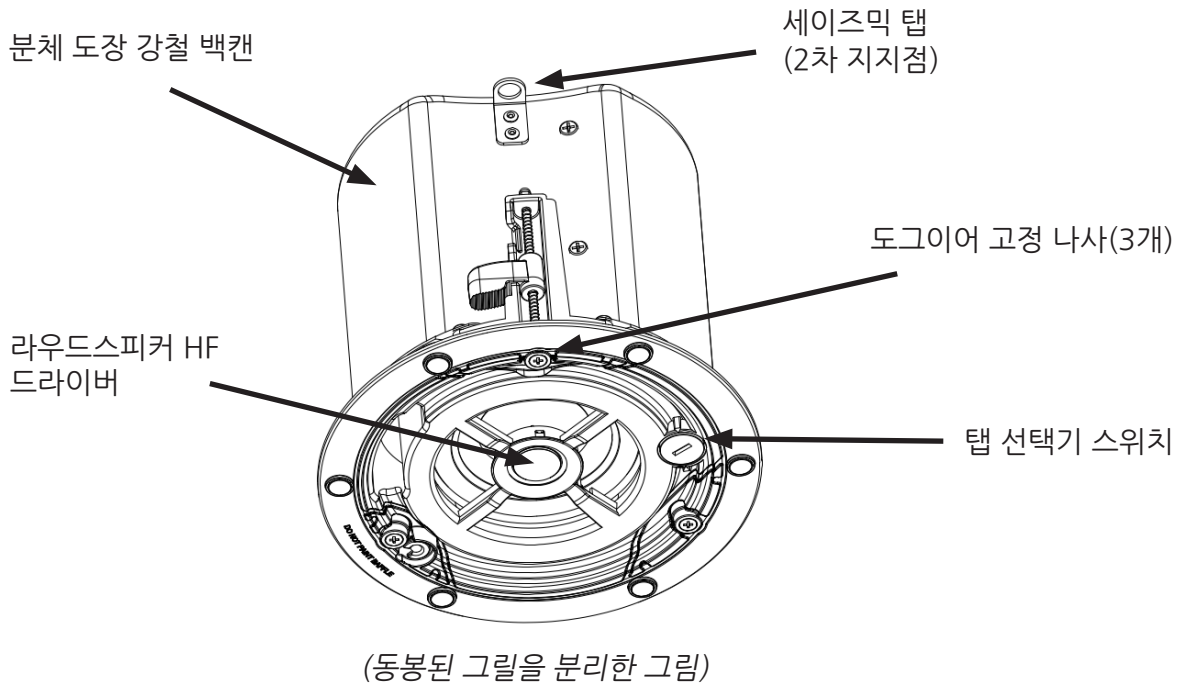
Control 418C/T는 8인치 우퍼와 1인치 트위터를 장착한 2웨이 동축 플레인지 천장형 스피커입니다. 이 스피커는 로우 임피던스(8Ω) 작동으로 설정하거나 70V 또는 100V 분산형 스피커 라인으로 구동할 수 있습니다. (SKU#: JBL-C418C/T)

Control 412C/T-VA는 Control 412C/T의 생명 안전 버전으로, 이 시리즈의 모든 스피커가 준수하는 UL1480A Commercial and Professional Use(UL1480A 상업용 및 전문가용 스피커)뿐 아니라 **EN54-24 Fire Detection and Fire Alarm Systems(EN54-24 화재 감지 및 화재 경보 시스템)**도 준수합니다. (SKU#: JBL-C412C/T-VA)

Control 414C/T-VA는 Control 414C/T의 생명 안전 버전으로, 이 시리즈의 모든 스피커가 준수하는 UL1480A Commercial and Professional Use(UL1480A 상업용 및 전문가용 스피커)뿐 아니라 **EN54-24 Fire Detection and Fire Alarm Systems(EN54-24 화재 감지 및 화재 경보 시스템)**도 준수합니다. (SKU#: JBL-C414C/T-VA)

Control 416C/T-VA는 Control 416C/T의 생명 안전 버전으로, 이 시리즈의 모든 스피커가 준수하는 UL1480A Commercial and Professional Use(UL1480A 상업용 및 전문가용 스피커)뿐 아니라 **EN54-24 Fire Detection and Fire Alarm Systems(EN54-24 화재 감지 및 화재 경보 시스템)**도 준수합니다. (SKU#: JBL-C416C/T-VA)

3. 제품 특징 안내



4. 설치 준비

필요에 따라, 천장 위에 올라가지 않고도 전체 설치를 완료할 수 있습니다. 매립형 천장이나 석고 보드 천장에 사용할 수 있는 브래킷이 포함되어 있습니다. 스피커는 “도그이어” 고정 탭으로 제자리에 견고하게 고정됩니다. 입력 단자 및 다음 스피커로 연결되는 루프 아웃 단자는 스냅인 커넥터(동봉)에 연결되어 있으며, 스피커 설치 전에 미리 배선할 수 있어 매우 빠른 스냅온 설치가 가능합니다.

옵션 사전 설치 브래킷

대부분의 경우, 스피커에 동봉되지 않은 브래킷은 필요하지 않습니다.

이러한 라우드스피커 설치에 필요한 모든 것은 대부분 Control Contractor 천장형 스피커와 함께 제공됩니다.

다만, 석고 보드(석고 패널) 천장에 설치할 때 종종 사용하는 특정 설치 방식은 **석고 보드 설치 전에** JBL의 옵션 사전 설치 브래킷을 사용하여 더 수월하게 진행할 수 있습니다. 사전 설치 브래킷에는 석고 보드 뒤편에 전선을 고정할 수 있는 브래킷이 있습니다. 생산 라인 방식 설치에서 다량의 절단부를 만들어야 할 때는 이 브래킷을 절단부 템플릿으로 사용할 수 있습니다. 또한 석고 보드 설치 전에 천장에 위치를 미리 확보해둘 수 있습니다. JBL Professional에서는 다음과 같은 두 가지 유형의 사전 설치 브래킷을 옵션 부속품으로 제공합니다.

1. 옵션 NC NEW-CONSTRUCTION BRACKET (신축 건물용 브래킷)은 평평한 금속판으로 제작되었으며, 건물 구조물에 부착할 수 있는 날개가 달려 있습니다. 못이나 나사를 박을 구멍은 중심에서 각각 16인치(406 mm)와 24인치(610 mm) 지점에 뚫습니다. 시공자는 최대 24-3/4인치(630 mm) 간격까지 다른 위치에 추가로 구멍을 뚫을 수 있습니다. 석고 보드는 브래킷 설치 후에 설치하며, 브래킷은 석고 보드에 구멍을 뚫는 보이지 않는 블라인드 절단부 템플릿 역할을 합니다. 이 절차를 위해, 석고 보드는 일반적으로 브래킷 링을 절단부 가이드로 사용하여 라우터형 절단 도구로 절단합니다.

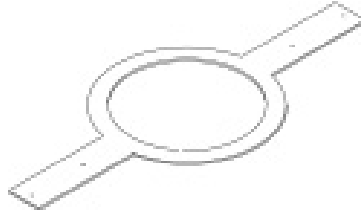


그림 1:
옵션 NC 신축 건물용 브래킷

2. 옵션 MR PLASTER-RING BRACKET(MR 플라스터 링 브래킷, 일명 “머드 링”)에는 원형 오프셋이 포함되어 있어 석고 보드 퍼티의 가장자리 가이드 역할을 합니다. 이 브래킷에는 건물 구조물에 부착하는 날개가 있습니다. 석고 보드는 일반적으로 미리 절단하거나 회전식 절단 공구를 사용해 플라스터 링 원형의 외곽선을 가이드 삼아 절단합니다. 그런 다음 석고 보드 구멍 가장자리를 링에 맞춰 퍼티(또는 “머드”)로 마감하면 매끄러운 절단부가 완성됩니다.

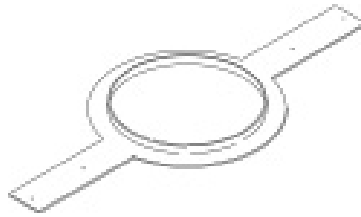


그림 2:
옵션 MR(“머드 링”) 플라스터 링 브래킷

표 1: 사전 설치 브래킷

| 모델 | 신축 건물용 브래킷 | 플라스터 링 브래킷 |
|---|---------------|---------------|
| Control 412C/T, Control 414C/T, Control 412C/T-VA, Control 414C/T-VA | JBL-MTC-424NC | JBL-MTC-424MR |
| Control 416C/T, Control 416C/T-VA | JBL-MTC-426NC | JBL-MTC-426MR |
| Control 418C/T | JBL-MTC-447NC | JBL-MTC-447MR |

석고 보드에 동봉된 C-브래킷 사용

대부분의 설치에서는 동봉된 C-형 지지판이 천장 소재에 충분한 보강 역할을 하며, 도그이어의 클램핑 힘을 고르게 분산시켜 줍니다. 도그이어 한쪽이 C-형 지지판 끝 사이의 빈 공간에 걸리더라도, 나머지 도그이어가 그 위에 고정되므로 석고 보드 설치 시 충분한 지지력이 있습니다.

천장 절단부 크기

판지 절단부 템플릿은 천장 표면에 절단부 구멍을 뚫을 수 있도록 스피커에 동봉되어 있습니다.

표 2: 절단부 크기

| 모델 | 절단부 크기(직경) |
|-----------------------------------|----------------|
| Control 412C/T, Control 412C/T-VA | 168 mm(6.6인치) |
| Control 414C/T, Control 414C/T-VA | 168 mm(6.6인치) |
| Control 416C/T, Control 416C/T-VA | 223 mm(8.8인치) |
| Control 418C/T | 282 mm(11.1인치) |

옵션 BG(검은색) 및 SG(정사각형) 그릴

원형 검은색과 흰색 정사각형 그릴을 선택 사항으로 사용할 수 있습니다. **JBL-MTC-xxxBG** 그릴은 동봉된 기본 흰색 그릴 대신, 검은색을 원할 때 사용할 수 있는 검은색 원형 그릴입니다. 기본 흰색 그릴을 도장할 수도 있습니다(아래 참고). **JBL-MTC-xxxSG** 그릴은 동봉된 기본 그릴 대신, 정사각형 그릴을 원할 때 사용할 수 있는 흰색 정사각형 그릴입니다. 이 그릴은 원하는 색상(검은색 포함)으로 도장할 수 있습니다. 이 그릴은 스피커 어셈블리를 완전히 덮습니다.

| 모델 | 검은색 원형 그릴 | 정사각형 그릴 |
|-----------------------------------|---------------|---------------|
| Control 412C/T, Control 412C/T-VA | JBL-MTC-414BG | JBL-MTC-414SG |
| Control 414C/T, Control 414C/T-VA | JBL-MTC-414BG | JBL-MTC-414SG |
| Control 416C/T, Control 416C/T-VA | JBL-MTC-416BG | JBL-MTC-416SG |
| Control 418C/T | JBL-MTC-418BG | JBL-MTC-418SG |

5. 단계별 설치 및 배선

이 설치 시스템은 타일 위쪽에 접근이 불가능하거나 접근이 쉽지 않은 경우에도 천장 아래쪽에서 설치를 완벽히 마칠 수 있도록 설계되었습니다. 하지만 탈착 가능한 천장 타일이 있는 경우, 설치 과정의 여러 단계에서 천장 타일의 위아래 모두에 접근하기가 더 쉬울 수 있습니다.

참고: 배선 방법은 다음과 같아야 합니다.

1. 캐나다의 경우, **CSA C22.1**, 캐나다 전기 코드, 파트 I, 전기 설비의 안전 기준, 32항
2. 미국의 경우, **NFPA 70**.

1단계 - 구멍 잘라내기. 동봉된 판지 절단부 템플릿을 따라 그리거나 위에 나온 절단부 크기 차트를 사용하여 구멍을 그리면 구멍 크기에 맞게 잘라낼 수 있습니다. 구멍을 잘라내는 직소와 적절한 눈 보호구 등 안전한 공구를 사용하십시오. 절단부 직경에서 1/16인치(1.5 mm) 이상 벗어나지 않도록 정확하게 자르십시오. 절단부 구멍을 통해 전선을 당겨 넣으십시오.

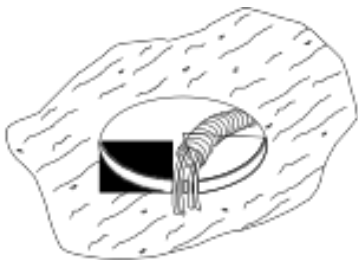


그림 3: 구멍 절단부
(그림: 연선관 안쪽 전선)

2단계 - 구멍을 통해 지지 하드웨어 삽입. 스피커와 함께 C-형 지지판(“C-링”) 브래킷과 두 개의 타일 레일 등 두 가지 유형의 지지 하드웨어가 들어 있습니다.

매립형 천장 - 천장 타일의 뚫린 구멍에 C-링을 삽입합니다(또는 천장 위에서 접근할 수 있는 경우, 천장 위에서 제자리에 고정). 그림 4와 같이 탭이 있는 구멍 주위에 C-링을 놓습니다. 천장 타일의 절단 구멍을 통해 타일 레일을 삽입합니다. C-플레이트의 탭 두 개에 레일 두 개를 끼우고, 레일

끝이 타일 측면의 T-채널 격자 위로 튀어나오도록 레일을 정렬합니다. 각 탭을 통해 나사를 삽입하여 C-링 탭에 레일을 고정합니다. 필요한 경우 천장 타일 아래에서 이 작업을 모두 할 수 있습니다.

안전 정보: 브래킷을 사용하는 것이 중요합니다

매립형 천장 타일에 설치할 때는 C-링과 타일 레일 등 모든 지지 브래킷을 반드시 사용해야 합니다.

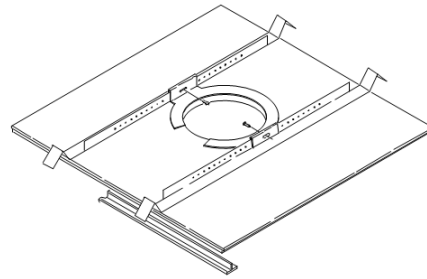


그림 4:
천장 타일에 C-브래킷 및 타일 레일 위치 지정

타일 레일: 타일 레일은 표준 24인치 폭 타일 또는 600 mm 폭 타일에 맞도록 설계되었습니다. 타일 레일 부품은 T-그리드 지지대에 물리적으로 부착되지 않습니다. 대신 레일 끝의 역-V자형이 T자형 그리드 지지대 위에 위치합니다. 일반 작동 중에 레일은 타일 가장자리로 지지됩니다. 드물지만 타일이 빠지거나 떨어지는 경우에 대비하여 지지 레일 끝부분이 T자형 그리드에 걸리도록 설계되어 있어 라우드스피커 어셈블리를 제자리에 고정할 수 있습니다.

옵션 액세서리 타일 레일 JBL-MTC-48TRX4 개(4개의 타일 레일 팩)는 더 큰 4피트 x 4피트(1200 x 1200 mm) 천장 타일에 설치할 수도 있습니다.

진동 감소: 이 라우드스피커는 상당한 오디오 출력을 생성할 수 있기 때문에 천장 소재나 구조물에 웅웅거리는 소리가 발생할 수 있습니다. 천장 타일과 구조물의 특성에 따라 설치자는 타일 레일 아래나 타일 가장자리에 네오프렌이나 다른 완충 재료를 배치하여 덜컹거림을 없애야 할 수도 있습니다.

절단부 배치: 타일 레일에는 길이를 따라 부착용 구멍이 미리 뚫려 있습니다. 배치는 다른 많은 타일 레일 지지 시스템과 달리 타일 중앙부에만 국한되지 않습니다.

비매립형 천장 유형 - 비매립형 일반 천장의 경우, 천장 재료의 지지대로 C-링을 사용하거나 탭 클램프의 고정력을 분산시키기 위해 C-링을 단독으로 사용할 수 있습니다. 천장의 뚫린 구멍에 C-링을 끼워 넣은 다음, 스피커를 삽입하기 전에 구멍 윗쪽에 올려둡니다.

3단계 - 스피커 단자컵에 있는 커넥터 소켓에 커넥터 꽂기.

백캔 상단 패널에 있는 고정식 단자 커버 체결 나사를 완전히 풀습니다. 이 나사는 단자 커버에 고정되어 있습니다(완전히 제거하지 말 것).



그림 5: 고정식 단자 커버 나사 완전히 풀기

단자 커버 열기 - 단자 커버 힌지는 Control 412C/T, 412C-VA, 414C/T, 414C-VA 모델의 백캔 측면 패널에 장착되어 있습니다.

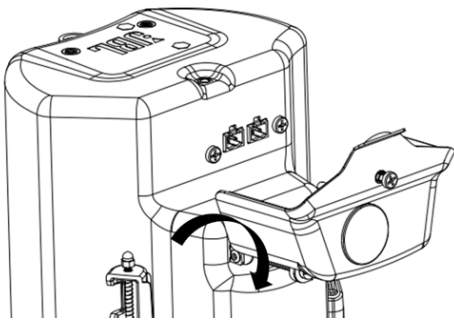


그림 6A: 단자 커버 열기(Control 414 C/T 그림)

단자 커버 힌지는 Control 416C/T, Control 416C/T-VA, Control 418C/T 모델의 백캔 측면 패널에 장착되어 있습니다.

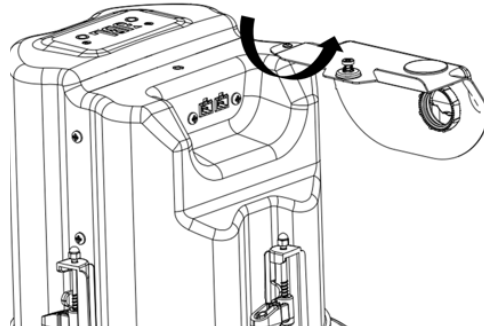


그림 6C: 단자 커버 열기 (Control 416C/T 그림)

스트레인 릴리프 위치 - 스피커를 최대한 얇게 유지하기 위해, 기본 스트레인 릴리프 위치(즉, 전선 출구)가 Control 412C/T, Control 414C/T, Control 416C/T, Control 418C/T의 백캔 측면에 설치되어 있습니다.

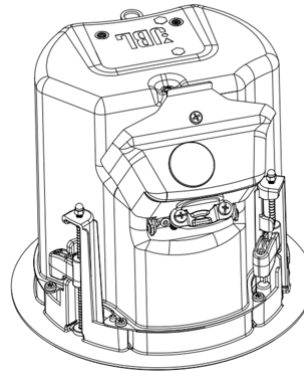


그림 7: 기본적으로 측면에 있는 스트레인 릴리프

설치자가 스트레인 릴리프를 측면 패널이 아닌 뒷면 패널 상단 패널에 배치하기를 원하는 경우에는 다음 지침을 따르십시오.

옵션: 상단 패널로 스트레인 릴리프 이동(VA 이외의 모델)

[스트레인 릴리프를 상단 패널로 이동하기 위한 선택적 단계]

단자 커버의 상단 패널과 측면 패널에는 각각 같은 직경의 구멍 두 개가 있습니다. 출고 시 기본적으로 상단 구멍에는 프레스인 플러그가, 측면 홈에는 스트레인 릴리프가 장착되어 있습니다. 이 구성을 전환하려면, 단자 커버를 열고 프레스인 플러그를 누르십시오(나중에 사용할 수 있도록 보관해두십시오).

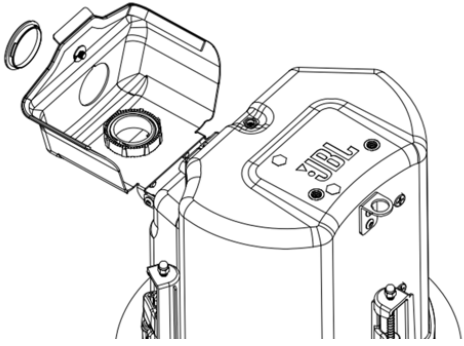


그림 8: 프레스인 플러그 눌러서 빼내기

[스트레인 릴리프를 상단 패널로 이동하기 위한 선택적 단계]

단자 커버 안쪽에서 스트레인 릴리프를 고정하는 너트를 풉니다.

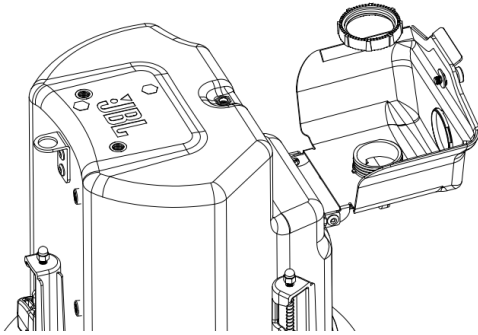


그림 9: 너트 풀기

[스트레인 릴리프를 상단 패널로 이동하기 위한 선택적 단계]

단자 커버의 상단 구멍에 스트레인 릴리프를 삽입합니다. 스트레인 릴리프 어셈블리를 고정하는 너트를 조입니다.

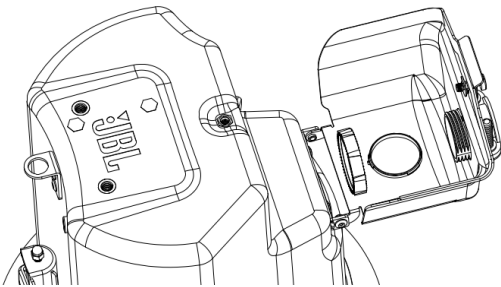


그림 10: 스트레인 릴리프를 위쪽으로 옮긴 후 잠그기

[스트레인 릴리프를 상단 패널로 이동하기 위한 선택적 단계]

단자 커버의 측면 구멍에 프레스인 플러그를 삽입합니다.

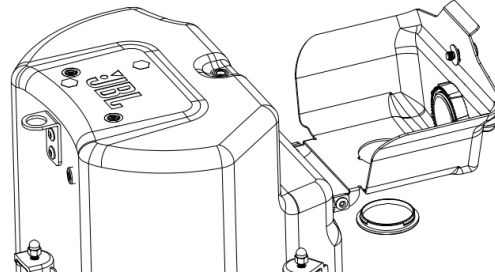


그림 11: 프레스인 플러그 삽입

Control 412C/T-VA, Control 414C/T-VA, Control 416C/T-VA의 경우에는 단자 커버 상단 패널에 구멍 두 개가 있습니다. 이 중 하나는 프레스인 플러그로 덮습니다.

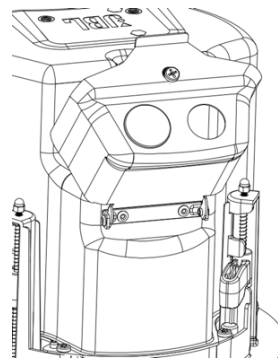


그림 11A: 상부의 기본 구멍 두 개.

빈 구멍에 글랜드너트를 설치합니다. 글랜드너트를 제대로 부착하고 조였는지 확인합니다. 글랜드너트 두 개가 필요한 경우, 프레스인 플러그 제거 후 다른 구멍에 두 번째 글랜드너트(동봉 안 됨)를 설치할 수 있습니다.

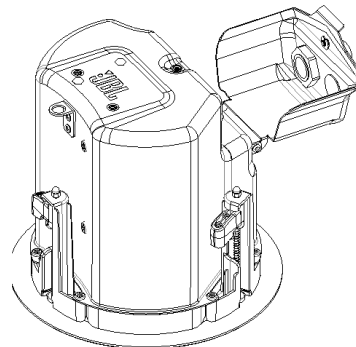


그림 11B: 빈 구멍에 글랜드너트 설치

4.1단계 - 탈착식 잠금 커넥터에 연결(Control 412C/T, Control 414C/T, Control 416C/T, Control 418C/T의 경우) - 스피커에 2핀 탈착식 잠금 커넥터 2개가 포함되어 있으며 하나는 IN용, 다른 하나는 LOOP OUT용입니다. 절연체를 약 5 mm(약 3/16인치) 벗겨서 탈착식 잠금 커넥터에 전선을 연결합니다. 전선을 너무 길게 벗기면 단락 위험이 있고, 너무 짧게 벗기면 커넥터에 제대로 연결되지 않을 위험이 있습니다. 전선 맨 끝을 커넥터에 삽입하고, 소형 일자 드라이버로 고정 나사를 조여 단단히 고정합니다. 진동을 막기 위해 사용하지 않는 나사는 조이십시오. 닳거나 노출된 전선이 없는지 다시 한번 확인하십시오(둘 중 하나라도 있으면 전선 사이에 단락이 발생할 수 있음).

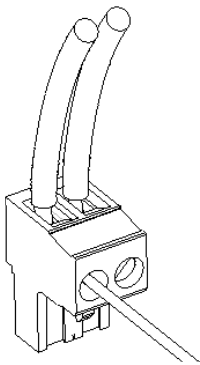


그림 12: 탈착식 잠금 커넥터에 전선 연결 (외피 없는 개별 전선으로, 입력 전선이 2가닥인 그림)

연결용 핀 가이드 -- 탈착식 잠금 입력 커넥터 2개에는 각각 2개의 단자가 있습니다. 핀 기능은 단말기 덮개판의 라벨에 기재되어 있습니다.

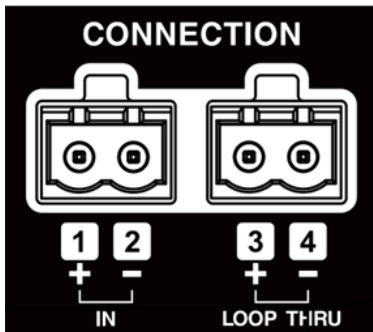


그림 13: 커넥터 핀(Control 418C/T 그림)

(2핀 커넥터 중 하나의) 핀 1 및 핀 2는 라우드스피커 “+” 및 “-” 입력 단자입니다. 핀 3 및 4는 스피커 내부에서 각각 핀 1 및 2에 연결되어 있습니다(핀 1

은 핀 3에, 핀 2는 핀 4에 연결). 핀 3 및 4는 다음 라우드스피커에 연결되는 루프스루 연결부입니다.

후속 스피커를 연결하려면 후속 스피커의 전선 쌍을 3 및 4 핀(LOOP THRU)에 연결합니다.

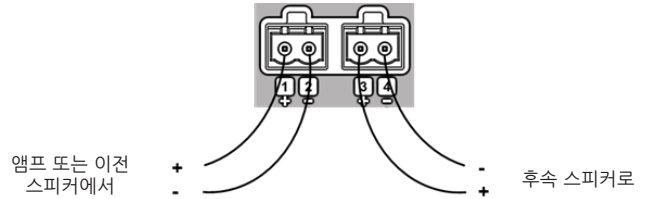


그림 13: 커넥터 핀

전선이 이미 연결된 2핀 커넥터를 스트레인 릴리프를 통해 밀어 넣습니다.

2핀 커넥터에 스피커 전선 연결

- 배선 커넥터 - 스피커 전선을 커넥터에 연결할 때, 적절한 +/- 극성을 준수하고, 서로 단락될 수 있는 노출된 전도체나 닳은 전선이 없는지 확인하십시오.

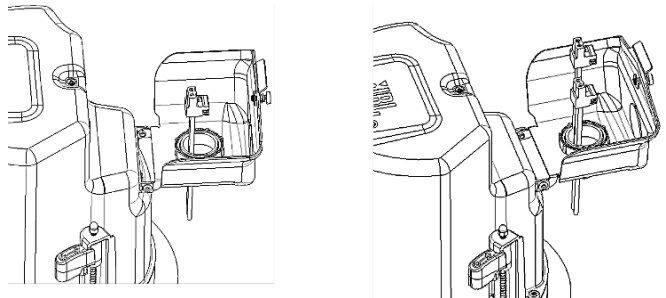


그림 14: 스트레인 릴리프를 통한 슬라이드 커넥터

- IP33 등급이 필요하면 고무 부트를 사용하고 다음 지침을 따르십시오.

[탈착식 잠금 커넥터에 전선을 연결하기 위한 선택적 단계]

스트레인 릴리프를 통해 외부에서 내부로 전선을 밀어 넣습니다.

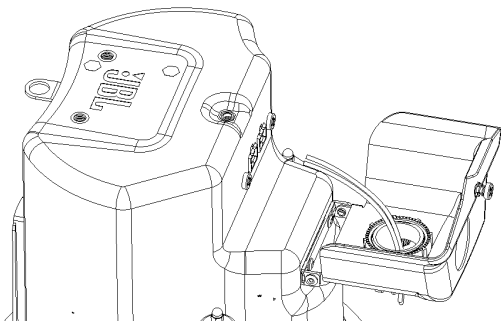


그림 15: 스트레인 릴리프를 통해 외부에서 내부로 전선을 밀어 넣기.

[탈착식 잠금 커넥터에 전선을 연결하기 위한 선택적 단계]

작은 사각형 구멍에서 고무 부트를 통해 전선을 밀어 넣고 다른 구멍으로 빼냅니다.

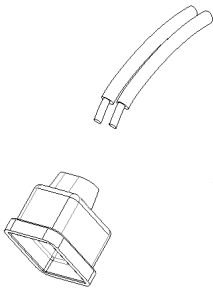


그림 16: 고무 부트를 통해 전선 밀어 넣기

[탈착식 잠금 커넥터에 전선을 연결하기 위한 선택적 단계]

커넥터에 전선 코드를 연결합니다.

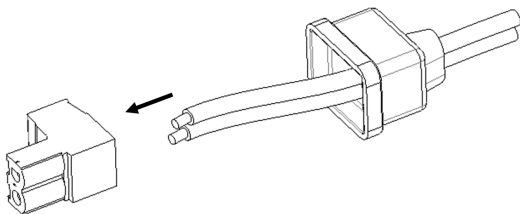


그림 17: 커넥터에 전선 코드 연결
[탈착식 잠금 커넥터에 전선을 연결하기 위한 선택적 단계]

드라이버로 커넥터를 잠급니다.

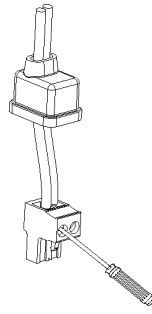


그림 18: 드라이버로 커넥터 잠그기

[탈착식 잠금 커넥터에 전선을 연결하기 위한 선택적 단계]

플러그에 고무 부트를 가깝게 밀어 넣습니다.

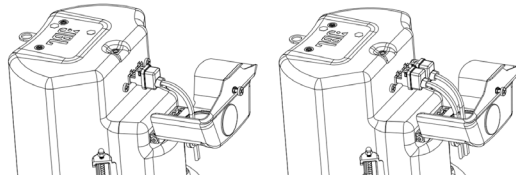


그림 19: 플러그에 고무 부트 가깝게 밀어 넣기

[탈착식 잠금 커넥터에 전선을 연결하기 위한 선택적 단계]

고무 부트 입구에 실리콘 접착제를 발라 연결부를 밀봉합니다.

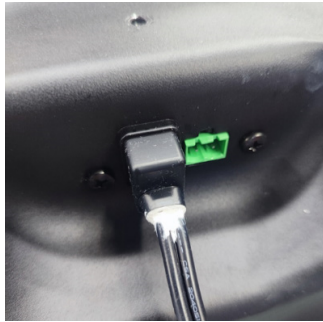
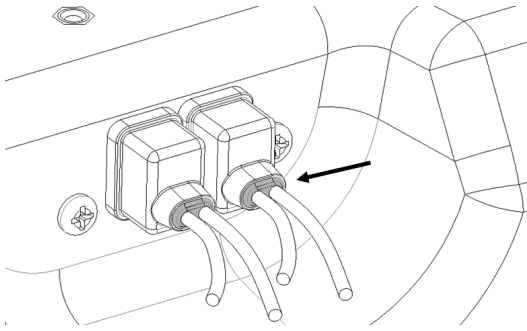


그림 19A: 실리콘 접착제 처리

4.2단계 - 탈착식 잠금 커넥터에 전선 연결(Control 412C/T-VA, Control 414C/T-VA, Control 416C/T-VA의 경우) - 스피커에 세라믹 단자 블록이 부착되어 있습니다. 절연체를 약 5 mm(약 3/16 인치) 정도 벗깁니다. 이보다 길게 절연 피복을 벗기지 마십시오. 노출된 전선 끝부분을 커넥터 안쪽까지 완전히 밀어 넣으십시오(커넥터 밖으로 맨션이 보이지 않게 주의). 기존에 전선이 연결되어 있지 않은 단자 쪽만 사용하십시오.

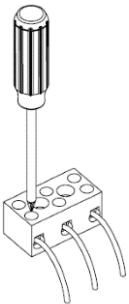
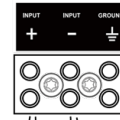


그림 19A: 세라믹 단자 블록에 전선 연결

(도면에 표시된 오른쪽 배선은 선택 사항입니다. 드라이버 새시를 안전 접지에 연결해야 하는 경우에만 연결하면 됩니다.)

다른 라우드스피커로 루핑 연결할 두 번째 전선을 사용할 경우, 동일한 단자에 두 번째 전선 세트를 병렬로 추가하십시오. 소형 십자 드라이버를 사용하여 고정 나사를 단단히 조일 때까지

돌리십시오. 진동으로 인한 떨림을 막기 위해 사용하지 않는 나사는 조이십시오.



앰프 또는 이전 스피커에서 : 후속 스피커로

그림 19B: 다음 라우드스피커로 루프아웃 연결을 하기 위해 세라믹 단자 블록에 전선 두 세트 연결.

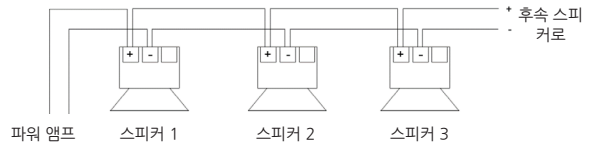


그림 19C: 70V 또는 100V 분산형 스피커 시스템에서 여러 스피커에 병렬 연결.

연결 핀 안내 — 세라믹 단자 블록에는 + INPUT, - INPUT, GROUND로 커넥터에 표시된 3개의 단자가 있습니다.

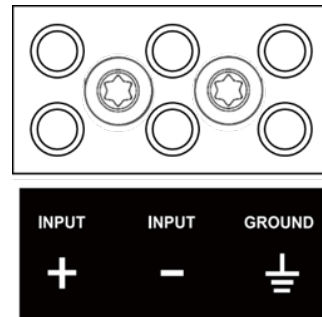


그림 19D: 단자

5단계 - 이미 연결된 2핀 커넥터를 2핀 소켓에 꽂기 - 올바른 양극 및 음극 극성을 반드시 확인하고, 라벨에 표시된 방향에 맞춰 커넥터를 연결합니다.

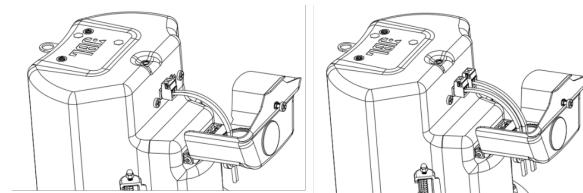


그림 20: 러버 부트가 없는 경우, 소켓에 커넥터 직접 연결

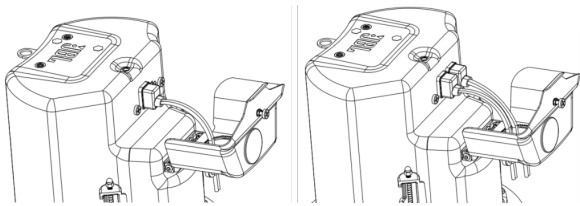


그림 21: 커넥터를 소켓에 연결한 후, 러버 부트를 사용하는 경우에는 커넥터 위로 러버 부트 밀어 덮기

6단계 - 단자 커버 닫기 및 고정 - 단자 커버를 닫고, 단자 커버에 고정된 나사로 단단히 고정합니다.

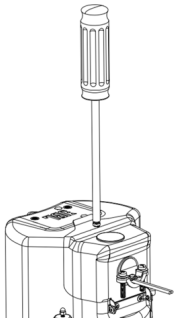


그림 22: 단자 커버 닫기 및 나사 조이기

7단계 - 제공된 나사 2개로 스트레인 릴리프 클램핑 장치 단단히 고정.

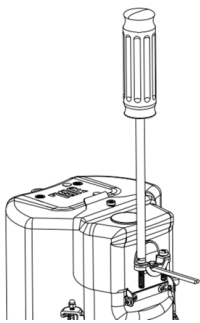


그림 23: 스트레인 릴리프 클램핑 메커니즘 조이기

(측면에 스트레인 릴리프가 장착된 상태와 피복을 벗긴 전선 그림)

중요:



해당 지역 및 건축 유형에 따른 건축 법규와 규정을 항상 준수하십시오.

8단계 - 천장에 스피커 삽입 및 고정. 스피커를 천장 절단부에 끝까지 삽입하여, 전면 배플의 가장자리가 천장 면에 밀착될 때까지 넣어 주십시오.

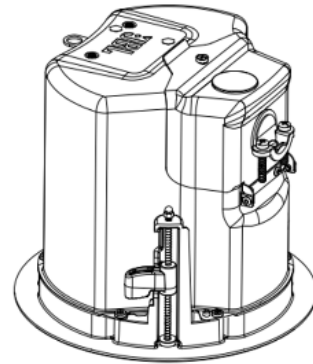
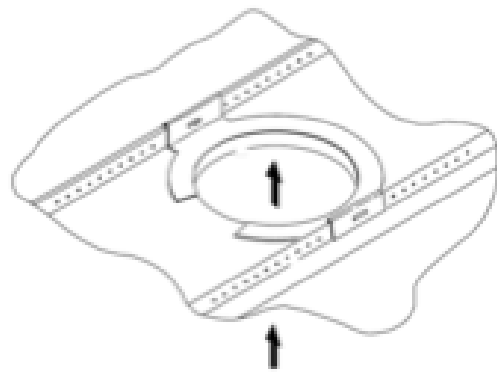


그림 24: 천장 절단부를 통한 스피커 삽입

도그이어 조이기 -- 중요 -- 각 고정 나사에 대해, 먼저 시계 반대 방향으로 반 바퀴 돌려 도그이어 고정 탭을 원래 위치에서 펼칩니다.

그런 다음 시계 방향으로 나사를 돌려 천장 표면에 단단히 밀착되도록 고정 탭을 조입니다. 천장 재질의 특성에 맞게 토크를 조절합니다. 과도하게 조이지 마십시오.

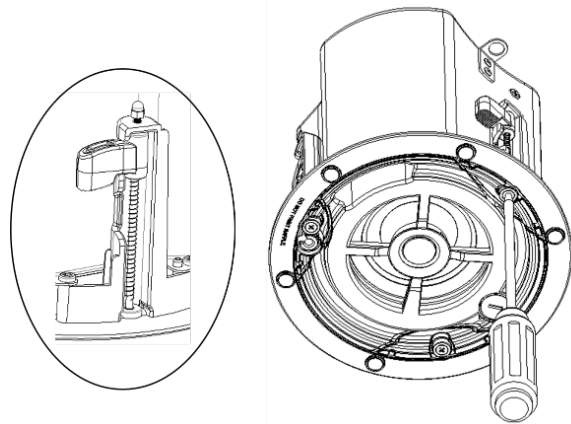


그림 25: 도그이어 고정 탭 조이기

도그이어 수, 모델별

| 모델 | 도그이어 나사 수 |
|---|-----------|
| Control 412C/T, Control 412C/T-VA, Control 414C/T, Control 414C/T-VA | 도그이어 3개 |
| Control 416C/T, Control 416C/T-VA, Control 418C/T | 도그이어 4개 |

두꺼운 천장에 사용하는 경우 - 기본 설정으로 도그이어 탭은 이동 범위의 중간 위치에 있으며, 대부분 천장 두께에서는 조정 없이 그대로 사용할 수 있습니다. 탭을 가장 높은 위치까지 올려야 하는 두꺼운 천장의 경우, 스피커를 천장 절단부에 삽입하기 전에 (탭이 중간에 걸리지 않도록 주의하면서) 모든 나사가 완전히 멈출 때까지 시계 반대 방향으로 돌리십시오.

스피커를 제거할 때는 모든 도그이어 나사를 시계 반대 방향으로 멈출 때까지 돌리십시오. 모든 나사를 멈출 때까지 돌리면 도그이어 탭이 접히며, 스피커를 천장에서 분리할 수 있습니다.

도그이어 나사를 풀 때 스피커가 떨어지지 않도록 반드시 손으로 지지하십시오.

9단계 - SEISMIC TAB에 2차 지지 와이어 연결 - 각 스피커 측면에는 독립적인 2차 지지점에 연결할 수 있는 탭이 있습니다. 일부 건축 관련 규정에서는 이 2차 지지점의 사용을 요구하며, 이를 위해 건물 구조물의 별도 고정 지점에 지지 와이어를 연결해야 합니다. 해당 지역의 건축 규정을 참조하십시오.

중요:



Control Contractor 천장형 스피커는 상당한 진동을 발생시킬 수 있습니다. 세이즈믹 탭의 보조 지지 케이블은 천장 타일 또는 지지 구조물이 파손될 경우 보조 지지 포인트로 사용해야 합니다.

10단계 - 탭 선택기 조정 - 탭 선택기 스위치는 전면 배플에 있습니다. 그릴을 설치하고 스피커에 신호를 인가하기 전에 탭 설정을 조정하십시오. 일부 설치에서는 시스템의 탭을 최종 조정할 수 있도록, 그릴을 장착하지 않은 상태로 두는 것이 나올 수 있습니다.

“NC” = 연결 없음. (100V 분산형 시스템에서는 이 방식을 사용하지 마십시오)

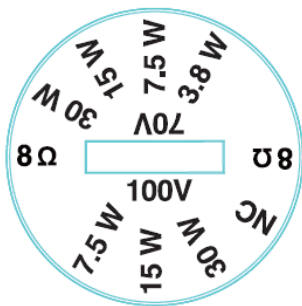


그림 26: 탭 선택기(Control 416C/T 그림)

11단계 - 안전 테더 고정 플러그 삽입 및 그릴 부착 - 그릴에는 안전 테더(추락 방지용 와이어)가 미리 연결되어 있습니다. 테더의 열린 끝에 있는 고정 플러그를 배플의 소켓에 삽입하십시오(테더는 그릴에 미리 부착되어 있음). 플러그가 소켓에 완전히 삽입되어 있으며, 밖으로 튀어나와 순조로운 그릴 부착을 방해하지 않는지 반드시 확인하십시오.

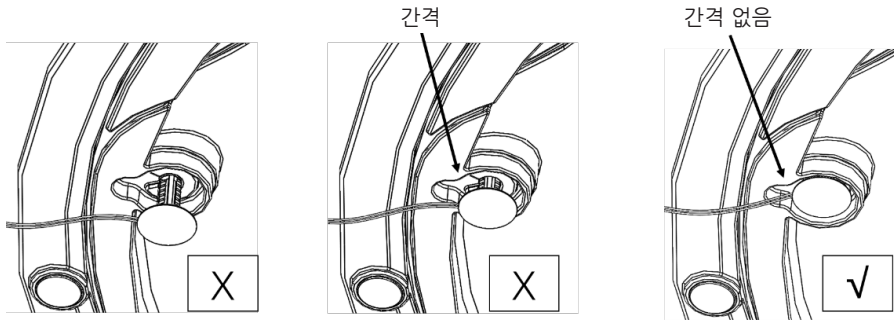


그림 27: 플러그 완전 삽입 여부 확인

그런 다음 스피커 앞에 그릴을 놓되, 테더 케이블이 드라이버 정면을 가로지르지 않도록 주의하십시오 (진동으로 인한 잡음 발생 가능). 진동으로 인해 느슨해지거나 떨어지지 않도록 자석으로 그릴을 단단히 고정했는지 확인하십시오.

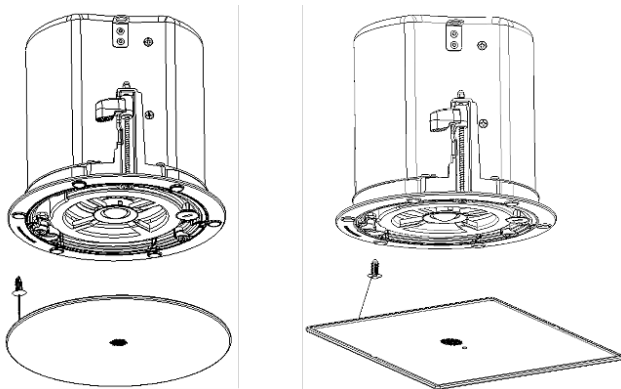


그림 28: 그릴 부착

6. 그릴 도색

중요:



Control 412C/T-VA, Control 414C/T-VA and Control 416C/T-VA 모델)의 경우
 - 난연 등급을 유지하기 위해 그릴에 도장을 하거나 공장에서 적용된 마감 처리를 변경하지 마십시오.

다른 Control Contractor Standard Coverage 시리즈 모델은 그릴이 기본적으로 백색 마감 처리되어 있어 대부분 공간과 잘 조화를 이루며, 별도의 추가 마감이 필요하지 않습니다. 인테리어 디자인에 따라 필요한 경우, 이 그릴은 쉽게 도색할 수 있습니다. 이 그릴은 스피커 전체를 덮기 때문에, 스피커 설치 전에 도장할 수 있습니다.

중요:



스피커의 배플은 도색하지 마십시오. 자석과 그릴 사이에 도장이 있으면 자석이 그릴을 고정하는 능력이 떨어집니다.

최적의 결과물을 위해 다음 절차를 따르는 것이 좋습니다.

- 그릴 뒷면의 그릴 안감 소재가 찢어지지 않도록 조심스럽게 떼어내십시오. 도장 후에 다시 부착할 수 있도록 따로 보관해 두십시오. 그릴 로고는 도장 후 다시 부착할 수 있도록 마스킹하거나 떼어내십시오. 가장자리 트림은 제거하지 마십시오.
- 그릴 및 가장자리 트림은 미네랄 스피릿 등의 약한 용제를 살짝 적신 천으로 부드럽게 닦아 청소하십시오. 사포나 철 수세미 같은 연마성 재질은 사용하지 마십시오(그릴의 녹 방지 도금이 벗겨질 수 있습니다). 가솔린, 등유, 아세톤, MEK, 페인트 시너, 독한 세제 또는 기타 화학 약품은 사용하지 마십시오. 이러한 세제를 사용하면 그릴 어셈블리가 영구적으로 손상될 수 있습니다. 그릴을 샌딩하지 마십시오.
- 페인트를 한 번 이상 얇게 분사하여 도포하십시오. 펀칭 홀을 메우지 않도록 주의하십시오(이러한 구멍은 소리가 통과하는 데 필요하며 막히면 음질이 저하될 수 있습니다).
- 도장이 완전히 마르면 그릴 뒷면에 그릴 안감 소재를 다시 설치하십시오. 탈거한 그릴 안감이 수축된 경우에는 제대로 마스킹되도록 원래 크기로 다시 늘리십시오. 탈거한 그릴 안감이 늘어난 경우에는 알맞은 크기로 잘라내십시오.
- 그릴 뒷면에 남은 접착력이 뒷면 소재를 제자리에 단단히 고정하기에 충분하지 않거나(또는 페인트로 덮여 있는 경우에는) 그릴 뒷면에 스프레이 접착제를 아주 얇게 도포하십시오.
- 접착제는 그릴 소재 전면이 아닌 그릴 후면에 가볍게 분사해 주십시오. 양면에 모두 분사하라는 접착제는 사용하지 말고 다른 접착제를 선택하십시오. 안감 소재 전면에 접착제를 분사하면, 구멍을 통해 접착제가 노출되면서 공기 중의 먼지가 달라붙어 스피커 외관이 지저분해질 수 있습니다.
- 접착제가 분사되었을 가능성이 있는 표면에 그릴 전면을 올려놓지 마십시오. 그릴 전면에 접착제가 남으면 먼지와 오염물이 달라붙을 수 있습니다.
- JBL 로고를 단순히 마스킹하지 않고 탈거한 경우에는 그릴 중앙에 JBL 로고를 다시 붙이십시오. 그릴 중앙에는 로고가 들어갈 위치를 표시해놓은 얇은 홈이 있습니다.

천장을 도장하는 경우 스피커를 반드시 마스킹 처리해야 합니다. 스피커 본체는 도장하지 마십시오. 그릴은 스피커를 완전히 덮게 되어 있으며, 전면 배플은 그릴과 그릴 안감 소재 뒤로 잘 보이지 않게끔 검정색으로 설계되어 있습니다. 스피커 설치 이후 천장을 도장하는 경우, 드라이버 또는 배플에 페인트가 묻지 않도록 (배플 가장자리를 포함한) 스피커 전체를 철저히 마스킹해야 합니다. 그러지 않으면 그릴을 통해 색상 불균형이 드러날 수 있습니다.

7. 유지보수

이 설명서의 설치 및 배선 지침에 따라 설치한 경우에는 유지보수가 필요하지 않습니다.

8. 교체용 부품



스피커 안쪽에는 사용자가 수리할 수 있는 부품이 없습니다. JBL 공식 서비스 센터에 수리를 문의하십시오. 해당 지역의 공식 서비스 센터 이름을 확인하려면 [122](#)페이지에 나온 해당 주소로 JBL Professional에 문의하십시오.

C410_CLGSPKMAN Rev. A

05/25 8500 Balboa Boulevard Northridge, CA 91325 USA www.jblpro.com

