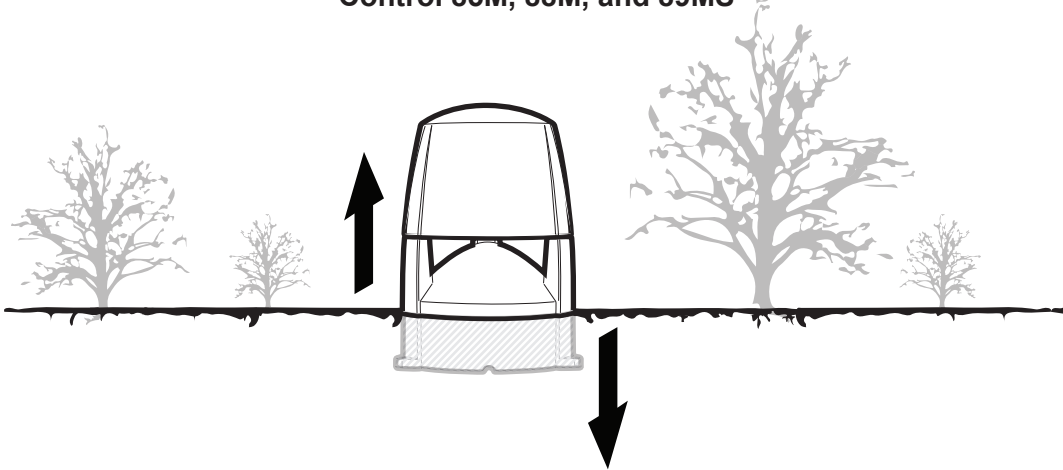




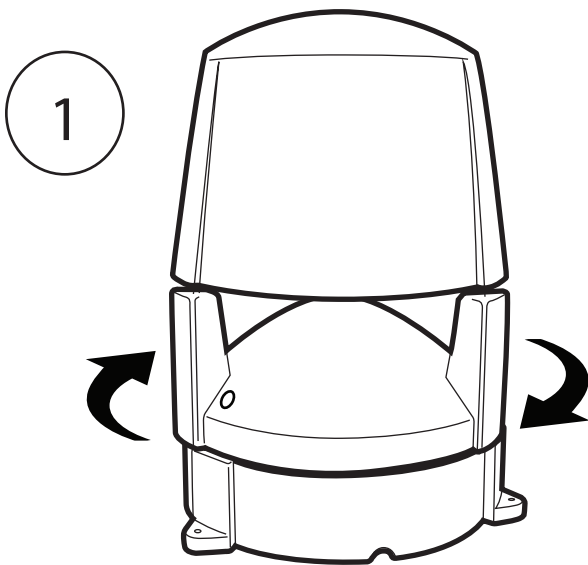
Control 80 Series Mushroom Landscape Speaker Installation Instructions

Control 85M, 88M, and 89MS

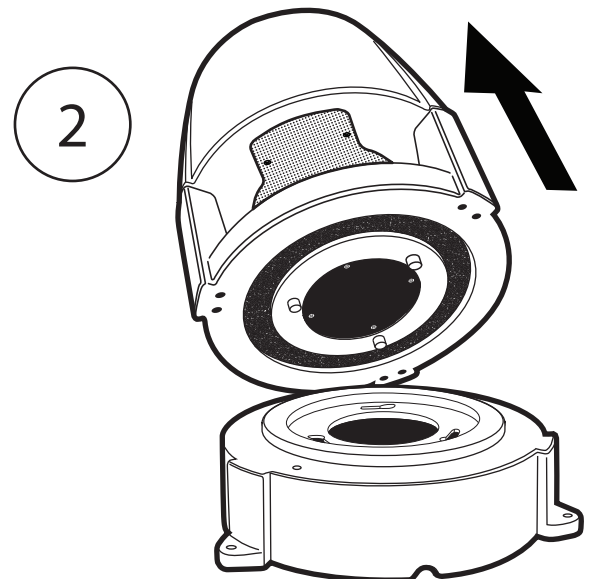


Before final assembly and installation of the Landscape speaker, it is important to prepare the installation site. The speaker is designed to be able to sit below grade, with the lower half burried in the soil no deeper than the boundary point where the two parts of the speaker meet. Another installation method is to place the speaker on the surface and use ground cover materials to “berm up” to the boundary between the two sections, being careful not to cover the flared waveguide in the upper half of the speaker, or the speaker can be installed on the top surface of wooden decks or cement slabs. There are three recessed pathways on the bottom of the speaker to allow for entrance and exit when using mutiple speakers on distributed lines.

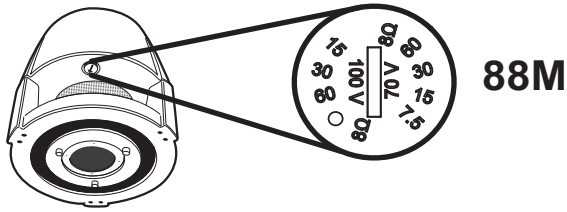
Anchoring the speaker for stability and security can be accomplished using after-market stakes placed through one, two or all three pre-drilled holes located at the base of each of the legs on the bottom section.



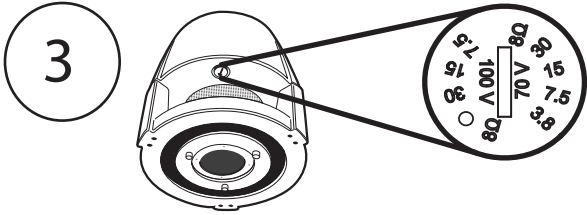
Twist the top part of the enclosure in a clock-wise direction until it disengages from the bottom part.



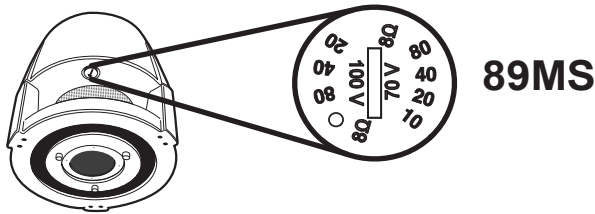
Lift off the top section.



88M

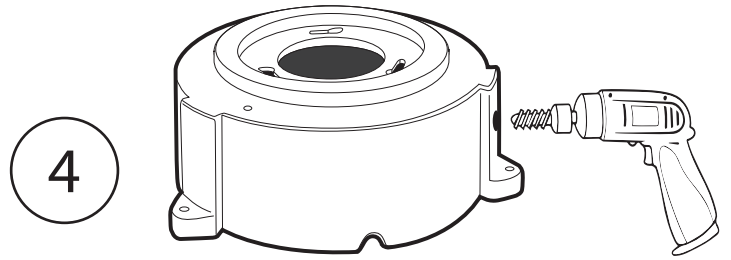


85M

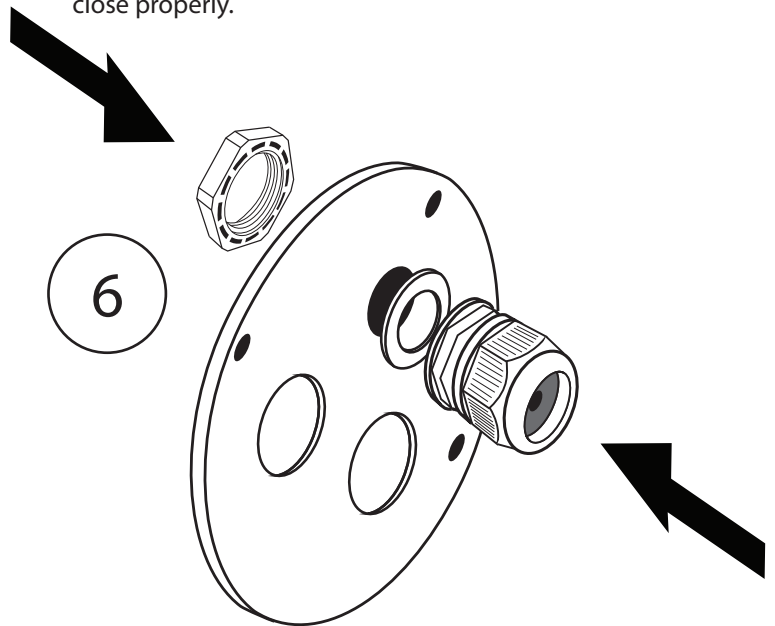


89MS

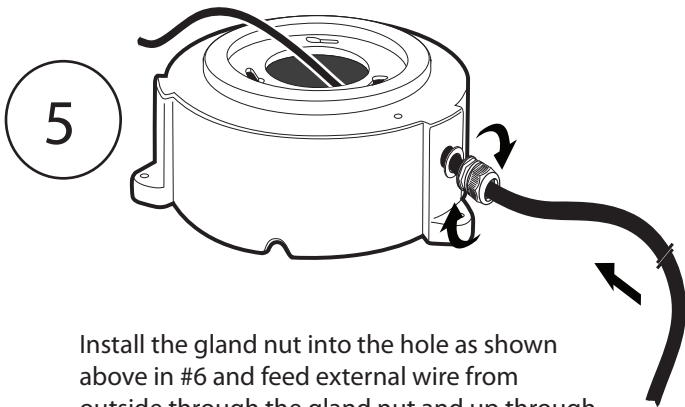
Close-up view of tap setting for the Control 85M, Control 88M, and Control 89MS. **Adjusting tap setting required before powering up system.



The second gland nut can be installed by drilling a 22 mm (7/8 in, 0.875 in) hole on the side of the bottom half of the enclosure, in one of three recesses on the underside of the enclosure, or other locations as needed, while taking care that the location chosen does not interfere with the locking parts so both halves of the enclosure will mate and close properly.



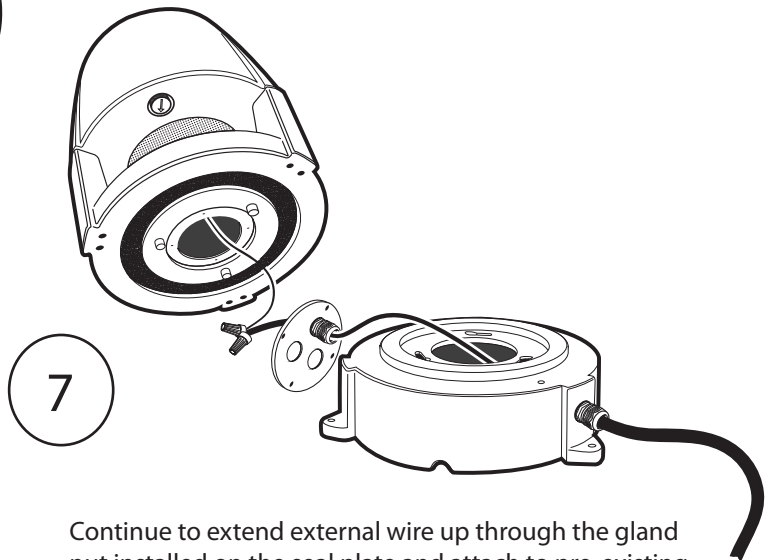
Attach one of the two included Gland Nuts into the open hole on the seal plate as shown above.



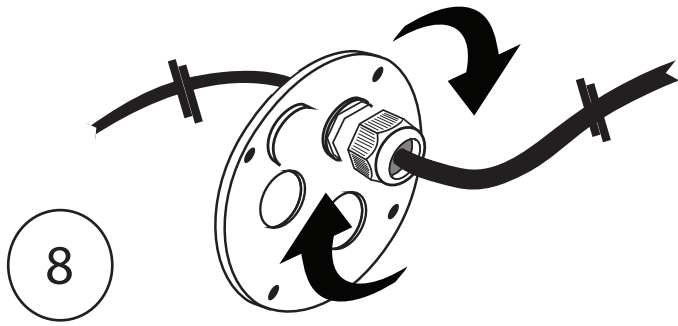
Install the gland nut into the hole as shown above in #6 and feed external wire from outside through the gland nut and up through the center hole in the lower half of the speaker as shown above.

IMPORTANT: WIRE SIZE

** To achieve a watertight seal with these gland nuts, use only round jacketed cable with outside diameter (O.D.) between 4.0mm (0.16") and 9.0 mm (0.36").



Continue to extend external wire up through the gland nut installed on the seal plate and attach to pre-existing wires from the top section of the speaker with included gel-filled wire nuts.



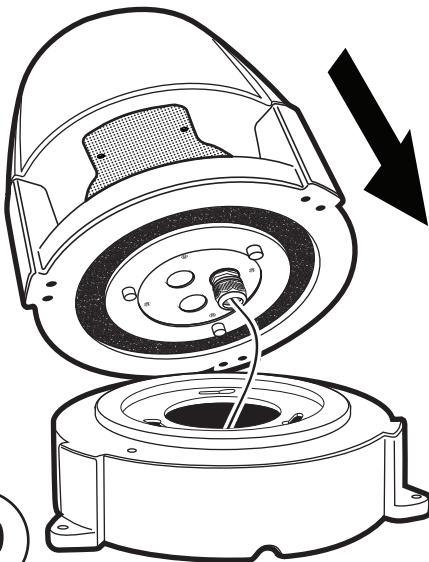
8

When all wires are set into place as shown in #9, tighten down both gland nuts by rotating the larger side until the gland material clamps down on the wire creating a water tight seal.



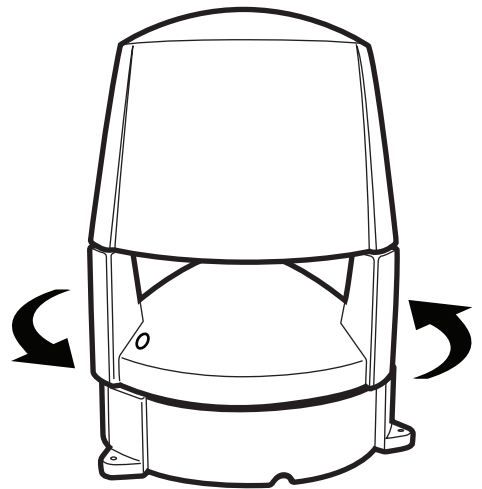
9

Begin to re-assemble speaker by taking care to place wire nut connectors in top section of speaker and reattach the seal plate with screws as shown above.



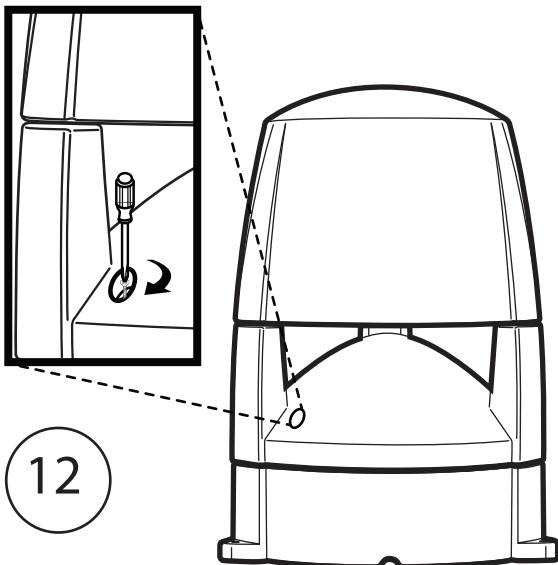
10

Line up the upper section pins and lower section grooves.



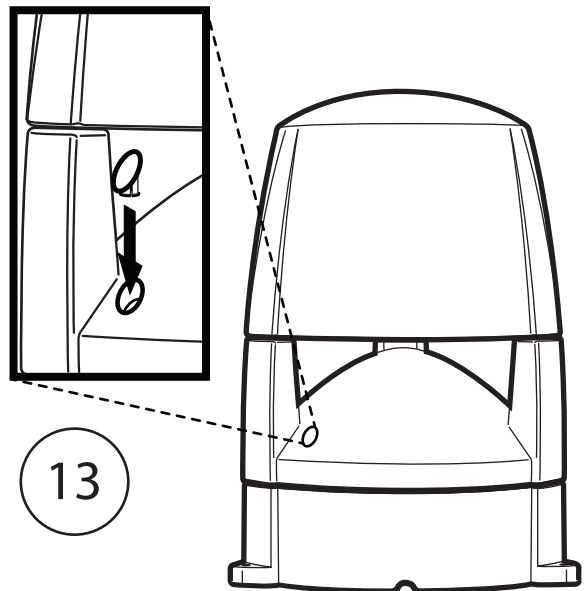
11

Rotate top section counter-clockwise to lock the top to the bottom section, being careful to line up the security screw hole with brass nut on the bottom half of the speaker.



12

Using included security screwdriver, and making sure you have lined up the security screw with brass nut, turn clockwise so screw will lock top and bottom section together.



13

Replace cap covering set screw.

**** INCLUDED PARTS IN CARTON**

- (1) Subwoofer packaged with a PE bag
- (1) Spec sheet
- (1) Install Instruction
- (1) Accessory bag

ACCESSORY BAG IN CARTON CONTAINS:

- (1) Round Seal Plate (green)
- (4) Set Screws (for green seal plate)
- (2) Gland Nuts
- (2) Gel-Filled Wire Nuts
- (1) Security Screw (M4 x 0.7 x 14 mm)
- (1) Security Screw Cover
- (1) Security Screwdriver



JBL Professional
8500 Balboa Blvd
Northridge, CA 91329
USA

IS-C80MLS-B
REV 04/2022