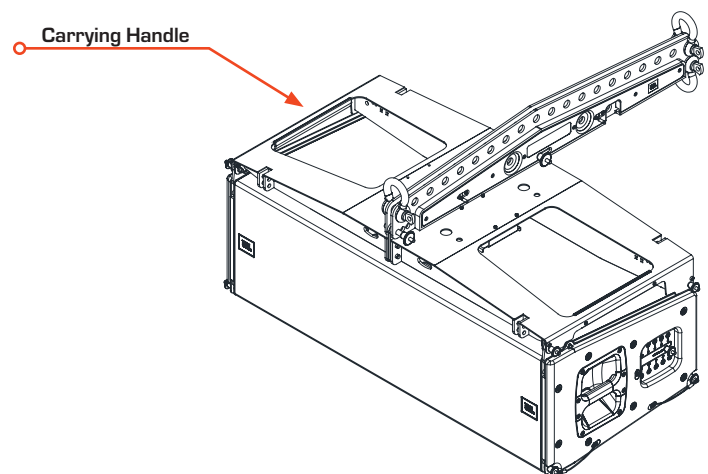
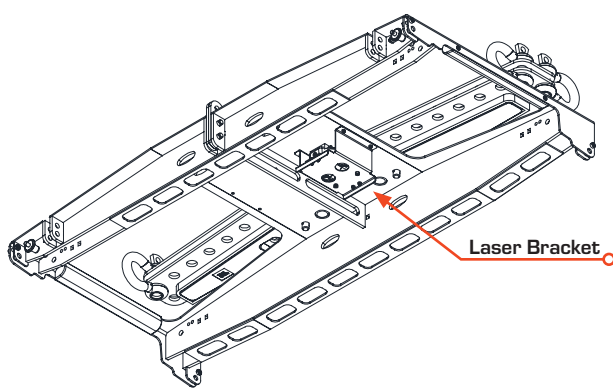


HIGHLIGHTS

- Support for up to 24 x VTX A12 enclosures
- Single, front-to-back or side-by-side pick point options
- 0.5-degree pick point resolution
- Built-in storage position for Extension Bar
- Includes 1 x VTX A12 AF EB Extension Bar
- Support for 3rd party laser inclinometers
- Compatible shackle size: 5/8"

DESCRIPTION

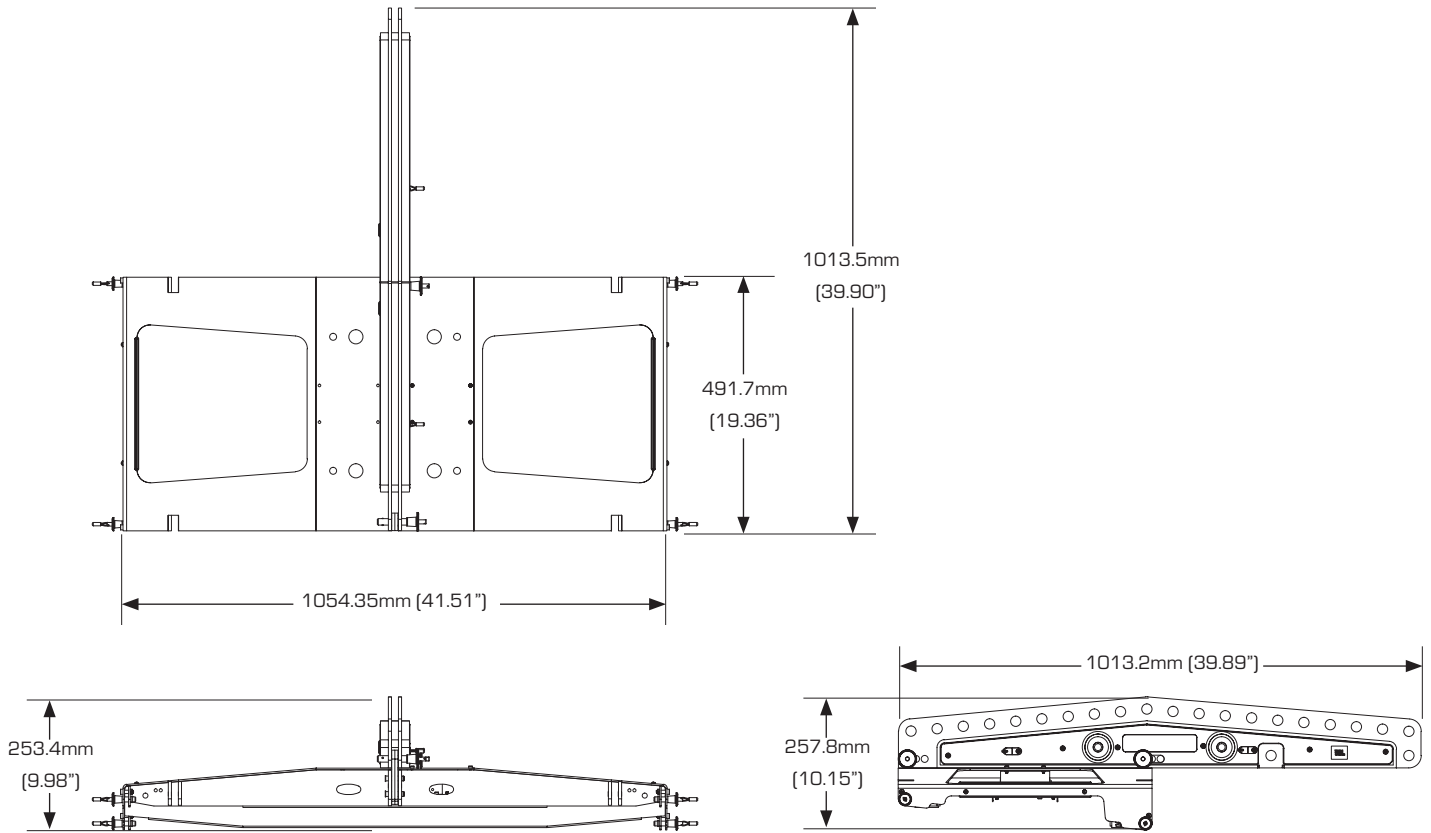
The **VTX A12 AF** is a lightweight Array Frame used for suspending **VTX A12** series enclosures. The frame was designed to operate in either single-point, front-to-back or side-by-side suspension modes using the **VTX A12 AF EB** Extension Bar. The extension bar is compatible with 5/8" shackles and can be stored above the main frame during transportation. The extension bar can extend to the front or the rear of the frame to accommodate both up-tilt and down-tilt aiming options. Three connection points are available for attaching the Extension Bar to the main frame, allowing for precise control of shackle positioning for single-point applications. Support for 3rd party inclinometers is available using the included laser attachment bracket. One **VTX A12 AF EB** Extension Bar is included and additional Extension Bars can be purchased to facilitate side-by-side suspension.



INCLUDED

- 1 x VTX A12 AF
- 1 x Extension Bar
- 1 x Laser Bracket
- 3 x 5/8" CM Shackles

DIMENSIONS



TECHNICAL SPECIFICATIONS

Construction: High-grade steel with anti-corrosion coating

Finish: Black Powder Coat

Mechanical Limits¹

Maximum : 24 x VTX A12

Safe Limit : 12 x VTX A12

Compatible Shackle Size: 5/8"

Supported Lasers: JBL VTX LZ, TEQ-SAS, Recline

Dimensions (H x W x D)²: 257.8 mm x 1054.35 mm x 1013.2 mm
[10.15 in x 41.51 in x 39.89 in]

Net Weight³: 41 kg (90 lbs)

Footnotes:

1: For arrays larger than the safe limit always use the JBL Line Array Calculator to determine mechanical safety

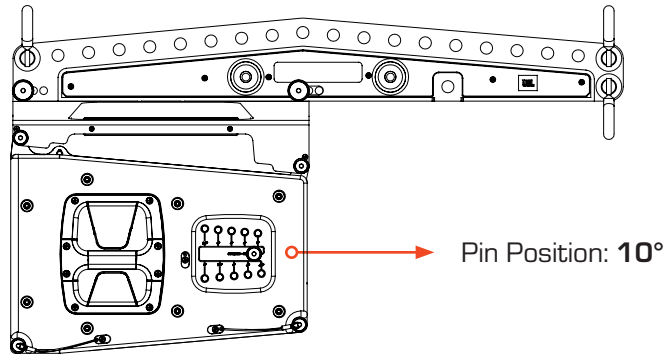
2: Refer to the 2D and 3D Customer Drawings for more detailed dimensions

3: Weight includes AF and EB. Shackles and other rigging parts not included

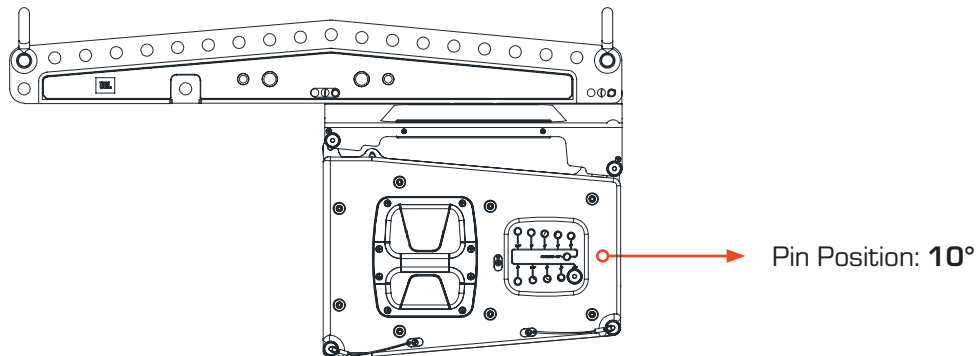
JBL continually engages in research related to product improvement. Some materials, production methods and design refinements are introduced into existing products without notice as a routine expression of that philosophy. For this reason, any current JBL product may differ in some respect from its published description, but will always equal or exceed the original design specifications unless otherwise stated.

EXTENSION BAR ATTACHMENT OPTIONS

NORMAL: Extension Bar extends to the rear of the array.



REVERSE: Extension Bar extends to the front of the array for additional up-tilt range. Supports limited number of cabinets.



REVERSE FRAME: Reverse frame installation with the Extension Bar extending to the front of the array. Allows for additional up-tilt range and maximum load capacity.

