



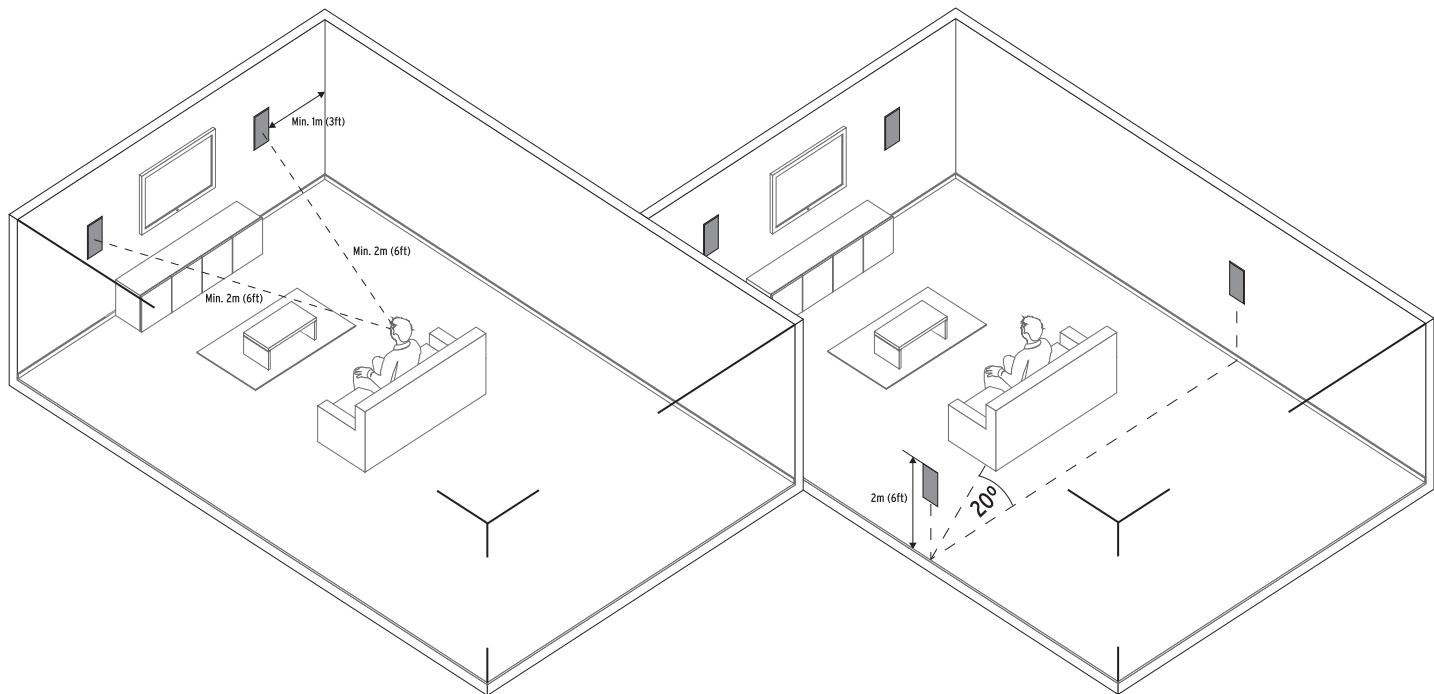
Klipsch[®]

ARCHITECTURAL SPEAKERS

OWNERS MANUAL

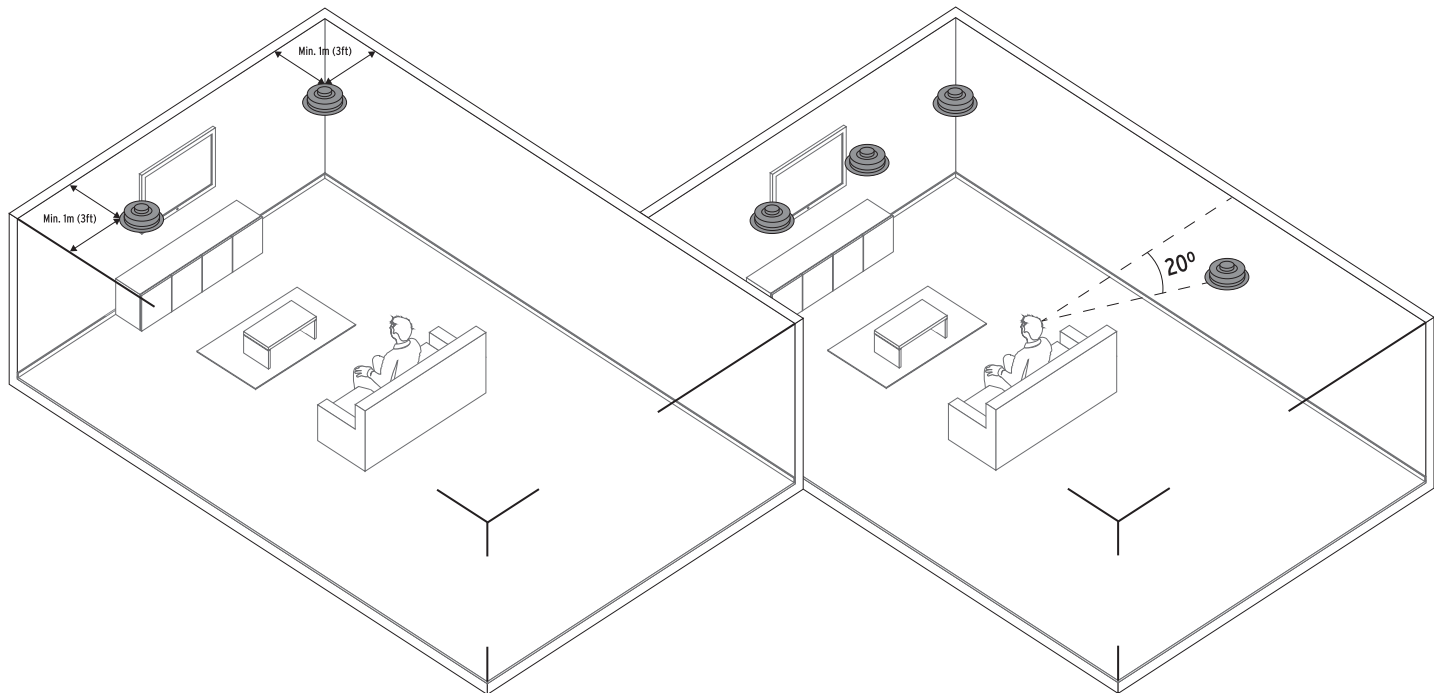
PLACEMENT

POSITIONNEMENT UBICACIÓN PLATZIERUNG POSIÇÃO COLLOCAZIONE 布置



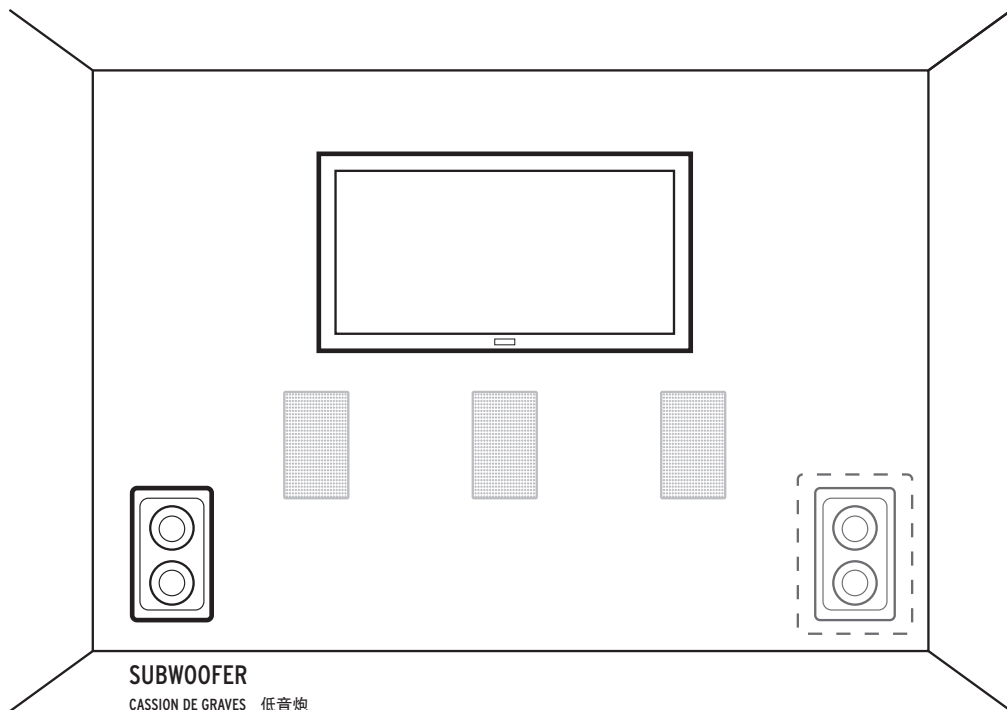
PLACEMENT

POSITIONNEMENT UBICACIÓN PLATZIERUNG POSIÇÃO COLLOCAZIONE 布置



PLACEMENT

POSITIONNEMENT UBICACIÓN PLATZIERUNG POSIÇÃO COLLOCAZIONE 布置

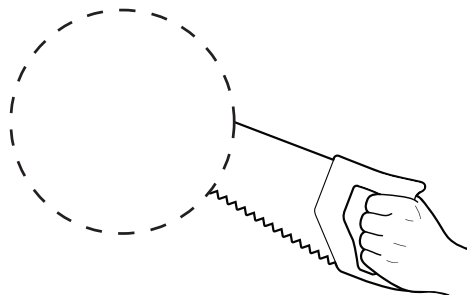
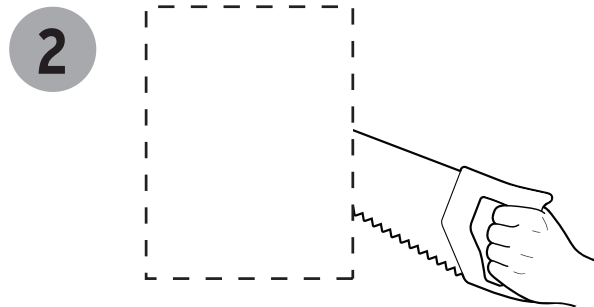
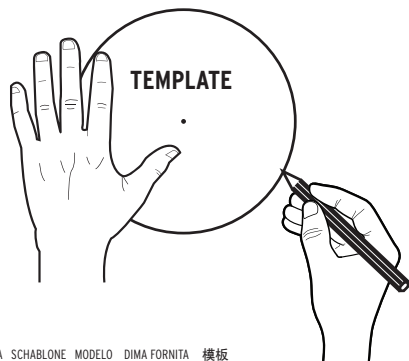
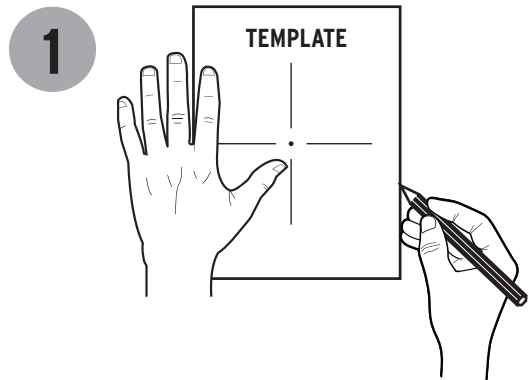


SUBWOOFER

CASSION DE GRAVES 低音炮

CUT OUT

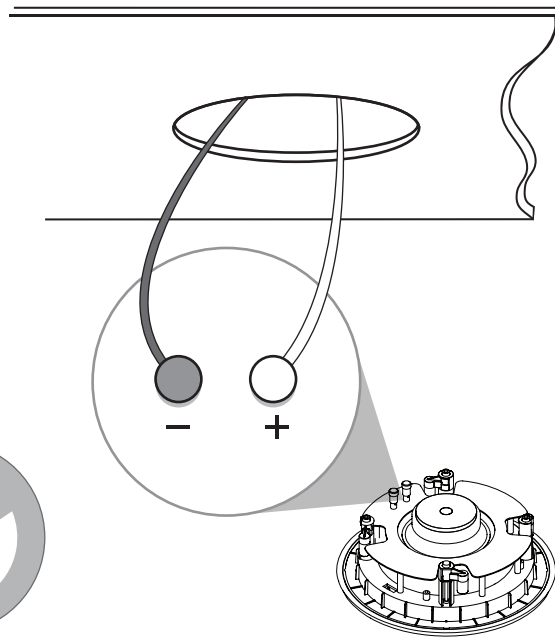
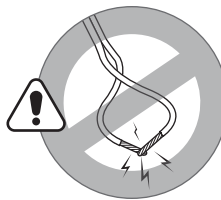
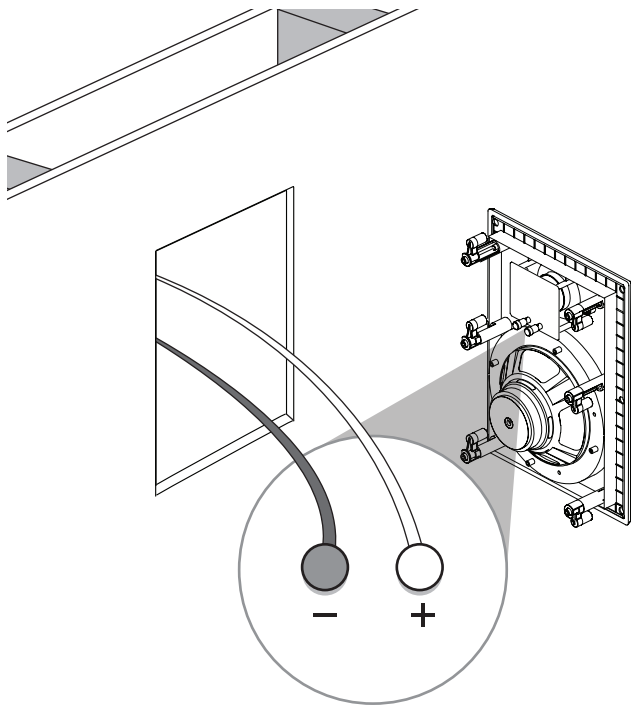
DÉCOUPER SEPARAR AUSGESCHNITTEN RECORTAR RITAGLIARE 剪下



TEMPLATE
GABARIT PLANTILLA SCHABLONE MODELO DIMA FORNITA 模板

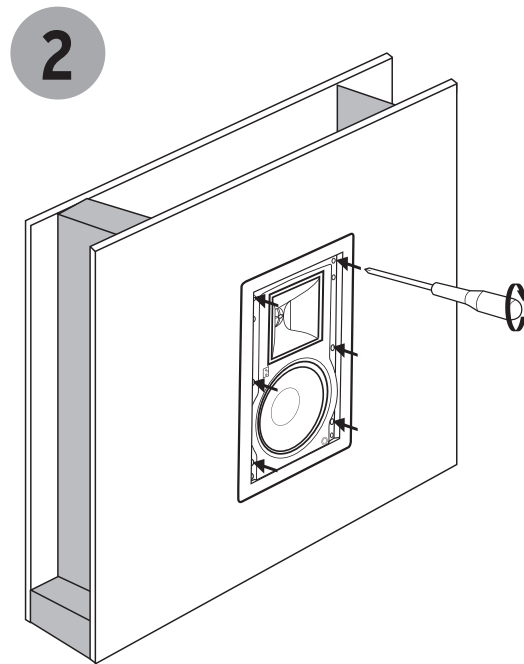
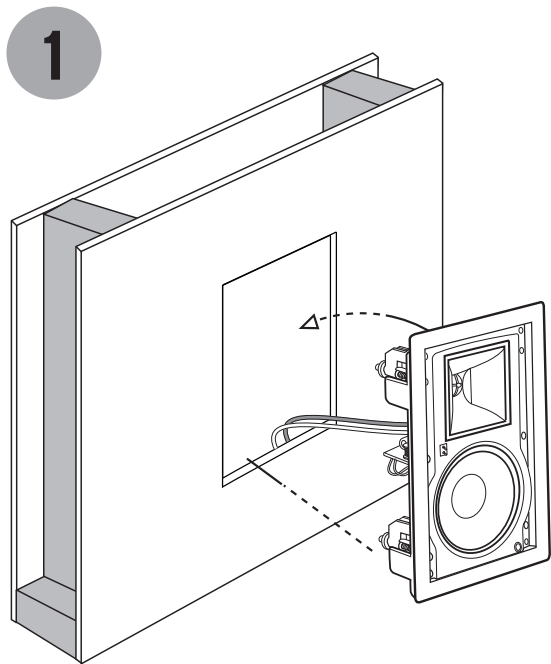
CONNECTIONS

BRANCHEMENTS CONEXIONES ANSCHLÜSSE CONNESSIONI CONEXÕES 连接



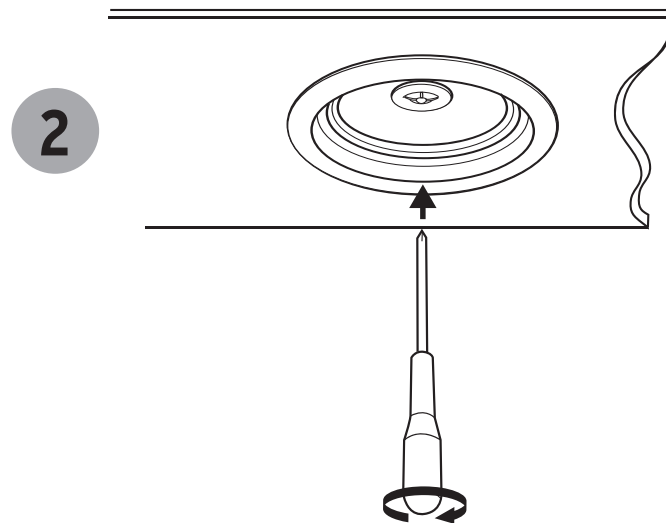
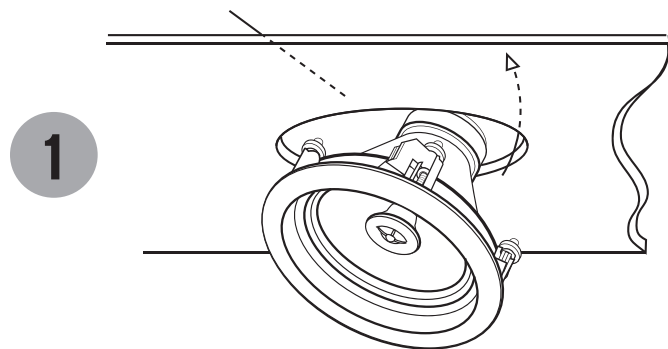
INSTALLATION

INSTALLATION CONFIGURACIÓN INSTALLATION APPONTAMENTO INSTALAÇÃO 设置



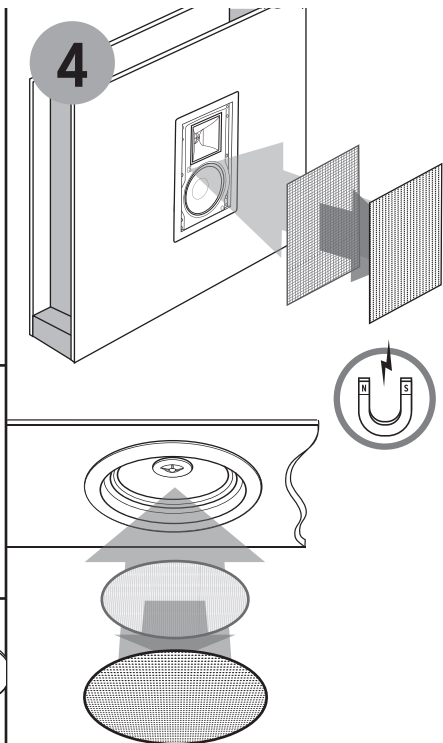
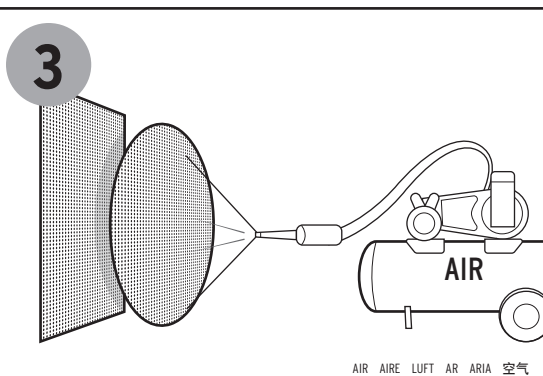
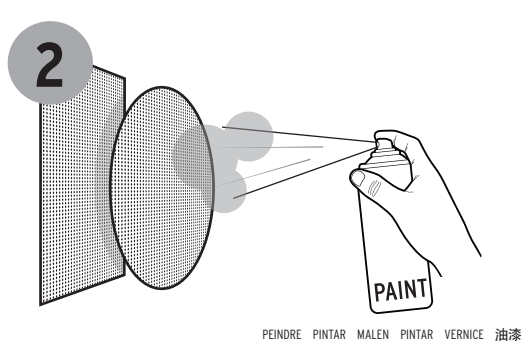
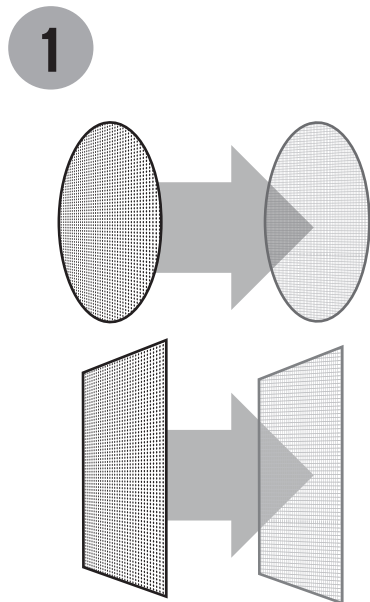
INSTALLATION

INSTALLATION CONFIGURACIÓN INSTALLATION APPONTAMENTO INSTALAÇÃO 设置



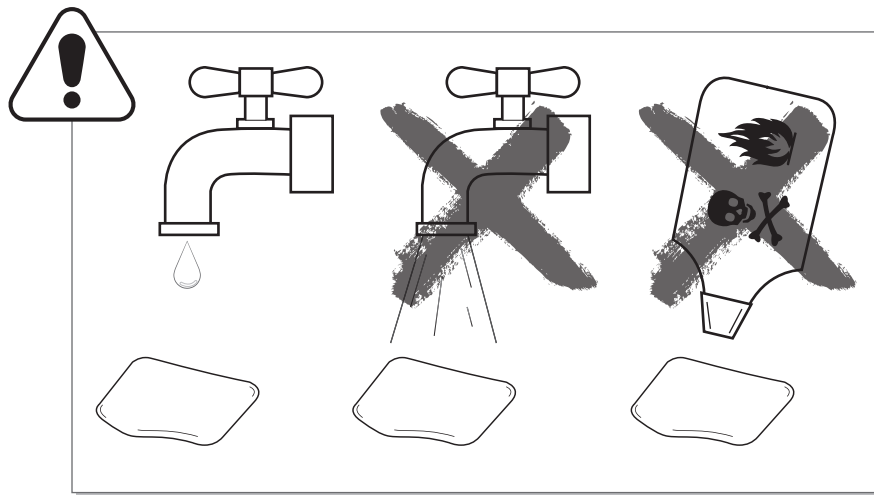
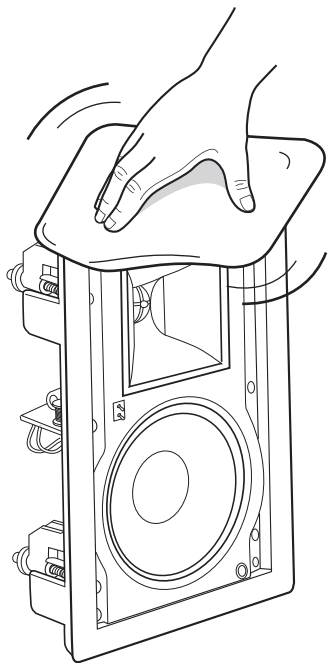
PAINTING

PEINDRE PINTAR MALEN PINTAR VERNICE 油漆



CARE AND CLEANING

ENTRETIEN ET NETTOYAGE CUIDADO Y LIMPIEZA PFLEGE UND REINIGUNG CURA E PULIZIA CUIDADOS E LIMPEZA 保养与清洁





Klipsch®

KEEPERS OF THE SOUND

3502 WOODVIEW TRACE, INDIANAPOLIS, IN, USA

KLIPSCH.COM

1-800-KLIPSCH ©2015 KLIPSCH GROUP, INC. ALL RIGHTS RESERVED. KLIPSCH AND KEEPERS OF THE SOUND ARE REGISTERED TRADEMARKS OF KLIPSCH GROUP, INC. IN THE USA AND OTHER COUNTRIES.
A WHOLLY-OWNED SUBSIDIARY OF VOXX INTERNATIONAL CORPORATION.

V01-0126