

Lutron Connect Bridge

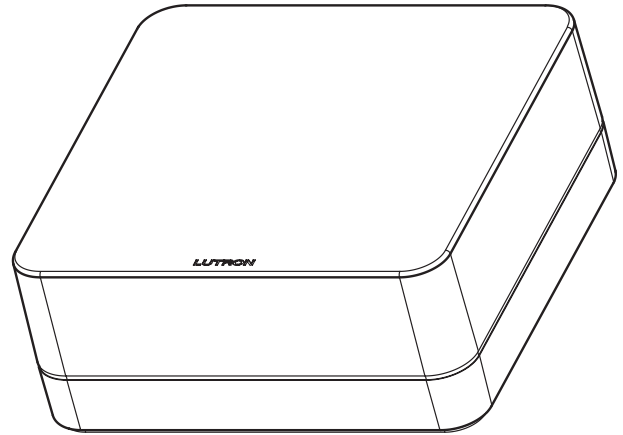
The Lutron Connect Bridge creates a link between a RadioRA 2 or HomeWorks QS system and the Lutron cloud, enabling remote access to your system.

Features

- Works with the Lutron Connect app (Android® and iOS®)
- Provides remote access for control and monitoring of system via Lutron Connect app^{1,2}
- Timeclock syncing to always ensure accurate system time
- Compatible with *Apple HomeKit* technology for up to 99 zones.²
 - Uses *Siri* voice control to adjust lights and shades
- Sonos® endorsed integration³
- Integrates with Amazon® Alexa®-enabled devices⁴
- Supports geofencing from the Lutron Connect App

Models Available

- **CONNECT-BDG2-1:** 5 V \equiv 300 mA
(North America with Power Supply T-5DC-USB-WH)
- **CONNECT-BDG2-2:** 5 V \equiv 300 mA
(Without Power Supply)
- **CONNECT-BDG2-3:** 5 V \equiv 300 mA
(With Power Supply Kit T-5V-PS-KIT-BL - includes 4 plug adapters for United Kingdom, Europe, Australia, and China)



Lutron Connect Bridge

¹ The Lutron Connect Bridge is required when using the Lutron Connect app. The Lutron Connect App is compatible with iOS devices version 9.0 or later and Android devices 4.1 (Jellybean) or later.

² To control this *HomeKit*-enabled accessory, iOS 9.0 or later is recommended. Communication between *iPhone*, *iPad*, or *iPod Touch* and *HomeKit*-enabled Connect Bridge is secured by *HomeKit* technology. Controlling this *HomeKit*-enabled accessory automatically and away from home requires an *Apple TV* with tvOS 10.0 or later or an *iPad* with iOS 10.0 or later set up as a home hub.

³ A working internet connection, Lutron Connect Bridge, Lutron Connect App 2.0 or newer and Sonos app are required.

⁴ A working internet connection, Lutron Connect Bridge, and Lutron Connect App 3.0 or newer are required.

Lutron Connect Bridge

Specifications

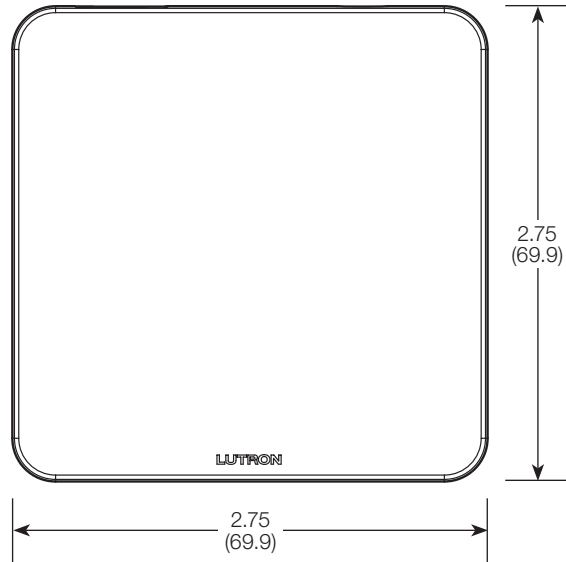
Model Numbers	CONNECT-BDG2-1, CONNECT-BDG2-2, CONNECT-BDG2-3
Power	5 V \equiv 300 mA <i>Power Supply</i> (CONNECT-BDG2-1): 5 V \equiv 550 mA; cable length 6 ft (1.83 m) <i>Power Supply Kit</i> (CONNECT-BDG2-3): 5 V \equiv 1000 mA; cable length 6 ft (1.83 m)
Typical Power Consumption	1.3 W <i>Test conditions:</i> LED on, Ethernet cable plugged in, powered by the 5 V \equiv power supply
Regulatory Approvals	cULus $\text{\textcircled{R}}$ listed; certified for IEC/EN compliance; CE marked; FCC/Industry Canada Compliant. <i>CONNECT-BDG2-1 Power Supply (T-5DC-USB-WH):</i> cULus $\text{\textcircled{R}}$ listed; NOM certified. <i>CONNECT-BDG2-3 Power Supply Kit (T-5V-PS-KIT-BL):</i> cULus $\text{\textcircled{R}}$ listed; CE marked; CCC certified.
Environment	<i>Ambient operating temperature:</i> 32 °F to 104 °F (0 °C to 40 °C), 0% to 90% non-condensing humidity. Indoor use only.
Communications	Internet connection is required for initial setup, to maintain system date/time, for remote access from the Lutron Connect app, and to receive periodic firmware updates. Network connection to RadioRA 2 main repeater or HomeWorks QS processor is required.
Protection	Tested to withstand electrostatic discharge without damage or memory loss in accordance with IEC 61000-4-2. Tested to withstand surge voltages without damage or loss of operation in accordance with IEEE C62.41-1991.
Power Failure	<i>Power failure memory:</i> should power be interrupted, the Lutron Connect Bridge will return to its previous state and reconnect to the Lutron system and cloud services when power is restored.
Connections	<i>Ethernet:</i> 3 ft (0.92 m) cable included for internet and Lutron Connect Bridge connection via RadioRA 2 main repeater or HomeWorks QS processor. Micro USB cable (power only).
Warranty	www.lutron.com/TechnicalDocumentLibrary/warranty.pdf www.lutron.com/TechnicalDocumentLibrary/Intl_warranty.pdf

Lutron Connect Bridge

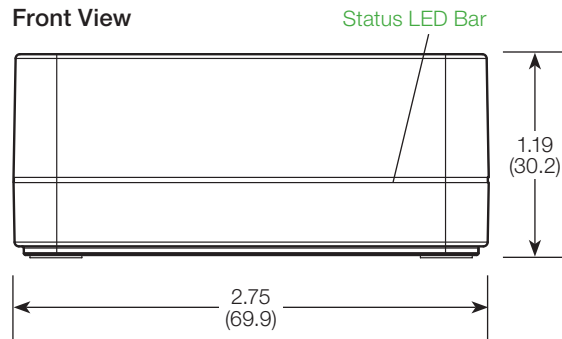
Dimensions

Measurements shown as: in (mm)

Top View



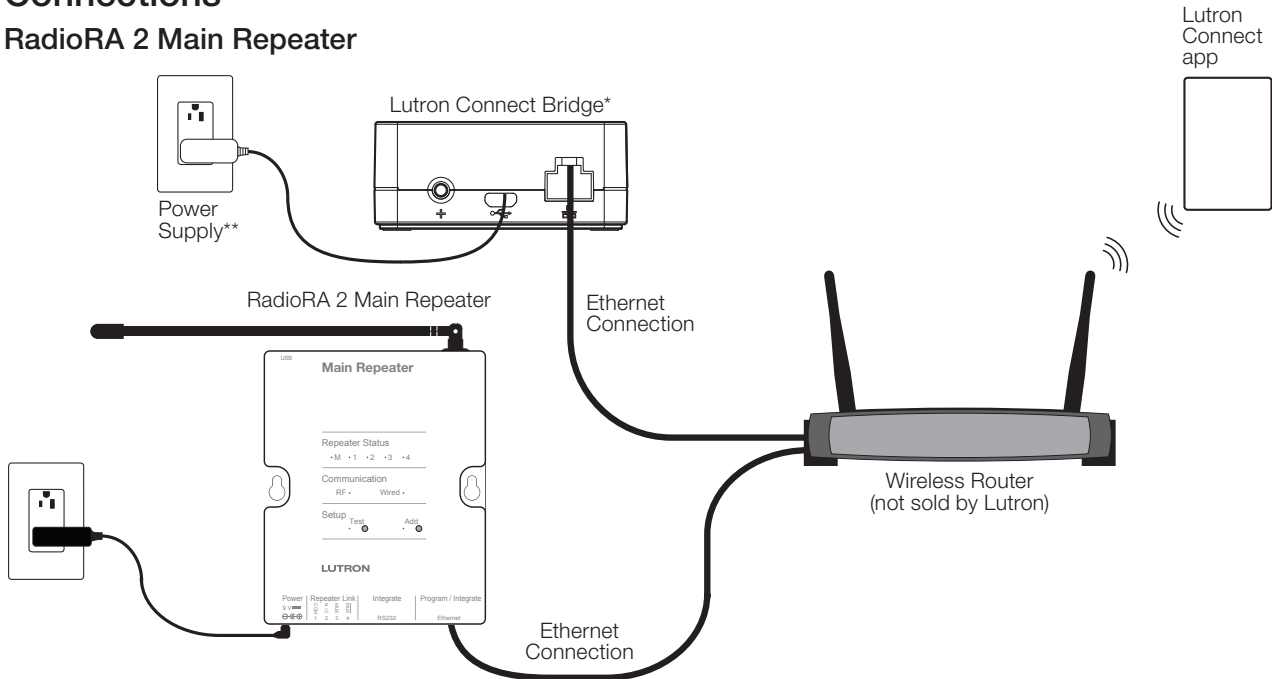
Front View



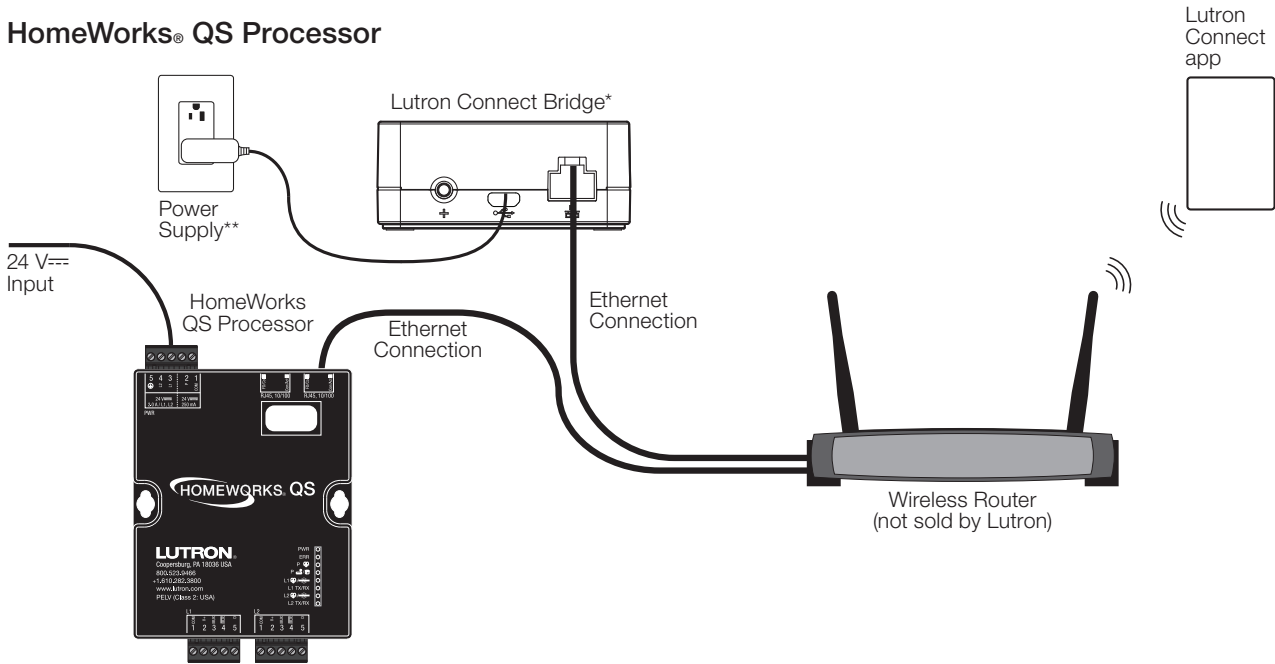
Lutron Connect Bridge

Connections

RadioRA 2 Main Repeater



HomeWorks® QS Processor



* The Lutron Connect Bridge must be on the same subnet as the RadioRA 2 Main Repeater or the HomeWorks QS Processor.

** Power supply included with CONNECT-BDG2-1 and CONNECT-BDG2-3.

☀️ Lutron, Lutron, HomeWorks, and RadioRA are trademarks of Lutron Electronics Co., Inc., registered in the U.S. and other countries

Lutron Connect Bridge and RadioRA 2 are trademarks of Lutron Electronics Co., Inc.

Apple, Apple TV, iPad, iPod touch, iPhone, and Siri are trademarks of Apple Inc., registered in the U.S. and other countries.

HomeKit and tvOS are trademarks of Apple Inc.

iOS is a registered trademark of Cisco in the U.S. and other countries and is used under license.

Android is a trademark of Google Inc.

Sonos is a registered trademark of Sonos, Inc.

Amazon and Alexa are registered trademarks of Amazon.com