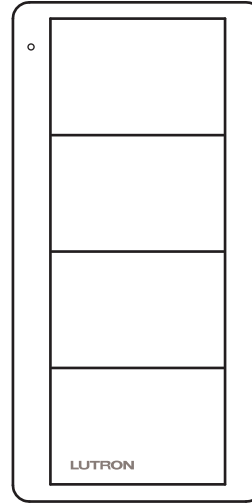


## Pico® 4-Button Wireless Remote

The Pico® wireless remote is a flexible and easy to use device that allows the user to control Lutron® wireless load-control devices from anywhere in the space. This battery-operated control requires no external power or communication wiring.

### Features

- Provides control for the following:
  - Energi Savr Node™ systems programmed with handheld App, through the use of a QS sensor module (QSM)
  - Vive™ systems, including:
    - Maestro Wireless® controls
    - PowPak® relay module, CCO module, and 0–10 V<sub>rms</sub> (EcoSystem® module not available)
  - GRAFIK Eye® QS wireless systems
  - HomeWorks® QS wireless systems
  - RadioRA® 2 systems
  - Serena® RF remote control shades
  - Sivoia® QS wireless systems
  - Caséta® Wireless controls
  - Quantum® systems<sup>1</sup>, through the use of a QS sensor module (QSM)
  - myRoom® prime and plus systems
- Custom engraving options.
- Control available in a variety of button marking options.
- Easy reconfiguration for use as:
  - Handheld remote
  - Wall-mount control (with or without faceplate; faceplate adapter kit sold separately)
  - Car visor control (car visor clip sold separately)
  - Table-top control (table-top pedestal sold separately)



Pico® 4-Button Wireless Remote

- Utilizes Lutron® reliable Clear Connect® RF technology.
- Battery-powered. Requires no wiring.
- 10 year battery life<sup>2</sup> (one CR2032 battery included).
- Can provide control of shades, drapes, or lighting devices within a range of 30 ft (9 m) through walls and 60 ft (18 m) line-of-sight.

<sup>1</sup> Available 1st quarter, 2016.

<sup>2</sup> Based on a 1 year shelf life, an average of 10 button presses per day, and an ambient temperature of 86 °F (30 °C). Actual life may vary based on usage and environmental conditions.

<b>Job Name:</b>	<b>Model Numbers:</b>
<b>Job Number:</b>	

## Specifications

### Regulatory Approvals

- Lutron® Quality Systems registered to ISO 9001:2008.
- FCC Certified (U.S.A.)
- IC Certified (Canada)
- COFETEL Certified (Mexico)
- SUTEL Certified (Costa Rica)
- Anatel Certified (Brazil)

### Power

- Operating Voltage 3 V<sup>---</sup>
- (1) CR2032 battery (included)

### System Communication and Capacity

- Communicates using Radio Frequency (RF) at 431 MHz to 437 MHz.
- Thousands of system addresses prevent interference between systems.
- Can be assigned to control shades, drapes, or lighting devices within a range of 30 ft (9 m) through walls and 60 ft (18 m) line-of-sight.

### Mounting Considerations

- Mounting of any RF devices on or in close proximity to a metal surface will drastically reduce the effective range of radio signal transmission or reception. For mounting on metal surfaces, please contact Lutron.
- All RF devices must be mounted on non-conductive materials to ensure proper performance.
- Wall mounting adhesive included. See **Mounting Options** section for other options.

### Environment

- Ambient operating temperature: 32 °F to 140 °F (0 °C to 60 °C)
- Maximum 90% non-condensing relative humidity
- Indoor use only

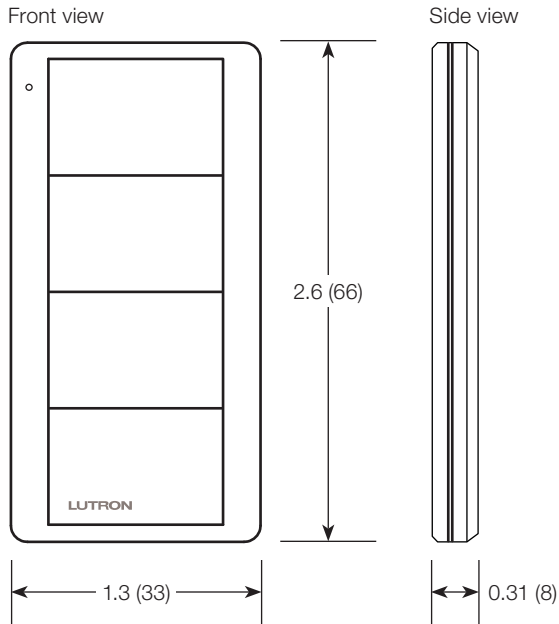
### Warranty

- 1 Year Limited Warranty. For additional Warranty information, please visit [www.lutron.com/TechnicalDocumentLibrary/369-119\\_Wallbox\\_Warranty.pdf](http://www.lutron.com/TechnicalDocumentLibrary/369-119_Wallbox_Warranty.pdf)

<b>Job Name:</b>  <b>Job Number:</b>	<b>Model Numbers:</b>
--	-----------------------

### Dimensions

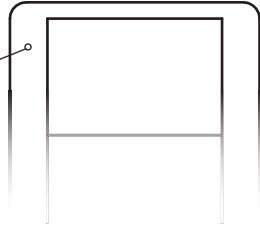
Measurements shown as: in (mm)



Job Name:  Job Number:	Model Numbers:
------------------------------	----------------

# Operation

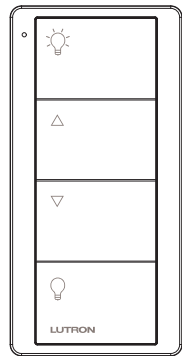
**Indicator LED**  
Flashes to indicate a button press or when unit is in programming mode.



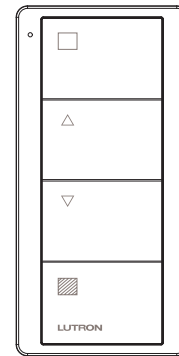
## Zone Controls (2BRL)

Lights Models: L01, EL1

Shades Models: S01, ES1



- ON Button**  
Lights brighten to full intensity.
- Raise Button**  
Lights increase in intensity.
- Lower Button**  
Lights decrease in intensity.
- OFF Button**  
Lights dim to off.



- OPEN Button**  
Shades open fully.
- Raise Button**  
Shades open gradually.
- Lower Button**  
Shades close gradually.
- CLOSE Button**  
Shades close fully.

### Zone Controls (-S01, -ES1) Shade Functionality

System Type	Serena® Wireless	Triathlon® Wireless	Sivoia® QS Wireless	Sivoia® QS Wired
Standalone Pico®	Yes <sup>1</sup>	Yes <sup>1</sup>	Yes	Yes <sup>2</sup>
Caséta® Smart Bridge™	Yes	—	—	—
Caséta® Smart Bridge™ Pro	Yes	Yes	Yes	—
RadioRA® 2	—	Yes	Yes	—
HomeWorks® QS	—	Yes <sup>3</sup>	Yes <sup>3</sup>	Yes <sup>3</sup>
Quantum® systems <sup>1</sup>	—	—	—	Yes <sup>2</sup>
myRoom™ prime	Yes <sup>1</sup>	Yes <sup>1</sup>	Yes	Yes <sup>2</sup>
myRoom™ plus	—	Yes <sup>3</sup>	Yes <sup>3</sup>	Yes <sup>3</sup>

<sup>1</sup> Available 1<sup>st</sup> quarter, 2016.  
<sup>2</sup> QS sensor module required.  
<sup>3</sup> Either a QS sensor module or a Hybrid Repeater is required.

(continued on next page...)

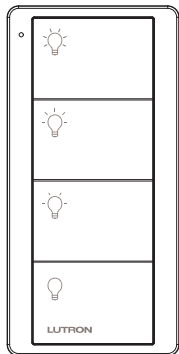
<b>Job Name:</b>	<b>Model Numbers:</b>
<b>Job Number:</b>	

## Operation (continued)

### Scene Controls (Default settings: 100%, 66%, 33%, 0)

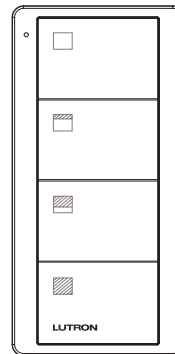
Lights Models: L31, EL2

Shades Models: S31, ES2



**3 Scene Buttons**  
Tap once: Sends device to preset levels.  
Press and hold for 6 seconds: Saves new preset level or position.

**OFF Button**  
Lights dim to off.



**OPEN Button**  
Shades open fully.

**2 Scene Buttons**  
Tap once: Sends device to preset levels.  
Press and hold for 6 seconds: Saves new preset level or position.

**CLOSE Button**  
Shades close fully.

### Scene Controls (-S31, -ES2) Shade Functionality

System Type	Serena® Wireless	Triathlon® Wireless	Sivoia® QS Wireless	Sivoia® QS Wired
Standalone Pico®	—	—	Yes	—
Caséta® Smart Bridge™	Yes	—	—	—
Caséta® Smart Bridge™ Pro	Yes	Yes	Yes	—
RadioRA® 2	—	Yes	Yes	—
HomeWorks® QS	—	Yes <sup>1</sup>	Yes <sup>1</sup>	Yes <sup>1</sup>
Quantum® systems <sup>2</sup>	—	—	—	Yes <sup>3</sup>
myRoom™ prime	—	—	Yes	—
myRoom™ plus	—	Yes <sup>1</sup>	Yes <sup>1</sup>	Yes <sup>1</sup>

<sup>1</sup> Either a QS sensor module or a Hybrid Repeater is required.

<sup>2</sup> Available 1<sup>st</sup> quarter, 2016.

<sup>3</sup> QS sensor module required.

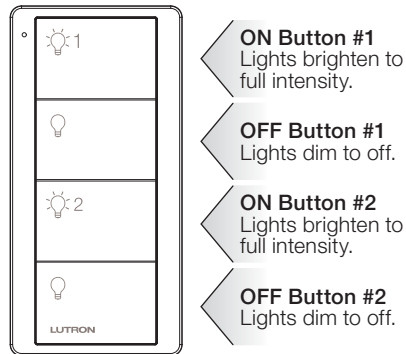
(continued on next page...)

<b>Job Name:</b>	<b>Model Numbers:</b>
<b>Job Number:</b>	

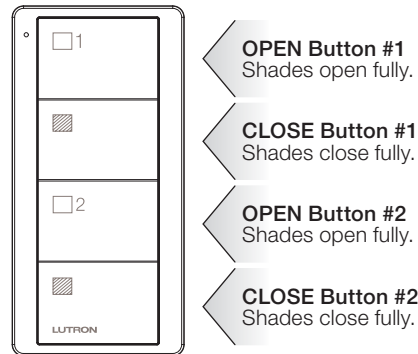
## Operation (continued)

### 2-Group Controls

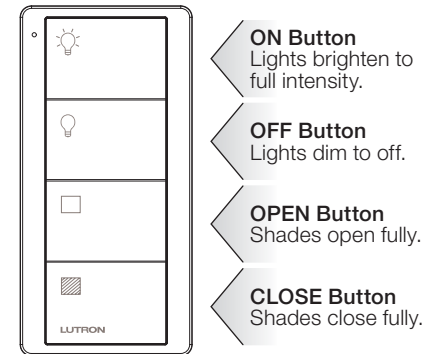
Lights Model: L21



Shades Model: S21



Lights/Shades Model: LS21



### 2-Group Controls (-S21, -LS21) Shade Functionality

System Type	Serena® Wireless	Triathlon® Wireless	Sivoia® QS Wireless	Sivoia® QS Wired
Standalone Pico®	—	—	Yes	—
Caséta® Smart Bridge™	Yes	—	—	—
Caséta® Smart Bridge™ Pro	Yes	Yes	Yes	—
RadioRA® 2	—	Yes	Yes	—
HomeWorks® QS	—	Yes <sup>1</sup>	Yes <sup>1</sup>	Yes <sup>1</sup>
Quantum® systems <sup>2</sup>	—	—	—	Yes <sup>3</sup>
myRoom™ prime	—	—	Yes	—
myRoom™ plus	—	Yes <sup>1</sup>	Yes <sup>1</sup>	Yes <sup>1</sup>

<sup>1</sup> Either a QS sensor module or a Hybrid Repeater is required.

<sup>2</sup> Available 1<sup>st</sup> quarter, 2016.

<sup>3</sup> QS sensor module required.

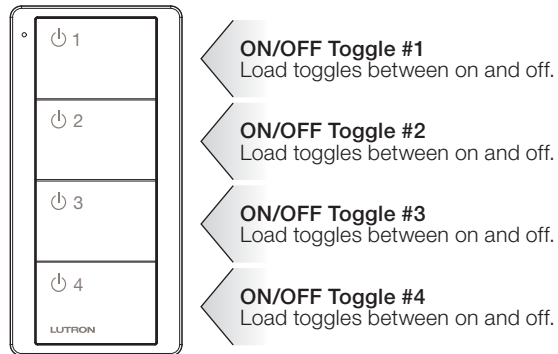
(continued on next page...)

Job Name:	Model Numbers:
Job Number:	

## Operation (continued)

### 4-Group Toggle (HomeWorks® QS, Quantum®, and myRoom™ plus systems only)

Model: L41



### 4-Group Toggle Controls (-L41) Shade Functionality

System Type	Serena® Wireless	Triathlon® Wireless	Sivoia® QS Wireless	Sivoia® QS Wired
Standalone Pico®	—	—	—	—
Caséta® Smart Bridge™	—	—	—	—
Caséta® Smart Bridge™ Pro	—	—	—	—
RadioRA® 2	—	—	—	—
HomeWorks® QS	—	Yes <sup>1</sup>	Yes <sup>1</sup>	Yes <sup>1</sup>
Quantum® systems <sup>2</sup>	—	—	—	Yes <sup>3</sup>
myRoom™ prime	—	—	—	—
myRoom™ plus	—	Yes <sup>1</sup>	Yes <sup>1</sup>	Yes <sup>1</sup>

<sup>1</sup> Either a QS sensor module or a Hybrid Repeater is required.

<sup>2</sup> Available 1<sup>st</sup> quarter, 2016.

<sup>3</sup> QS sensor module required.

<b>Job Name:</b>	<b>Model Numbers:</b>
<b>Job Number:</b>	

## Model Number

For order quantities of 96 pieces or greater of the same model number, bulk packaging may be available. Mounting hardware is not included with bulk packaging. For availability, please contact Lutron® Customer Service at 1.888.LUTRON1 (1.888.588.7661).

### Standard Icon Models



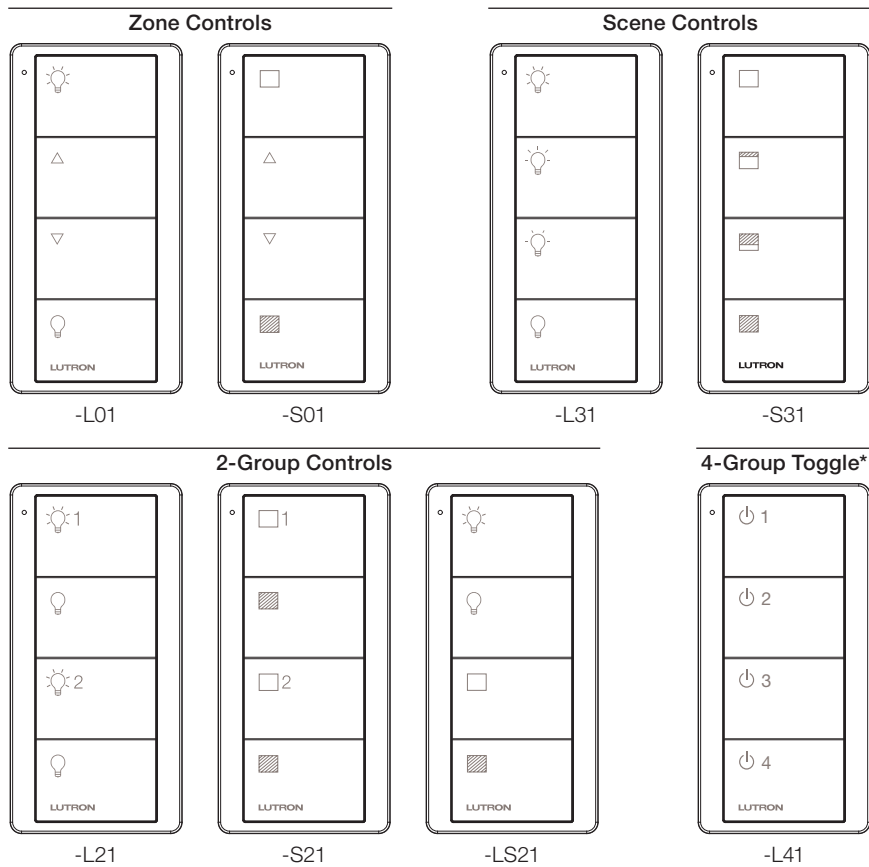
### Frequency/Channel Code

J: 431.0–437.0 MHz

### Color Codes

Gloss Color	Code
White	WH
Black	BL
Ivory	IV
Light Almond	LA

### Button Marking Codes



\* HomeWorks® QS, myRoom™, and Quantum® systems only

(continued on next page...)

<b>Job Name:</b>	<b>Model Numbers:</b>
<b>Job Number:</b>	



## Model Number (continued)

### Customizable Engraving Models

Pico® 4-Button wireless remote will be the first Pico® product to offer customizable engraving on Zone and Scene controls for both lights and shades. The following text restrictions and button marking codes must be considered when ordering from Lutron® Customer Service:

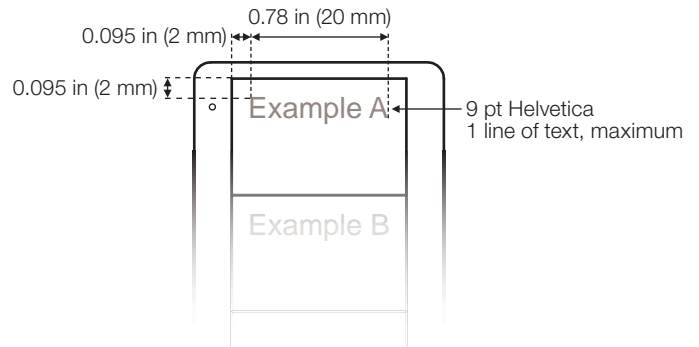


### Frequency/Channel Code

J: 431.0–437.0 MHz

### Color Codes

Gloss Color	Code
White	WH
Black	BL
Ivory	IV
Light Almond	LA

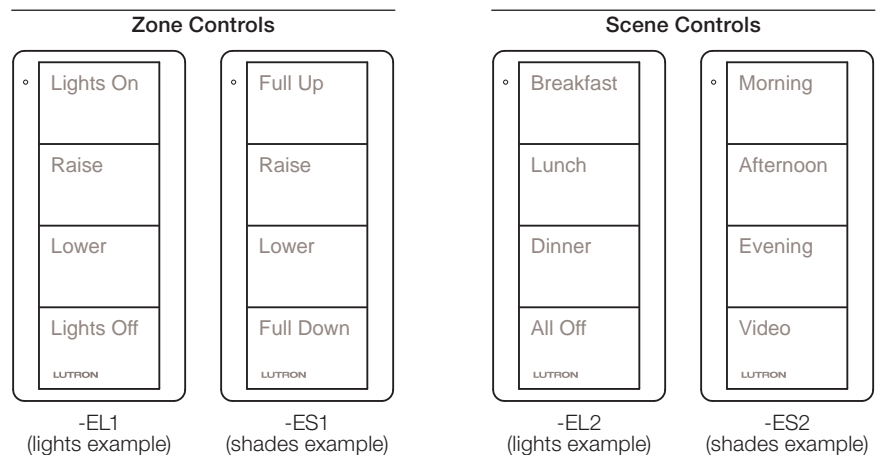


### Button Marking Codes

Custom-engraved models for Zone control keypads (-L01, -S01) and Scene control keypads (-L31, -S31) are available but require a different set of button marking codes when ordering (**Note:** 2-Group [-L21, -S21, -LS21] and 4-Group Toggle [-L41] controls are not offered with the custom engraving option).

	Button Marking Codes	
	Standard Engraving	Custom Engraving
Zone Control of Lights	-L01	-EL1
Zone Control of Shades	-S01	-ES1
Scene Control of Lights	-L31	-EL2
Scene Control of Shades	-S31	-ES2

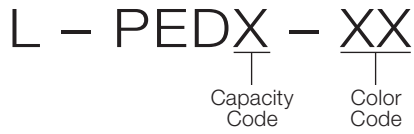
When selecting alternate labels for buttons, remember button functionality presets as shown in the **Operation** section on pages 4 and 5. The examples to the right show sample text choices:



Job Name:	Model Numbers:
Job Number:	

### Pico® Pedestal Model Number

Pedestals sold separately.



#### Capacity Codes

Capacity	Code
Single	1
Double	2
Triple	3
Quadruple	4

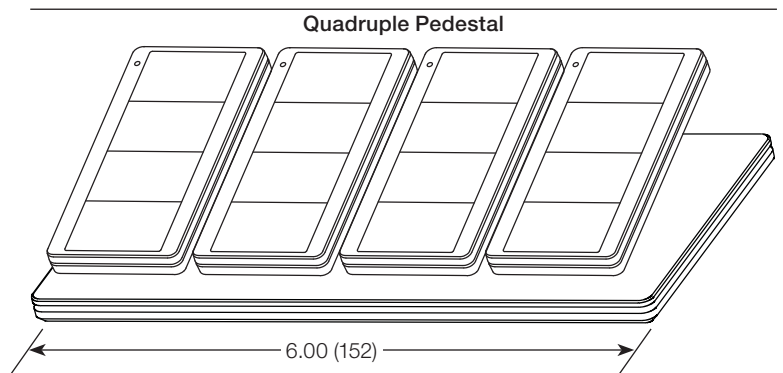
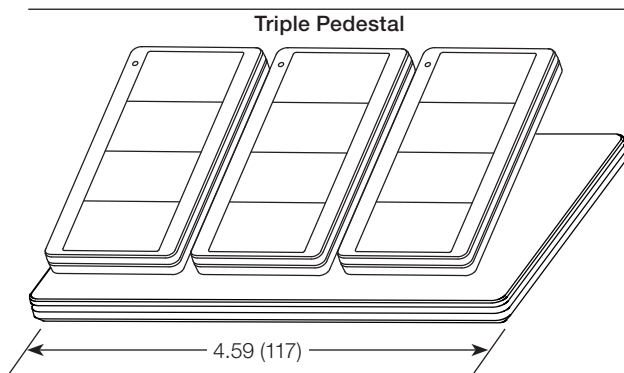
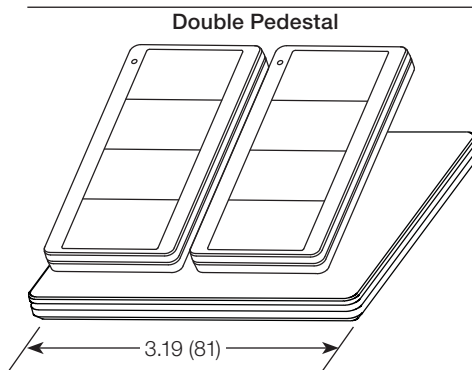
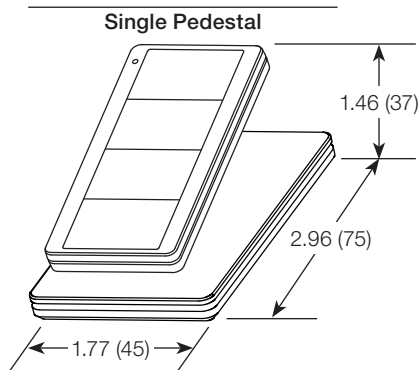
#### Color Codes

Available in gloss finish only.

Color	Code
White	WH
Black	BL

#### Dimensions

Measurements shown as: in (mm)



<b>Job Name:</b>	<b>Model Numbers:</b>
<b>Job Number:</b>	

### Mounting Options

#### Standalone Mounting: Adhesive-Mount

Included with Pico® wireless remote



#### Standalone Mounting: Screw-Mount

Model PICO-SM-KIT (sold separately)

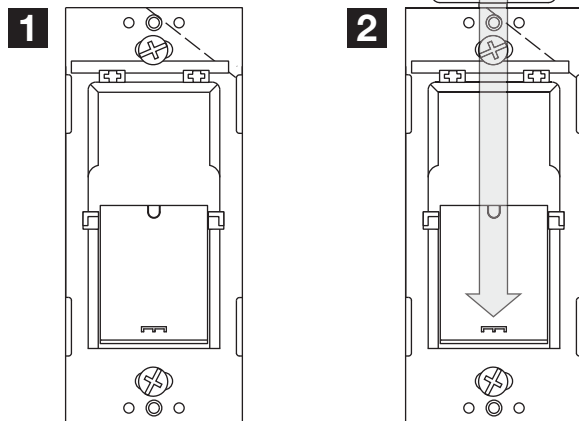
Kit includes special screws to be used for more permanent mounting and/or for non-smooth surfaces.



#### Wallbox Adapter

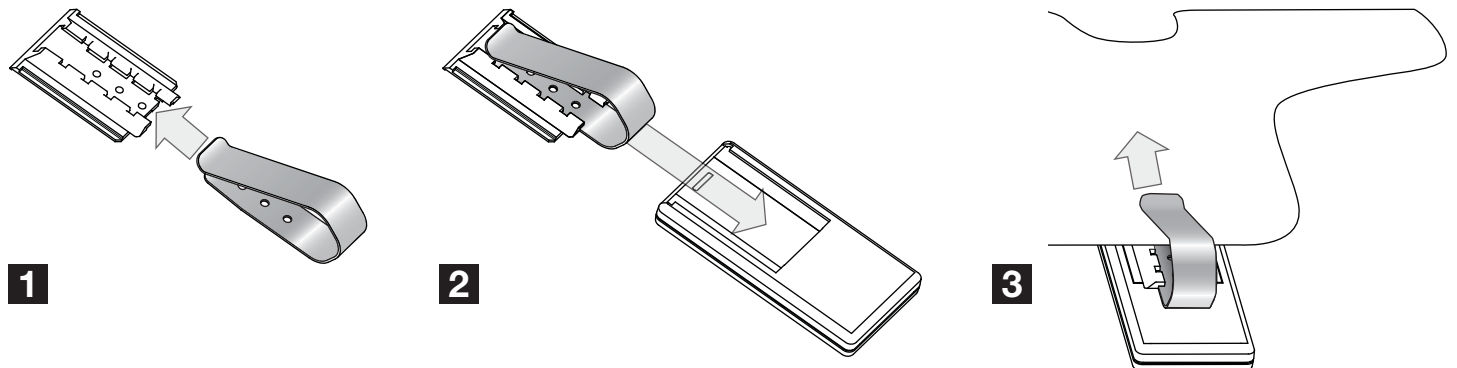
Model PICO-WBX-ADAPT (sold separately)

Wallplate adapter/wallplate sold separately.



#### Mounting to a Car Visor

Model PICO-CARVISOR-CL (sold separately)



Job Name:	Model Numbers:
Job Number:	