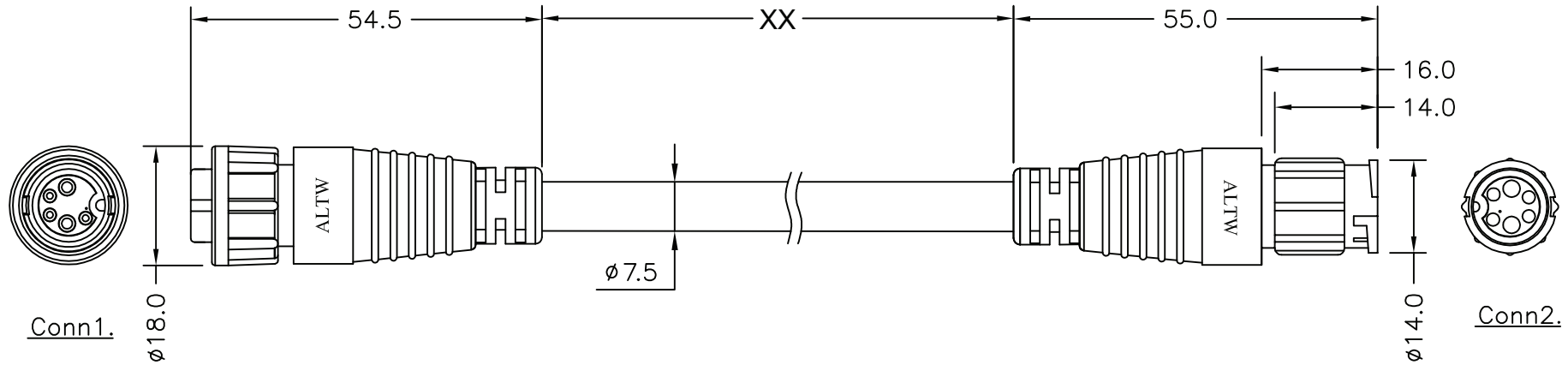


REVISION HISTORY

DATE	REV.	DESCRIPTION	BY
20.02.2018	A	First release	ltousgaard



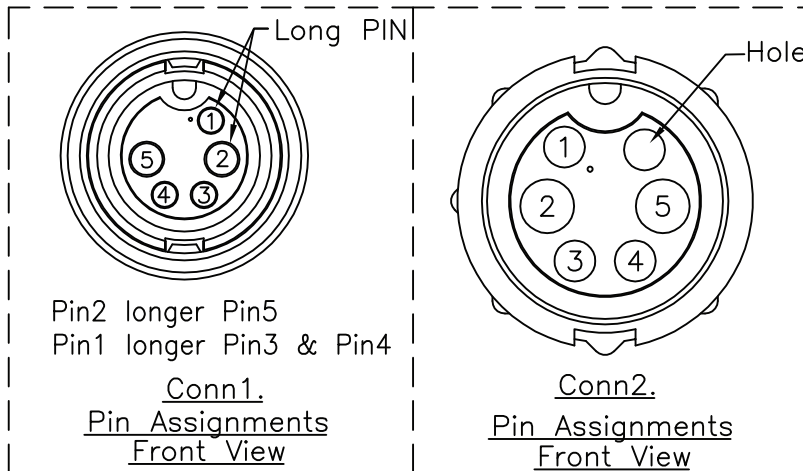
**Drawing applies to:**

- 91616055 Power+Data Cable Instal CMX BBD-BBD 1m
- 91616056 Power+Data Cable Instal CMX BBD-BBD 2,5m
- 91616057 Power+Data Cable Instal CMX BBD-BBD 5m
- 91616058 Power+Data Cable Instal CMX BBD-BBD 10m
- 91616059 Power+Data Cable Instal CMX BBD-BBD 25m
- 91616060 Power+Data Cable Instal CMX 100m (no conn.)

**Note:**

- Ingress Protection: IP67
- Working Voltage: 50VDC
- Working Current: 10A power / 5A data
- Temperature Range: -20C to +90C
- Sunlight Resistant
- Connector: Nylon+GF, UL94V-0, F1, black
- Male pin: Copper alloy, gold plated
- Female pin: Copper alloy, gold plated
- Lock nut: Nylon+GF, UL94V-0, F1, black
- O-ring: Silicon, UL94V-0, grey
- Cable: CMX (26AWG\*1P+D+AL/My)+(14AWG\*2C)+AL/My PVC jacket sunlight resistance, black
- Minimum Bending Radius: 10xOD

General Technical Specification apply to this item



© 2018 HARMAN Professional Denmark ApS PROPRIETARY AND CONFIDENTIAL PROPERTY OF HARMAN. DO NOT DISCLOSE, REPRODUCE, OR PUBLISH WITHOUT WRITTEN HARMAN APPROVAL.	Material	FIRST ANGLE PROJECTION	
	General linear tolerance		
	General angular tolerance		
	Color		
ROHS RESTRICTION OF HAZARDOUS SUBSTANCES ALL MATERIALS USED IN THIS PART MUST BE ROHS COMPLIANT. SUPPLIER SHALL PROVIDE A CERTIFICATE OF ROHS COMPLIANCE WITH THE FIRST ARTICLE.	DIMENSIONS SHOWN ARE FOR REFERENCE AND INSPECTION ONLY. REFER TO CAD MODEL PROVIDED WITH THIS DRAWING FOR OVERALL DEFINITION OF PART GEOMETRY.	Item to be	

Conn1.	Wire Color	Function	Conn2.
5	White (14AWG)	Vcc	5
4	Red (26AWG)	Data +	4
3	Green (26AWG)	Data -	3
2	Black (14AWG)	GND	2
1	Drain (24AWG)	Shield	1

		HARMAN Professional Denmark ApS Olof Palmes Allé 18 DK 8200 Aarhus N	
TITLE BBD Install Cable			
NO.		REV See table	
SIZE A4	SCALE -	DO NOT SCALE DRAWING	SHEET 1 OF 1