

HDBaseT EXTENDER
B-520-EXT-230-RS-W

BINARY

INSTALLATION MANUAL



IMPORTANT SAFETY INSTRUCTIONS

To reduce the risk of fire or electric shock, read and follow all instructions and warnings in this manual. Keep this manual for future reference.

1. Do not expose this apparatus to rain or moisture. Do not expose this equipment to dripping or splashing, and ensure that no objects filled with liquids, such as vases, are placed on the equipment. Do not use this apparatus near water.
2. Do not remove cover. No user serviceable parts inside.
3. Clean only with a dry cloth.
4. Do not block any ventilation openings. Install according to manufacturer's instructions.
5. Do not install near any heat sources such as radiators, heat registers, stoves or other apparatus (including amplifiers) that produce heat.
6. Do not override the safety purpose of the polarized or grounding plug. A polarized plug has two blades, one of which is wider than the other. A grounding plug has two matching blades and a third grounding prong. The wide blade or the third prong is provided for your safety. If the provided plug does not fit into your outlet, consult an electrician for replacement of the obsolete outlet.
7. Protect the power cord from being walked on or pinched, particularly at the plug end and where the power cord is attached to the apparatus.
8. Only use attachments and accessories specified by the manufacturer.
9. Refer all servicing to qualified service personnel. Servicing is required when the apparatus has been damaged in any way, such as when the power supply cord or plug is damaged, liquid has been spilled on or objects have fallen into the apparatus, the apparatus has been exposed to rain or moisture, the apparatus does not operate normally, or it has been dropped.
10. To completely disconnect this equipment from power, disconnect the power supply cord from the power outlet.



The lightning flash with arrowhead symbol, within an equilateral triangle, is intended to alert the user to the presence of suninsulated dangerous voltage within the product's enclosure that may be of sufficient magnitude to constitute a risk of electric shock to persons.



The exclamation point within an equilateral triangle is intended to alert the user to the presence of important operating and maintenance (servicing) instructions in the literature accompanying the appliance.



CONTENTS

1. Product Overview	4
2. Features.....	4
3. Package Contents.....	4
4. Device Layout.....	5
4.1. B-520-EXT-230-RS-W Transmitter	5
4.2. B-520-EXT-230-RS-W Receiver	6
5. Installation.....	7
5.1. B-520-EXT-230-RS-W Transmitter Installation	7
5.2. B-520-EXT-230-RS-W Receiver Installation	7
6. Applications	8
6.1. HDBaseT Link (RJ45) Connection.....	8
6.2. IR Control Connections	9
6.2.1. Point-to-Point IR Control – Stereo (3.5mm) IR Receiver	10
6.2.2. Control System - Mono (3.5mm) IR Receiver	10
6.2.3. IR Flasher Out – Mono (3.5mm)	11
6.3. RS-232 Control Connections	11
6.3.1. RS-232 Control (DB-9) Connection	12
6.3.2. RS-232 Operation Mode / Firmware Update Operation.....	12
6.4. HDMI Out (Transmitter).....	13
6.5. EDID Configuration.....	13
6.5.1. Auto EDID	13
6.5.2. HDBT EDID.....	13
6.6. Thread-Locking Power Connector	14
6.7. Optional Remote Power (Receiver Only)	14
7. Specifications	15
8. Support	16
9. Warranty.....	16

1. PRODUCT OVERVIEW

Welcome to Binary. This product is engineered to provide years of exceptional reliability. We appreciate your business, and we stand committed to providing our customers with the highest degree of quality and service in the industry.

This device extends HDMI over a single category cable using HDBaseT technology allowing video and audio transmission to remote displays. In addition, the device is equipped with bidirectional IR and RS-232 over the same category cable.

Since many installations are behind flat screen TVs, the B-520-EXT-230-RS-W receiver is made to mount in a double gang box. This receiver is PoC capable and can be optionally powered at the receiver via the front thread-locking power connector or the optional rear remote power connection.

This unit supports all HDMI defined audio and video formats, including 4K2K@30 Hz. Additionally, the design has been improved to solve the clock-stretching issue that can arise with cable boxes when used with HDBaseT extenders.

2. FEATURES

- Improved design to support clock-stretching issue
- In wall receiver (double gang box) design for easy installation
- Extends all HDMI formats up to:

Cable Type	Cat 5e/6	Cat 6a/7
1080i/720p 24-bit color	200'	230'
Full HD 1080p 24-bit color	200'	230'
Full HD 1080p 36-bit color	200'	230'
Ultra HD 4K2K@30 Hz	115'	130'

- Supports all HDMI supported audio formats, including DTS-HD Master and Dolby TrueHD
- Two selectable EDID options: Auto and HDBaseT output
- Bidirectional IR and RS-232
- PoC capable - can be powered from either the transmitter or receiver
- Remote power option

3. PACKAGE CONTENTS

- 1x B-520-EXT-230-RS-W Transmitter
- 1x B-520-EXT-230-RS-W Receiver
- 1x 12V DC, 2A Power Supply
- 1x Dual Gang Face Plate
- 2x Screws
- 1x Installation Manual
- 1x Power Supply Label
- 2x HDBaseT Labels

4. DEVICE LAYOUT

4.1. B-520-EXT-230-RS-W Transmitter

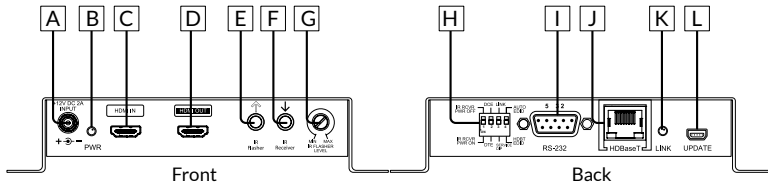


FIGURE 1: Transmitter Layout

A. Thread-locking Power Connector

Connect to the included 12V DC, 2A power supply

B. Power LED

Lights up blue when the unit has power

C. HDMI IN

HDMI Input to connect to the HDMI output of a source

D. HDMI Out

HDMI Output to connect to the HDMI input of a sink(display)

E. IR Flasher

IR output to connect to IR Flasher

F. IR Receiver

IR input to connect to IR Receiver or to output of a control system

G. IR Flasher level

Adjusts the intensity of the IR Flasher output

H. DIP Switches

IR RCVR PWR OFF/ON

OFF to connect to control system | ON to connect to IR Receiver

DCE/DTE

To select if serial (RS232) communication via DB-9 is in DTE or DCE mode

SERVICE /LINK (RS-232)

SERVICE for firmware operation | LINK for passthrough (normal) operation

HDBT EDID/AUTO EDID

HDBT to set EDID to resolution of sink at the HDBaseT Receiver end | AUTO to set EDID to lowest common resolution

I. RS-232

To communicate RS-232 command with the receiver when connected to a control system

J. HDBaseT (RJ45)

To connect to the HDBaseT RJ45 port on receiver

K. Link LED

Lights up green when synced with receiver

L. Update (mini USB port)

To connect mini USB cable when updating firmware

4.2. B-520-EXT-230-RS-W Receiver

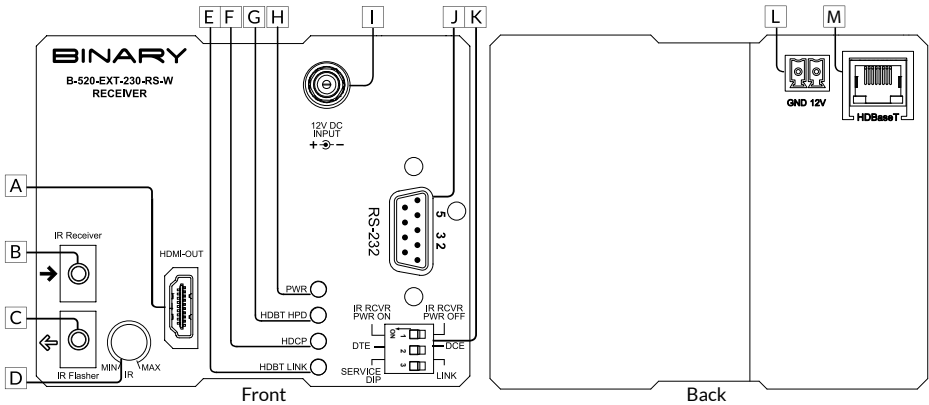


FIGURE 2: Receiver Layout

A. HDMI Out

HDMI Output to connect to the HDMI input of a sink(display)

B. IR Receiver

IR input to connect to IR Receiver or to output of a control system

C. IR Flasher

IR output to connect to IR Flasher

D. IR Flasher level

Adjusts the intensity of the IR Flasher output

E. HDBT Link LED

Lights up green when synced with receiver

F. HDCP LED

Lights up green when HDCP link has been established; Blinks when content does not require HDCP; Off when no HDMI signal is recognized

G. HDBT HPD LED

Lights up green when Hot Plug event is Detected

H. Power LED

Lights up blue when the unit has power

I. Thread-locking Power Connector

Connect to the included 12V DC, 2A power supply

J. RS-232

To communicate RS-232 command with the transmitter when connected to a control system

K. DIP Switches

IR RCVR PWR OFF/ON

OFF to connect to control system | ON to connect to IR Receiver

DCE/DTE

To select if serial (RS232) communication via DB-9 is in DTE or DCE mode

SERVICE /LINK (RS-232)

SERVICE for firmware operation | LINK for passthrough (normal) operation

L. Optional Remote Power (2 Conductor Removable)

Optional connection for power from a remote power source; 2/18 wire required

Note: Use only when the Latch-Locking Power Jack is not being used. Do not connect both power sources.

M. HDBaseT (RJ45)

To connect to the HDBaseT RJ45 port on transmitter

5. INSTALLATION

5.1. B-520-EXT-230-RS-W Transmitter Installation

⚠CAUTION: Do not connect power to the device until all other connections are made and the unit is installed.

1. Run category cable from the location of the transmitter to the remote location of the receiver.
2. Mount the device transmitter in the desired location.
3. Connect the category cable to the device transmitter.
4. Connect the HDMI Out of a source component to the HDMI In of the transmitter using an HDMI cable.
5. Connect the RS-232 DB-9 from a control system if being used.
6. Connect an IR control system to the IR receiver and/or IR flasher if being used. Refer to Section 6.2.
7. Connect the 12V DC, 2A power supply to the thread-locking power connector unless PoC is being used to send power from the receiver. DO NOT plug the power supply into an AC outlet until Receiver Installation is completed.

5.2. B-520-EXT-230-RS-W Receiver Installation

1. Run category cable from the location of the transmitter to the remote location of the receiver.
2. Mount the device receiver in the desired location.
3. Connect the category cable to the device receiver.
4. Connect an IR flasher and/or IR receiver if being used. Refer to Section 6.2.
5. Connect an HDMI cable from the HDMI Out of device receiver to the display.
6. Connect the RS-232 DB9 to an RS-232 controllable source if being used.
7. Connect the 12V DC, 2A power supply to either the thread-locking power connector, or the optional remote power connector, unless PoC is being used to send power from the transmitter.
8. Connect the power supply to the AC outlet.

6. APPLICATIONS

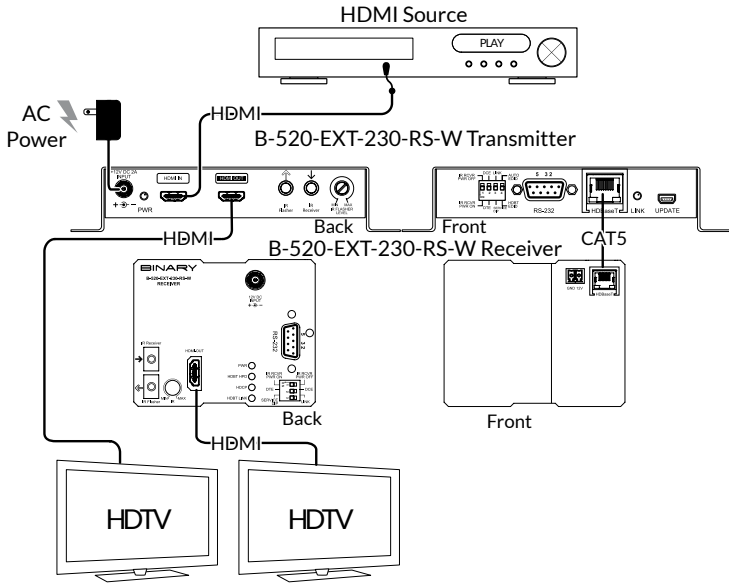


FIGURE 3 : Application Diagram

Note: When a power supply is connected to either the transmitter or receiver, the HDBaseT link sends power to the other unit. Only one unit requires a power supply to be connected.

6.1. HDBaseT Link (RJ45) Connection

This device is specified to operate with category cables for communication between the transmitter and receiver. The transmission path may include a maximum of two keystones and two patch cables, as long as the total length does not exceed 200' for Cat 5e/6 and 230' for Cat 6a/7.

TIA/EIA Standard 568-B (Gold Pins Facing Up)

Pin 1	White/Orange	Pin 5	White/Blue
Pin 2	Orange	Pin 6	Green
Pin 3	White/Green	Pin 7	White/Brown
Pin 4	Blue	Pin 8	Brown



FIGURE 4: RJ45 Connections

Note: The HDBaseT Link RJ45 connection includes a 12V signal. Do not connect anything to this port other than an HDBaseT transmitter or receiver.

6.2. IR Control Connections

Bidirectional IR signals can be transmitted between transmitter and receiver through category cable. The IR signal can be generated either from a powered receiver or from a control system. The following section describes these two use cases.

⚠CAUTION: Pinout configurations for IR receivers and control systems vary. Before connecting to this input, review this section carefully in order to match the pinouts for the device.

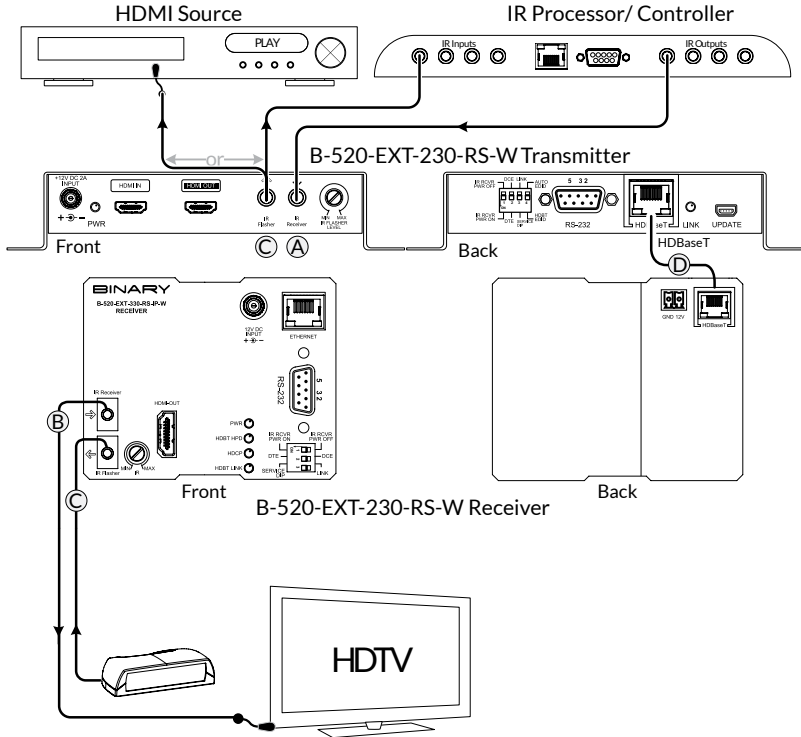


FIGURE 5: IR Connections

Note: Arrow direction indicates signal flow.

- Ⓐ IR Receiver In-3.5 mm Mono—See Section 6.2.2
- Ⓑ IR Receiver In-3.5 mm Stereo—See Section 6.2.1
- Ⓒ IR Flasher Out-3.5 mm Mono—See Section 6.2.3
- Ⓓ HDBaseT Link category cable (RJ45)—See Section 6.1

6.2.1. Point-to-Point IR Control – Stereo (3.5mm) IR Receiver

When using a powered IR receiver, the DIP switch for IR RCVR PWR should be set to ON. In this case a 3.5mm (1/8") stereo jack has to be used to send 9V DC power to the receiver.

⚠CAUTION: DO NOT connect a mono cable to this connection as damage may occur.

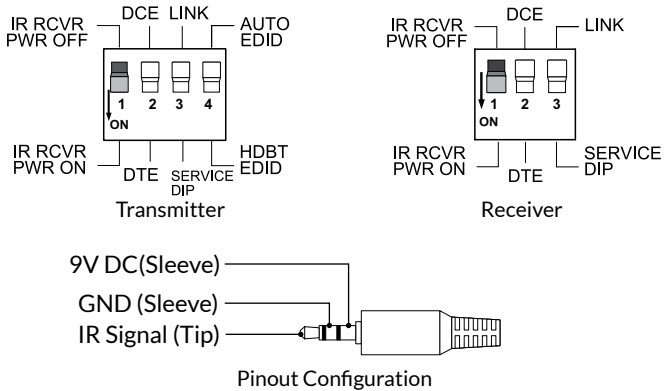


FIGURE 6: Point-to-Point IR settings

6.2.2. Control System - Mono (3.5mm) IR Receiver

When using a control system which generates the signal through a mono jack, the IR RCVR PWR switch should be in the OFF position.

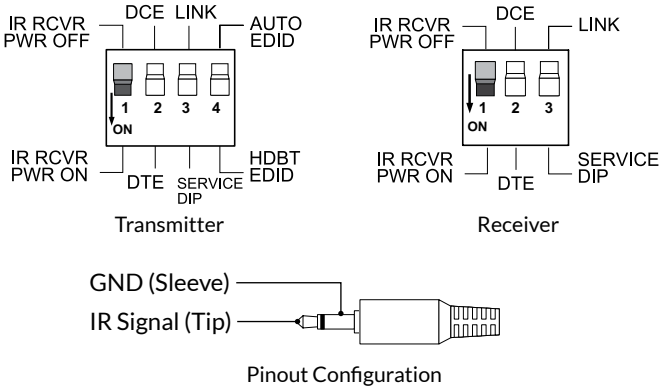


FIGURE 7 : Control System IR settings

6.2.3. IR Flasher Out – Mono (3.5mm)

The IR Flasher level adjusts the intensity of the IR Flasher output

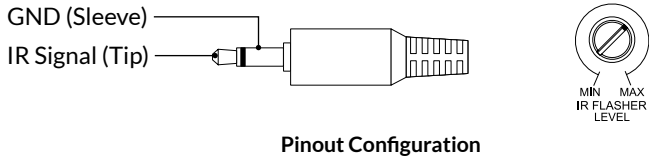
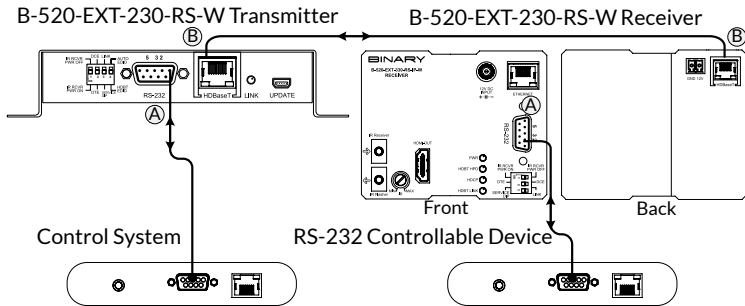


FIGURE 8: IR Flasher Out

6.3. RS-232 Control Connections

Bidirectional RS-232 signals are transmitted between the device transmitter and receiver over the category cable. The transmitter may be connected to a control system, and the receiver may be connected to an RS-232 controllable device.



- Ⓐ RS-232 Control (DB-9)- See Section 6.3.1
- Ⓑ HDBaseT Link category - See Section 6.1

FIGURE 9: RS-232 Connections

6.3.1. RS-232 Control (DB-9) Connection

To eliminate the need to make crossover or null modem cables, the RS-232 pinouts can be configured for DCE or DTE. Set switch 2 to DCE if the connected device is DCE, and to DTE if the connected device is DTE.

Typically the control system will be DTE and the controlled device will be DCE, however, devices may vary. Refer to the manual for the connected devices for proper pinout configuration.

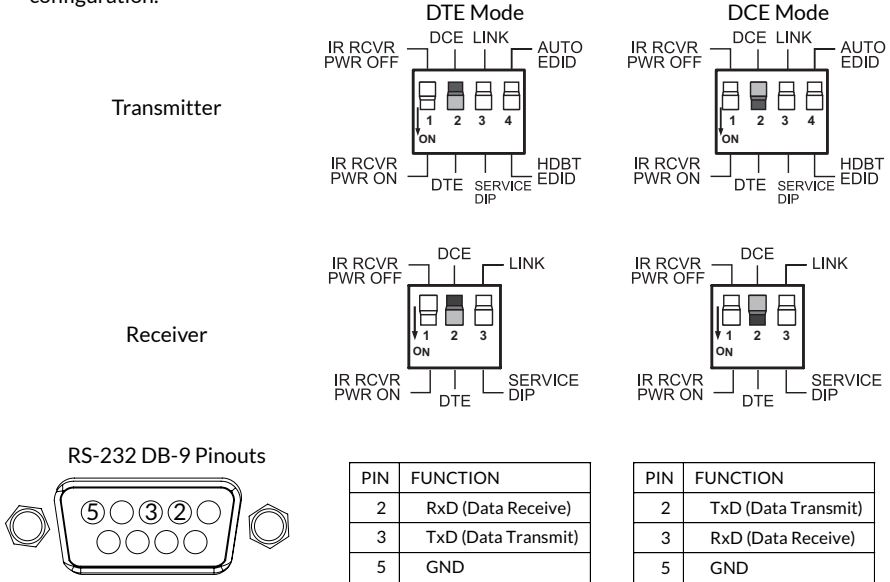


FIGURE 10: RS-232 Modes and Connections

6.3.2. RS-232 Operation Mode / Firmware Update Operation

The RS-232 connection can also be used for firmware updates in addition to sending RS-232 signals. The DTE/DCE switch is used to set the RS-232 Mode.

Note: The SERVICE/LINK switch must set to LINK during normal RS-232 passthrough operation.

To perform firmware updates, the DIP switches must be set to DTE and SERVICE. Detailed instructions and updated firmware will be posted to www.snapav.com as they are released.

Note: The DIP switch should be set to LINK during normal operation.

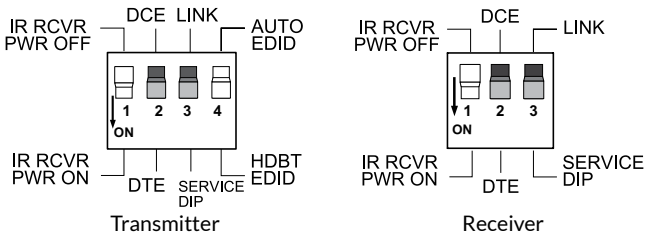


FIGURE 11: Firmware Update settings

6.4. HDMI Out (Transmitter)

We recommend using an HDMI cable that is 1 meter or less to ensure the highest signal quality. This HDMI Out is used to connect to local TV/displays.

6.5. EDID Configuration

There are two EDID operating modes available for HDMI loopout. The EDID setting determines if the source connected to the HDMI input chooses the EDID from the display connected to the HDMI out on the transmitter and/or the display connected to the HDMI out on the receiver

6.5.1. Auto EDID

When the EDID DIP switch is set to AUTO, the lowest common EDID setting between the display connected to the transmitter and the display connected to the receiver will be applied to both displays.

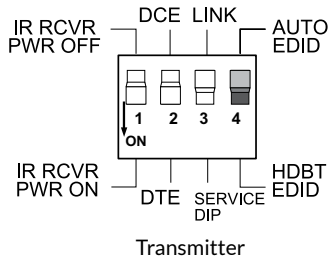


FIGURE 12: Auto EDID Mode

6.5.2. HDBT EDID

When the EDID DIP switch is set to HDBT, the EDID from the display connected to the HDBaseT receiver will be applied to both displays.

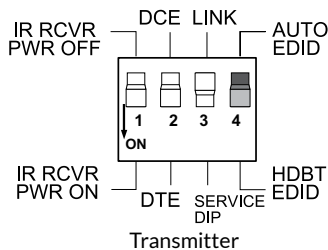


FIGURE 13: HDBT EDID Mode

6.6. Thread-Locking Power Connector

This extender pair is Power over Cable capable and therefore can be powered from either the transmitter or receiver. When a power supply is connected to either the transmitter or receiver, the HDBaseT link sends power to the other end.

⚠CAUTION: DO NOT connect the power supply to the device until it is completely installed and all connections have been made.

6.7 Optional Remote Power (Receiver Only)

Power for the B-520-EXT-230-RS-W receiver can be supplied via a remote power source when use of the Latch-Locking Power Jack is not desired. The connection is a 2 conductor removable plug located on the rear of the B-520-EXT-230-RS-W receiver. The recommended cabling is one 18 gauge per leg or two 22/ 24 gauge per leg.

Observe the connections polarity markings. Reversing the polarity may cause damage to the product.

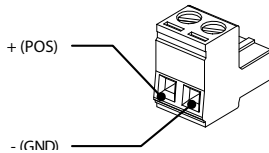


FIGURE 14: Remote Power Pin Out

The included WPS-ACC-PWR-DC Power Plug can be used to convert the single plug of a power supply to 2 wires. This eliminates the need to cut the wires on the end of a power supply.

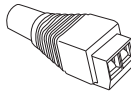


FIGURE 15: Power Plug

7. SPECIFICATIONS

Technical	Transmitter	Receiver
HDMI Compliance	HDMI 3D	
HDCP Compliance	Yes	
Video Bandwidth	10.2 Gbps	
HDMI over UTP Transmission	Cat 5e/6	1080i/720p 24-bit color: 200' Full HD 1080p 24-bit color: 200' Full HD 1080p 36-bit color: 200' Ultra HD 4K2K@30 Hz 115'
	Cat 6a/7	1080i/720p 24-bit color 230' Full HD 1080p 24-bit color 230' Full HD 1080p 36-bit color 230' Ultra HD 4K2K@30 Hz 130'
Input TMDS Signal	1.2V (peak-to-peak)	
Input DDC Signal	5V (peak-to-peak, TTL)	
ESD Protection	(1) Human body model: $\pm 5\text{kV}$ (air-gap discharge) & $\pm 8\text{kV}$ (contact discharge) (2) Core chipset – $\pm 8\text{kV}$	
IR Signal (Bidirectional)	Carrier frequency: 20–60kHz	

Connections	Transmitter	Receiver
HDBaseT Link	1x RJ45	1x RJ45
HDMI	1x HDMI Type A (19-pin female)	1x HDMI Type A (19-pin female)
IR Receiver (In)	1x 3.5mm Mono/Stereo	1x 3.5mm Mono/Stereo
IR Flasher (Out)	1x 3.5mm Mono	1x 3.5mm Mono
RS-232 pass-through	DB-9	DB-9
Power	Thread-Locking	

Controls

DIP switch 1	IR RCVR PWR OFF/ON
DIP switch 2	RS-232 Pin Configuration (DTE or DCE)
DIP switch 3	RS-232 Operation Mode (SERVICE/LINK)
DIP switch 4 (Transmitter only)	EDID – HDBT EDID/AUTO EDID

Mechanical	Transmitter	Receiver
Housing	Metal enclosure	
Dimensions	6.25"x3.1"x1.3"	3.48"x2.8"x0.66"
Weight	1.1 lbs.	
Power Supply	12V DC, 2A	
Power Consumption	12W (max)	
Operation Temperature	32–104°F	
Storage Temperature	-4–140°F	
Relative Humidity	20–90% RH (no condensation)	
Certifications and Compliance	Product: CE, FCC, RoHS	
	Power Supply: CE, FCC, RoHS, UL	

8. SUPPORT

Need Help? Contact Tech Support!

If you need further clarification, please call tech support at **866.838.5052**, or email **support@snapav.com**. For other information, instructional videos, support documentation, or ideas, visit our website and view your item's product page at **www.snapav.com**.

9. WARRANTY

2-Year Limited Warranty

This Binary product has a 2-Year limited warranty. This warranty includes parts and labor repairs on all components found to be defective in material or workmanship under normal conditions of use. This warranty shall not apply to products that have been abused, modified or disassembled. Products to be repaired under this warranty must be returned to SnapAV or a designated service center with prior notification and an assigned return authorization number (RA).

BINARY

Rev: 151228-1000

© 2015 Binary