

8

7

6

5

4

3

2

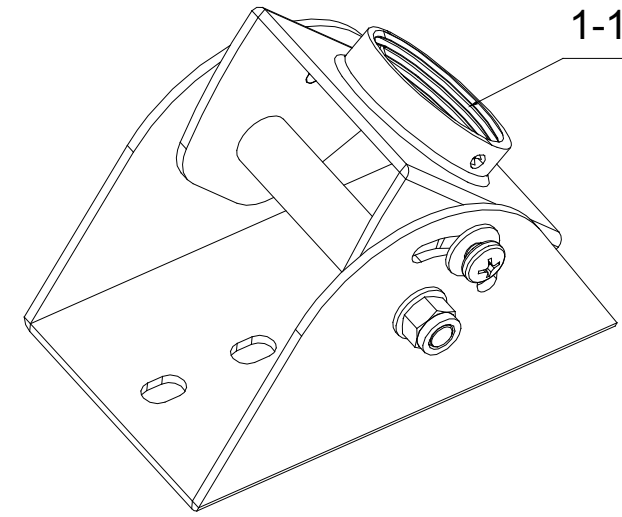
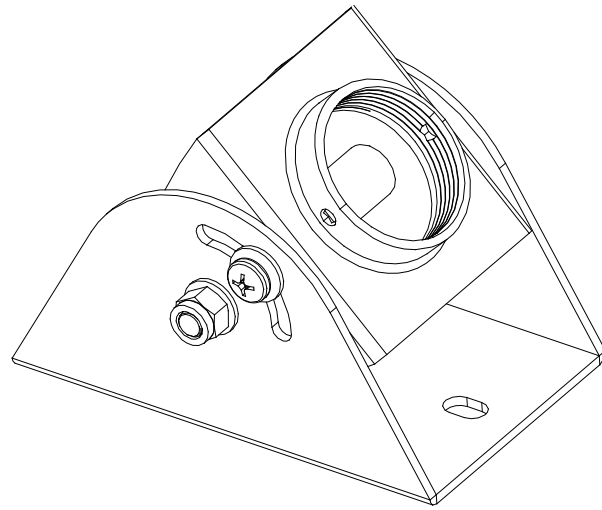
1

D

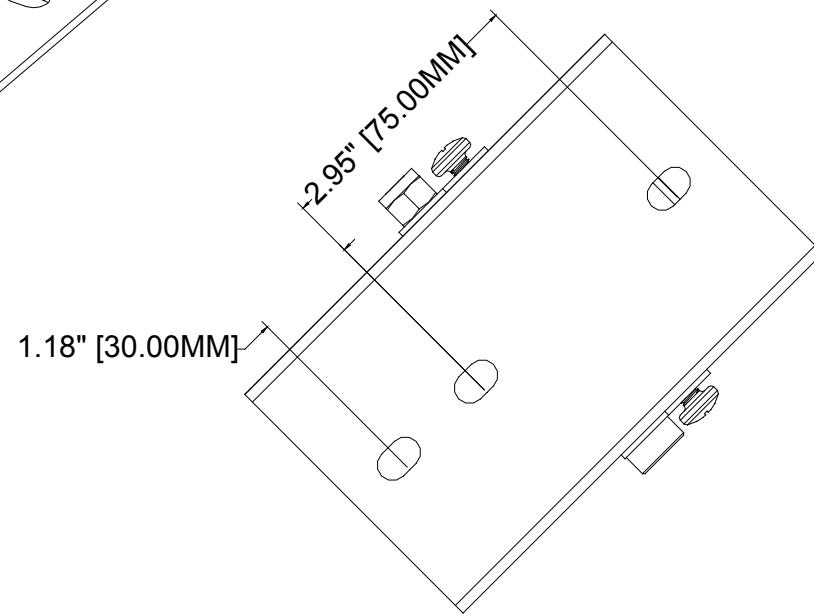
C

B

A

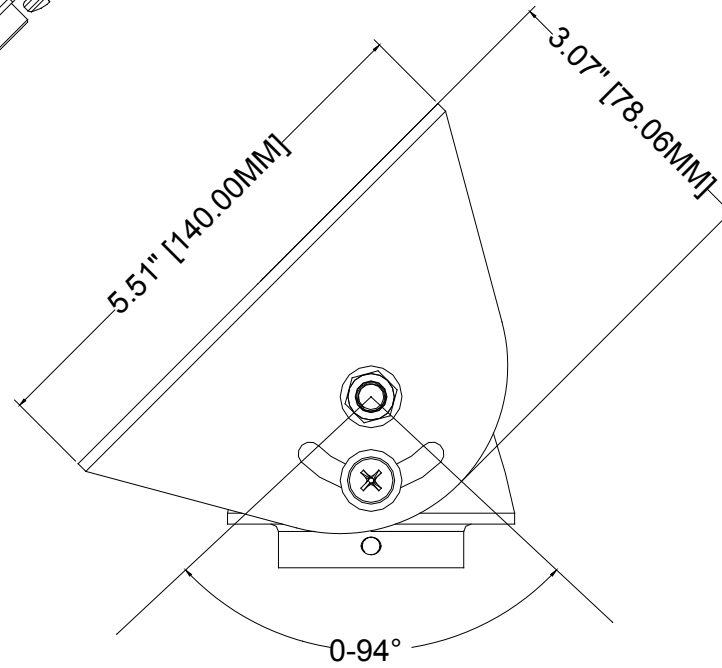


1-1/2-11.5NPS



2.95" [75.00MM]

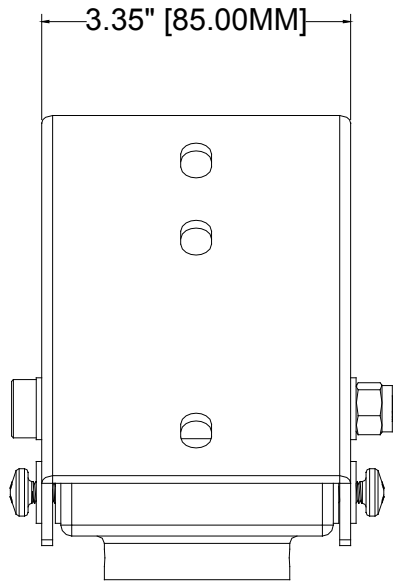
1.18" [30.00MM]



5.51" [140.00MM]

3.07" [78.06MM]

0-94°



3.35" [85.00MM]

TITLE: CUSTOMER PRINT



SIZE	DWG. NO.	REV
B	SM-CEILING-CA	C

PROPRIETARY AND CONFIDENTIAL

THE INFORMATION CONTAINED IN THIS DRAWING IS THE SOLE PROPERTY OF STRONG MOUNTS AND LIFTS. ANY REPRODUCTION IN PART OR AS A WHOLE WITHOUT THE WRITTEN PERMISSION OF SNAP AV IS PROHIBITED

NOT TO SCALE SHEET 1 OF 1

8

7

6

5

4

3

2

1