

8

7

6

5

4

3

2

1

D

D

C

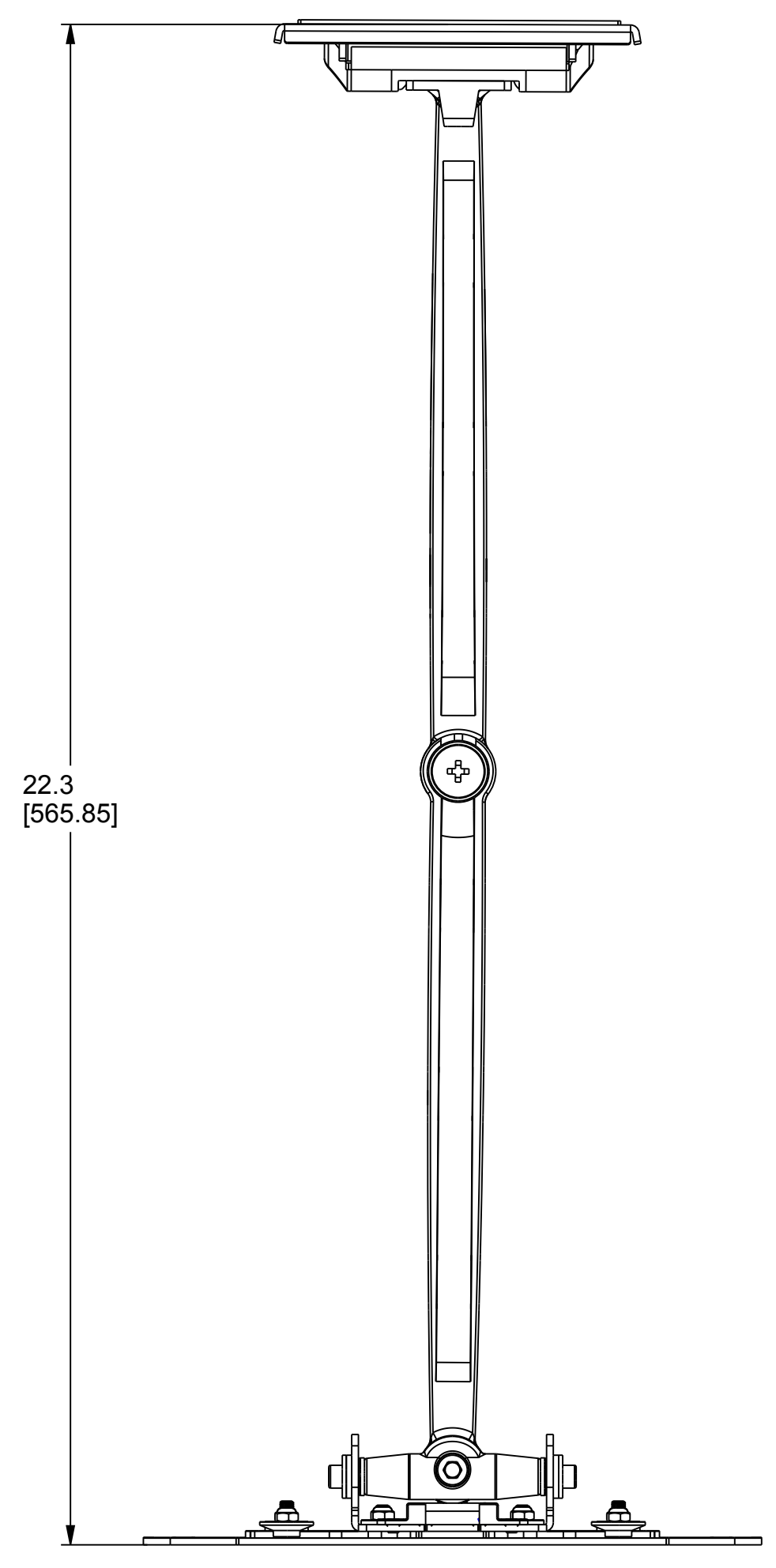
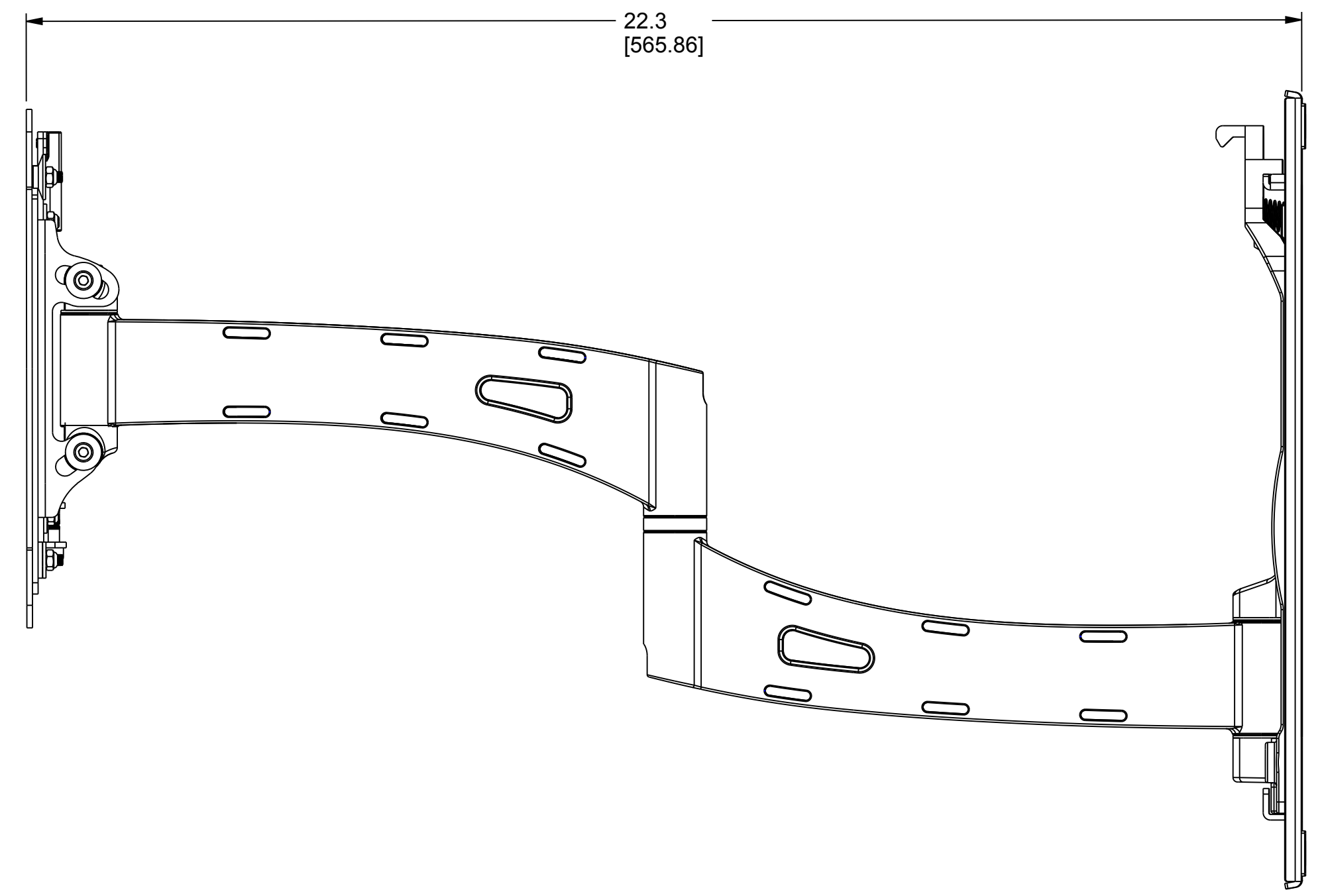
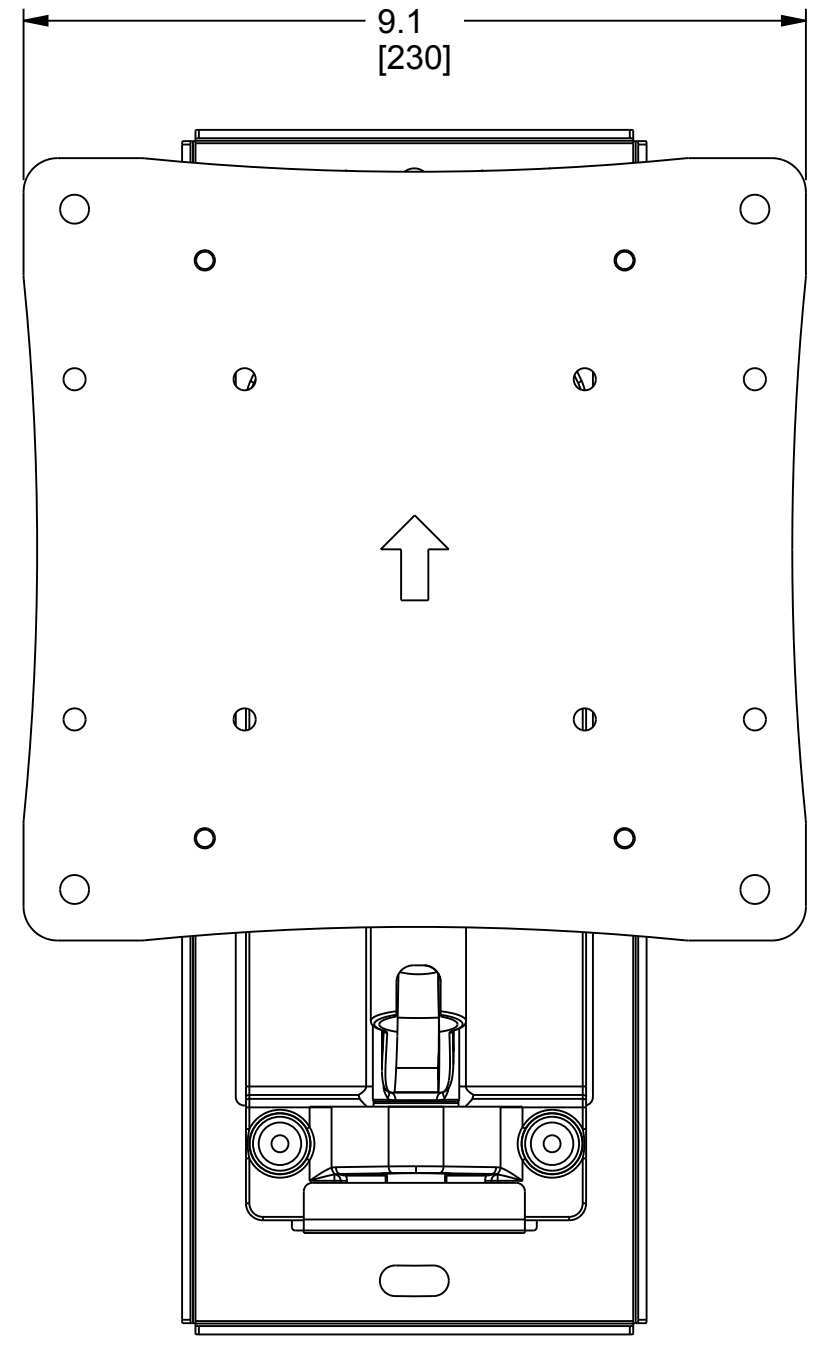
C

B

B

A

A



DESIGNER (TEXT)

THIS DRAWING IS PROPERTY OF SNAPAV. AND IS LOANED UPON CONDITION THAT IT IS NOT TO BE REPRODUCED OR COPIED IN WHOLE OR IN PART, OR USED FOR FURNISHING INFORMATION TO OTHERS, OR FOR ANY OTHER PURPOSE DETRIMENTAL TO THE INTEREST OF SNAPAV AND WILL BE RETURNED UPON REQUEST

SHEET 1 OF 1



PROJECT NAME		STRONG MOUNT	
TITLE			
RAZOR MOUNT - MED DISPLAYS			
DWG SIZE	D	DRAWING NO.	LEVEL
SCALE	0.450	RAZOR-ART1-M	REL
			REV
			00

8

7

6

5

4

3

2

1