



engineered by
Snap

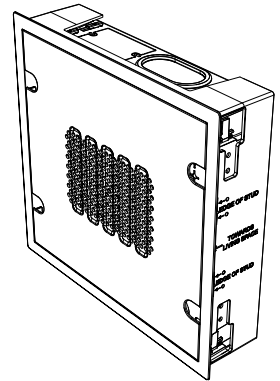
SM-RBX-14

In-Wall VersaBox

Overview

Thank you for purchasing a great product from Strong™. We appreciate your purchase and are committed to providing the highest quality products possible. The Strong In-Wall VersaBox is designed to provide the best in-wall box solution for installers adding equipment behind low-profile displays and other wall-mounted equipment. It can easily be installed in existing ceilings and walls, or in new jobs using the optional SM-RBX-14-BKT Pre-Construction Bracket.

Inside the enclosure, up to two layers of components may be mounted using the built-in attachment points and the pivoting center mounting plate. Easy-to-remove cutouts allow outlet boxes and low-voltage rings to be installed in the sides of the box to save space for more equipment. The center support plate is perforated to aid in wire management and device mounting and can be set to different depths to allow for more varied installations. The plate can also be modified as needed so that larger components fit into the box.



Package Contents

- (1) SM-RBX-14
- (1) Cover Plate
- (1) Center Support Plate

Recommended for Installation

Tools

- #2 Phillips Screwdriver
- Drywall Saw
- Tape Measure
- Level
- ¼" Flat Head Screwdriver (optional)
- Electric Drill and ¼" bit (optional)
- Tin Snips (optional)

Optional Accessories and Hardware

- SM-RBX-14-BKT (pre-construction bracket for new work)
- Drywall screws (needed for use with SM-RBX-14-BKT)
- Electrical box and low voltage ring for adding terminations to cutouts

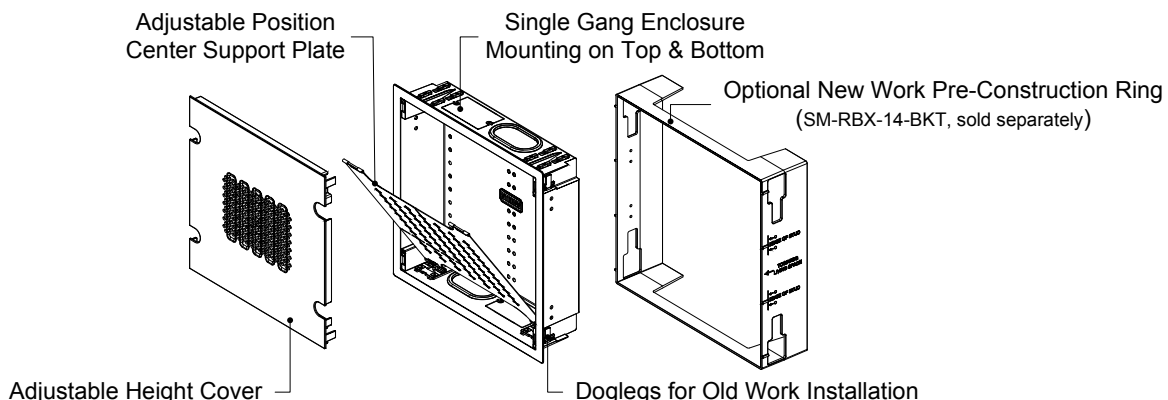
Use only standard size cover plates on boxes and rings installed in the VersaBox. Midi and jumbo size plates will not fit.

Important Instructions and Considerations for Installation

- Read and follow all instructions.
- Before beginning installation, carefully plan locations, accounting for potential electrical, ductwork, plumbing or other obstacles that may interfere with installation of the box, equipment, or wiring.
- Contact a suitable contractor if you are unsure of how to best install.

Assembly Diagram

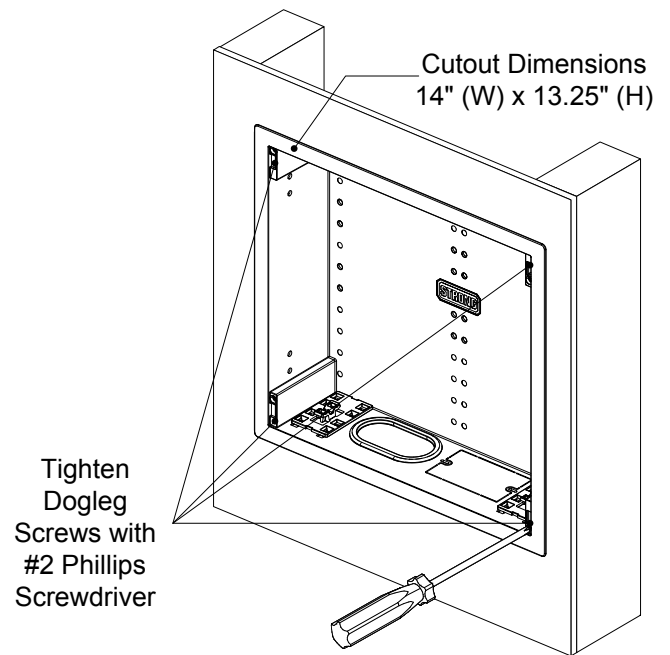
Note: To remove the cover with ease, pull the top two tabs loose first and then the bottom. Do not bend the tabs.



Old Work Installation Instructions

1. Mark the desired height of the top of the SM-RBX-14 on the wall between two stud centers. Use a stud finder to locate the stud locations.
2. Press the rear of the SM-RBX-14 to the wall, using a level to line it up correctly. Mark the outline of the back of the box as neatly as possible, and then set the box aside.
3. Carefully cut the opening using a drywall saw.
4. After the hole is cut, test fit the box, and clean up the opening as needed.
5. Remove the center support plate from the VersaBox. The hinge clips may be left in place.
6. Insert the box into the opening. Using a #2 Phillips screwdriver, secure the box to the drywall using the dog legs on each side of the enclosure as illustrated.

Note: If any of the 4 dog legs will not extend correctly due to stud clearance beside the box, a screw may be inserted through the side of the box into the stud if one is close enough. Refer to the New Work Installation section earlier in the manual for reference of where to insert the screw/s.



Installing Equipment into the VersaBox

The center support plate allows for a variety of equipment configuration options. To accommodate equipment of different thicknesses, the plate hinges can be reversed. The plate is also perforated so that it can be trimmed down in size, or used for securing modules and wiring.

Experiment with the equipment configuration to determine the best installation method. For images of different configurations of equipment installed in the VersaBox, see the VersaBox product page and Support Tab at www.SnapAV.com.

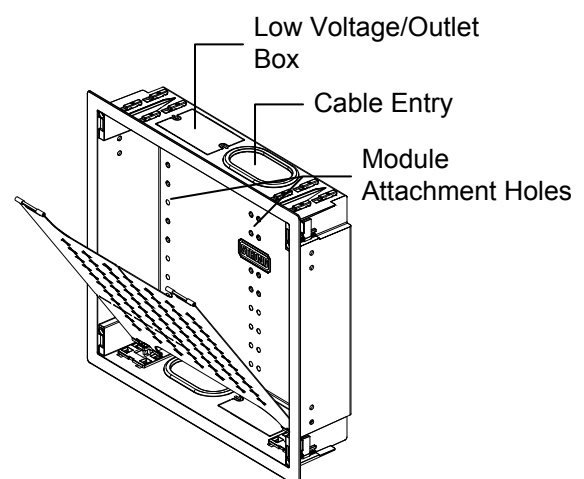
Using Knockouts

The knockouts on the top and bottom of the VersaBox may be used for installing low voltage rings or for outlet boxes. If an outlet box is installed, it must be an old work, residential grade box with integrated work supports to allow for secure mounting.

When knocking out the opening, leave the small screw tabs installed if a low voltage ring is being mounted, or remove them to install an outlet box.

Modules

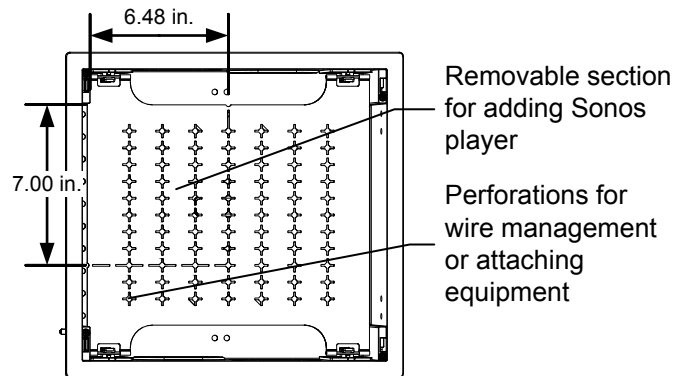
The back wall of the VersaBox has holes and knockouts stamped into it on 6" centers to allow for easy structured can module installation. Use a 1/4" drill bit to open more of the knockout stamps as needed to mount equipment.



Using the Center Support Plate

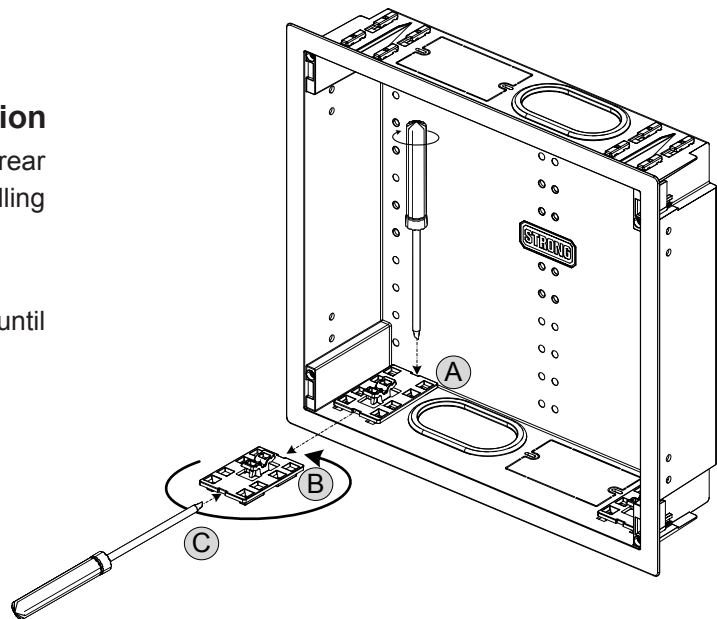
The center support allows for almost any mounting configuration possible. If a network music player or other larger equipment is being installed, the pre-stamped square can be removed to make the full mounting depth available. Additional sections may be trimmed out using a pair of tin snips.

Dimensions in the illustration indicate the size of the removable pre-stamped square.



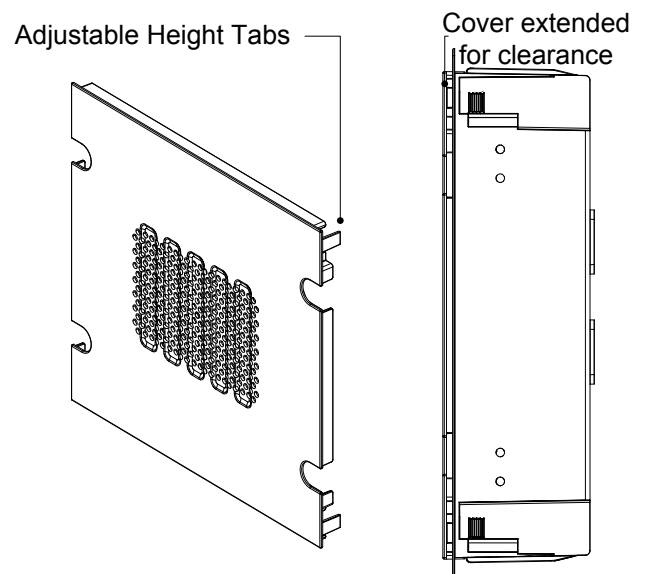
Changing the Center Support Plate Position

1. Insert $\frac{1}{4}$ " flat head screwdriver into the slot at the rear of the hinge clip and twist. Pry forward while pulling to remove it.
2. Rotate the hinge clip 180°.
3. Press the hinge clip back in with the screwdriver until it clicks into place.
4. Repeat for each of the 4 clips.

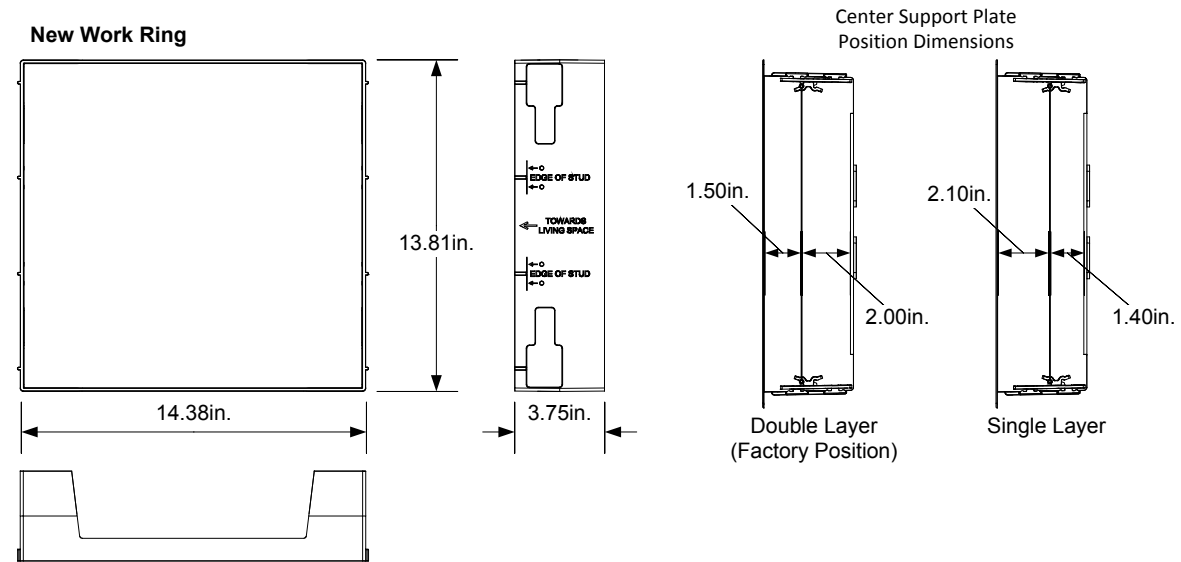
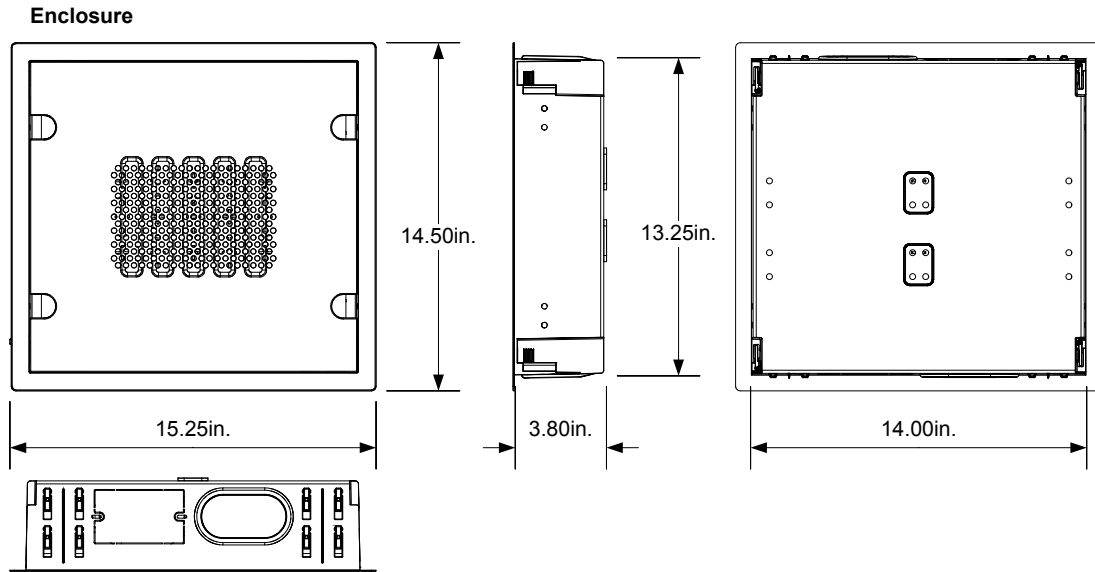


Attaching the VersaBox Cover

If the position of equipment prevents the cover from closing completely, it can still be attached and left extended using the cover's built-in position adjustment clips.



Dimensions



Warranty



Limited Lifetime Warranty

All Strong back-boxes and brackets have a Lifetime Limited Warranty. This warranty includes parts and labor repairs on all components found to be defective in material or workmanship under normal conditions of use. This warranty shall not apply to products which have been abused, modified or disassembled. Products to be repaired under this warranty must be returned to SnapAV or a designated service center with prior notification and an assigned return authorization number (RA).

Contacting Technical Support

Phone: (866) 838-5052

Email: Techsupport@snapav.com



engineered by
Snap