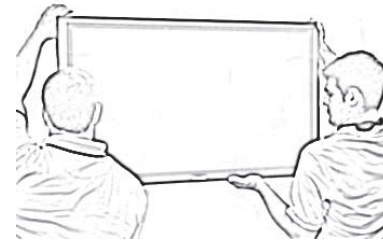


### Step 3: Hang television on to the Wall Plate

- a. Carefully lift the television to hook the arms over the top lip of the wall plate. Allow the lower portion of the arms to swivel in under the bottom lip of the wall plate. Do not release the television until it is completely connected to the wall plate.

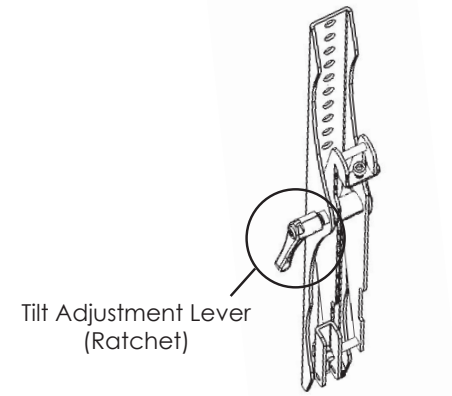


## ADJUSTMENTS:

### Adjust Horizontal Level and Tilt

#### Forward Tilt Adjustment (SM-T-L)

- a. Turn Tilt Adjustment Lever (ratchet) clockwise to tighten grip; counter-clockwise to loosen grip.
- b. Pull Tilt Adjustment Lever (ratchet) away from arm and then turn Clockwise/counter-clockwise to desired location. Let the Tilt Adjustment Lever (ratchet) sit in place.
- c. Repeat steps A & B as needed to loosen/tighten the tilt.



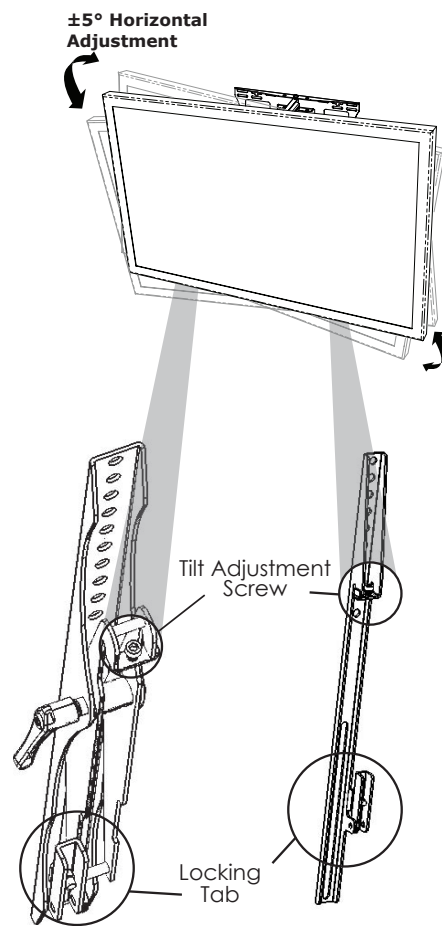
#### Horizontal Adjustment

- a. If display is not horizontally level when mounted, Tilt Adjustment Screws are included at the top of each arm for micro-adjustments (see photo to the right). Use provided Long Allen Key (X) to raise or lower the screw, which will in turn raise or lower the mount.

*Note: Due to display weight, it may be easier to lift panel slightly when adjusting the screw. Caution should be taken to avoid any slips or drops to avoid damage and/or injuries.*

### Locking

- a. To lock the arms to the wall bracket, twist the locking tabs until the edge catches behind the bracket. The Allen Key (X) can be used as a tool to help with this step. Padlock is optional (not included).



## SM-F-L / SM-T-L

### Strong™ Universal Fixed and Tilt Mount for Large Displays



engineered by  
Snap  
av

## INSTRUCTION MANUAL



#### Lifetime Limited Warranty

Strong™ Mounts have a Lifetime Limited Warranty. This warranty includes parts and labor repairs on all components found to be defective in material or workmanship under normal conditions of use. This warranty shall not apply to products which have been abused, modified or disassembled. Products to be repaired under this warranty must be returned to SnapAV or a designated service center with prior notification and an assigned return authorization number (RA).

For Technical Support call 1.866.838.5052

## WARNINGS:

- Installation by a qualified professional is highly recommended for this product.
- Do not begin installation until you have thoroughly read and understand these instructions.
- This mount supports displays from 36" to 60", VESA 700x500, and a maximum load of 165 lbs (75 kg).
- Ensure the mounting wall will safely support four times the combined weight of the Mount and display panel.
- Under no circumstances should this product be mounted to metal studs.
- The manufacturer does not accept responsibility for incorrect installation.

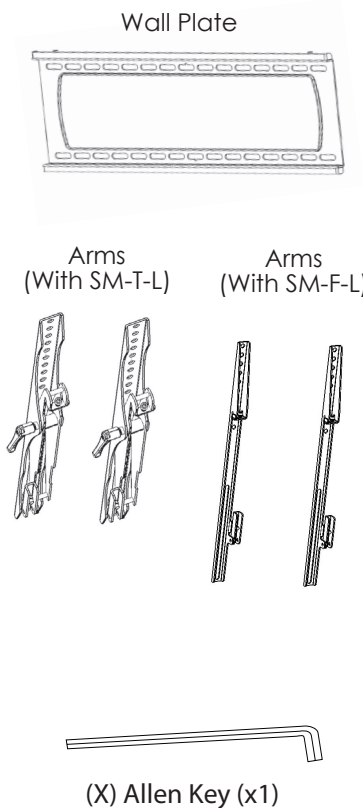
## SPECIFICATIONS:

- Maximum Load: 165 lbs. (75 kg)
- Display Size: 36" to 60"
- Forward Tilt Range: -8° /+ 13°
- Horizontal Tilt Range: ±5°

## BOX CONTENTS:

- Wall Plate (1)
- Arm left (1)
- Arm right (1)

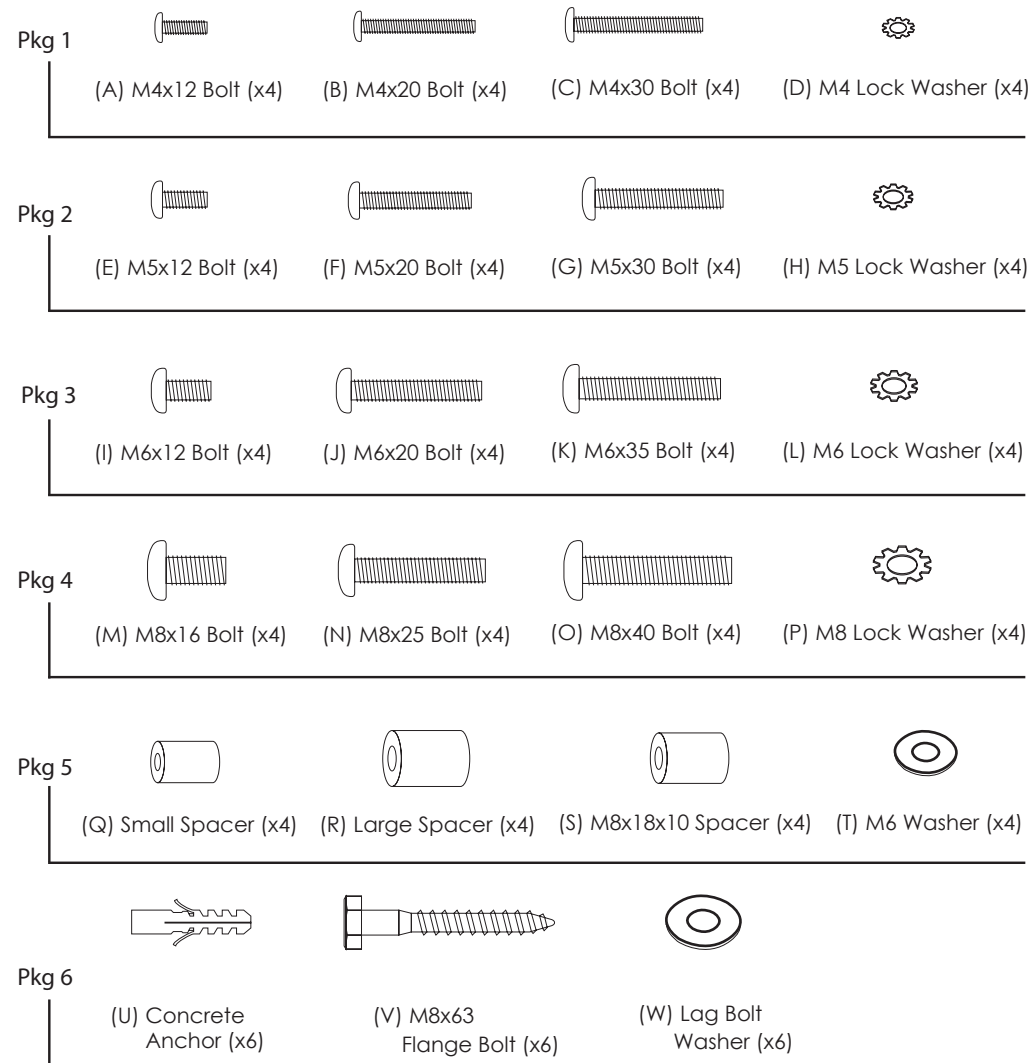
## PACKAGE CONTENTS:



## TOOLS REQUIRED:

- Power Drill
- 5/16" and 1/4" Drill Bit
- Phillips Head Screw Driver
- Level
- Socket Wrench with 7/16" Socket head

## HARDWARE KIT



## INSTALLATION:

### Step 1: Mounting the Wall Bracket Assembly

#### For Mounting on a Stud Wall

- Pre-drill holes into two wood studs using a 1/4" drill bit. Be sure to drill into the center of the studs at least 2-1/2" deep. The use of a stud finder is highly recommended.
- Insert four flange bolts (V) into holes through the Wall Plate and tighten down.

**WARNING:** Tighten bolts so that wall plate is firmly attached, but do not overtighten. Overtightening can damage the bolts, greatly reducing their holding strength.

#### For Mounting on a Concrete Wall

- Pre-drill holes into concrete using 5/16" drill bits to a depth of 2 1/2". Insert concrete wall anchors (U) and tap in-with hammer, if necessary (Figures 2 & 3).

**WARNING:** When installing wall arm assembly on cinder block, verify first that you have a minimum of 1-3/8" of concrete thickness to be used for the concrete anchors. Do not drill into mortar joints! Be sure to mount in a solid part of the block, generally 1" minimum from the side of the block. Cinder block must meet ASTM C-90 specifications. It is suggested that a standard electric drill on slow setting is used to drill the hole instead of a hammer drill to avoid breaking out the back of the hole when entering a void or cavity.

**Concrete must be 2000 psi density minimum. Lighter density concrete may not hold concrete anchor.**

Make sure that the supporting surface will safely support the combined load of the equipment and all attached hardware and components.

- Insert four flange bolts (V) into the wall anchors through the Wall Plate. Tighten all bolts.

**WARNING:** Tighten bolts so that wall plate is firmly attached, but do not overtighten. Overtightening can damage the bolts, greatly reducing their holding strength.

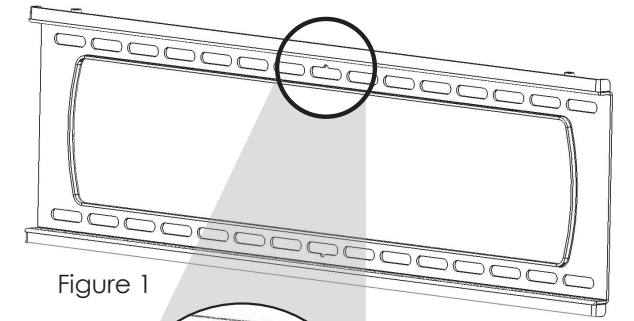
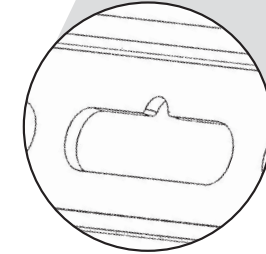


Figure 1



**TIP:** To assist in installation, the wall bracket features a screw slot for temporary hanging of the bracket.

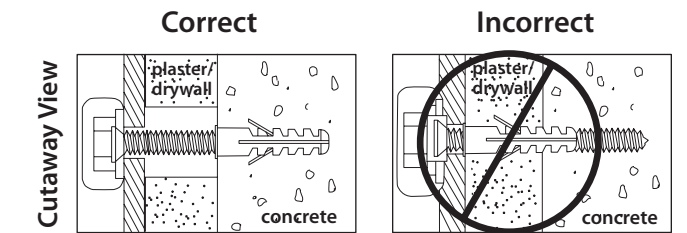


Figure 2

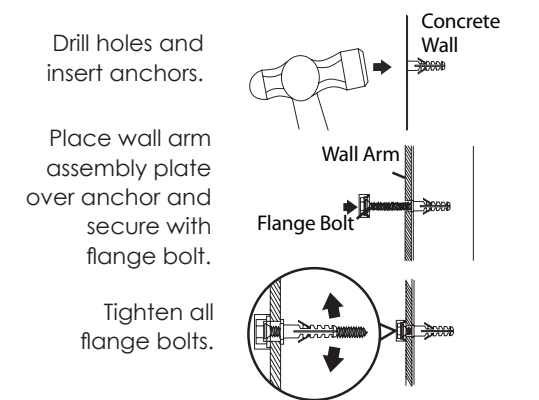


Figure 3

### Step 2: Mount Arms to television

- Determine the diameter of the screw (parts A through P) your TV requires by carefully trying to hand-thread one into the threaded insert on the rear of the TV. If there is any resistance, stop immediately.
- Spacers are commonly needed on televisions with curved backs or recessed screw inserts. The screw will thread through the appropriate washer (D, H, L, or P), any spacer needed (Q, R, or S) and the arms into the TV.
- Ensure the arms are installed flat side to television and are square to each other after all screws have been installed (Figure 4).

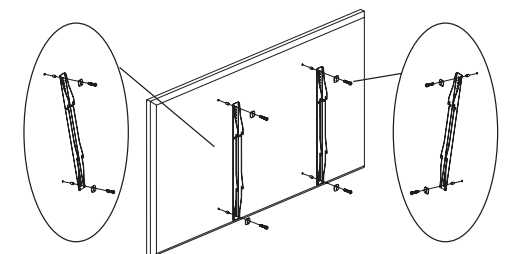


Figure 4