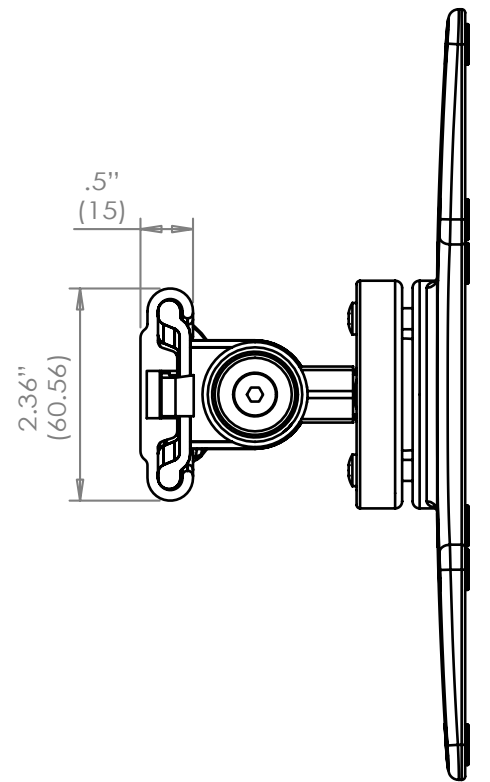
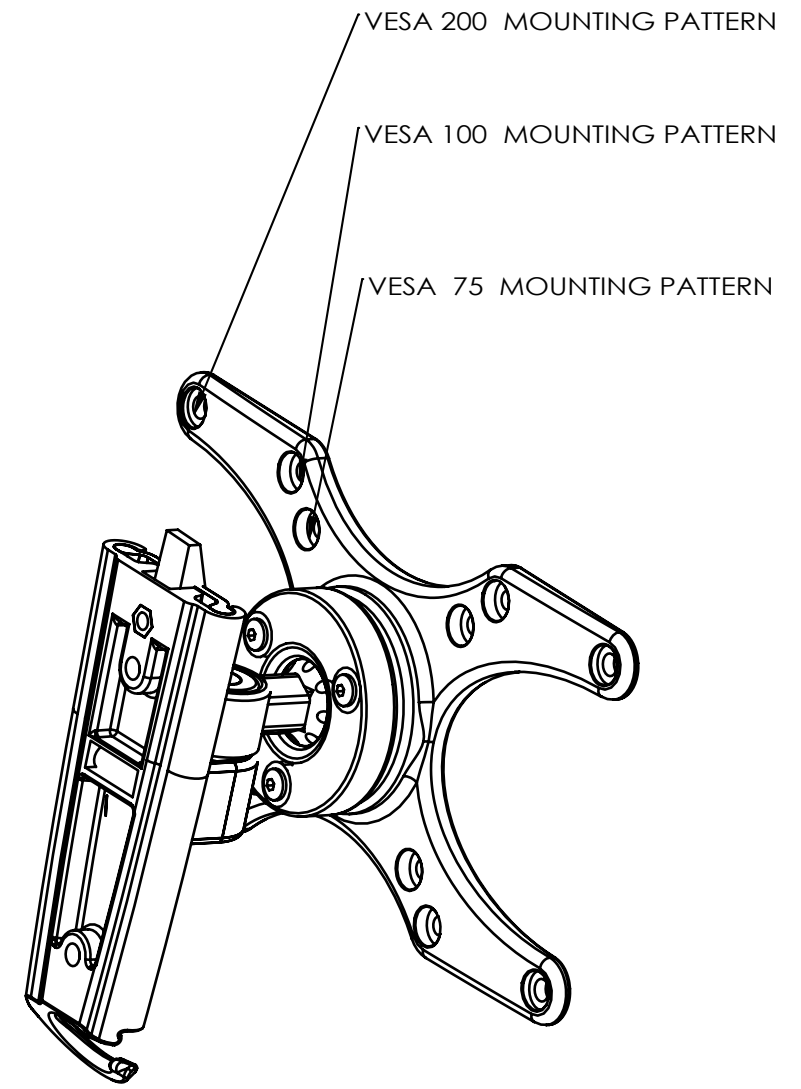
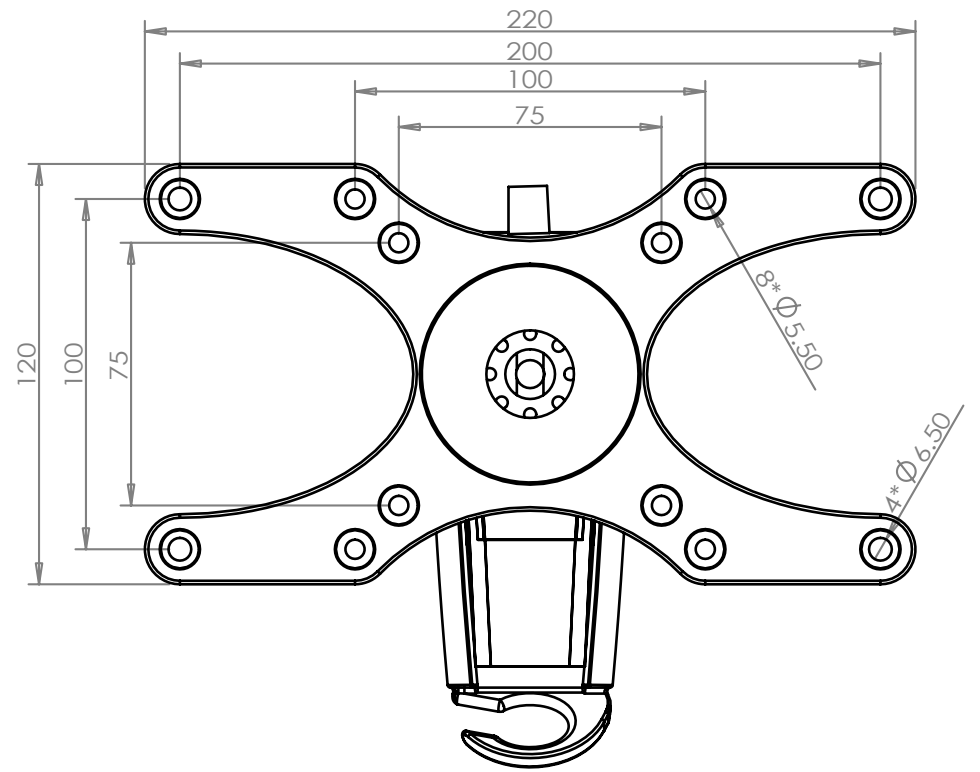
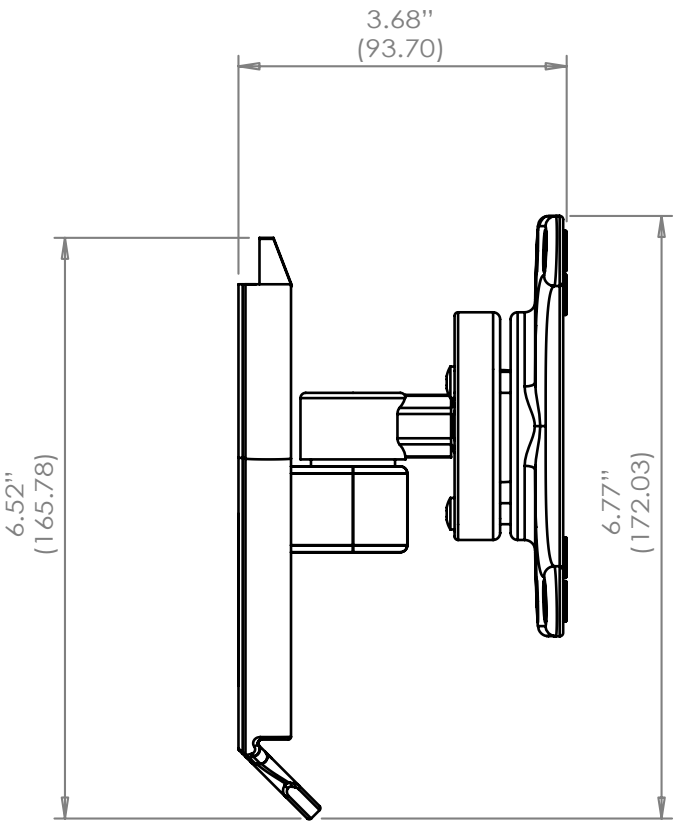


8 7 6 5 4 3 2 1

D  
C  
B  
A



8 7 6 5 4 3 2 1

PROPRIETARY AND CONFIDENTIAL

THE INFORMATION CONTAINED IN THIS DRAWING IS THE SOLE PROPERTY OF STRONG MOUNTS AND LIFTS. ANY REPRODUCTION IN PART OR AS A WHOLE WITHOUT THE WRITTEN PERMISSION OF SNAP AV IS PROHIBITED

TITLE: CUSTOMER PRINT		
<b>STRONG</b>		
SIZE <b>B</b>	DWG. NO. <b>SM-TILT-S</b>	REV <b>C</b>
NOT TO SCALE		SHEET 1 OF 1