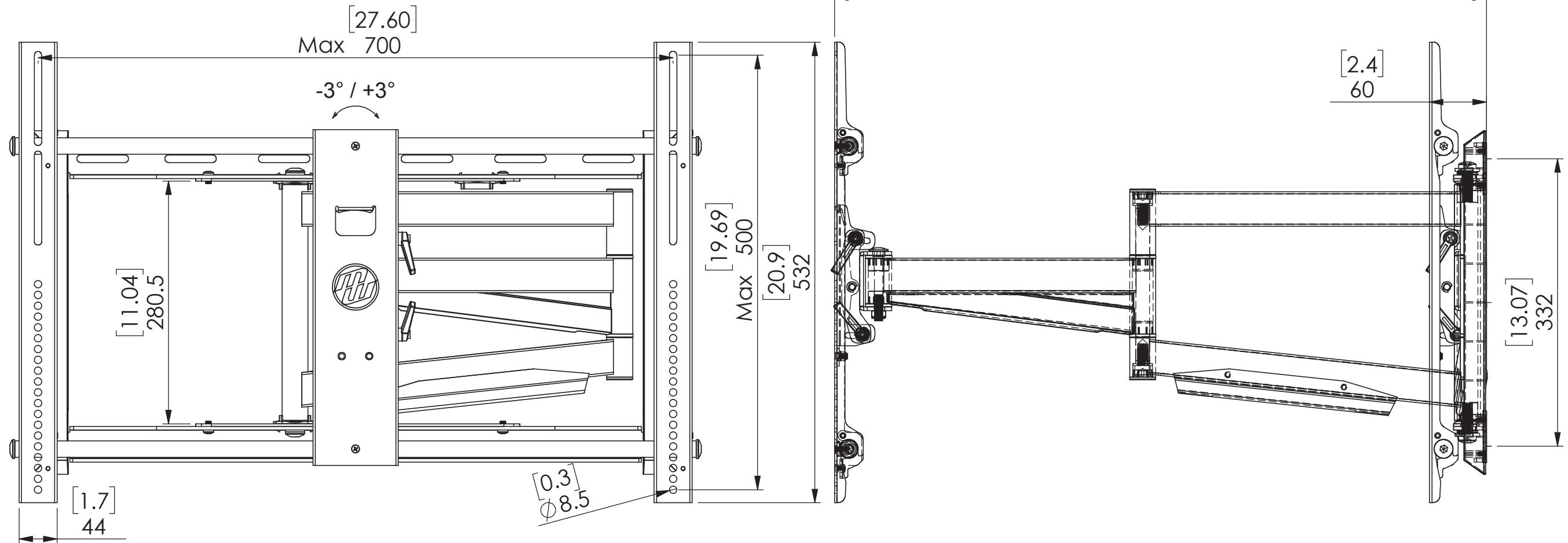


-12°/+3°

30.0
760



["]
mm

MW150C75

X-LARGE FULL MOTION TV MOUNT

NOTES: UNLESS OTHERWISE SPECIFIED

1. SCREEN SIZE COMPATIBILITY: MOST 37" - 90" SCREENS
2. VESA STANDARD COMPATIBILITY (WIDTH X HEIGHT): 200 X 100 TO 700 X 500 MM
3. MAXIMUM VESA MOUNTING CONFIGURATION: 700 X 500 MM
4. MAXIMUM WEIGHT CAPACITY: 150 LBS (68KG)
5. VIEWING ANGLE: -12° to +3°
6. PRODUCT COLOR: BLACK



MOUNTS

PROPRIETARY AND CONFIDENTIAL

The information contained in this drawing is the sole property of MW PRODUCTS L.L.C. Any reproduction in part or as a whole without the written permission of MW PRODUCTS L.L.C. is prohibited.