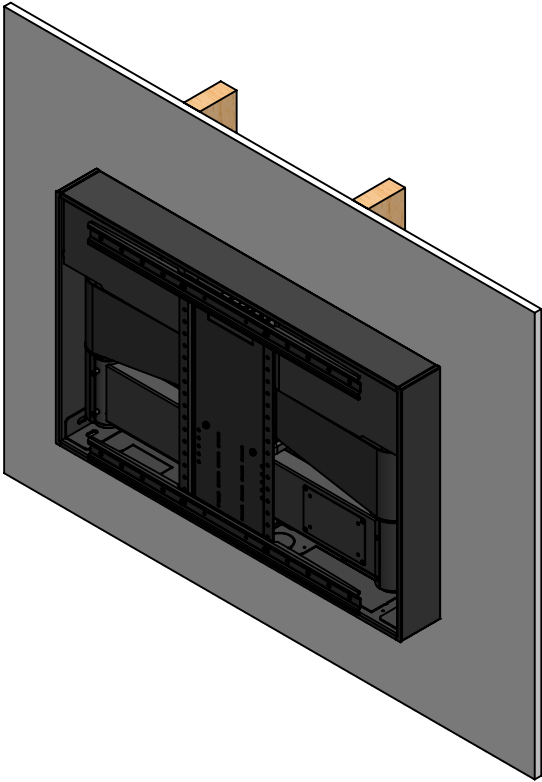
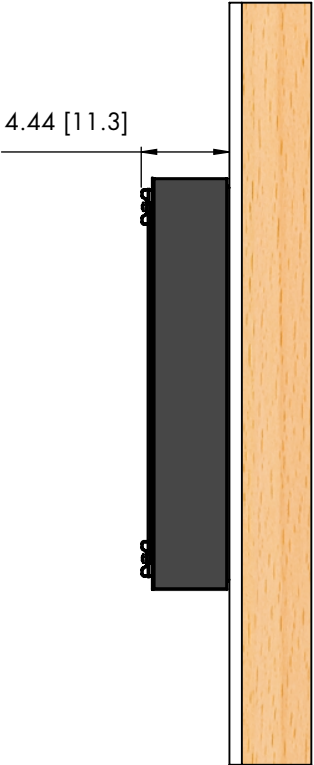
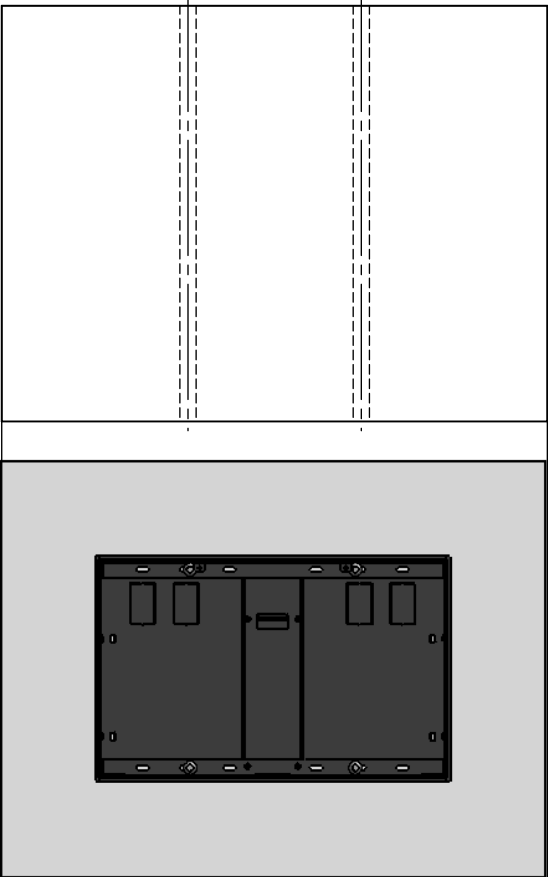


APEX MOTORIZED TV WALL MOUNT DIAGRAM

ON-WALL INSTALLATION (VIEW IN-WALL ON NEXT PAGE)



- NOTES:
- 1. ALL DIMENSIONS SHOWN IN INCHES WITH CENTIMETERS SHOWN IN []
 - 2. TOTAL WEIGHT CAPACITY IS 100 LBS [45.4 KG]
 - 3. LENGTH OF EXTENSION (TRAVEL, LENGTH, OR STROKE) IS UP TO 24.1" [61.2]
 - 4. MAXIMUM SWIVEL ANGLE IS UP TO 55 DEGREES, DEPENDENT UPON TV WIDTH
 - 5. WALL MOUNT DESIGNED FOR 50-80" TVs
 - 6. MUST BE MOUNTED ON TWO STUDS
 - 7. MOUNTING LOCATIONS FOR ON-WALL INSTALLATIONS UP TO 24" [61] ON CENTER WOOD STUDS
 - 8. CAN BE MOUNTED TO BRICK OR STONE, CONSULT AN EXPERT FOR REQUIRED HARDWARE
 - 9. WALL MOUNT IS POWDERCOATED BLACK STEEL, COLORS IN DIAGRAM ARE FOR CLARITY ONLY

QUICK REFERENCE DIMENSION GUIDE
ON-WALL INSTALLATION

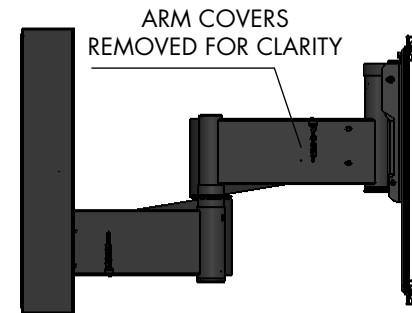
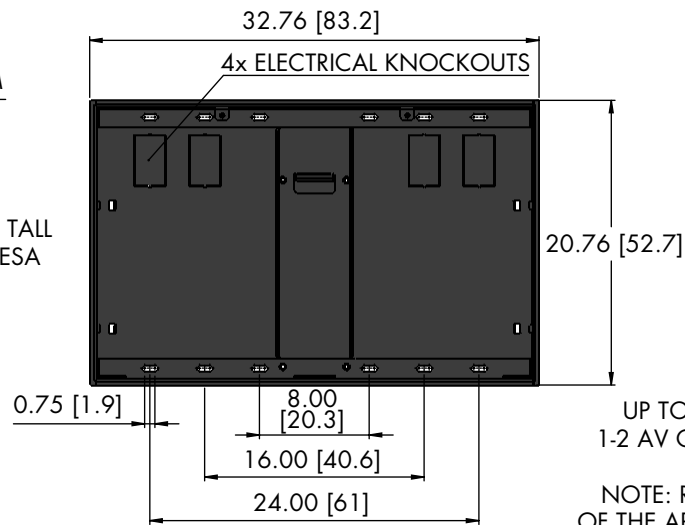
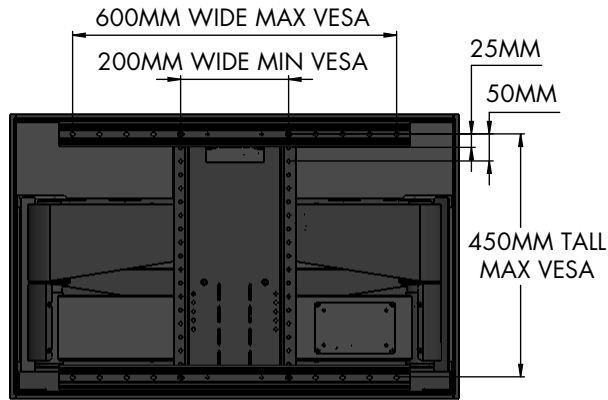
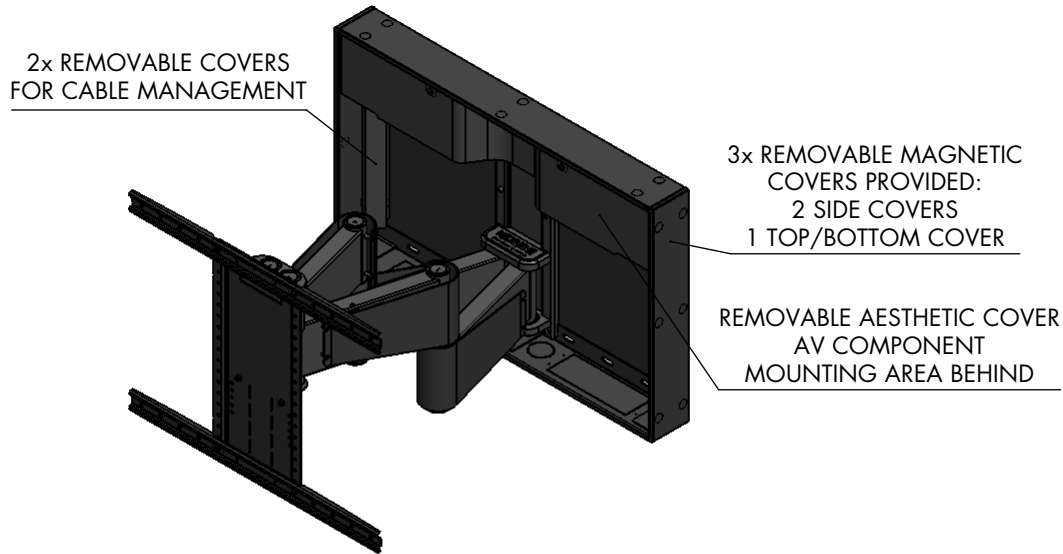
MOUNTING LOCATIONS: UP TO 24" [61] ON CENTER WOOD STUDS
DEPTH FROM BACK OF TV TO WALL: 4.44" [11.3]

NEXUS 21

COPYRIGHT 2019 - ALL RIGHTS RESERVED
UPDATED 11/12/19

APEX MOTORIZED TV WALL MOUNT DIAGRAM

ON-WALL INSTALLATION FEATURES



UP TO 4 AV CABLES CAN BE ROUTED THROUGH THIS SIDE
1-2 AV CABLES CAN BE ROUTED THROUGH THE OPPOSITE SIDE

NOTE: REFER TO CABLE MANAGEMENT LABELS ON THE ARMS OF THE APEX FOR FURTHER CABLE MANAGEMENT INSTRUCTIONS.

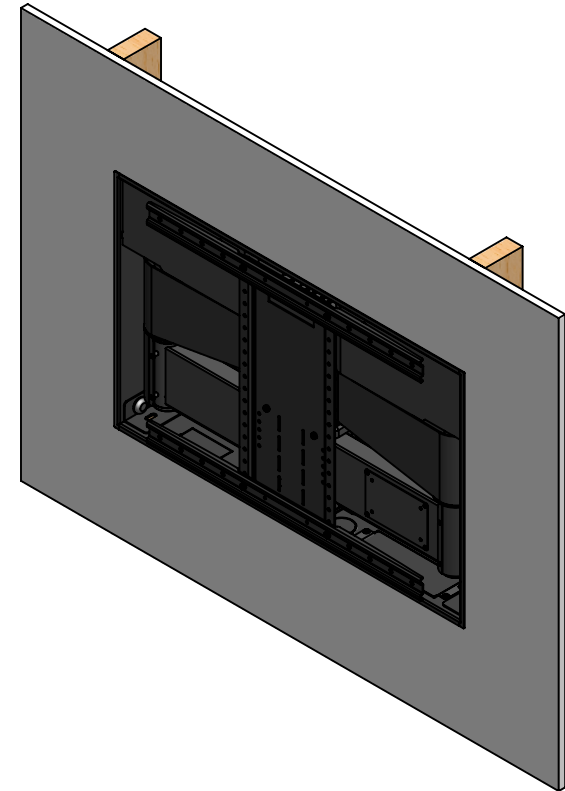
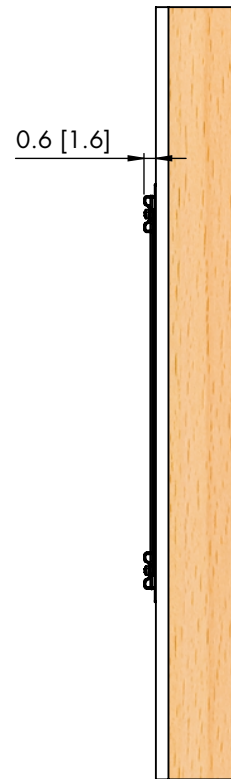
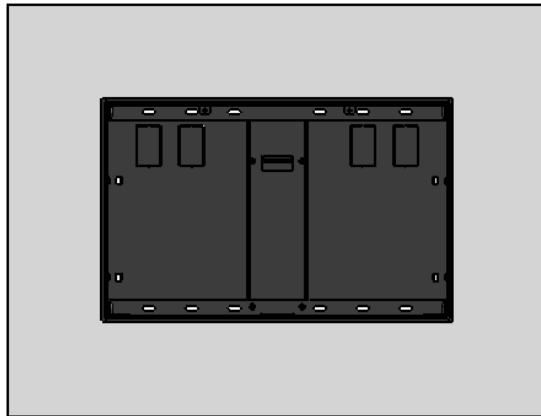
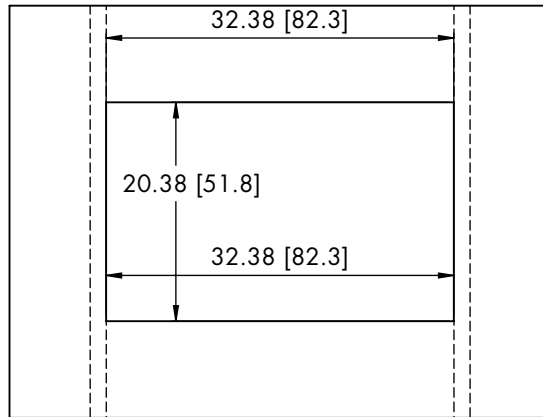
- NOTES:
1. ALL DIMENSIONS SHOWN IN INCHES WITH CENTIMETERS SHOWN IN []
 2. VESA ADJUSTMENTS IN INCREMENTS 25MM VERTICALLY
 3. VESA ADJUSTMENTS IN INCREMENTS 50MM HORIZONTALLY
 4. ARM COVERS MUST BE INSTALLED FOR PROPER FUNCTIONALITY

NEXUS₂₁

COPYRIGHT 2019 - ALL RIGHTS RESERVED
UPDATED 11/12/19

APEX MOTORIZED TV WALL MOUNT DIAGRAM

IN-WALL INSTALLATION



QUICK REFERENCE DIMENSION GUIDE IN-WALL INSTALLATION

CUTOUT DIMENSION: 32-3/8" [82.3] WIDE x 20-3/8" [51.8] TALL
FRAMING DIMENSION: 32-3/8" [82.3] MINIMUM
DEPTH FROM BACK OF TV TO WALL: 0.6" [1.6]
WALL BOX DEPTH: 3.85" [9.8]

NOTES:

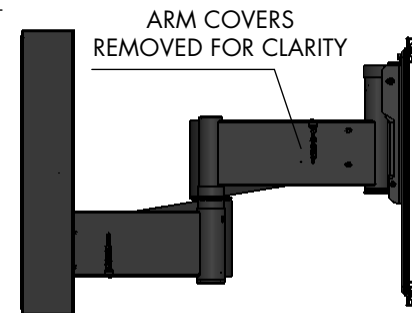
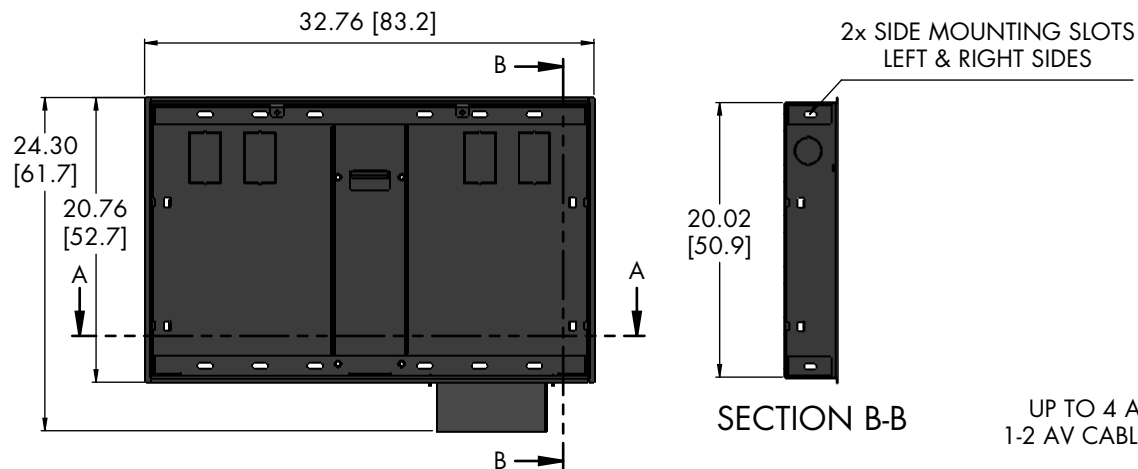
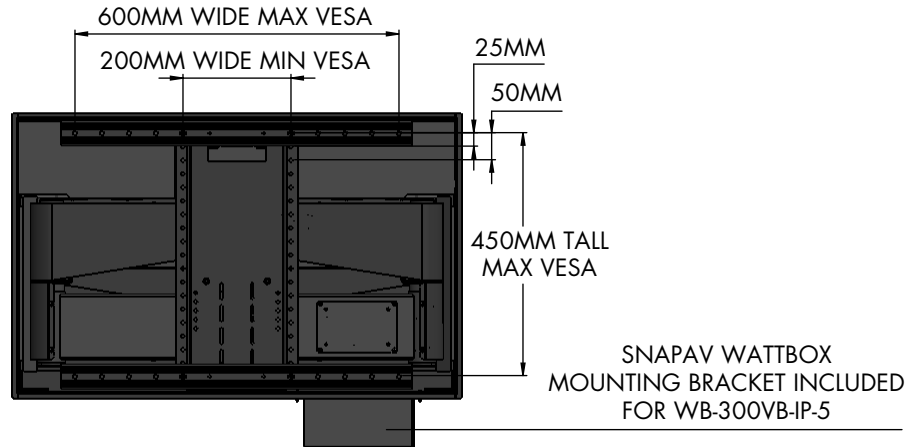
1. ALL DIMENSIONS SHOWN IN INCHES WITH CENTIMETERS SHOWN IN []
2. TOTAL WEIGHT CAPACITY IS 100 LBS [45.4 KG]
3. LENGTH OF EXTENSION (TRAVEL, LENGTH, OR STROKE) IS UP TO 24.1" [61.2]
4. MAXIMUM SWIVEL ANGLE IS UP TO 55 DEGREES, DEPENDENT UPON TV WIDTH
5. WALL MOUNT DESIGNED FOR 50-80" TVs
6. CUTOUT AND FRAMING DIMENSIONS MUST BE FOLLOWED FOR IN-WALL INSTALLATIONS
7. WALL MOUNT IS POWDERCOATED BLACK STEEL, COLORS IN DIAGRAM ARE FOR CLARITY ONLY

NEXUS₂₁

COPYRIGHT 2019 - ALL RIGHTS RESERVED
UPDATED 11/12/19

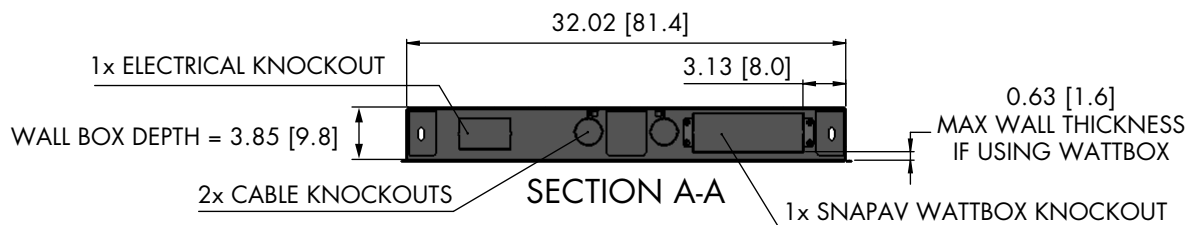
APEX MOTORIZED TV WALL MOUNT DIAGRAM

IN-WALL INSTALLATION FEATURES



UP TO 4 AV CABLES CAN BE ROUTED THROUGH THIS SIDE
1-2 AV CABLES CAN BE ROUTED THROUGH THE OPPOSITE SIDE

NOTE: REFER TO CABLE MANAGEMENT LABELS ON THE ARMS OF THE APEX FOR FURTHER CABLE MANAGEMENT INSTRUCTIONS.



- NOTES:
1. ALL DIMENSIONS SHOWN IN INCHES WITH CENTIMETERS SHOWN IN []
 2. MAX WALL THICKNESS IF USING SNAPAV WATTBOX 5/8" [1.6]
 3. VESA ADJUSTMENTS IN INCREMENTS 25MM VERTICALLY
 4. VESA ADJUSTMENTS IN INCREMENTS 50MM HORIZONTALLY
 5. ARM COVERS MUST BE INSTALLED FOR PROPER FUNCTIONALITY

NEXUS₂₁

COPYRIGHT 2019 - ALL RIGHTS RESERVED
UPDATED 11/12/19