

# MODEL L-85 DIAGRAM WITH HINGED TOP GUIDES - PRIMARY CABINET DIMENSIONS

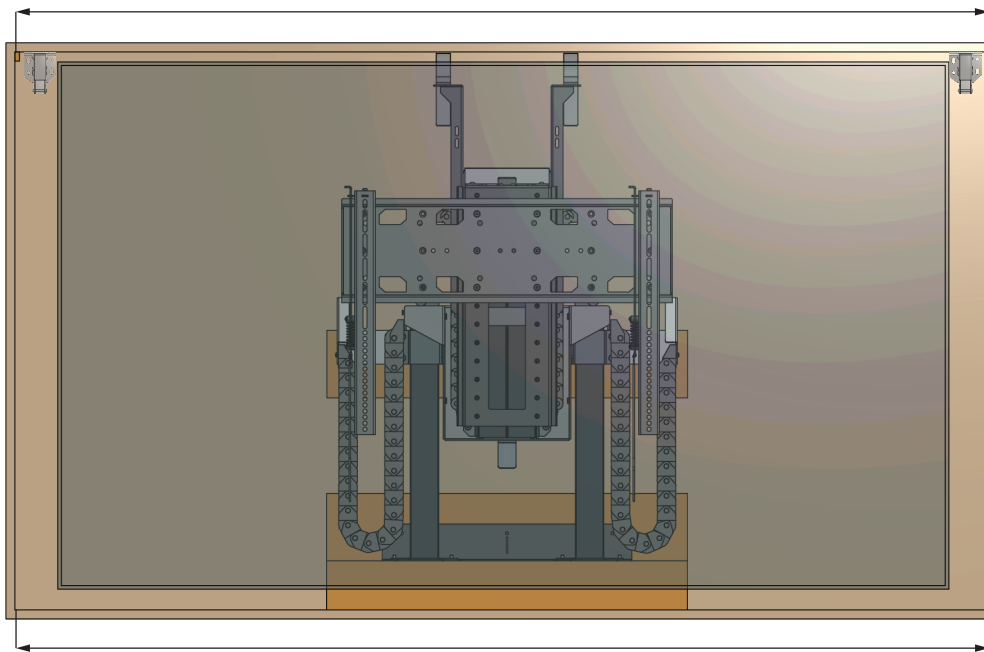
## SPECIFICATIONS (CENTIMETERS ARE REPRESENTED BY [ ])

MAX TV SIZE : 86"  
 MAX WEIGHT CAPACITY : 175 LBS [79.4 KG]  
 MAX TRAVEL [EXTENSION] : 52" [132.1]  
 LIFT SYSTEM HEIGHT : 34.25" [87] TO 49" [124.5]  
 MAX TV HEIGHT : 51" [129.5] MINUS LID THICKNESS  
 MAX LID WEIGHT : 80 LBS [36.3 kg]

## QUICK REFERENCE DIMENSION GUIDE (USE WHICHEVER IS GREATER)

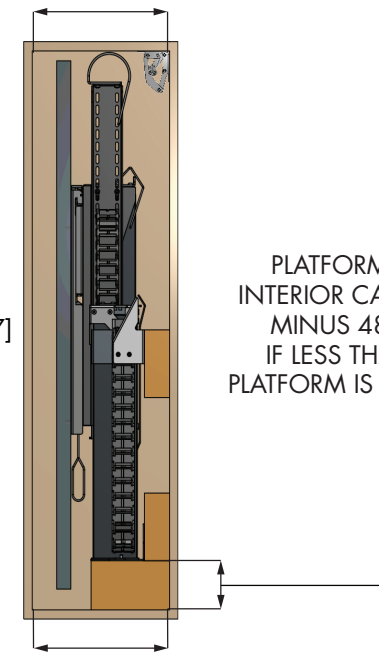
TV DIMENSIONS : W\_\_\_\_, H\_\_\_\_, D\_\_\_\_  
 MIN. INTERIOR CABINET WIDTH :  $W + 2" [5.1] = \text{____}$  OR 32.5" [82.6]  
 MIN. LID CUTOUT WIDTH :  $W + 2" [5.1] = \text{____}$  OR 32.5" [82.6]  
 MIN. INTERIOR CABINET HEIGHT :  $H + 2" [5.1] = \text{____}$  OR 34.125" [86.7]  
 MIN. INTERIOR CABINET DEPTH :  $D + 10.625" [27] = \text{____}$   
 MIN. LID CUTOUT DEPTH :  $D + 10.625" [27] = \text{____}$   
 PLATFORM HEIGHT : INTERIOR CABINET HEIGHT MINUS 48.5" [123.2]

MIN. LID CUTOUT WIDTH = TV WIDTH + 2" [5.1] OR 32.5" [82.6]  
 WHICHEVER IS GREATER



MIN. INTERIOR CABINET WIDTH = TV WIDTH + 2" [5.1] OR 32.5" [82.6]  
 WHICHEVER IS GREATER

MIN. LID CUTOUT DEPTH =  
 TV DEPTH + 10.625" [27]



MIN. INTERIOR CABINET DEPTH =  
 TV DEPTH + 10.625" [27]

MIN. INTERIOR CABINET HEIGHT =  
 TV HEIGHT + 2" [5.1] OR 34.125" [86.7]  
 WHICHEVER IS GREATER

PLATFORM HEIGHT =  
 INTERIOR CABINET HEIGHT  
 MINUS 48.5" [123.2]  
 IF LESS THAN ZERO A  
 PLATFORM IS NOT REQUIRED

### NOTES:

1. THE CABINET BOX SHOWN IN THE DIAGRAM IS FOR REFERENCE ONLY AND IS NOT PROVIDED WITH THE LIFT SYSTEM
2. WHEN DETERMINING TV HEIGHT, ALWAYS USE MANUFACTURER SUPPLIED "TV WITHOUT STAND" HEIGHT
3. LIFT MECHANISM IS POWDER COATED BLACK STEEL, COLORS IN DIAGRAM ARE FOR CLARITY ONLY
4. LIFT ENCLOSURE'S REAR PANEL SHOULD BE CONSTRUCTED TO WITHSTAND A HORIZONTAL LOAD OF 600 LBS [272.2 kg] OR MORE

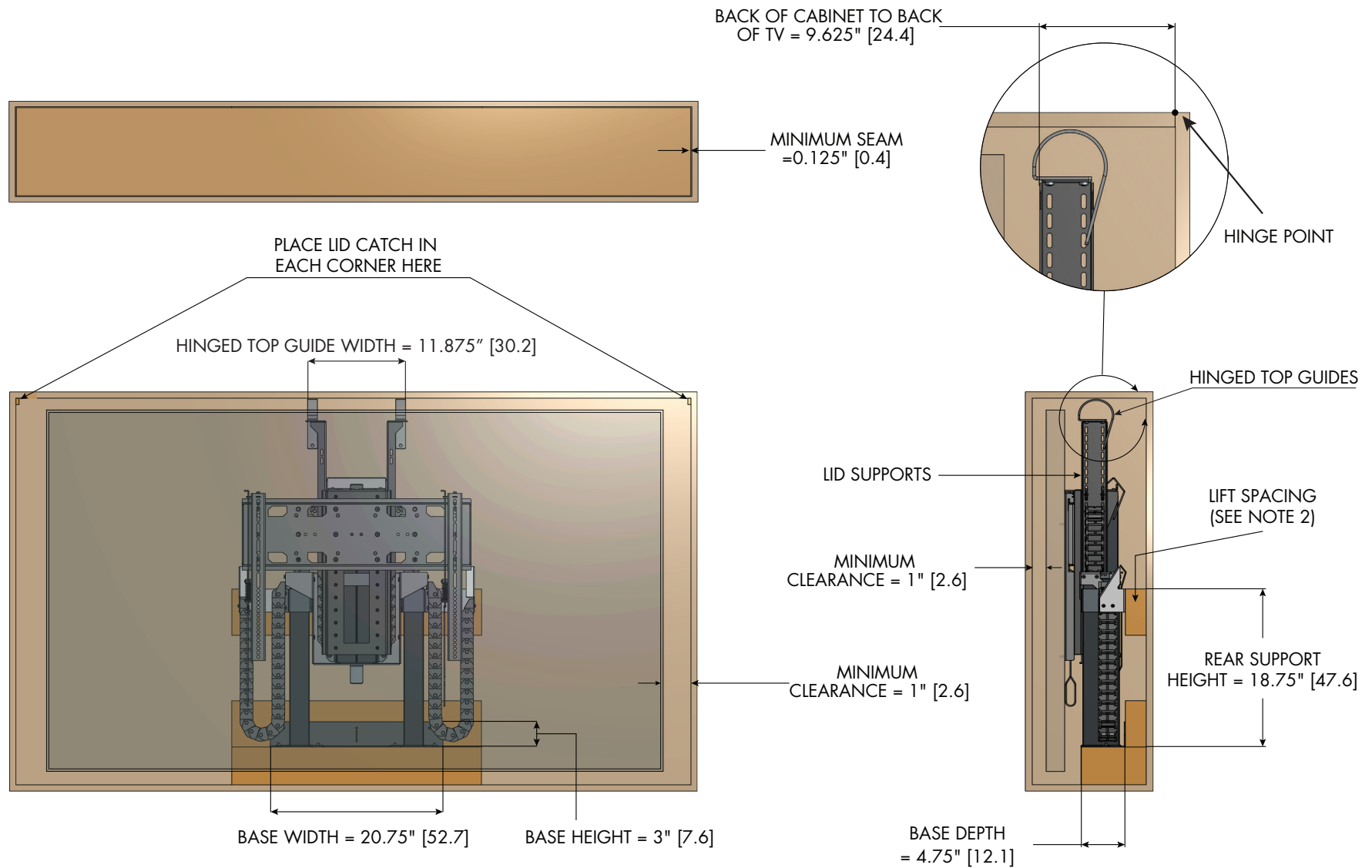
### IMPORTANT HINGED LID INFORMATION:

1. HINGED LIDS REQUIRE THE USE OF THE "HINGED TOP GUIDE" ACCESSORY
2. HINGES FOR THE LID ARE NOT PROVIDED BY NEXUS 21
3. SEE PAGE 2 OF THIS DRAWING FOR MORE DETAILED INFORMATION ABOUT THE HINGED LID

# NEXUS 21

COPYRIGHT 2020 - ALL RIGHTS RESERVED  
 UPDATED 9/2/20

# MODEL L-85 DIAGRAM WITH HINGED TOP GUIDES - CABINET REFERENCE DIMENSIONS



**NOTES:**

1. LID SUPPORTS ALLOW HINGED TOP GUIDES TO BE ADJUSTED WITHIN 0.125" [0.3] OF THE UNDERSIDE OF LID
2. THE LIFT SYSTEM MUST BE SPACED A MINIMUM OF 3" [7.6] AWAY FROM THE HINGE POINT REGARDLESS OF CABINET DEPTH
3. THE LID MUST HAVE A LID CATCH TO REST ON IN ORDER TO ENSURE IT STAYS FLUSH WITH THE SURROUNDING CABINET OR COUNTERTOP
4. MINIMUM SEAM CAN BE REDUCED TO 0.0625" [0.2] WITH A 45 DEGREE BEVEL ON THE LID

# NEXUS<sub>21</sub>

COPYRIGHT 2020 - ALL RIGHTS RESERVED  
 UPDATED 9/2/20