

MODEL L-85 DIAGRAM WITH SOUNDBAR - PRIMARY CABINET DIMENSIONS

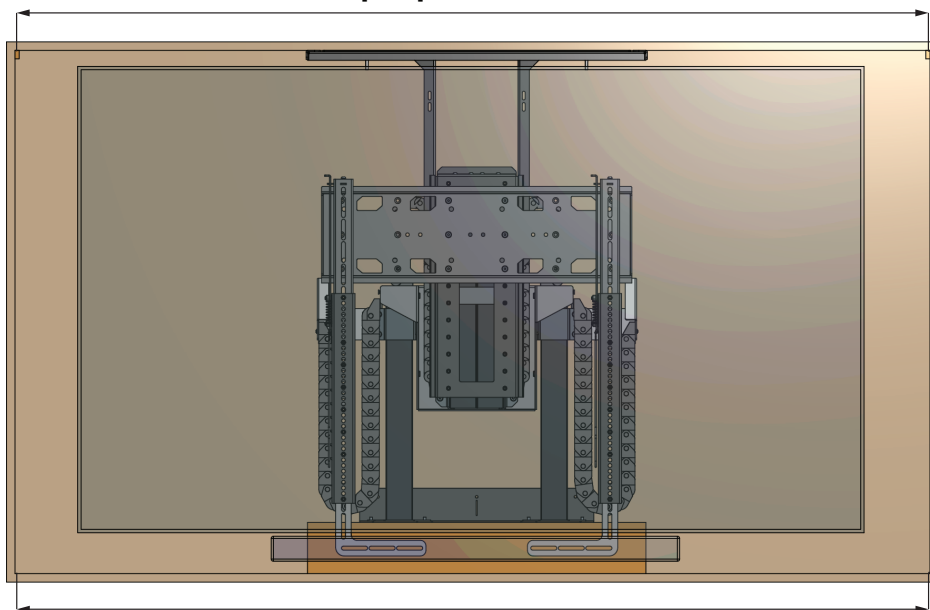
SPECIFICATIONS (CENTIMETERS ARE REPRESENTED BY [])

MAX TV SIZE : 86"
 MAX WEIGHT CAPACITY : 175 LBS [79.4 KG]
 MAX TRAVEL [EXTENSION] : 52" [132.1]
 LIFT SYSTEM HEIGHT : 32" [81.3] TO 46.5" [118.1]
 MAX TV + SOUNDBAR HEIGHT: 51" [129.5] MINUS LID THICKNESS

QUICK REFERENCE DIMENSION GUIDE (USE WHICHEVER IS GREATER)

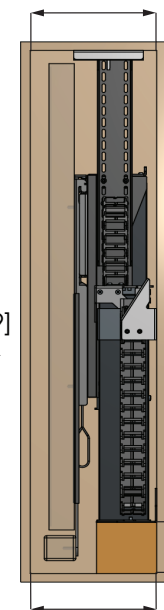
TV DIMENSIONS : W____, H____, D____
 SOUNDBAR DIMENSIONS : SW____, SH____, SD____
 MIN. INTERIOR CABINET WIDTH : W + 2" [5.1] OR SW + 2" [5.1] = ____ OR 32.5" [82.6]
 MIN. LID CUTOUT WIDTH : ____
 MIN. INTERIOR CABINET HEIGHT : H + SH + 3.5" [8.9] = ____ OR 32.125" [81.6]
 MIN. INTERIOR CABINET DEPTH : D + 7.625" [19.4] OR SD + 7.75" [19.7] = ____
 MIN. LID CUTOUT DEPTH : ____
 PLATFORM HEIGHT : INTERIOR CABINET HEIGHT MINUS 46" [116.8]

MIN. LID CUTOUT WIDTH = TV WIDTH + 2" [5.1] OR SOUNDBAR WIDTH + 2" [5.1]
 OR 32.5" [82.6] WHICHEVER IS GREATER



MIN. INTERIOR CABINET WIDTH = TV WIDTH + 2" [5.1] OR SOUNDBAR WIDTH + 2" [5.1]
 OR 32.5" [82.6] WHICHEVER IS GREATER

MIN. LID CUTOUT DEPTH =
 TV DEPTH + 7.625" [19.4] OR SOUNDBAR DEPTH + 7.75" [19.7]
 WHICHEVER IS GREATER



MIN. INTERIOR CABINET HEIGHT =
 TV HEIGHT + SOUNDBAR HEIGHT + 3.5" [8.9]
 OR 32.125" [81.6] WHICHEVER IS GREATER

PLATFORM HEIGHT =
 INTERIOR CABINET HEIGHT
 MINUS 46" [116.8]
 IF LESS THAN ZERO A
 PLATFORM IS NOT REQUIRED

MIN. INTERIOR CABINET DEPTH =
 TV DEPTH + 7.625" [19.4] OR SOUNDBAR DEPTH + 7.75" [19.7]
 WHICHEVER IS GREATER

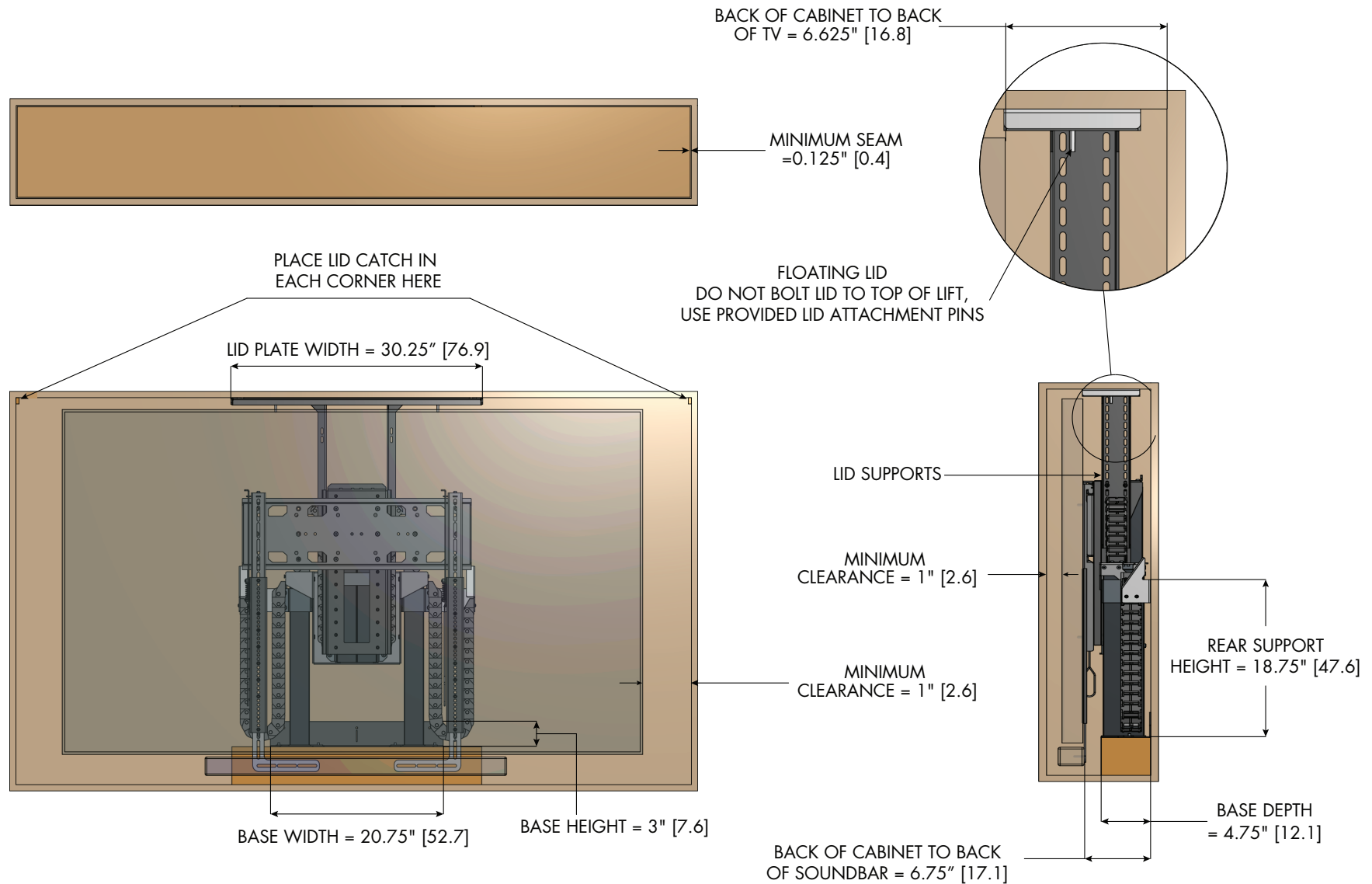
NOTES:

1. THE CABINET BOX SHOWN IN THE DIAGRAM IS FOR REFERENCE ONLY AND IS NOT PROVIDED WITH THE LIFT SYSTEM
2. WHEN DETERMINING TV HEIGHT, ALWAYS USE MANUFACTURER SUPPLIED "TV WITHOUT STAND" HEIGHT
3. LIFT MECHANISM IS POWDER COATED BLACK STEEL, COLORS IN DIAGRAM ARE FOR CLARITY ONLY
4. LIFT ENCLOSURE'S REAR PANEL SHOULD BE CONSTRUCTED TO WITHSTAND A HORIZONTAL LOAD OF 600 LBS [272.2 kg] OR MORE

NEXUS 21

COPYRIGHT 2020 - ALL RIGHTS RESERVED
 UPDATED 9/2/20

MODEL L-85 DIAGRAM WITH SOUNDBAR - CABINET REFERENCE DIMENSIONS



NOTES:

1. LID SUPPORTS ALLOW LID PLATE TO BE ADJUSTED FLUSH WITH UNDERSIDE OF LID
2. LID ATTACHMENT PINS ALLOW LID TO FLOAT WITH THE USE OF LID CATCHES
3. MINIMUM SEAM CAN BE REDUCED TO 0.0625" [0.2] WITH A 45 DEGREE BEVEL ON THE EDGES OF THE LID

NEXUS₂₁

COPYRIGHT 2020 - ALL RIGHTS RESERVED
UPDATED 9/2/20