

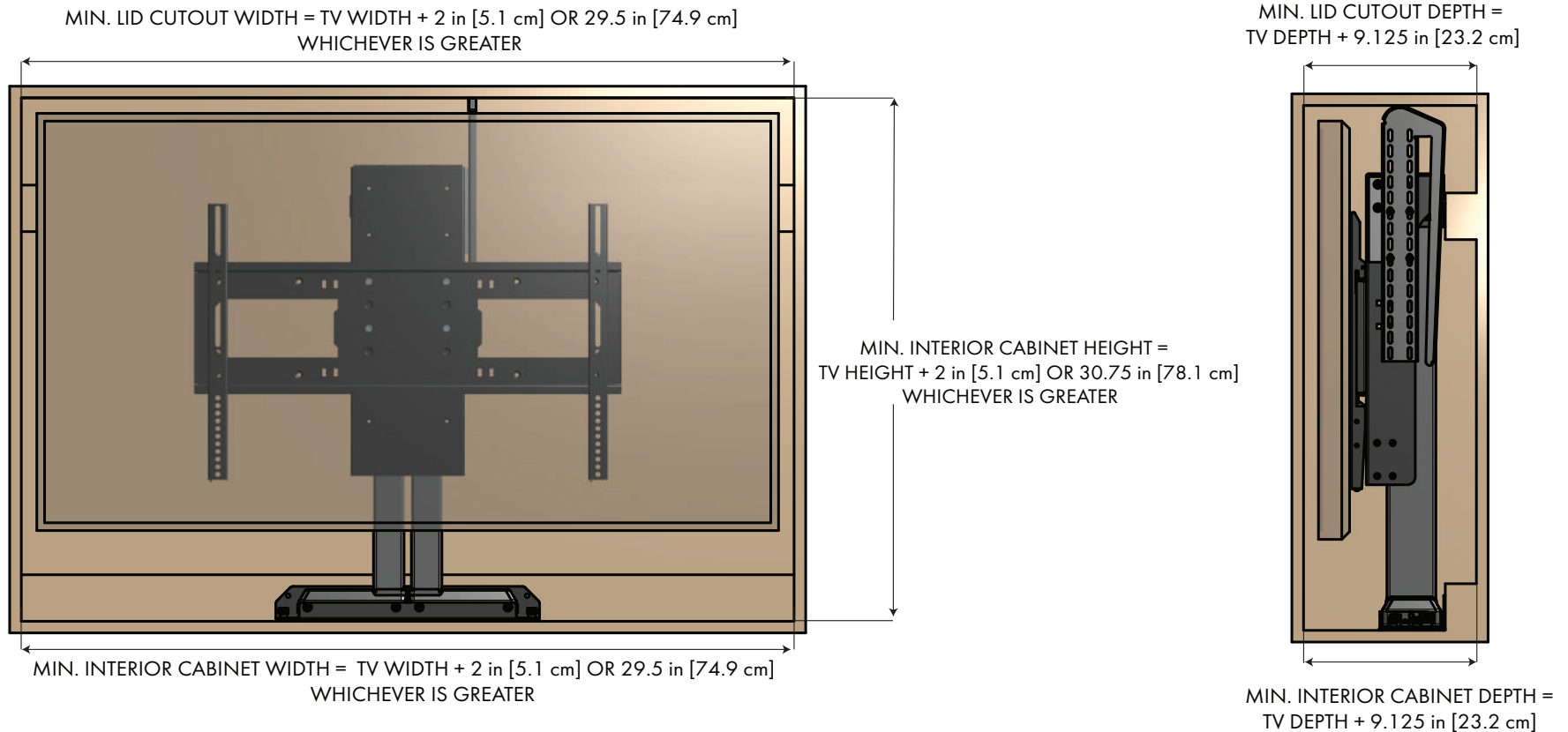
MODEL DL-65 DIAGRAM WITH HINGED TOP GUIDE - PRIMARY CABINET DIMENSIONS

SPECIFICATIONS

MAX WEIGHT CAPACITY : 175 lbs [79.4 kg]
 COMBINED WEIGHT OF THE TV, ALL ACCESSORIES, AND LID
 MAX TRAVEL [EXTENSION] : 38.5 in [97.7 cm]
 LIFT SYSTEM HEIGHT : 30.75 in [78.1 cm] TO 43.25 in [109.8 cm]
 MAX TV HEIGHT : 37.75 in [95.9 cm] MINUS LID THICKNESS

QUICK REFERENCE DIMENSION GUIDE (USE WHICHEVER IS GREATER)

TV DIMENSIONS : W____, H____, D____
 MIN. INTERIOR CABINET WIDTH : $W + 2 \text{ in } [5.1 \text{ cm}] = \text{____}$ OR 29.5 in [74.9 cm]
 MIN. LID CUTOUT WIDTH : _____
 MIN. INTERIOR CABINET HEIGHT : $H + 2 \text{ in } [5.1 \text{ cm}] = \text{____}$ OR 30.75 in [78.1 cm]
 MIN. INTERIOR CABINET DEPTH : $D + 9.125 \text{ in } [23.2 \text{ cm}] = \text{____}$
 MIN. LID CUTOUT DEPTH : _____



NOTES:

1. THE CABINET BOX SHOWN IN THE DIAGRAM IS FOR REFERENCE ONLY AND IS NOT PROVIDED WITH THE LIFT SYSTEM
2. WHEN DETERMINING TV HEIGHT, ALWAYS USE MANUFACTURER SUPPLIED "TV WITHOUT STAND" HEIGHT
3. LIFT MECHANISM IS POWDER COATED BLACK STEEL, COLORS IN DIAGRAM ARE FOR CLARITY ONLY

IMPORTANT HINGED LID INFORMATION:

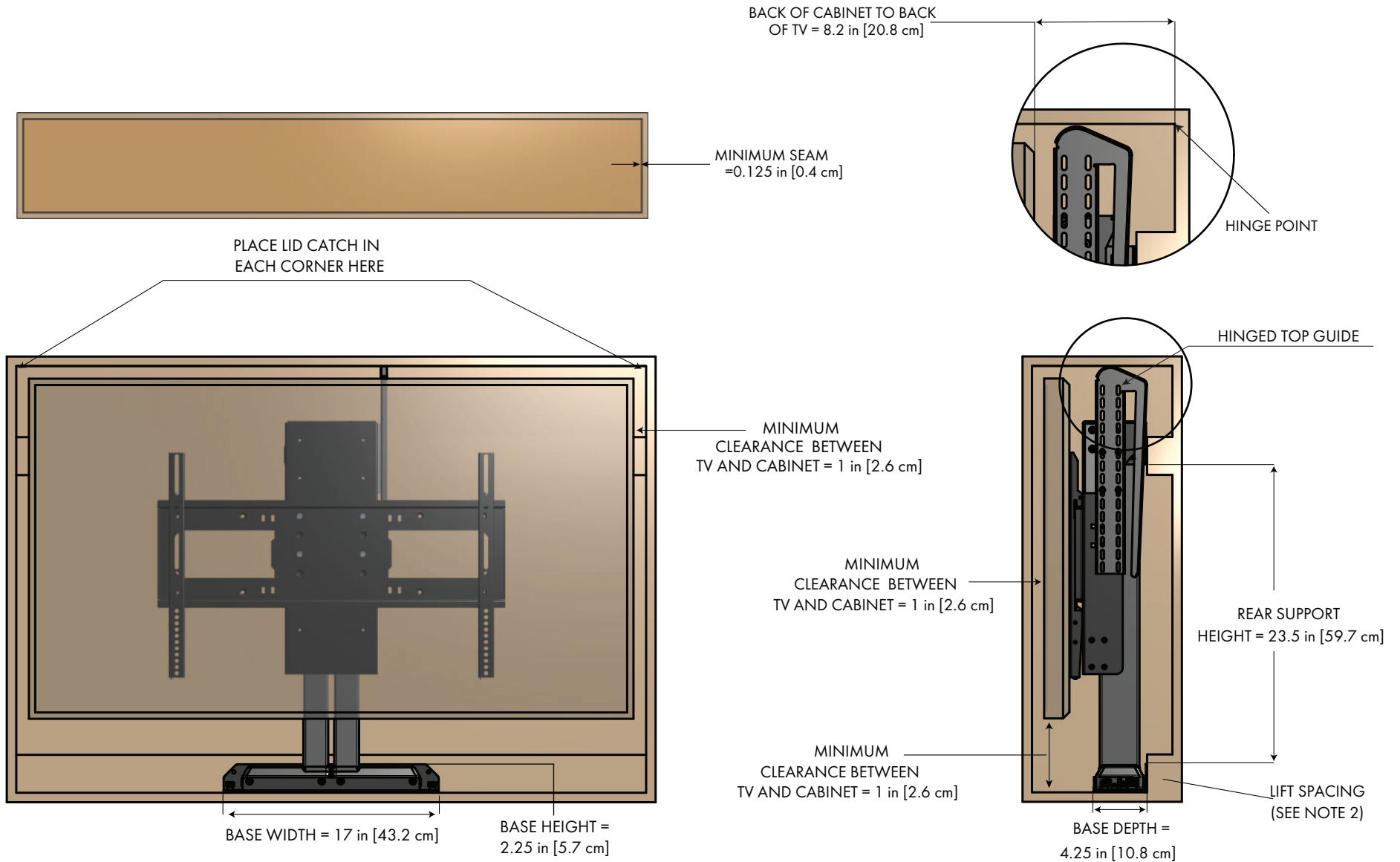
1. HINGED LIDS REQUIRE THE USE OF THE "HINGED TOP GUIDE" ACCESSORY
2. HINGES FOR THE LID ARE NOT PROVIDED BY NEXUS 21
3. SEE PAGE 2 OF THIS DRAWING FOR MORE DETAILED INFORMATION ABOUT THE HINGED LID

NEXUS 21

COPYRIGHT 2023 - ALL RIGHTS RESERVED
 UPDATED 1/4/24

MODEL DL-65 DIAGRAM

WITH HINGED TOP GUIDE - CABINET REFERENCE DIMENSIONS



NOTES:

1. HINGED TOP GUIDES CAN BE ADJUSTED WITHIN 0.125 in [0.3 cm] OF THE UNDERSIDE OF LID
2. THE LIFT SYSTEM MUST BE SPACED A MINIMUM OF 2 in [5.1 cm] AWAY FROM THE HINGE POINT REGARDLESS OF CABINET DEPTH
3. THE LID MUST HAVE A LID CATCH TO REST ON IN ORDER TO ENSURE IT STAYS FLUSH WITH THE SURROUNDING CABINET OR COUNTERTOP
4. MINIMUM SEAM CAN BE REDUCED TO 0.0625 in [0.2 cm] WITH A 45 DEGREE BEVEL ON THE LID

NEXUS₂₁

COPYRIGHT 2023 - ALL RIGHTS RESERVED
UPDATED 1/4/24