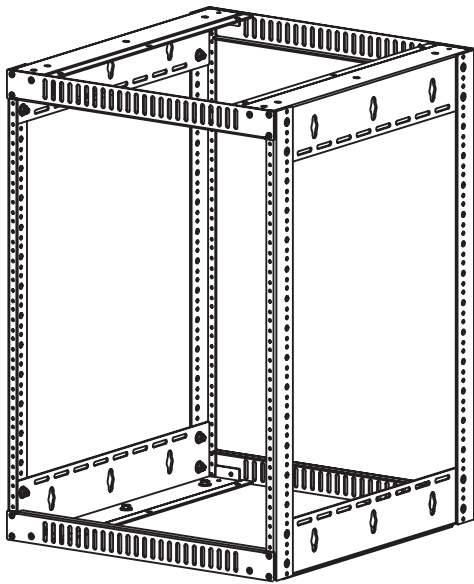


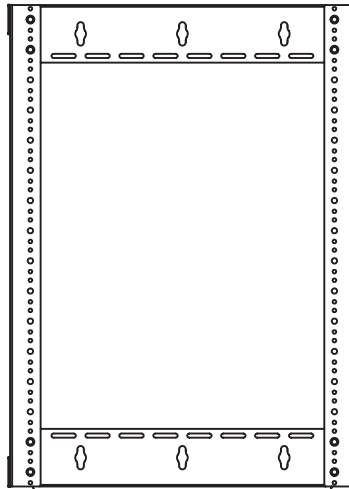


CABINET RACK DIMENSIONS

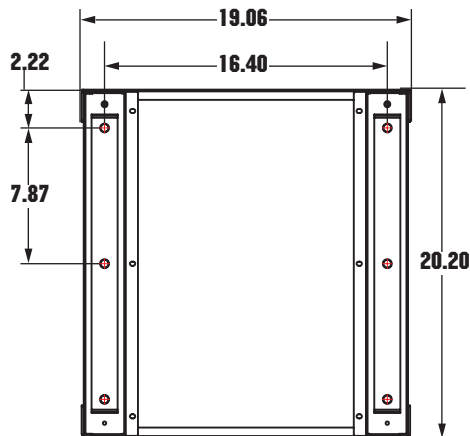
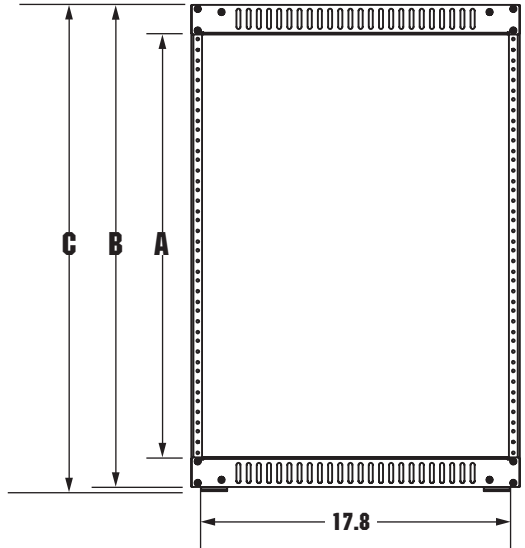
SR-CAB SERIES



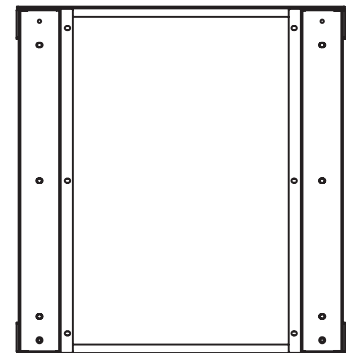
SIDE VIEW



FRONT VIEW



BOTTOM VIEW



TOP VIEW

	A	B	C	
Model #	Racking Height	Overall Height	Height (w/ Sliders)	Usable Depth
SR-CAB-8U	14.02	17.43	17.69	20"
SR-CAB-10U	17.52	20.93	21.19	20"
SR-CAB-12	21.02	24.43	24.69	20"
SR-CAB-14	24.52	27.93"	28.19	20"

NOTE: DIMENSIONS SHOWN IN INCHES

SPECIFICATIONS:

- 400 lb. max load capacity.
- Rack Tops and Bottoms: 14-gauge single sheet steel.
- Rack Rails: 11-gauge single sheet steel.
- Top and Bottom panels treated with powder-coated finish.
- Rails feature non-clogging electrocoating process for a thinner profile.
- Lifetime Warranty on all Racks and Accessories.