



engineered by
Snap
av

ASSEMBLY MANUAL

CABINET RACK

SR-CAB-8U

SR-CAB-10U

SR-CAB-12U

SR-CAB-14U

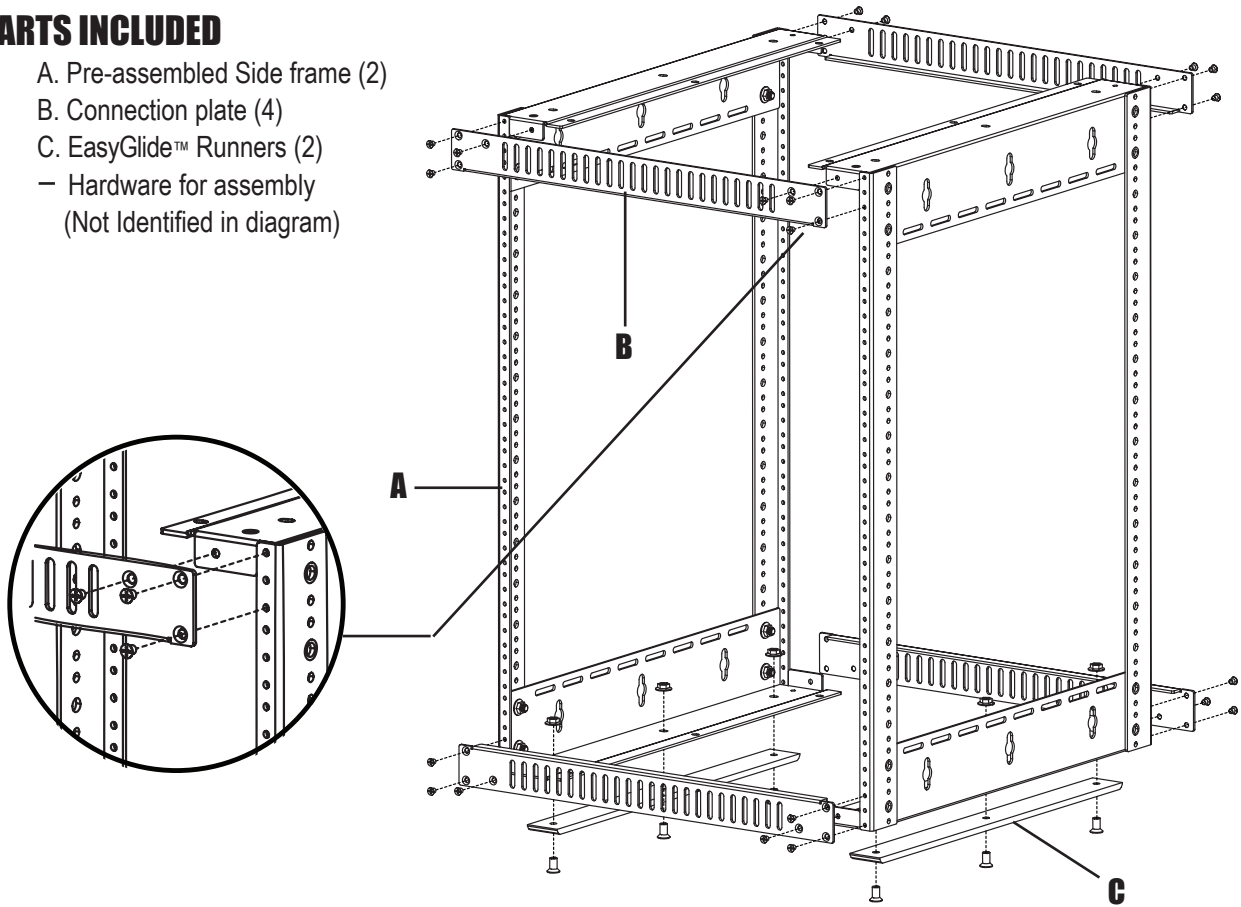


STRONG IN-CABINET RACKS

Strong™ equipment racks are available in sizes 8U to 14U, and are constructed with 11 gauge (3mm) thick rack rails and 14 gauge (2.5mm) thick top and bottom covers to provide extreme rigidity. Advanced features include: EasyGlide™ Runners to easily slide in or out of a cabinet, and E-coated rack rails to maintain clean threads.

PARTS INCLUDED

- A. Pre-assembled Side frame (2)
- B. Connection plate (4)
- C. EasyGlide™ Runners (2)
- Hardware for assembly
(Not Identified in diagram)



ASSEMBLY STEPS

Before performing the following steps, be sure to have a level surface that is large enough for the rack. Should the assembly be performed on a non-level surface, the rack will not be straight once assembled.

1. Set the two pre-assembled side frames with the rack pillars facing you on a flat surface.
2. Make sure that the distance between the two side frames is approximately 20".
3. Line up the vented connection plate with the side frames so that the screw holes line up.
4. Screw in the 3 screws on each side. Do not tighten.
5. Once all the connection plates are lined up, tighten the screws.
6. Install the EasyGlide™ Runners on the racks as shown in the above diagram.



CAUTION: This rack is intended for use only with Strong™ shelf models with a maximum combined load of 250 pounds. Use with heavier than the maximum load indicated may result in instability causing possible injury.

RACK SLIDE INSTALLATION

An optional rack slide (SR-RACKSLIDE-300) is available to install with the In-Cabinet Racks in cabinetry or wall applications, allowing the option to pull out and rotate the rack.

ACCESSORY INSTALLATION

- Determine the layout of the components, their space requirements, and where the vents and blanks will be placed.
- Unbox the first shelf, starting with the one that will be placed at the bottom of the rack. The heaviest components should be placed as low as possible.
- Unfold shelf side panels and mount in desired rack location using four Strong™ rack screws. Accessory mounting screws are not included with shelves, vents or blanks (only with racks).
- Install component onto shelf.
- Unbox and install the next shelf, vent or blank following the above steps.

A vent should be placed above components that generate excessive heat, such as surround receivers, amplifiers, satellite receivers, DVR's, cable boxes and media servers.

RACK SCREWS

Screws are not included with Strong™ rack accessories, but extra screws are available (SR-SCREWS-200JAR) for purchase. One no-roll jar includes 200 black 10/32 screws featuring #2 Phillips heads and captive nylon washers.

LIFETIME LIMITED WARRANTY



All Strong™ products have a Lifetime Limited Warranty. This warranty includes parts and labor repairs on all components found to be defective in material or workmanship under normal conditions of use. This warranty shall not apply to products which have been abused, modified or disassembled. Products to be repaired under this warranty must be returned to SnapAV or a designated service center with prior notification and an assigned return authorization number (RA).

For Technical Support : 1.866.838.5052



engineered by
Snap_{av} 