

**Evolve™ Hybrid Rack System**  
**Adjustable Height Shelving Rack**

SR-EHR-SYSTEM-1015, SR-EHR-SYSTEM-1624



**Package Contents**

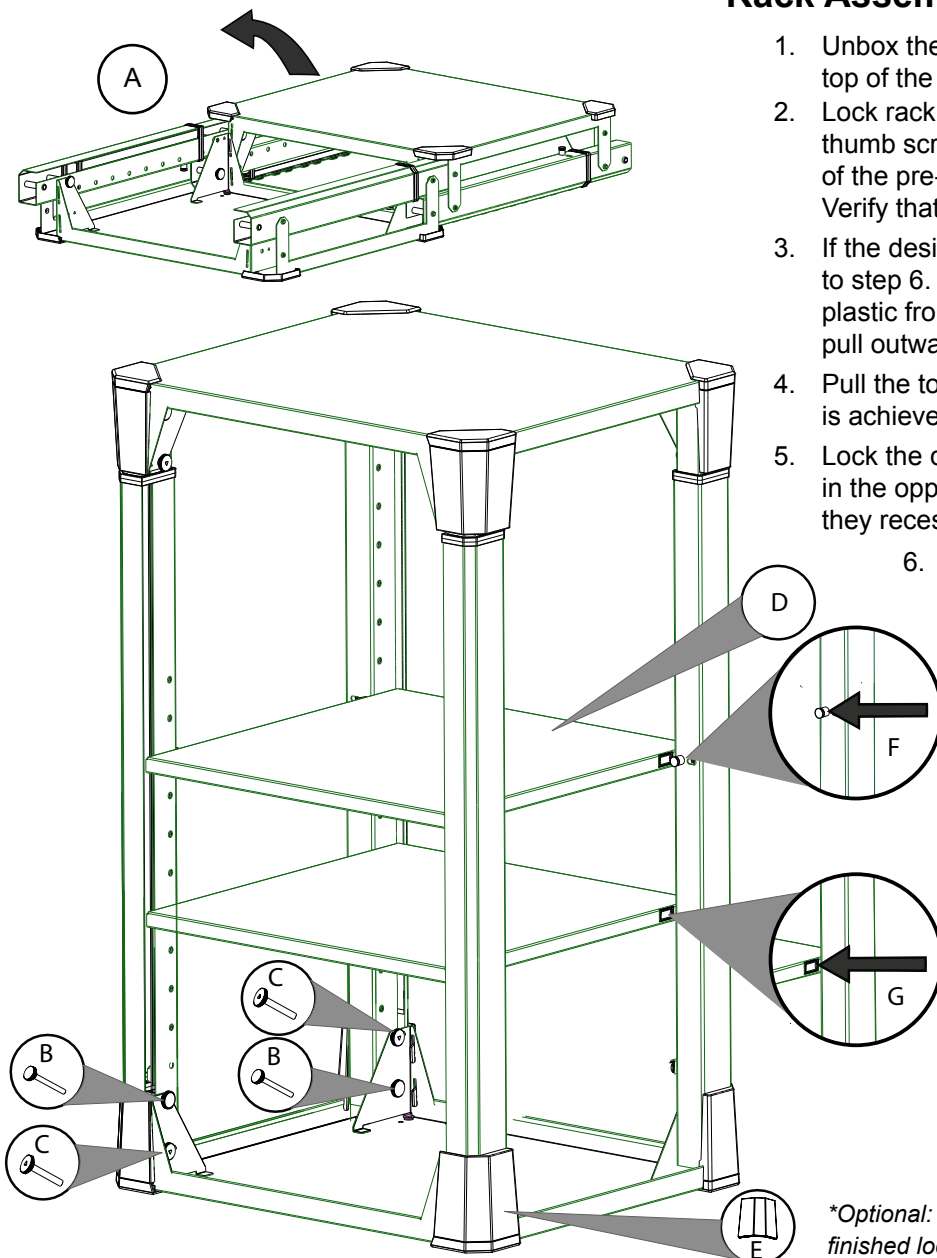
- A Collapsed Rack (x1)
- B Pre-installed Pivot Screws (x8)
- C Triangle Thumb Screws (x8)
- D Shelves (quantity varies per size)
- E Optional Corner Covers (x8)
- F Pre-installed Quarter Turn Lock Pin
- G Pre-installed Gray Shelf Release Button
- H #10-32 x 3/8" with Nylon Washers (x18: 10-15U model) (x36:16-24U model)
- I Allen Key (not shown)

**Key Features**

- Rack height adjustable from 10-15U or 16-24U
- No tools required
- EZ Glide runners (for ease of mobility)
- Easy to reverse or flip over if rack-mounted gear is preferred to be on top, bottom, rear, or front
- Shelves with Quick Adjust Technology

**Rack Assembly**

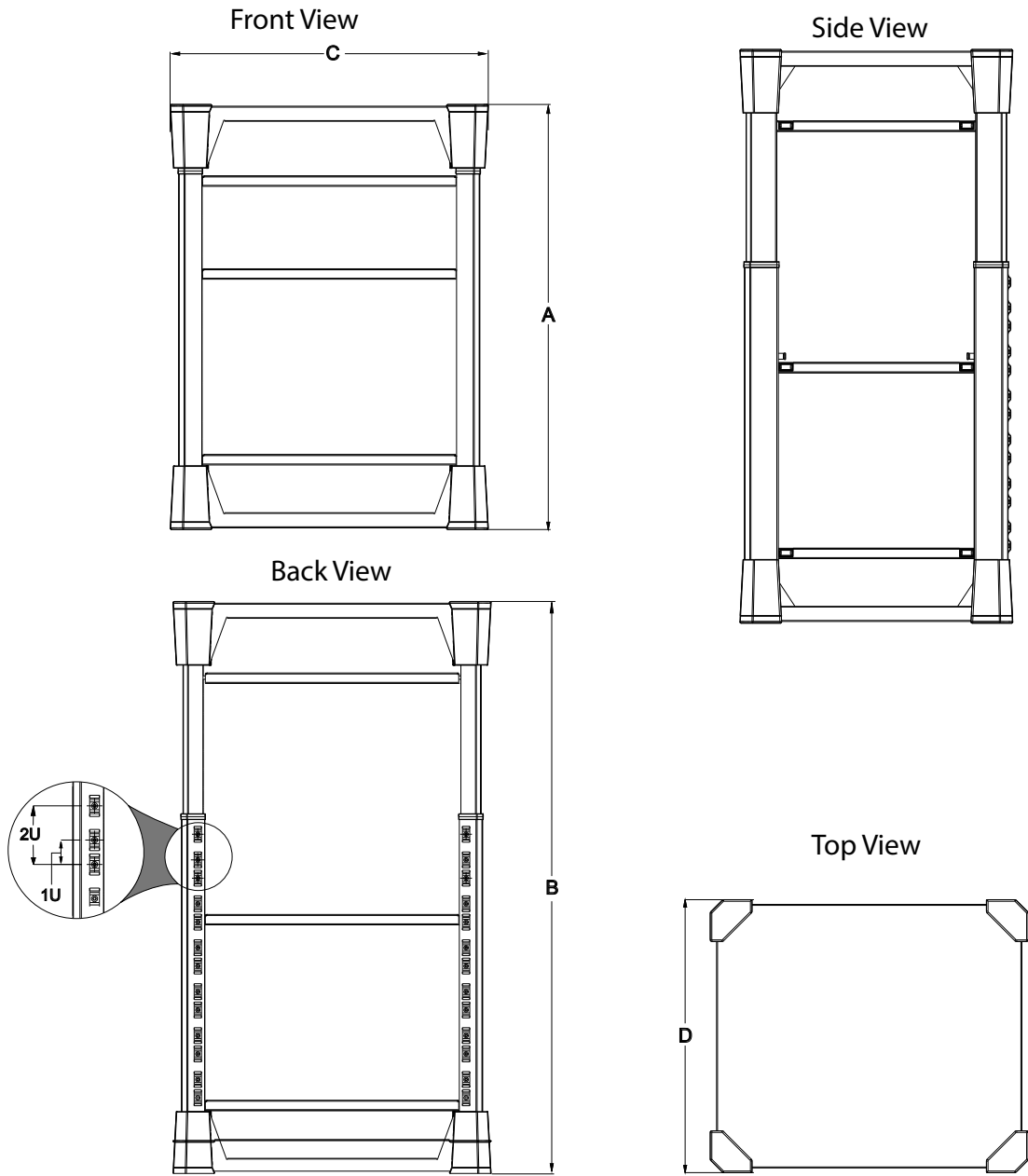
1. Unbox the rack and lay it flat on the floor. Pull the top of the rack so that the pillars are upright.
2. Lock rack in upright position by inserting triangle thumb screws (C) into the open positions opposite of the pre-installed pivot screws (B). See diagram. Verify that all screws (B, C) are tight and secure.
3. If the desired height is already achieved, proceed to step 6. If more height is desired, remove the plastic from the four quarter turn lock pins (F), and pull outward, turning a quarter-turn to unlock them.
4. Pull the top directly upward until the desired height is achieved.
5. Lock the quarter turn lock pins (F) by turning them in the opposite direction and releasing them so that they recess back into the pin housing.
6. Flip or turn the rack to achieve the desired orientation; whether that means the rack-mounted gear goes in front, back, top or bottom.
7. While depressing the shelf release buttons (G), slide stationary pins into desired shelf locations and rotate the shelf into place. Release buttons (G) and ensure shelf is locked into place and level.
8. Place/mount all desired equipment on the rack. \*



\*Optional: Place Corner Covers (E) on if a more finished look is desired.

Product Data Sheet

**Evolve™ Hybrid Rack System**  
**Adjustable Height Shelving Rack**



Product	Construction	Rack Spacing Options*		Shelves	A - Minimum Height	B - Maximum Height	C - Width	D - Depth	Max Load Capacity
		1U	2U						
SR-EHR-SYSTEM-1015	Steel with Deep Black Powder Coat	4	3	2	22.85"	31.6"	21.71"	18.64"	400 lbs
SR-EHR-SYSTEM-1624		9	6	3	36.85"	50.85"			

\*Varies by install depending on placement of 1U & 2U spaced components.



**Lifetime Limited Warranty**

All Strong™ products have a Lifetime Limited Warranty. This warranty includes parts and labor repairs on all components found to be defective in material or workmanship under normal conditions of use. This warranty shall not apply to products that have been abused, modified, or disassembled. Products to be repaired under this warranty must be returned to SnapAV or a designated service center with prior notification and an assigned return authorization number (RA).

For Technical Support: 1.866.838.5052