
Table of Contents

Strong Projector Mount (SM-PROJ2-L)	2
Other Components Required for Installation (separate purchase; not included)	3
Specifications	3
Loosen the pole set screws	4
Remove the pole mounting assembly	5
Attach the pole mounting assembly to the pole	6
Secure the pole mounting assembly	7
Prepare the mounting arm assembly	8
Attach the projector to the mounting arm assembly	9
Center the assembly	10
Attach the projector	11
Adjust rotation	12
Adjust pitch	13
Adjust roll	14
Technical Support	15
Warranty and Legal Notices	15

Strong Projector Mount (SM-PROJ2-L)

We highly recommend this product be installed by a qualified professional.

Do not begin installation until you have thoroughly read and understand these instructions.

This mount supports projectors with a maximum load of 75 lbs (34 kg).

Ensure the ceiling will safely support four times the combined weight of the mount and projector.

Under no circumstances should this product be mounted to metal studs.

The manufacturer does not accept responsibility for incorrect installation.

- 1 × Projector mount
- 1 × Pole mounting set screw
- 1 × 3mm hex wrench
- 1 × 4mm hex wrench
- 4 × M4×10 slotted Phillips screws
- 4 × M4×15 slotted Phillips screws
- 4 × M4×25 slotted Phillips screws
- 4 × M5×8 slotted Phillips screws
- 4 × M5×10 slotted Phillips screws
- 4 × M5×15 slotted Phillips screws
- 4 × M5×20 slotted Phillips screws
- 4 × M6×10 slotted Phillips screws
- 4 × M6×20 slotted Phillips screws
- 4 × M6×25 slotted Phillips screws
- 4 × Spacers
- 4 × D3 washers

- 4 × D4 washers
- 4 × D5 washers
- 4 × D6 washers

Other Components Required for Installation (separate purchase; not included)

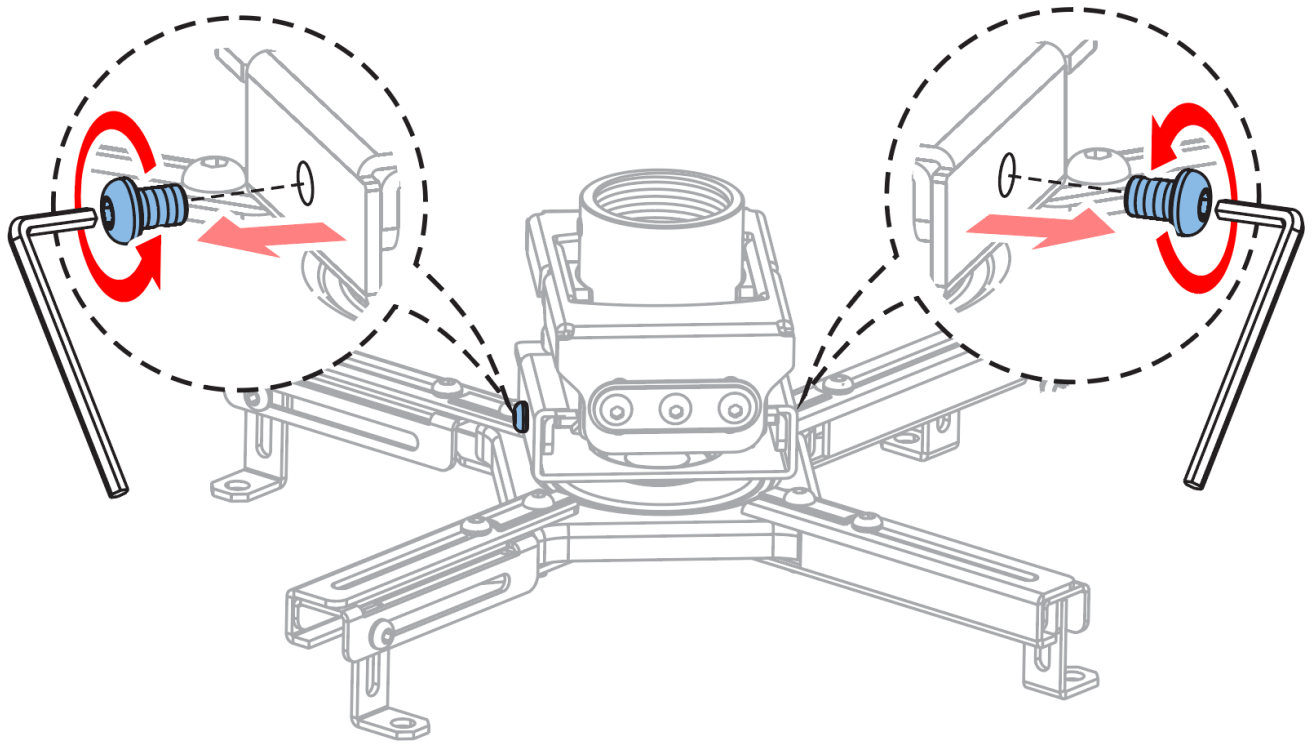
1.5" NPT pole and ceiling bracket (appropriate to the task and already installed at the location), for example:

- SM-FIXPOLE-3-BLK
- SM-CB-CM-SPLT-6-BLK

Phillips screwdriver

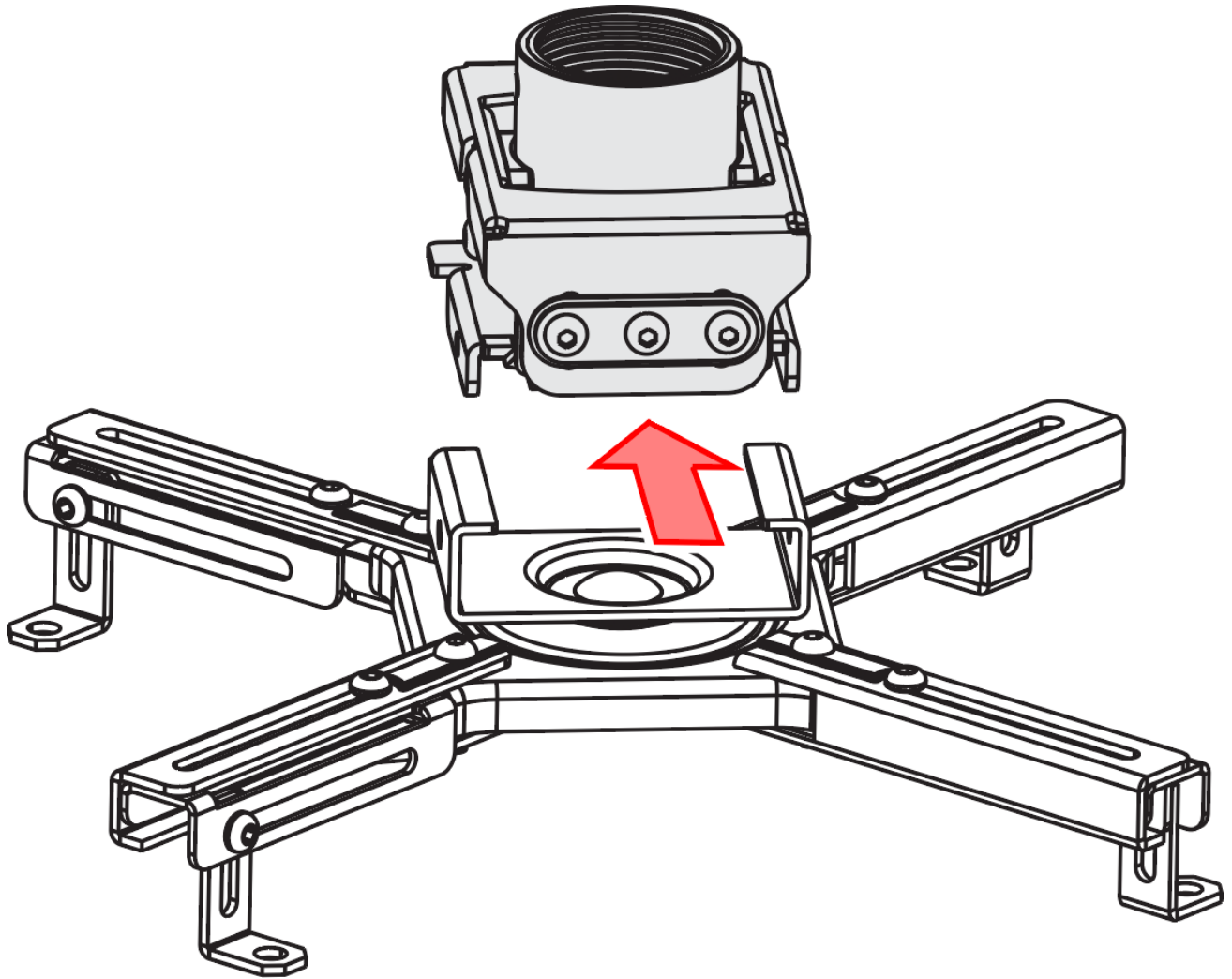
Specifications

- Maximum load: 75 lbs (34 kg)
- Tilt: $\pm 20^\circ$
- Roll: $\pm 8^\circ$
- Rotation: $\pm 180^\circ$



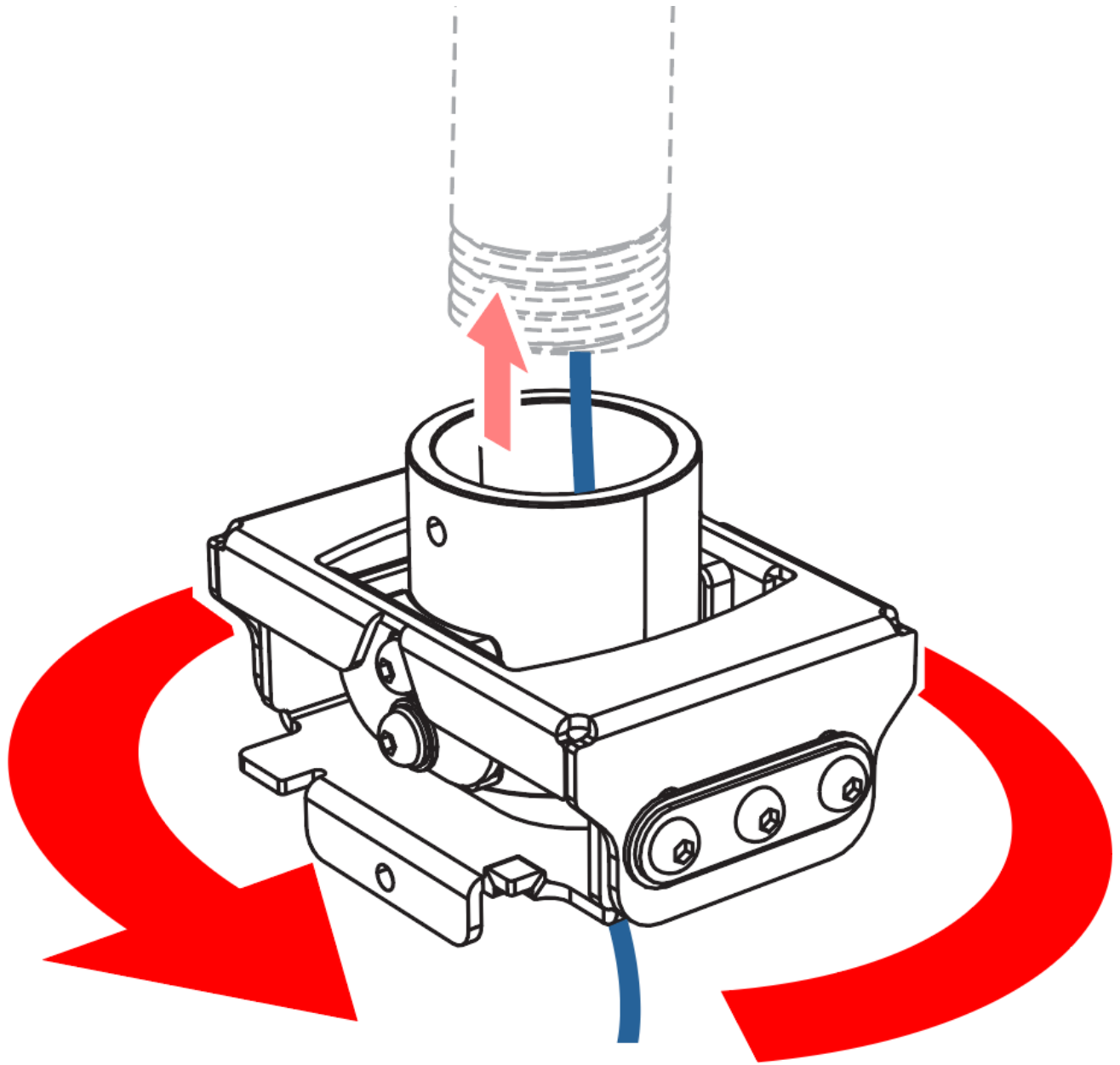
Loosen the pole set screws

Loosen the two set screws on the sides of the mounting arm assembly using the provided 4mm hex wrench.



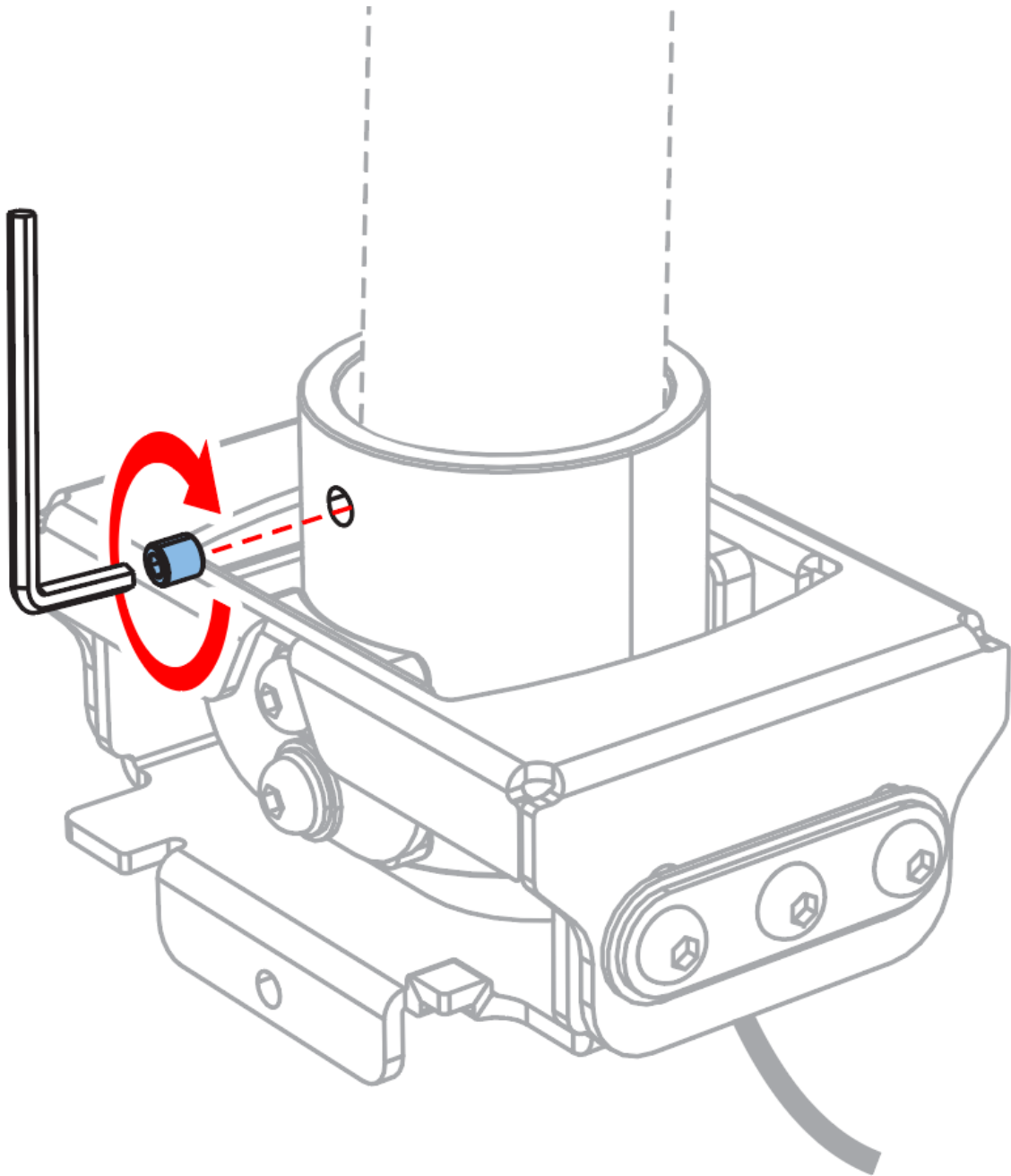
Remove the pole mounting assembly

Slide the pole mounting assembly to remove it from the mounting arm assembly.



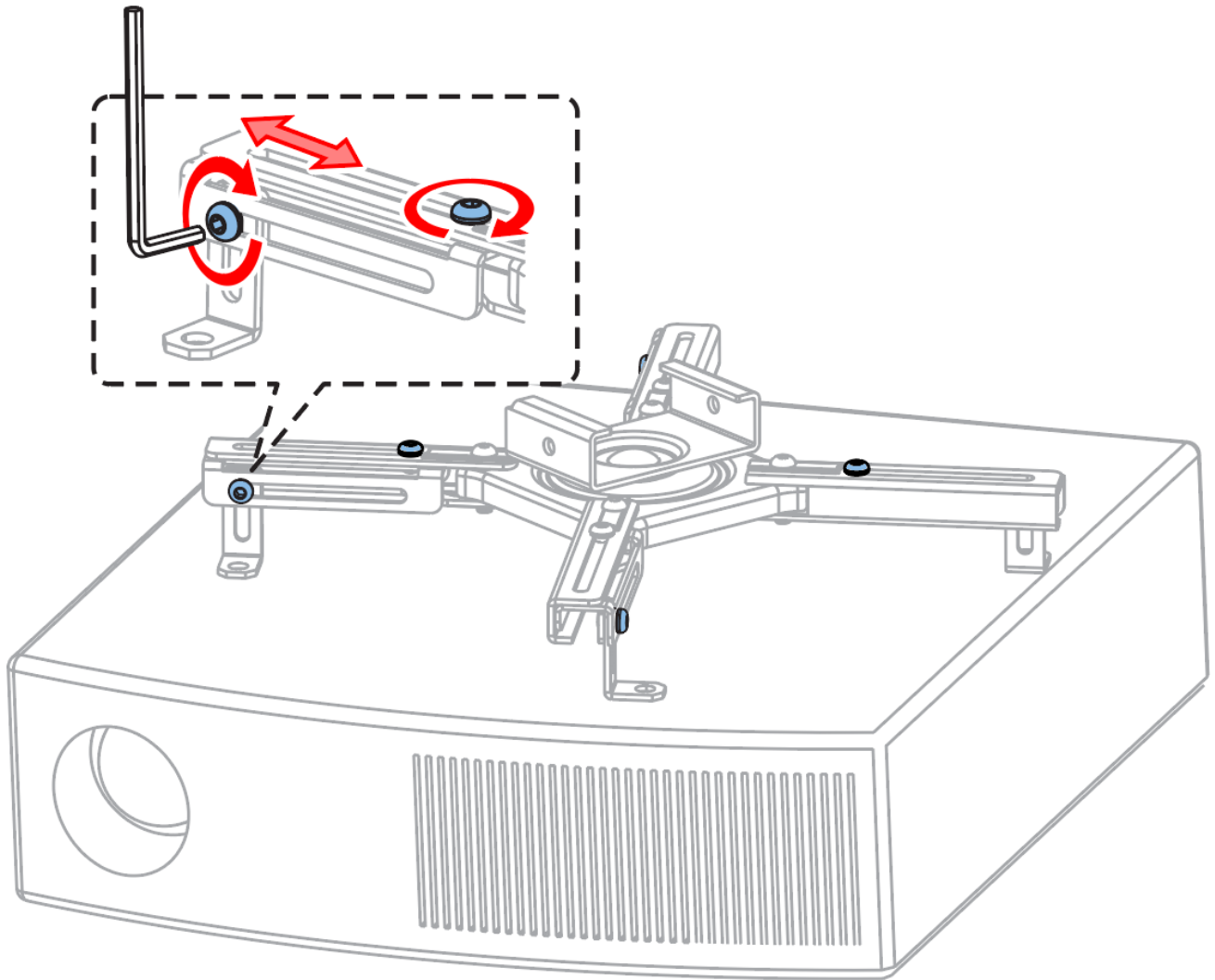
Attach the pole mounting assembly to the pole

The pole (purchased separately) must already be installed. Thread the wire(s) through the pole mounting assembly. Screw the pole mounting assembly onto the pole.



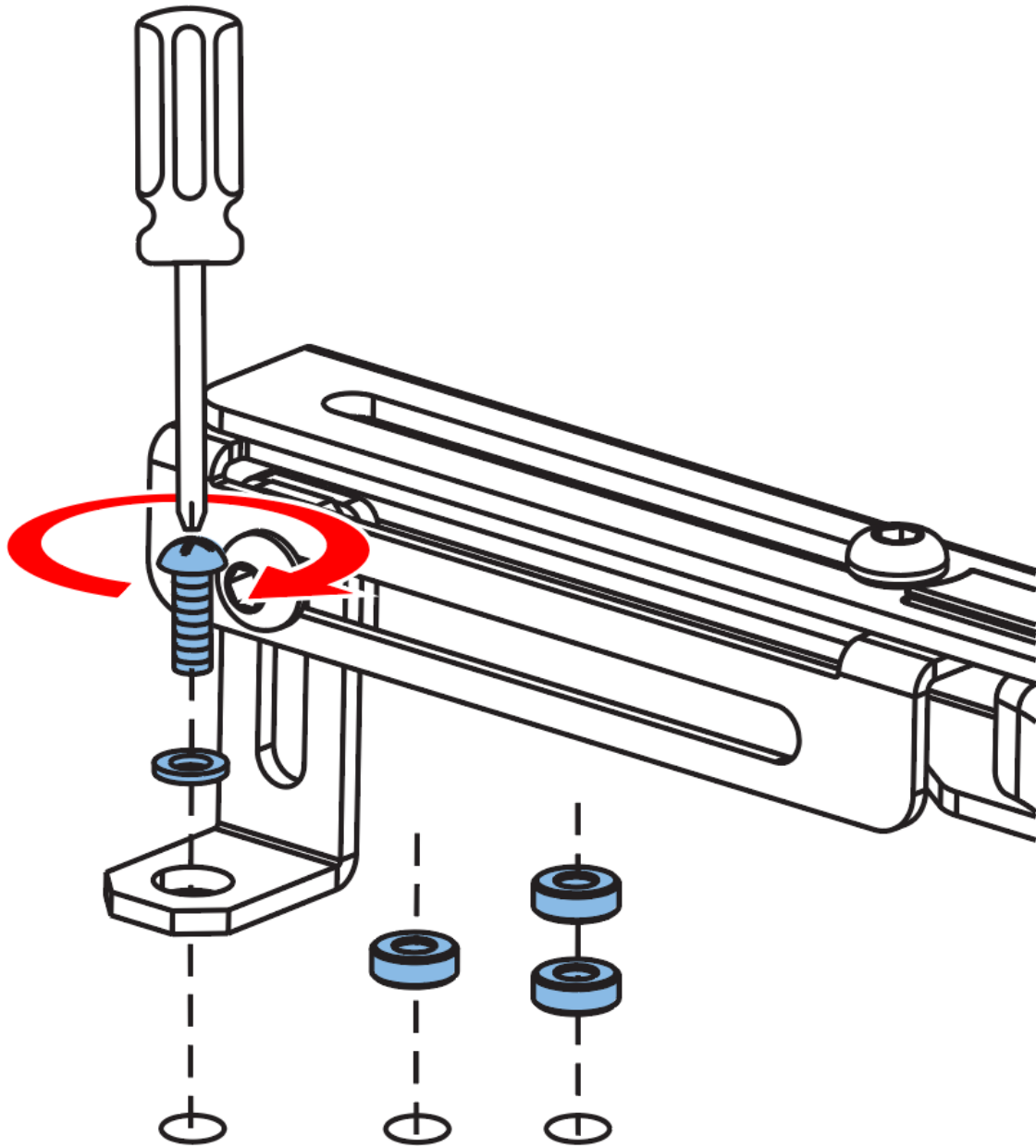
Secure the pole mounting assembly

Secure the pole mounting assembly by tightening the set screw with the 3mm hex wrench. Do not overtighten the set screw.



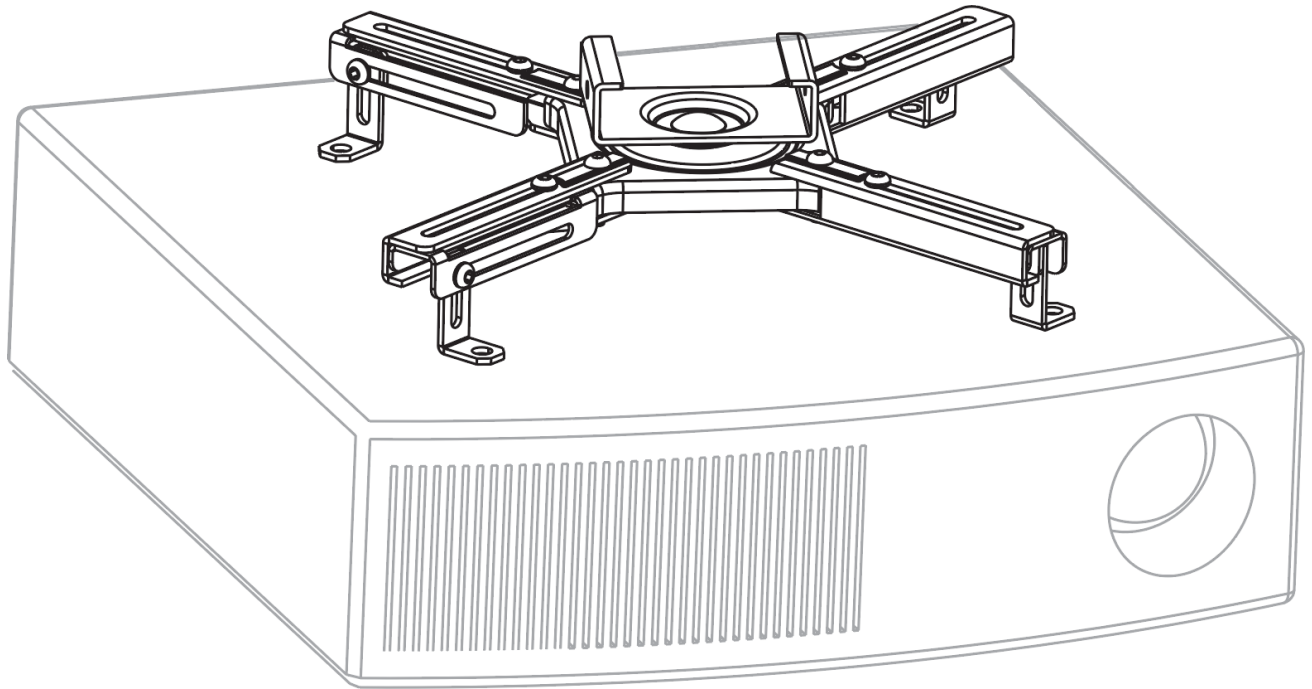
Prepare the mounting arm assembly

Using the 4mm hex wrench, loosen the mounting arm set screws. Slide the arm extensions in or out so that the arm lengths match the mounting pattern on the projector.



Attach the projector to the mounting arm assembly

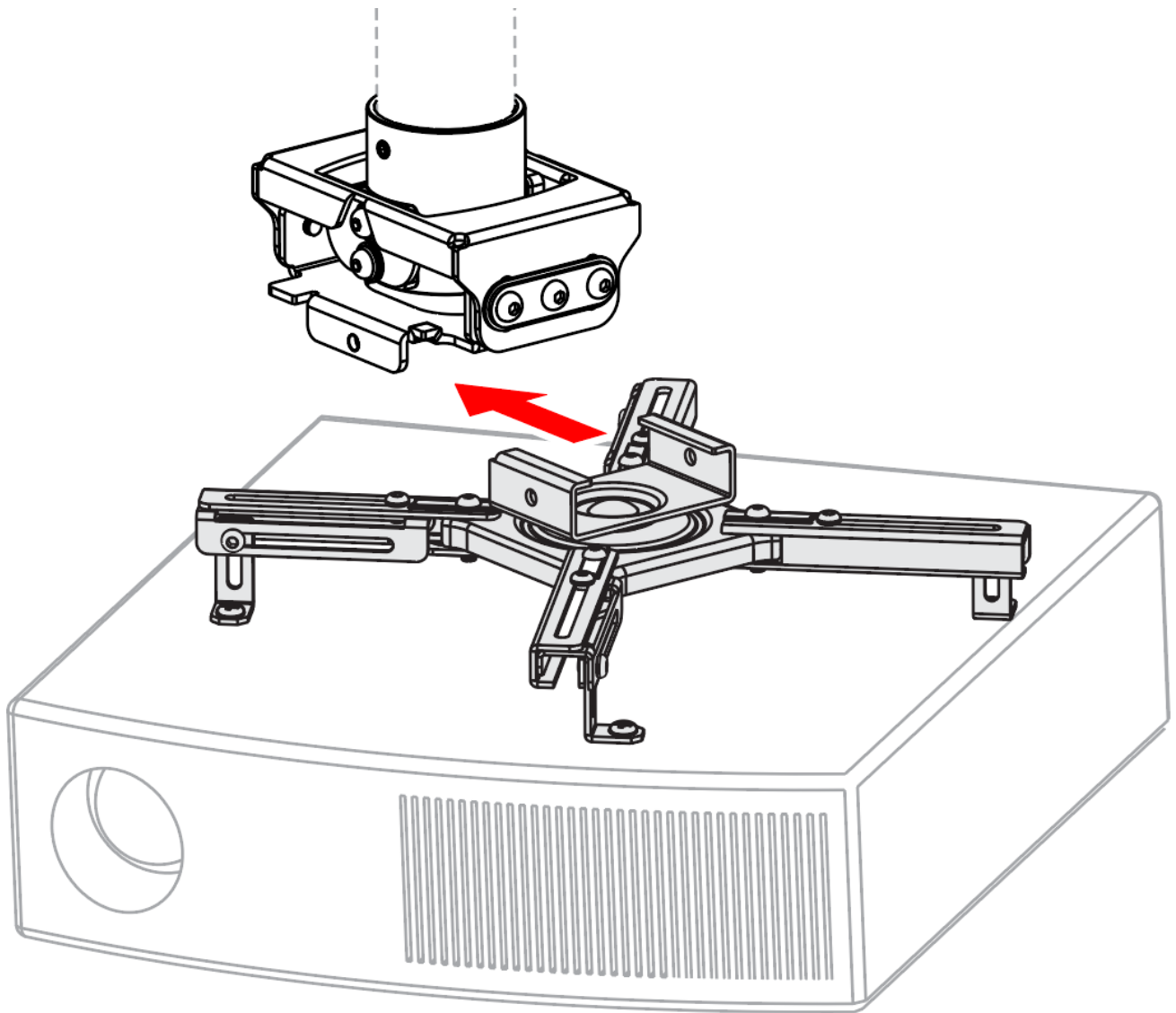
Secure the arms to the projector using the appropriately sized mounting screws, washers and spacers (if needed). Hand tighten only; do not overtighten. You may need to adjust the arm angle by loosening the arm screws closest to the center.



Center the assembly

Center the mounting arm assembly on the projector to distribute the weight evenly among its four arms.

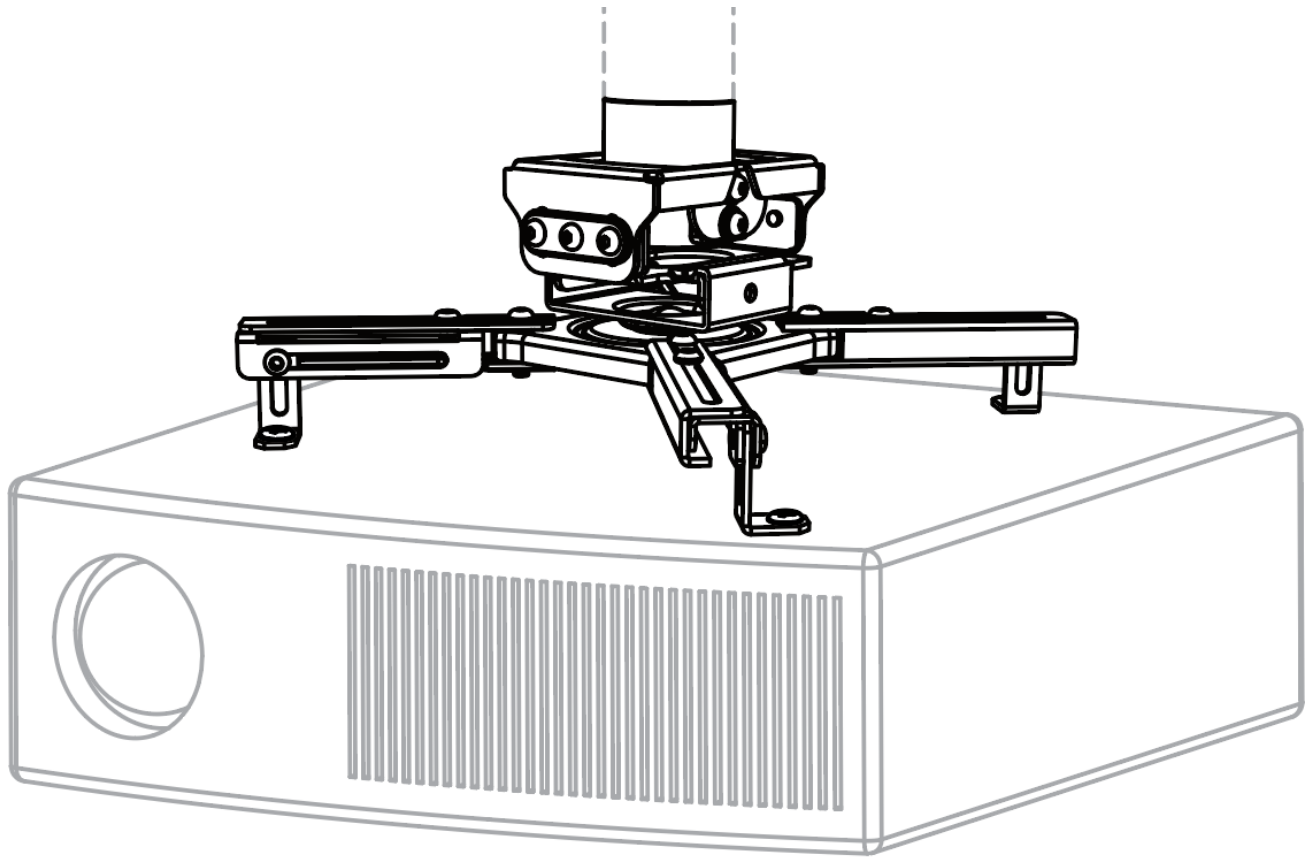
Tighten the set screws on all four arms. Hand tighten only; do not overtighten.



Attach the projector

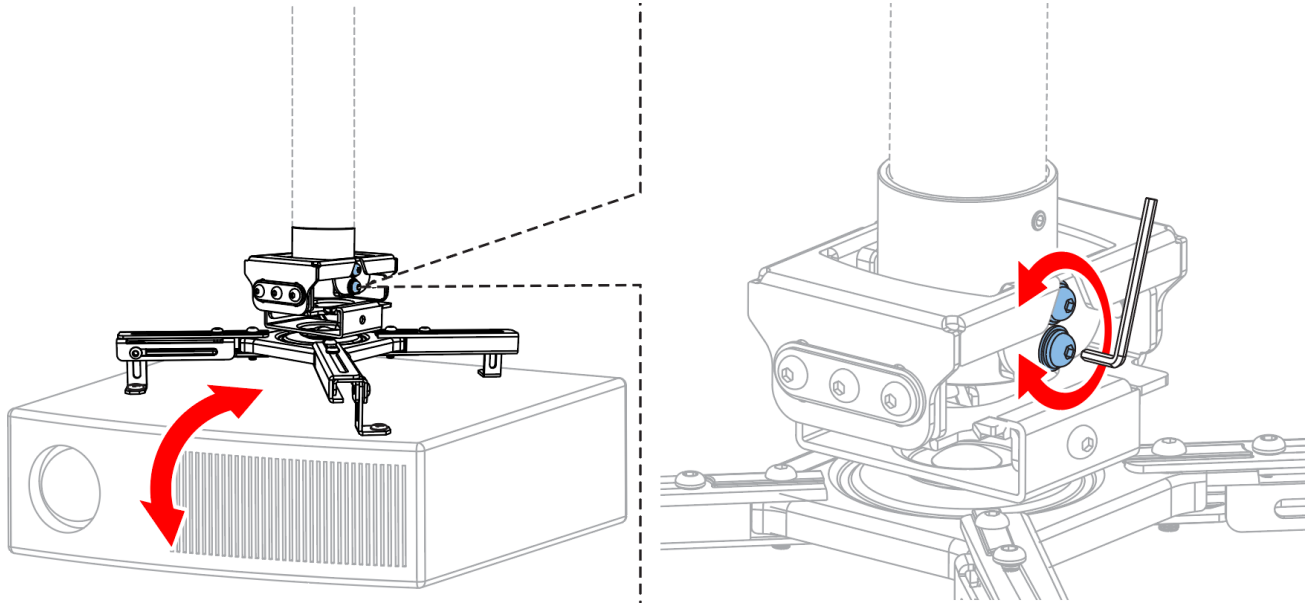
Attach the secured projector and mounting arm assembly to the pole mounting assembly by sliding the hooked bracket back over the mounting plate. Team lift only. Secure using the two set screws.

Hand tighten only; do not overtighten.



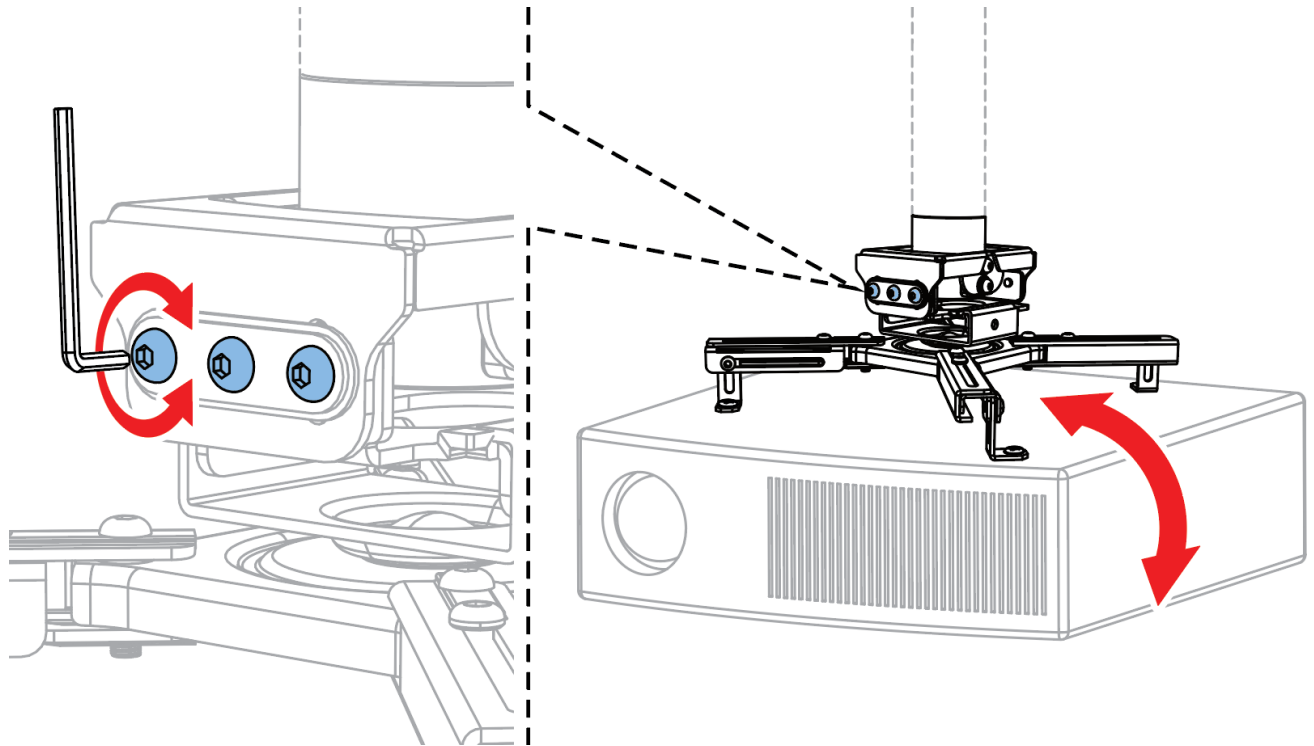
Adjust rotation

Adjust the rotation using the 3mm hex wrench on the set screw (see step 2) on the detachable pole mounting assembly.



Adjust pitch

Adjust the pitch by using the 4mm hex wrench on the detachable pole mounting assembly vertical set screws. Hand tighten only; do not overtighten.



Adjust roll

Adjust the roll using the 4mm hex wrench on the detachable pole mounting assembly horizontal set screws.

Technical Support

For chat and telephone, visit snp1.co/techsupport • Email: TechSupport@SnapOne.com. Visit snp1.co/tc for discussions, instructional videos, news, and more.

Warranty and Legal Notices

Find details of the product's Limited Warranty and other resources such as regulatory notices and patent and safety information, at snapone.com/legal or request a paper copy from Customer Service at **866.424.4489**.

Copyright © 2023, Snap One, LLC. All rights reserved. Snap One and its respective logos are registered trademarks or trademarks of Snap One, LLC (formerly known as Wirepath Home Systems, LLC), in the United States and/or other countries. 4Store, 4Sight, Control4, Control4 My Home, SnapAV, Araknis Networks, BakPak, Binary, Dragonfly, Episode, Luma, Mockupancy, Nearus, NEEO, Optiview, OvrC, Pakedge, Sense, Strong, Strong Evolve, Strong VersaBox, SunBriteDS, SunBriteTV, Triad, Truvision, Visualint, WattBox, Wirepath, and Wirepath ONE are also registered trademarks or trademarks of Snap One, LLC. Other names and brands may be claimed as the property of their respective owners. Snap One makes no claim that the information contained herein covers all installation scenarios and contingencies, or product use risks. Information within this specification subject to change without notice.

230607

200-00996